

US00D605571S

(12) **United States Design Patent**
Skonecki, III

(10) **Patent No.:** **US D605,571 S**

(45) **Date of Patent:** **** Dec. 8, 2009**

(54) **VEHICULAR COWLING AND FUEL TANK ASSEMBLY**

(75) Inventor: **Joseph J. Skonecki, III**, Toledo, OH (US)

(73) Assignee: **Brimstone Cycles, LLC**, Toledo, OH (US)

(**) Term: **14 Years**

(21) Appl. No.: **29/332,078**

(22) Filed: **Feb. 7, 2009**

(51) **LOC (9) Cl.** **12-11**

(52) **U.S. Cl.** **D12/186**

(58) **Field of Classification Search** D12/110,
D12/88-92, 89.1, 90, 107, 218, 114, 126,
D12/182-186; 280/833-835; 180/219, 220,
180/69.4; 297/181.1, 181.4, 181, 217.1,
297/77.1, 78.1, 185; 296/188.01, 195.1,
296/217.1

See application file for complete search history.

(56) **References Cited**

U.S. PATENT DOCUMENTS

D238,158 S * 12/1975 Mitchell et al. D12/110

D396,024 S * 7/1998 Gorham D12/117
D396,433 S * 7/1998 Belker et al. D12/110
2009/0133948 A1 * 5/2009 Ijaz et al. 180/69.4

* cited by examiner

Primary Examiner—Joel Sincavage

Assistant Examiner—Linda G. Brooks

(74) *Attorney, Agent, or Firm*—MacMillan, Sobanski & Todd, LLC

(57) **CLAIM**

The ornamental design for a vehicular cowling and fuel tank assembly, as shown and described.

DESCRIPTION

FIG. 1 is a perspective view of a vehicular cowling and fuel tank assembly according to the design;

FIG. 2 is a front elevational view thereof;

FIG. 3 is a left side view thereof;

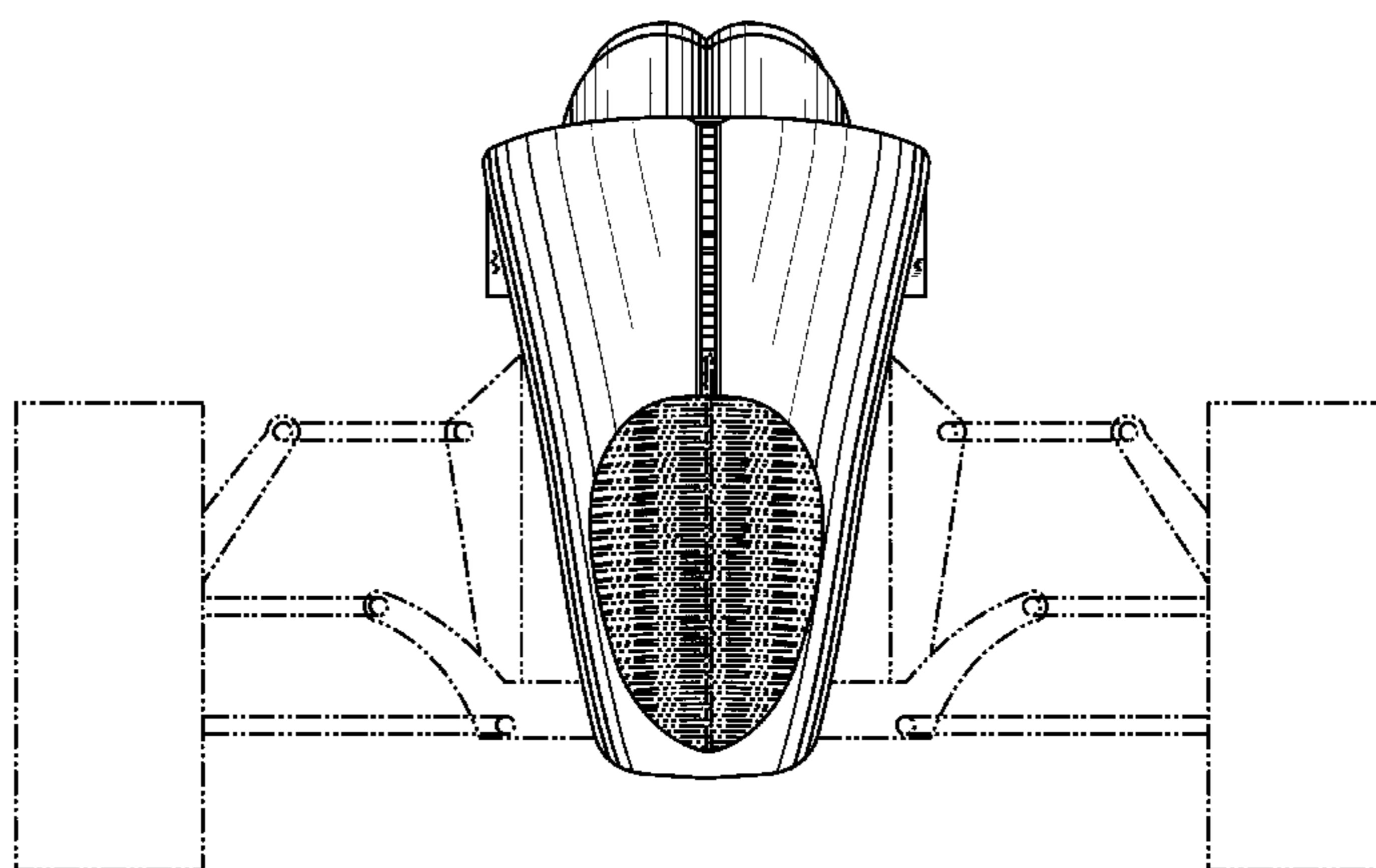
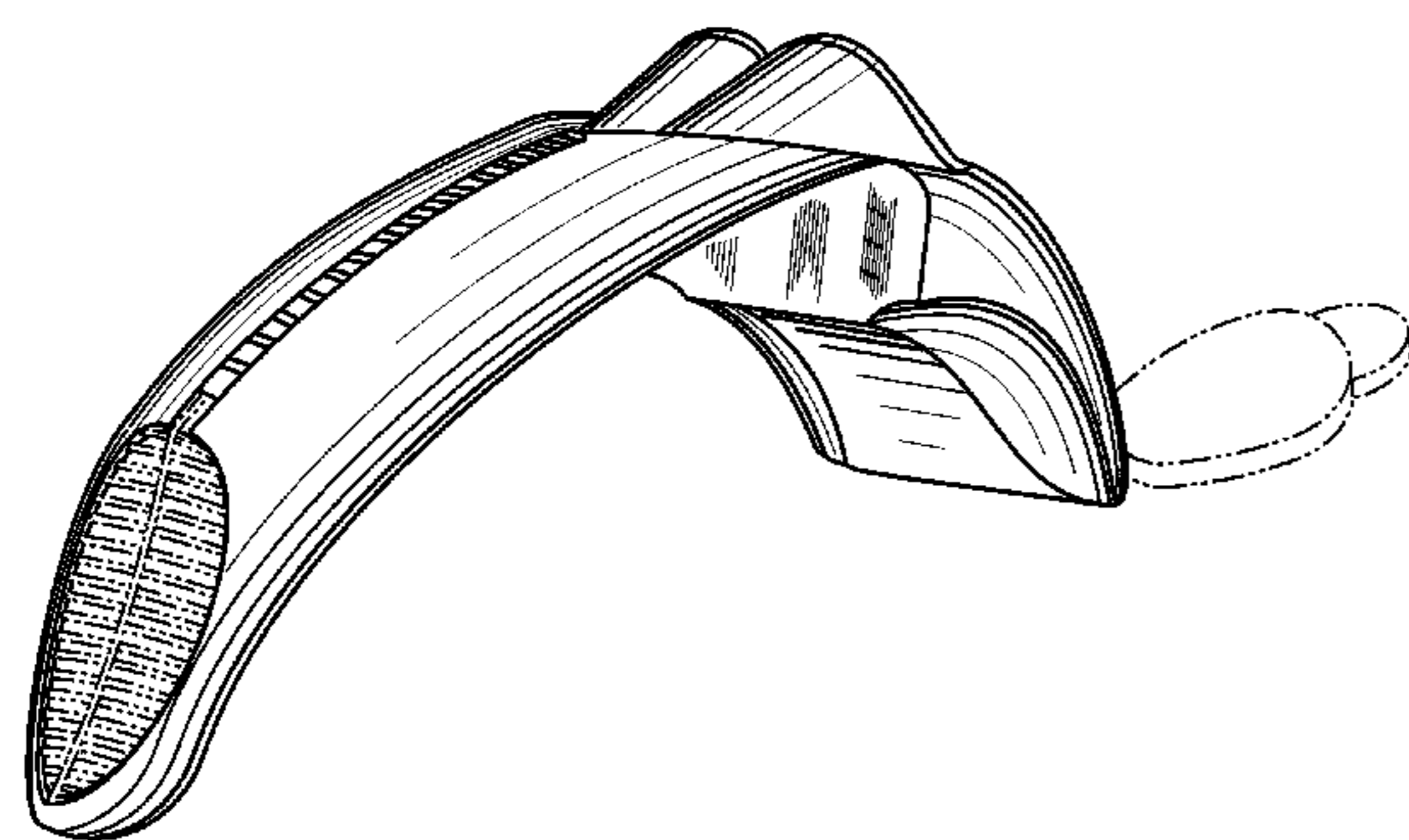
FIG. 4 is a right side view thereof;

FIG. 5 is a top plan view thereof; and,

FIG. 6 is a rear elevational view thereof.

The other portions of the vehicle, shown in dotted lines, form no part of the claimed design.

1 Claim, 6 Drawing Sheets



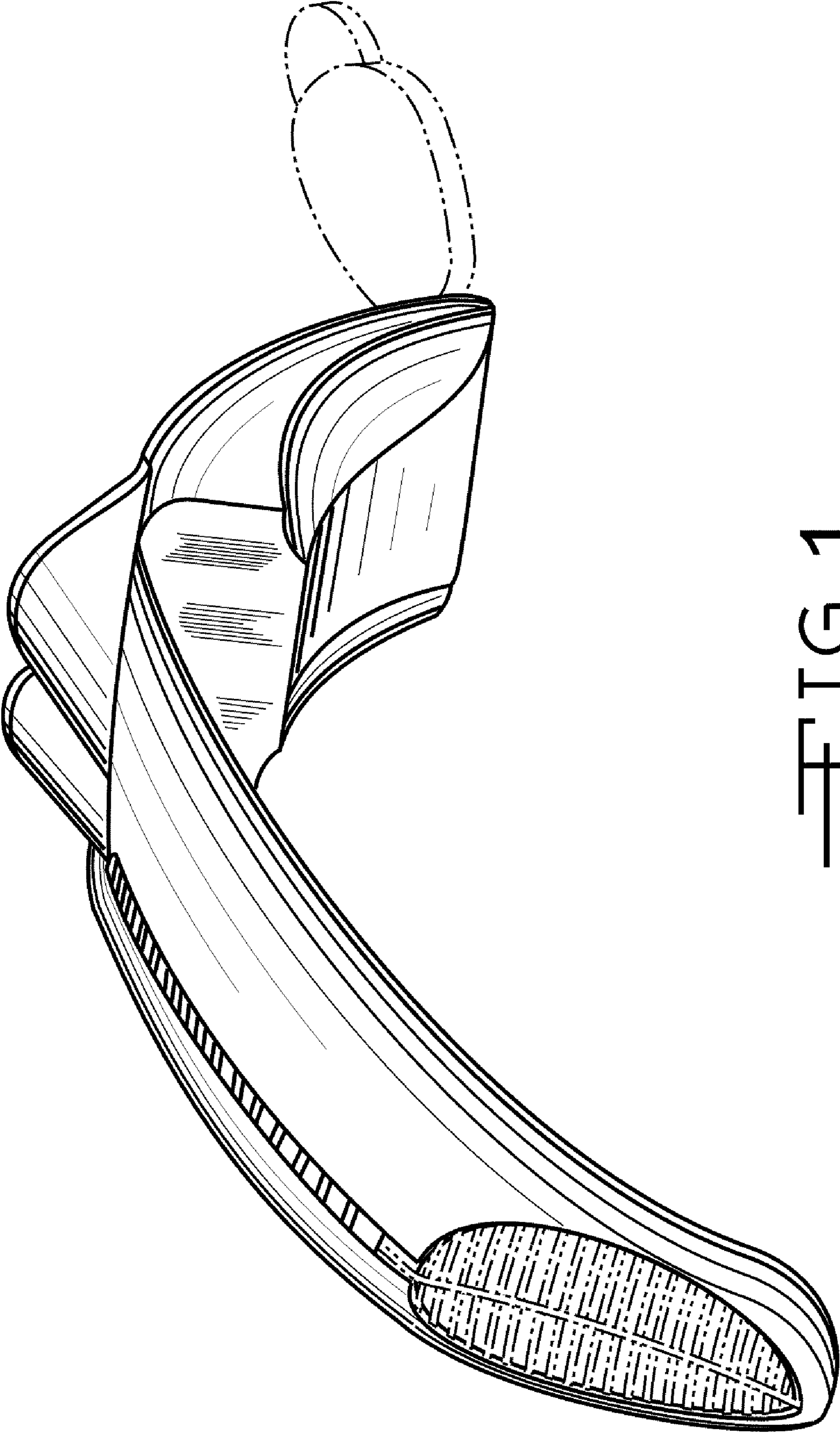


FIG. 1

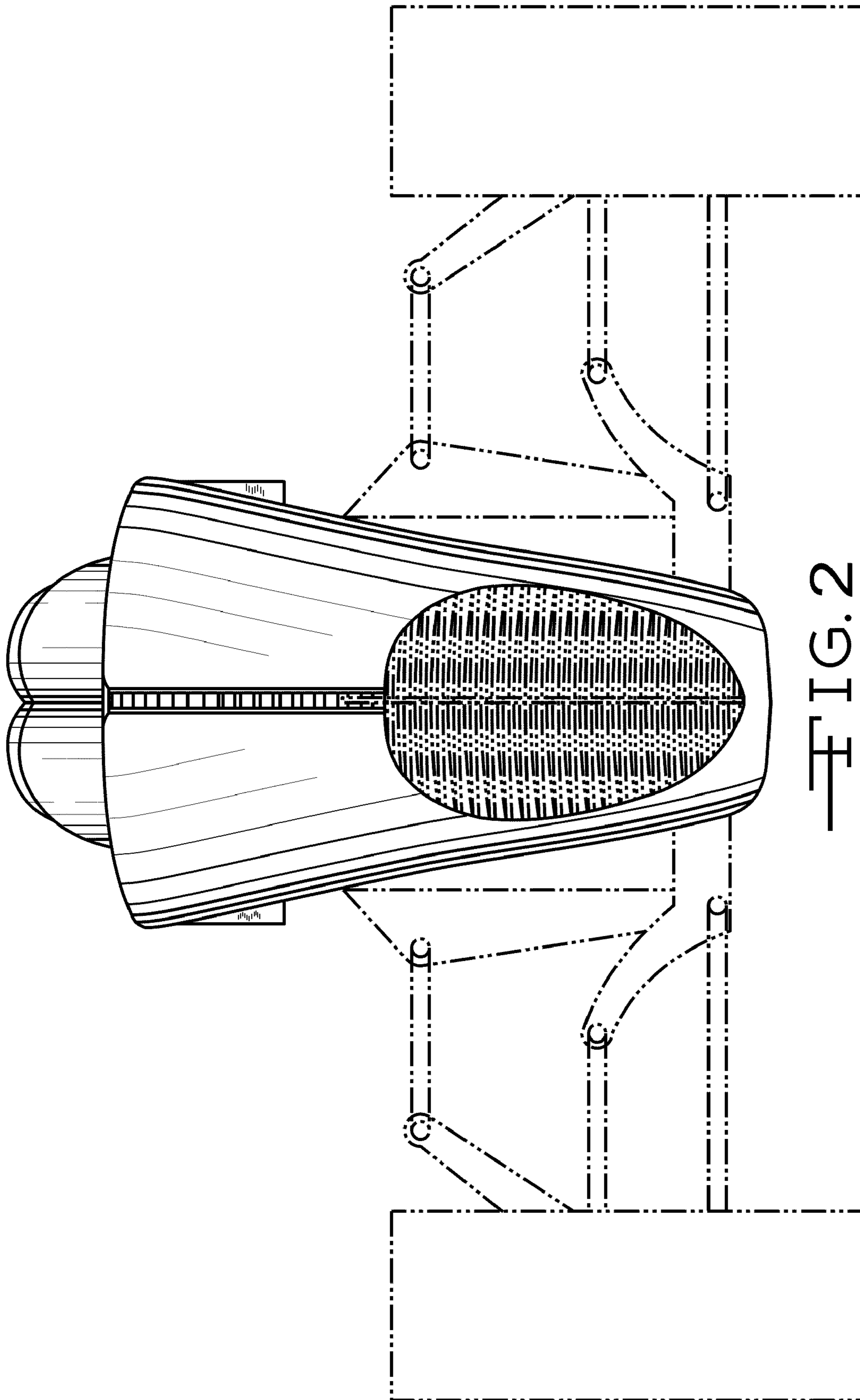


FIG. 2

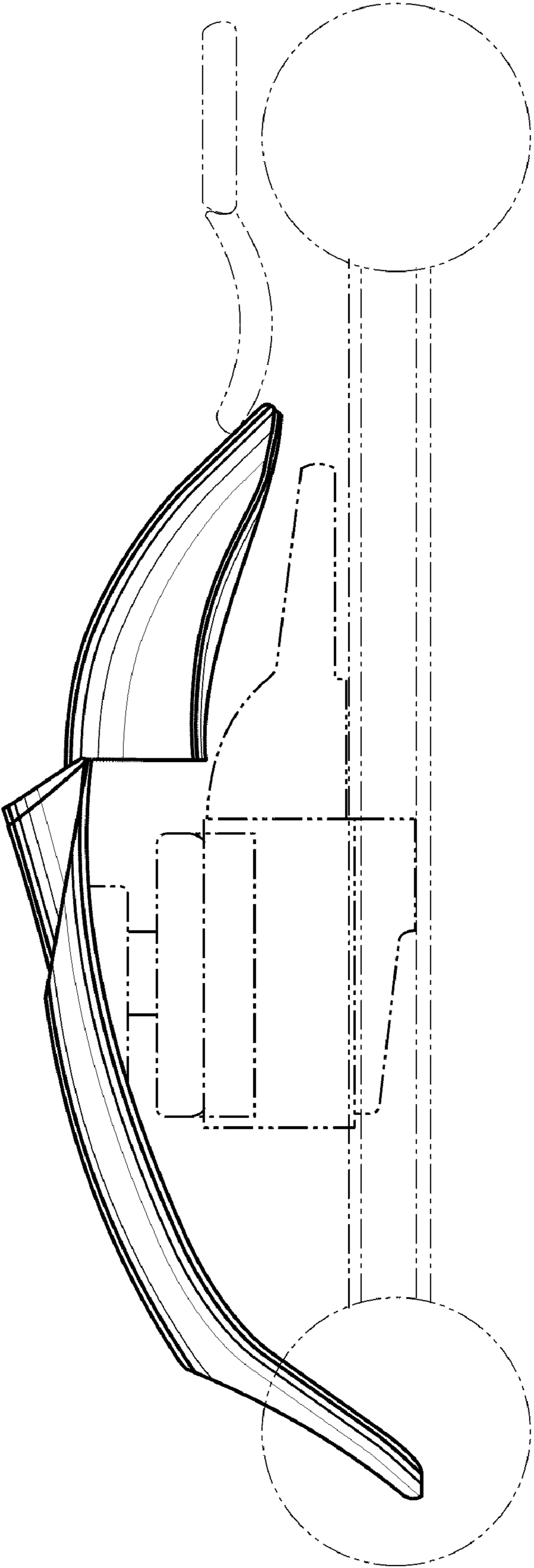


FIG. 3

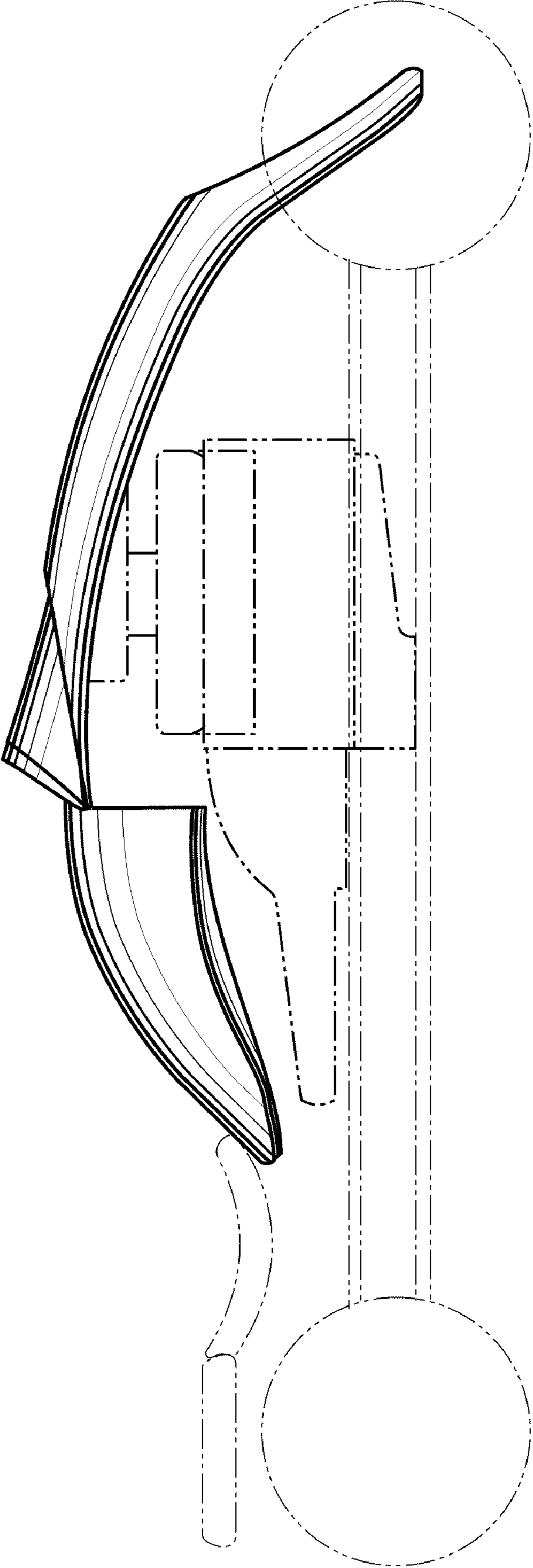


FIG. 4

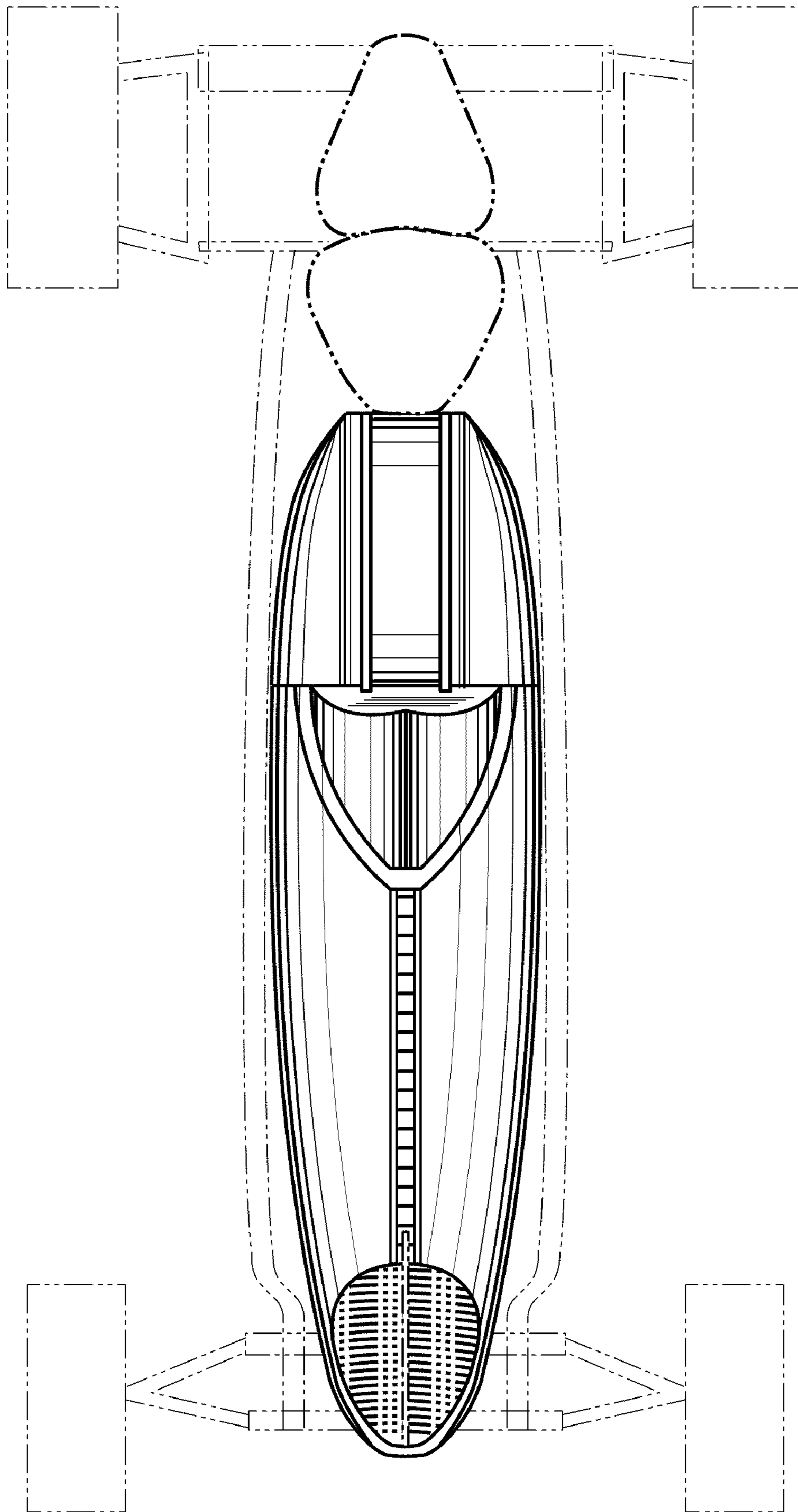


FIG. 5

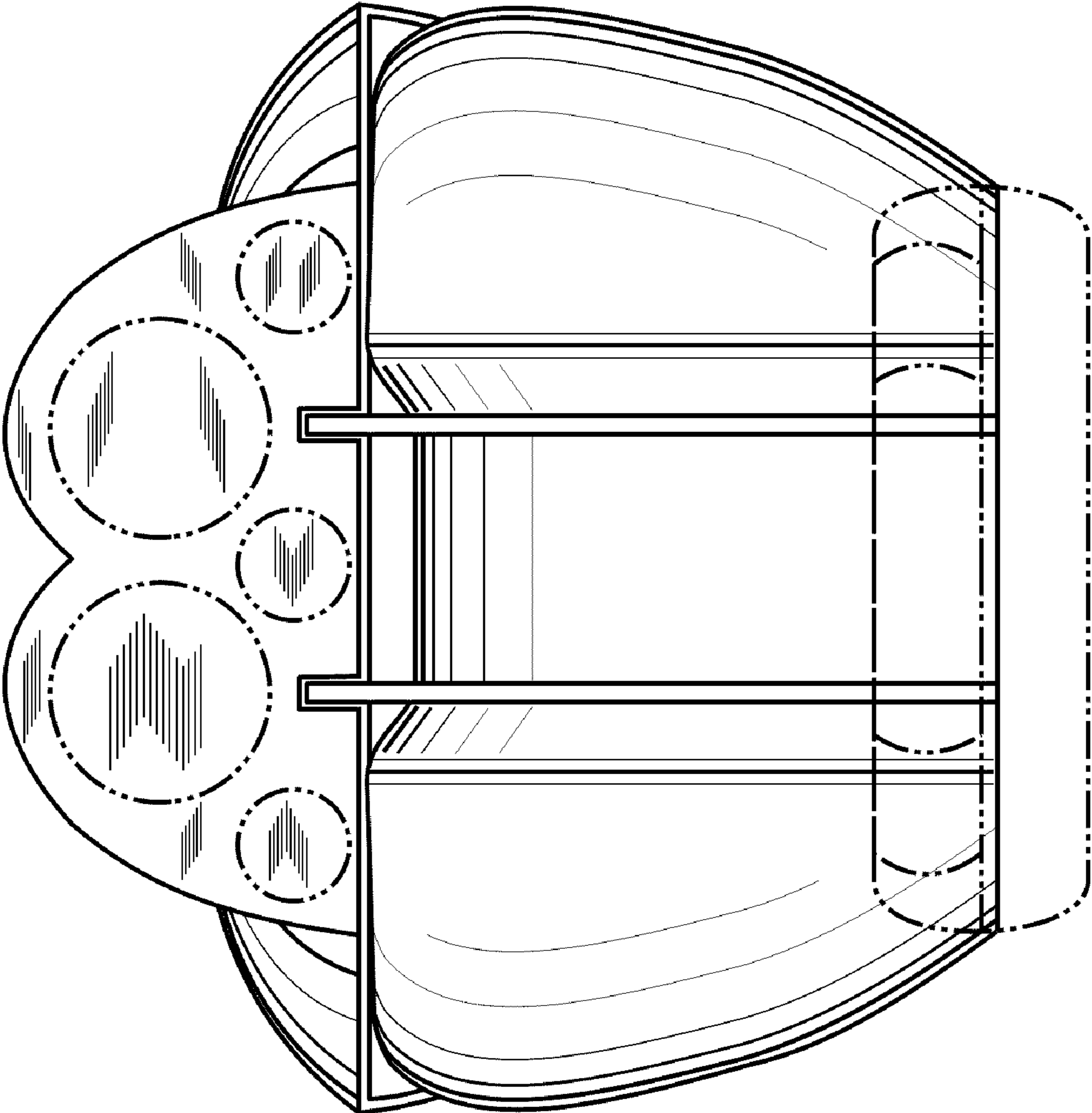


FIG. 6