



US00D605565S

(12) **United States Design Patent**
Nyenhuis et al.

(10) **Patent No.:** **US D605,565 S**
(45) **Date of Patent:** **** Dec. 8, 2009**

(54) **HITCH COVER**

(75) Inventors: **Jack R. Nyenhuis**, Jenison, MI (US);
Daniel F. Sievers, Hudsonville, MI (US);
Matthew R. Ruster, Holland, MI (US)

(73) Assignee: **Broadview Products LLC**, Zeeland, MI (US)

(**) Term: **14 Years**

(21) Appl. No.: **29/337,941**

(22) Filed: **Jun. 2, 2009**

Related U.S. Application Data

(63) Continuation of application No. 11/426,143, filed on Jun. 23, 2006.

(51) **LOC (9) Cl.** **12-16**

(52) **U.S. Cl.** **D12/162**

(58) **Field of Classification Search** D12/162,
D12/400; 224/520, 522, 524, 527, 533, 535,
224/572; 280/422, 440, 495, 507, 511, 727,
280/769

See application file for complete search history.

(56) **References Cited**

U.S. PATENT DOCUMENTS

3,596,926	A	8/1971	Randall	
4,181,320	A	1/1980	Wellborn, Jr.	
4,620,718	A *	11/1986	Mickelson	280/507
4,955,968	A	9/1990	Beckerer, Jr.	
D316,069	S	4/1991	Yocum	
5,037,122	A	8/1991	Beckerer, Jr.	
5,421,601	A	6/1995	Hinze et al.	
5,658,004	A	8/1997	Flanik	
6,102,424	A	8/2000	Cole, Jr. et al.	

D430,519	S	9/2000	Beauvais	
6,197,390	B1	3/2001	LaVite	
6,322,094	B1	11/2001	Poe	
6,357,899	B1	3/2002	Craven	
6,412,806	B1	7/2002	Peacock	
6,439,595	B1 *	8/2002	Cheng et al.	280/507
D475,954	S	6/2003	Brabant, Sr.	
6,832,775	B1	12/2004	Muller	
7,204,507	B1	4/2007	James	
2007/0235983	A1 *	10/2007	Braun	280/507

* cited by examiner

Primary Examiner—T. Chase Nelson

Assistant Examiner—Michael A Pratt

(74) *Attorney, Agent, or Firm*—McGarry Bair PC

(57) **CLAIM**

The ornamental design for a hitch cover, as shown and described.

DESCRIPTION

FIG. 1 is a perspective view of the ornamental design for a hitch cover according to the invention.

FIG. 2 is a rear elevational view thereof.

FIG. 3 is a front elevational view thereof.

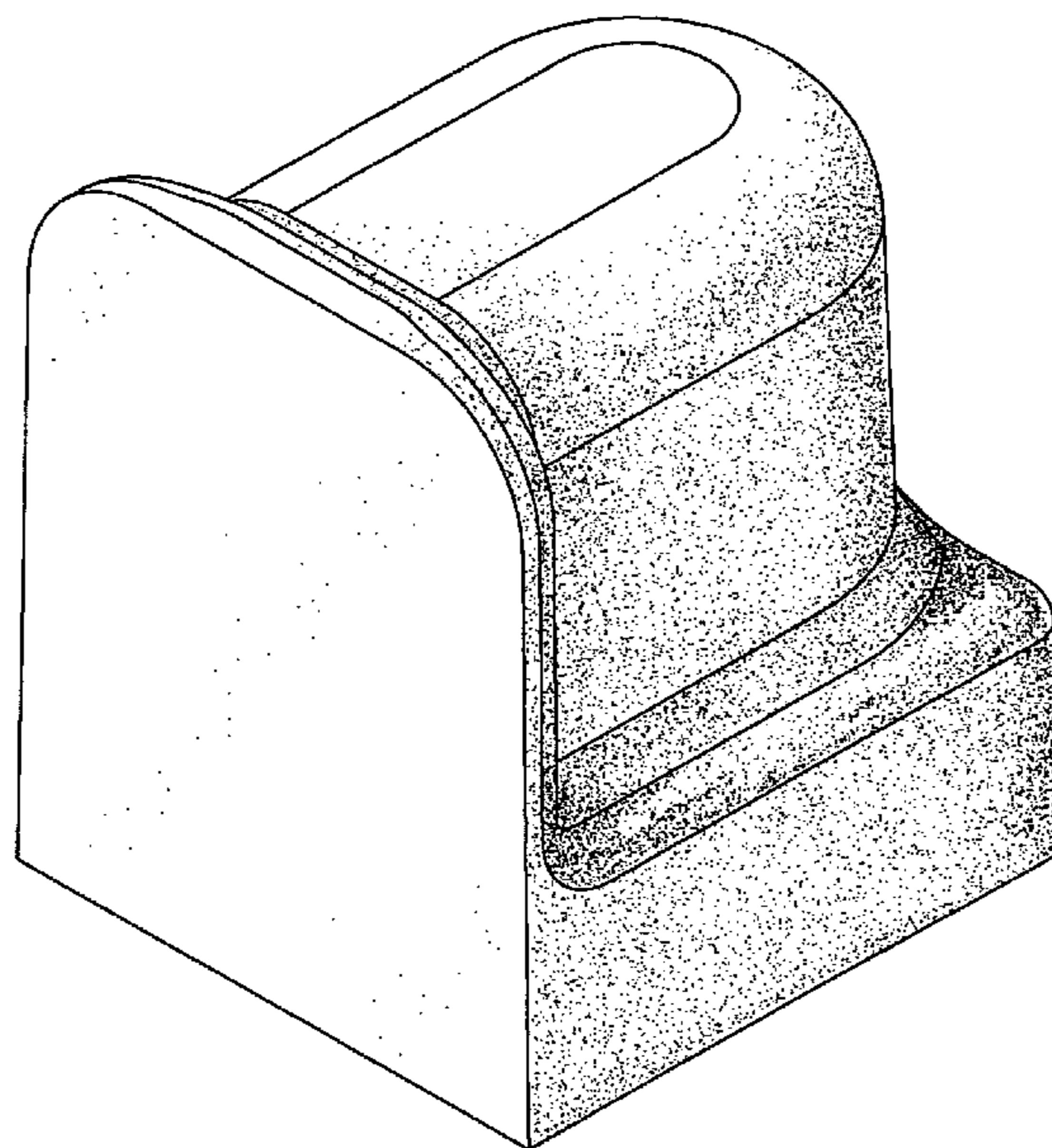
FIG. 4 is a left side elevational view thereof, with the right side view being a mirror image thereto.

FIG. 5 is a top plan view thereof; and,

FIG. 6 is a perspective view thereof, in a similar orientation, showing an intended use of the invention as a hitch cover.

The structures depicted by means of broken lines in the figures have been shown for illustrative purposes only and form no part of the claimed design.

1 Claim, 4 Drawing Sheets



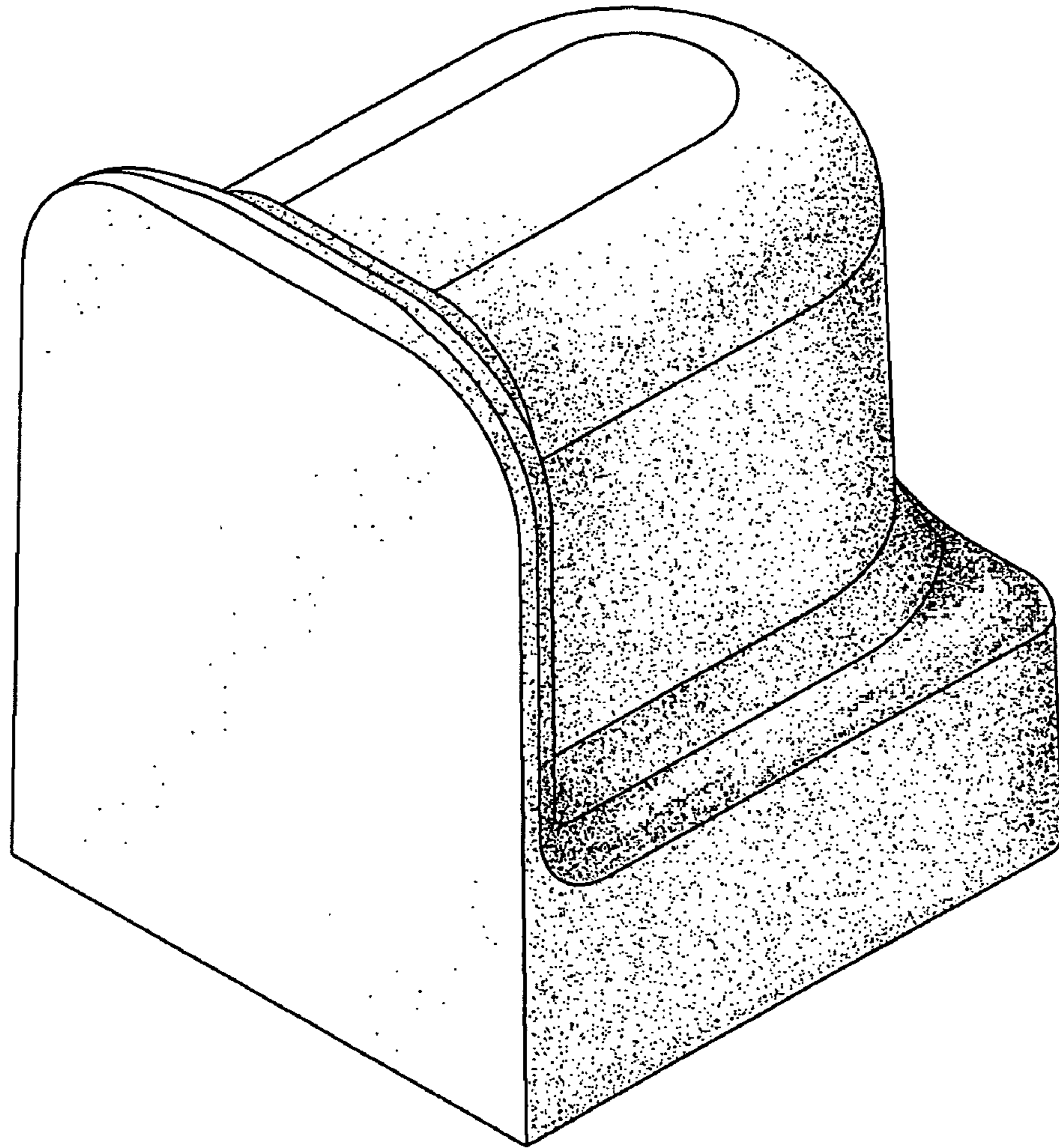


Fig. 1

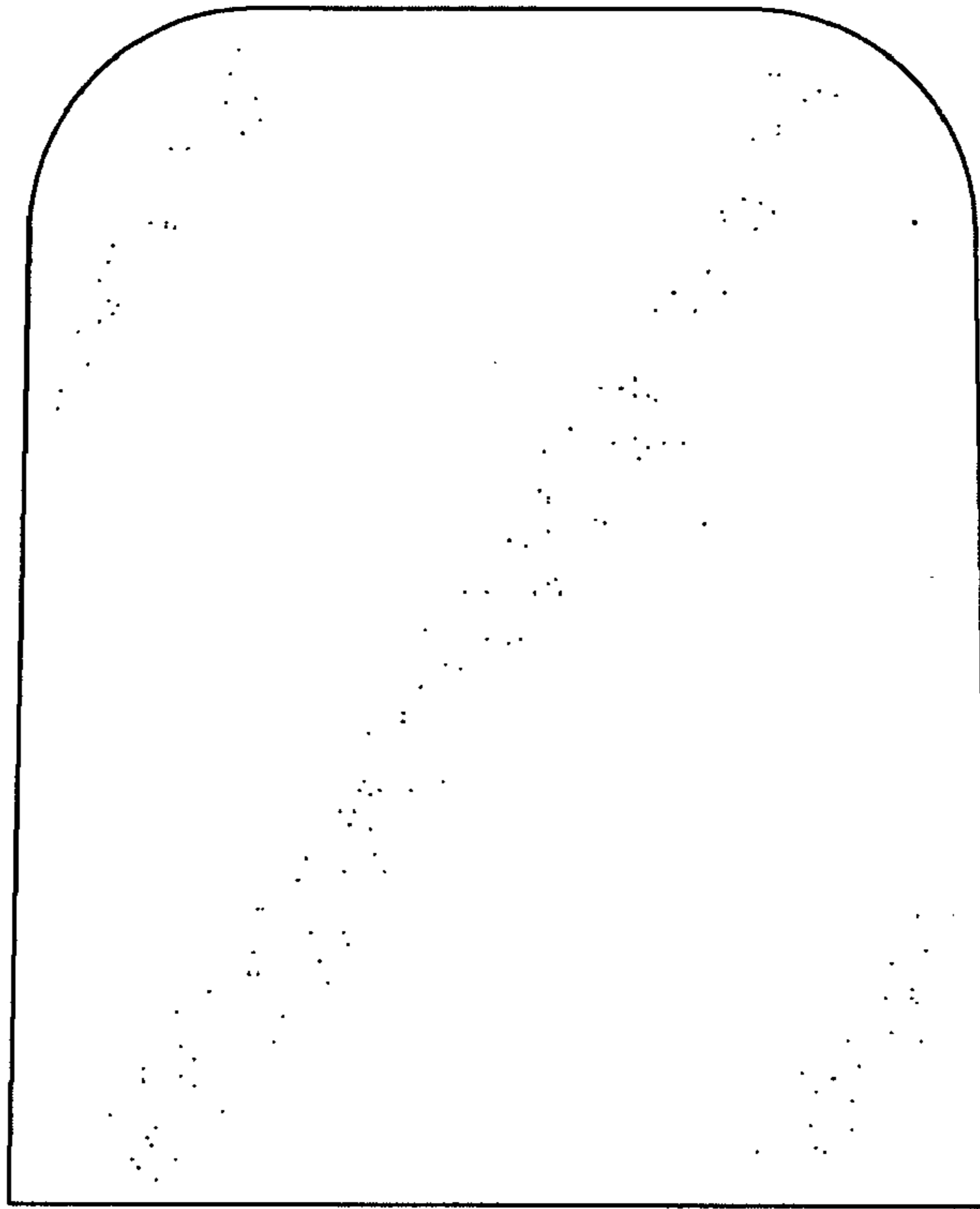


Fig. 2

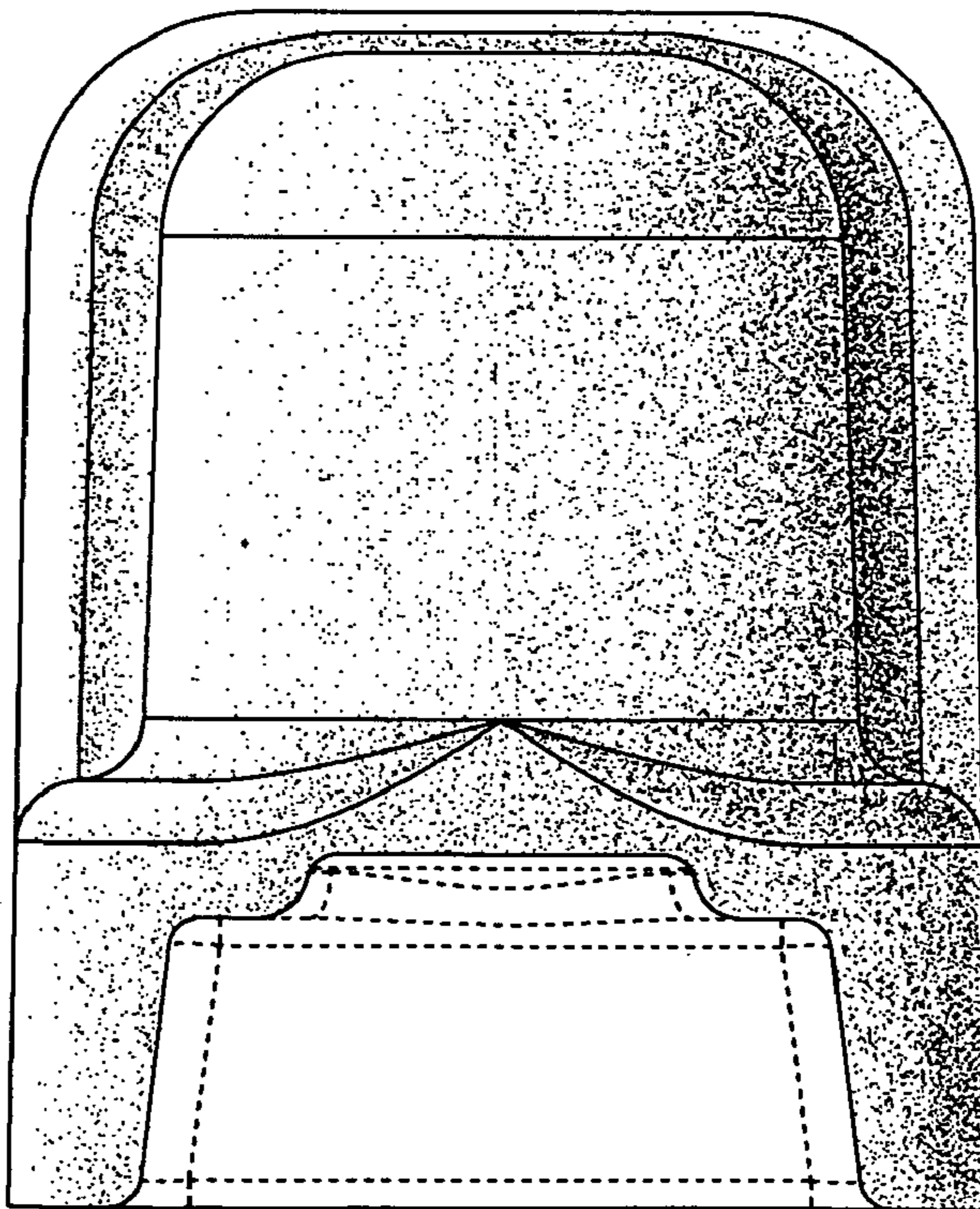


Fig. 3

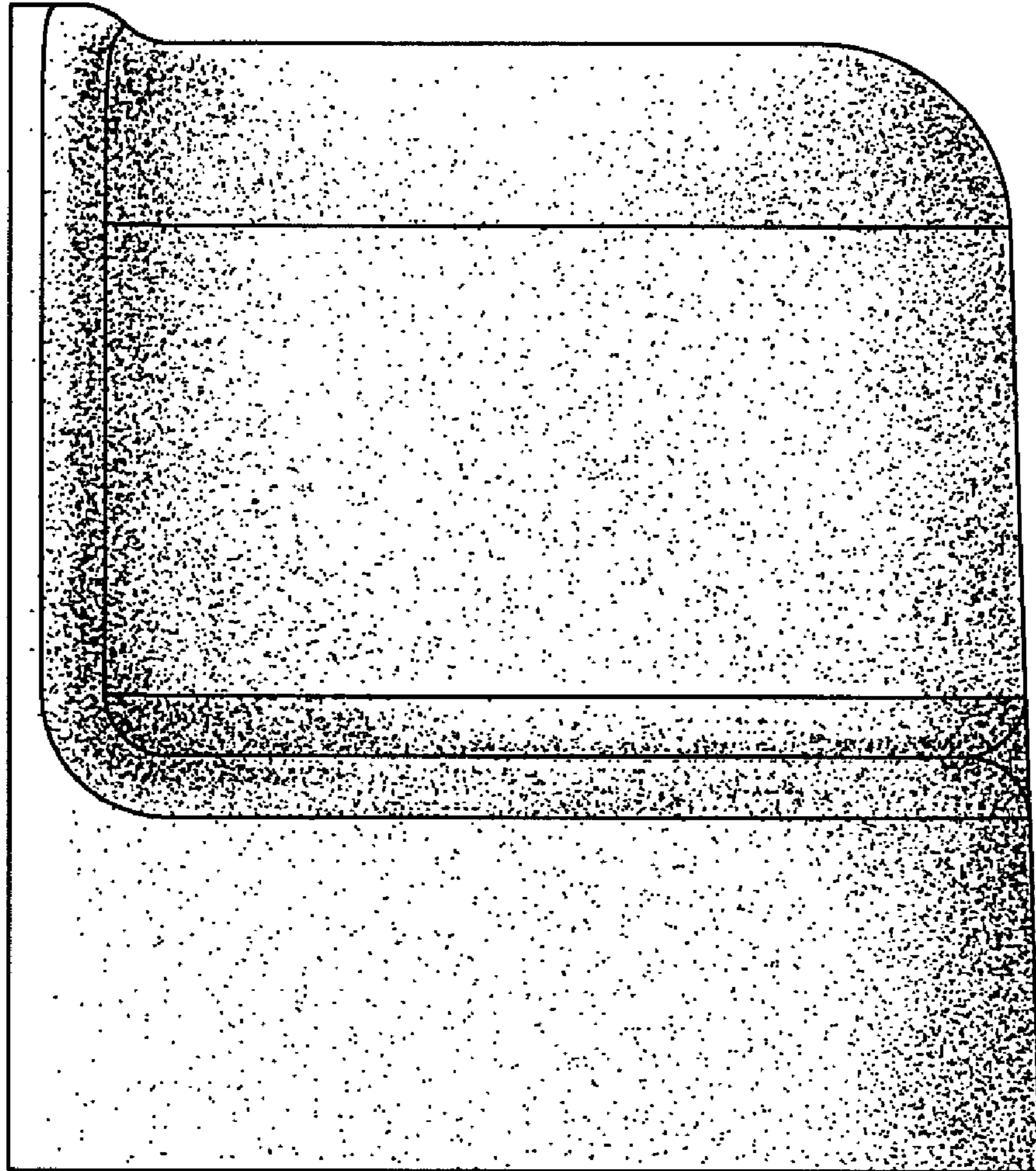


Fig. 4

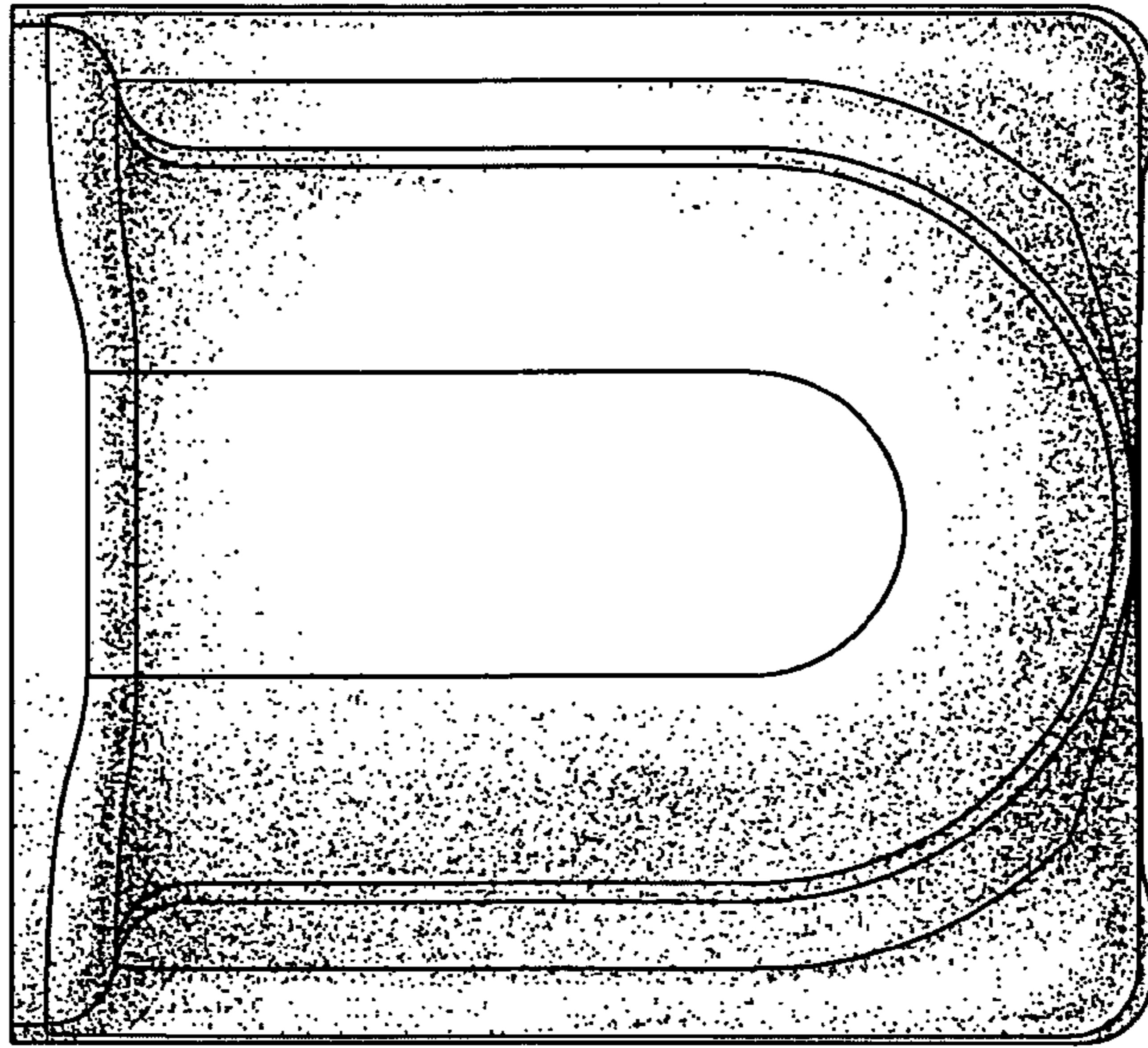


Fig. 5

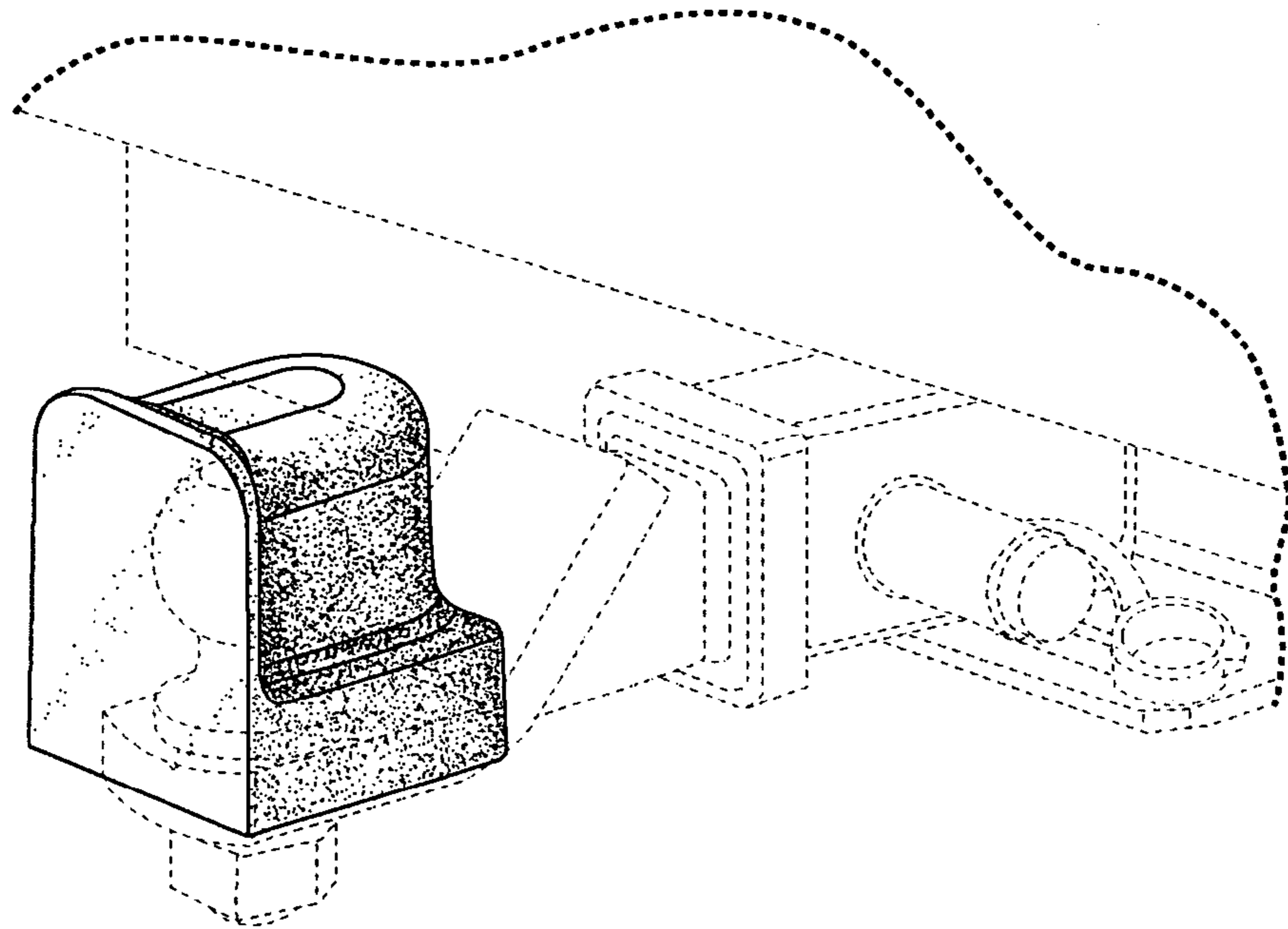


Fig. 6