



US00D605558S

(12) **United States Design Patent**  
**Koman et al.**

(10) **Patent No.:** **US D605,558 S**

(45) **Date of Patent:** **\*\* Dec. 8, 2009**

(54) **AUTOMOBILE AND/OR REPLICA THEREOF**

(75) Inventors: **Shuji Koman**, Saitama-ken (JP);  
**Wataru Murakami**, Saitama-ken (JP);  
**Daisuke Tanii**, Saitama-ken (JP)

(73) Assignee: **Honda Motor Co., Ltd.**, Tokyo (JP)

(\*\*) Term: **14 Years**

(21) Appl. No.: **29/330,827**

(22) Filed: **Jan. 14, 2009**

(30) **Foreign Application Priority Data**

Jul. 15, 2008 (JP) ..... 2008-018208

(51) **LOC (9) Cl.** ..... **12-08**

(52) **U.S. Cl.** ..... **D12/91**

(58) **Field of Classification Search** ..... D12/86,  
D12/90-92; 296/181.1, 181.5

See application file for complete search history.

(56) **References Cited**

U.S. PATENT DOCUMENTS

- D458,188 S \* 6/2002 Wyszogrod et al. .... D12/90
- D522,407 S \* 6/2006 Kim et al. .... D12/91
- D525,562 S \* 7/2006 Yagi et al. .... D12/91
- D532,338 S \* 11/2006 Arai et al. .... D12/91
- D539,190 S \* 3/2007 Brown et al. .... D12/91
- D540,214 S \* 4/2007 Nakai et al. .... D12/91

- D540,215 S \* 4/2007 Date et al. .... D12/91
- D555,038 S \* 11/2007 Suzuki et al. .... D12/91
- D568,791 S \* 5/2008 Suzuki et al. .... D12/91
- D570,250 S \* 6/2008 Nakamura ..... D12/91
- D587,170 S \* 2/2009 Tokoro et al. .... D12/91
- D591,647 S \* 5/2009 Wang et al. .... D12/91

\* cited by examiner

*Primary Examiner*—Melody N Brown

(74) *Attorney, Agent, or Firm*—Westerman, Hattori, Daniels & Adrian, LLP

(57) **CLAIM**

The ornamental design for an automobile and/or replica thereof, as shown and described.

**DESCRIPTION**

FIG. 1 is a left-front perspective view of an automobile and/or replica thereof showing my new design;

FIG. 2 is a left-rear perspective view thereof;

FIG. 3 is a left-side, elevation view thereof, the right-side elevation view being a mirror image thereof;

FIG. 4 is a front, elevation view thereof;

FIG. 5 is a rear, elevation view thereof; and,

FIG. 6 is a top, plan view thereof.

The broken lines in the drawings illustrate environmental structure and form no part of the claimed design.

**1 Claim, 6 Drawing Sheets**

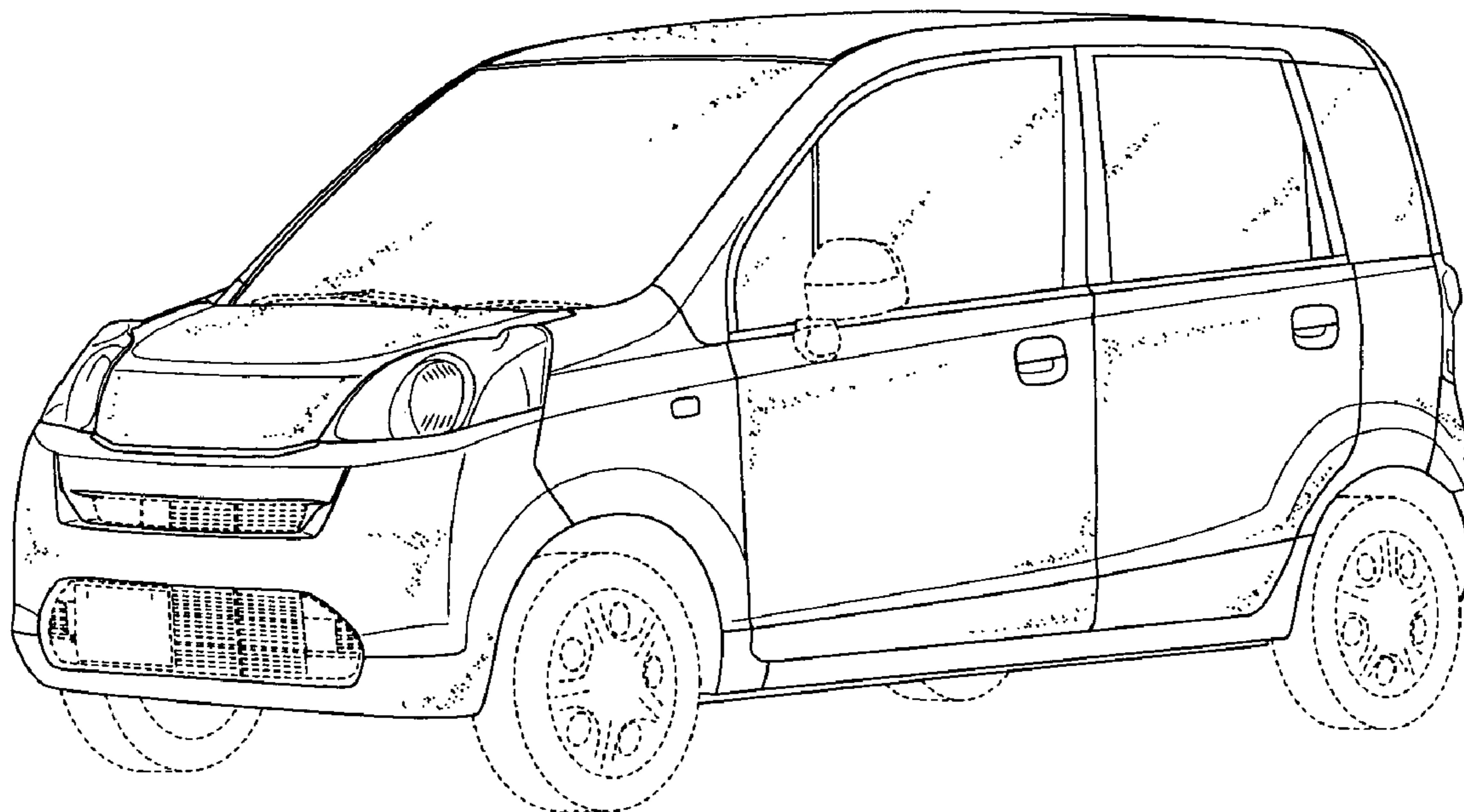


FIG. 1

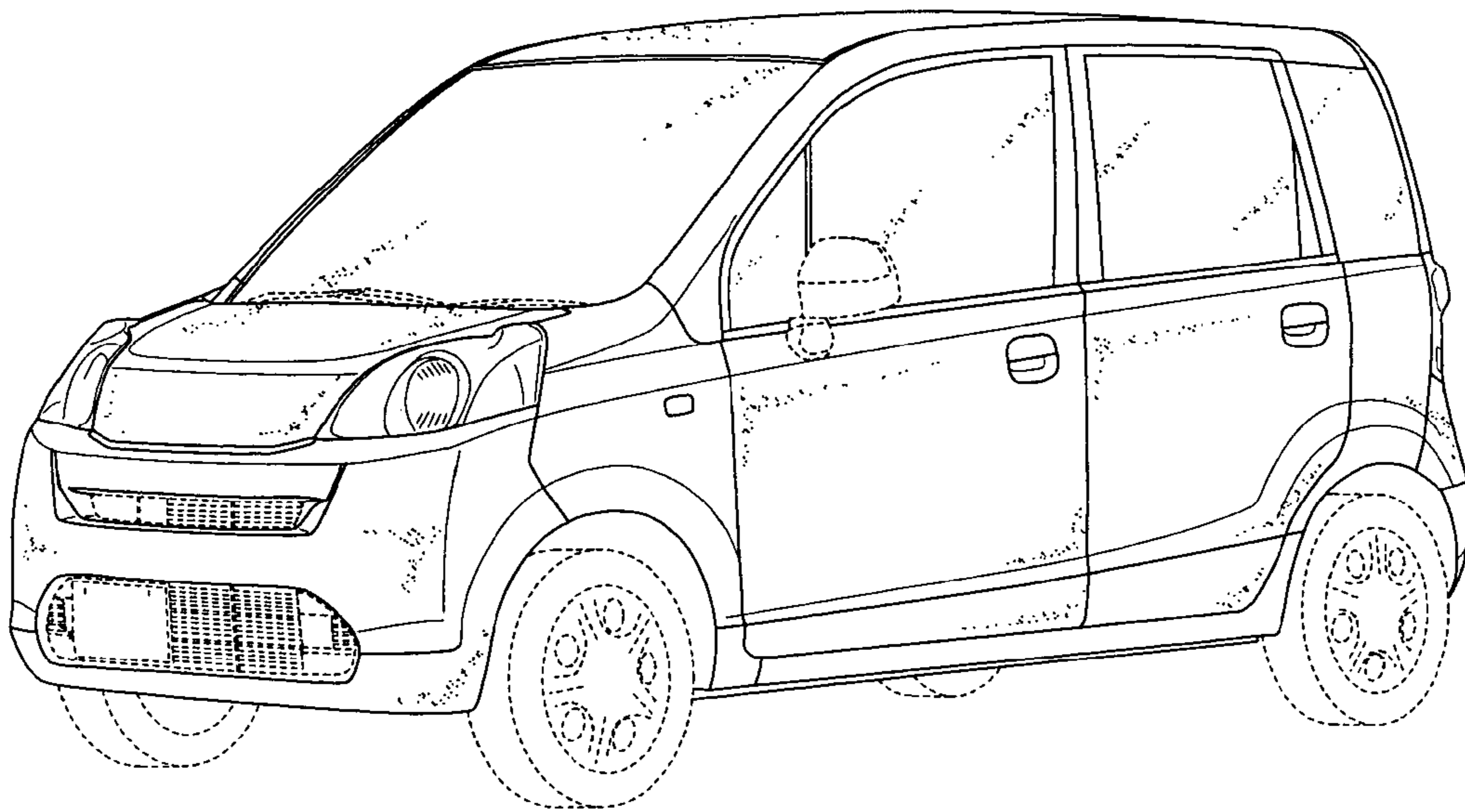


FIG. 2

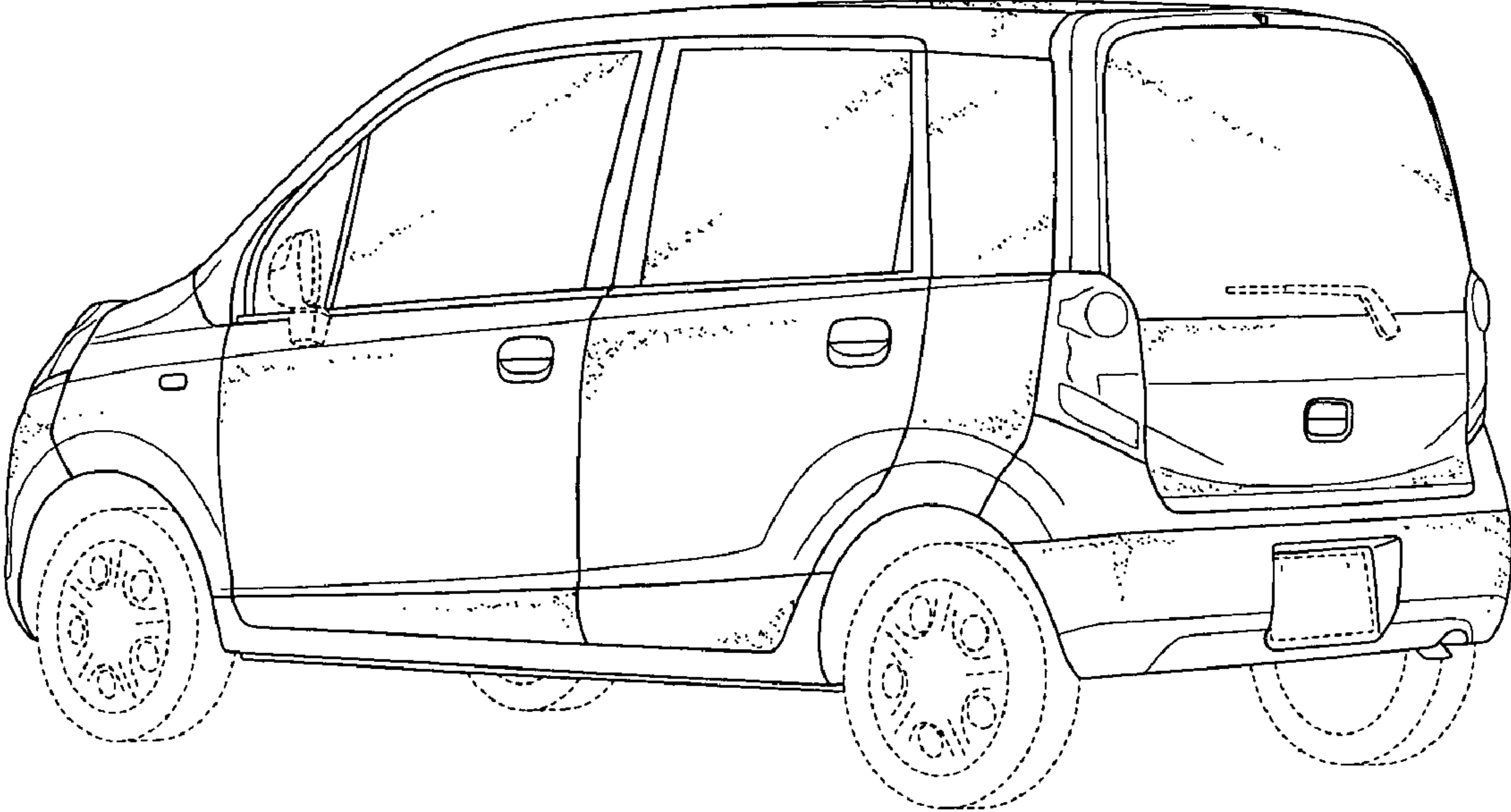


FIG. 3

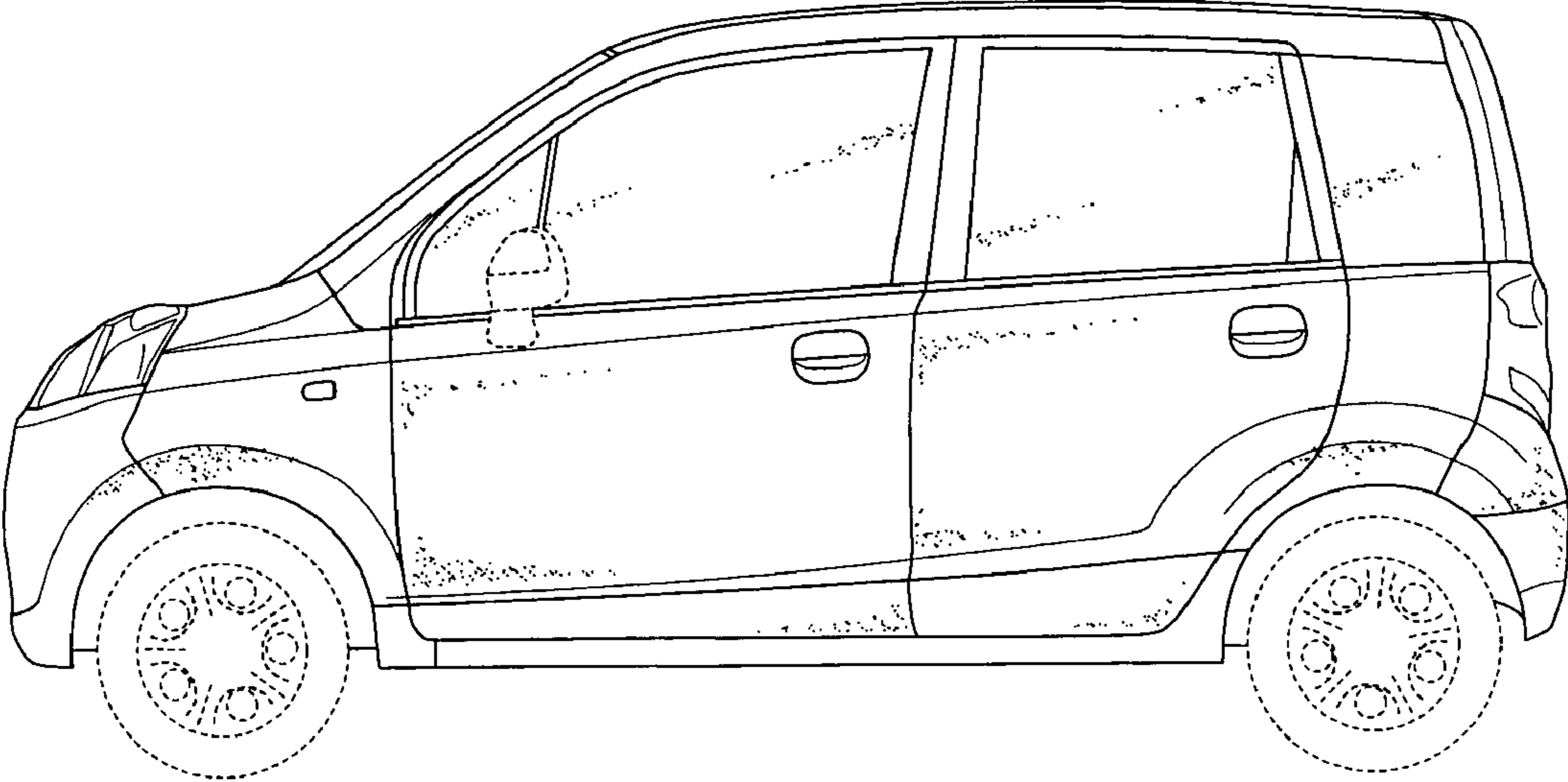


FIG. 4

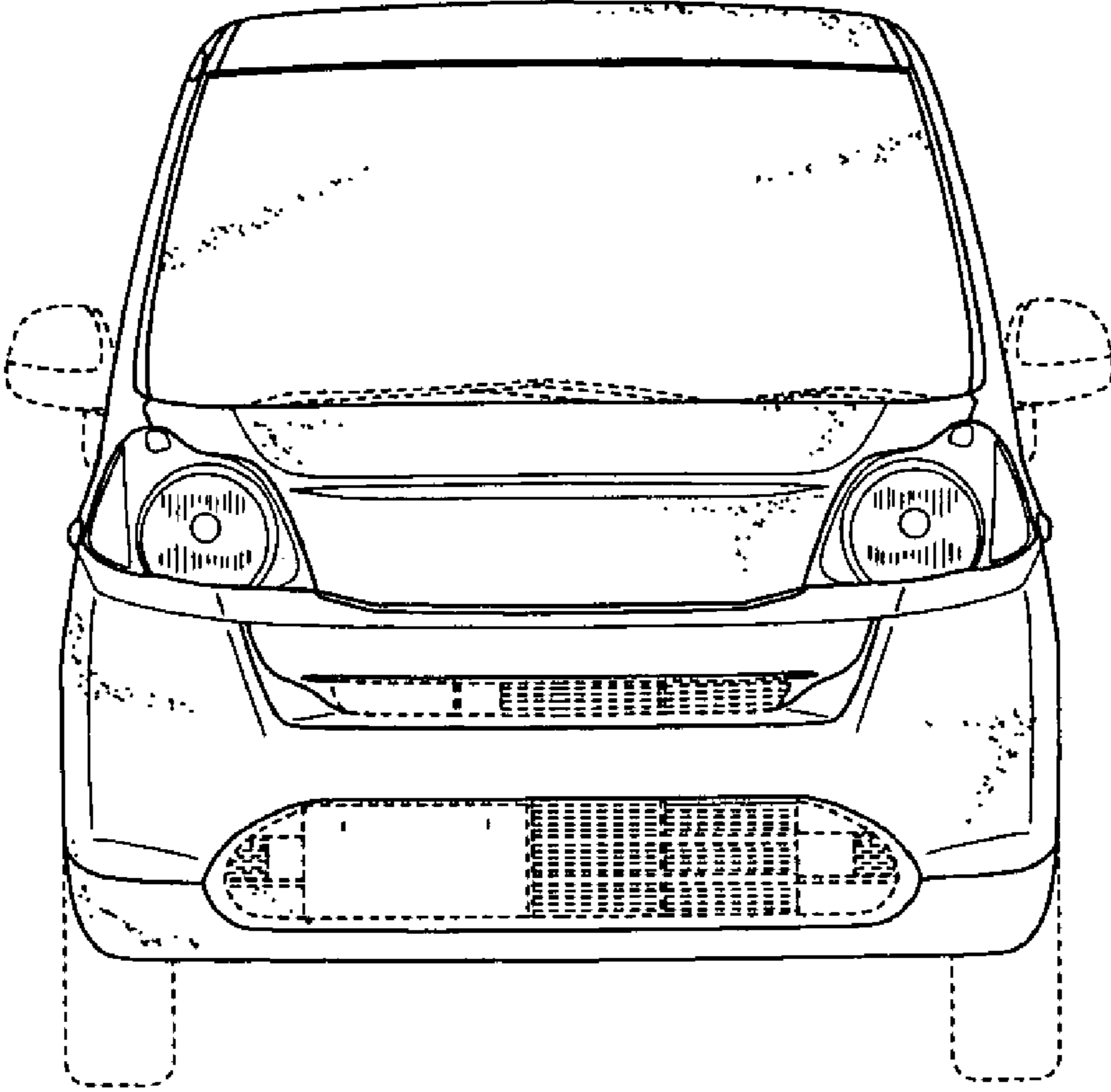


FIG. 5

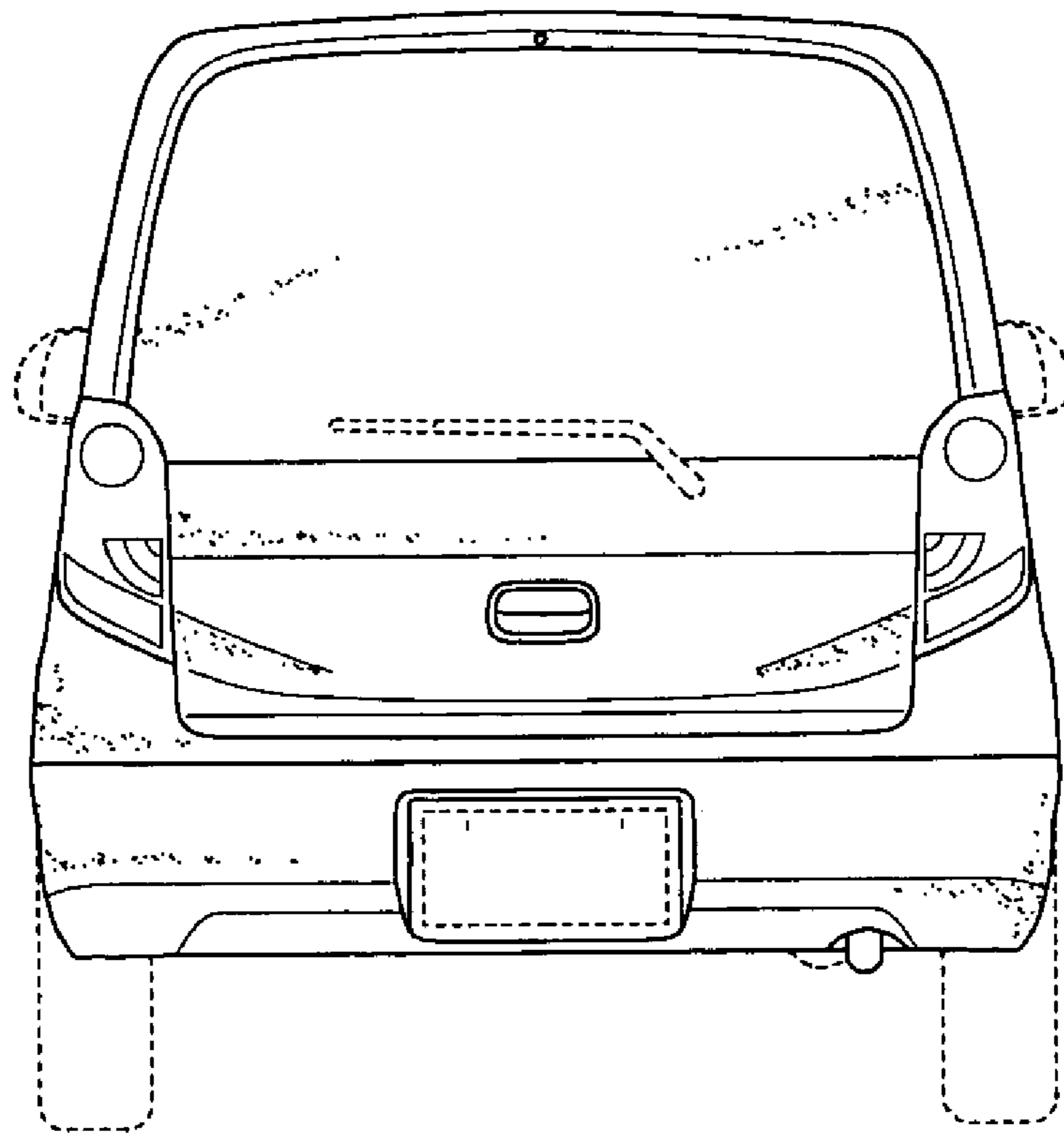


FIG. 6

