



US00D605557S

(12) **United States Design Patent**  
**Murakami**

(10) **Patent No.:** **US D605,557 S**

(45) **Date of Patent:** **\*\* Dec. 8, 2009**

(54) **AUTOMOBILE AND/OR REPLICA THEREOF**

(75) Inventor: **Wataru Murakami**, Wako (JP)

(73) Assignee: **Honda Motor Co., Ltd.**, Tokyo (JP)

(\*\*) Term: **14 Years**

(21) Appl. No.: **29/330,825**

(22) Filed: **Jan. 14, 2009**

(30) **Foreign Application Priority Data**

Jul. 15, 2008 (JP) ..... 2008-018207

(51) **LOC (9) Cl.** ..... **12-08**

(52) **U.S. Cl.** ..... **D12/91**

(58) **Field of Classification Search** ..... D12/86,  
D12/90-92; 296/181.1, 181.5

See application file for complete search history.

(56) **References Cited**

**U.S. PATENT DOCUMENTS**

D458,188 S *	6/2002	Wyszogrod et al. ....	D12/90
D522,407 S *	6/2006	Kim et al. ....	D12/91
D525,562 S *	7/2006	Yagi et al. ....	D12/91
D532,338 S *	11/2006	Arai et al. ....	D12/91
D539,190 S *	3/2007	Brown et al. ....	D12/91
D540,214 S *	4/2007	Nakai et al. ....	D12/91
D540,215 S *	4/2007	Date et al. ....	D12/91
D555,038 S *	11/2007	Suzuki et al. ....	D12/91

D568,791 S *	5/2008	Suzuki et al. ....	D12/91
D570,250 S *	6/2008	Nakamura ....	D12/91
D587,170 S *	2/2009	Tokoro et al. ....	D12/91
D591,647 S *	5/2009	Wang et al. ....	D12/91

\* cited by examiner

*Primary Examiner*—Melody N Brown

(74) *Attorney, Agent, or Firm*—Westerman, Hattori, Daniels & Adrian, LLP

(57) **CLAIM**

The ornamental design for an automobile and/or replica thereof, as shown and described.

**DESCRIPTION**

FIG. 1 is a perspective view from the front left side of an automobile and/or replica thereof.

FIG. 2 is a perspective view from the front right side thereof.

FIG. 3 is a front elevation view thereof. A rear elevation view is symmetrical with the front elevation view.

FIG. 4 is a left side elevation view thereof.

FIG. 5 is a right side elevation view thereof; and,

FIG. 6 is a top plan view thereof.

The broken lines shown in drawings are for the purpose of showing background structure only and form no part of the claimed design.

**1 Claim, 6 Drawing Sheets**

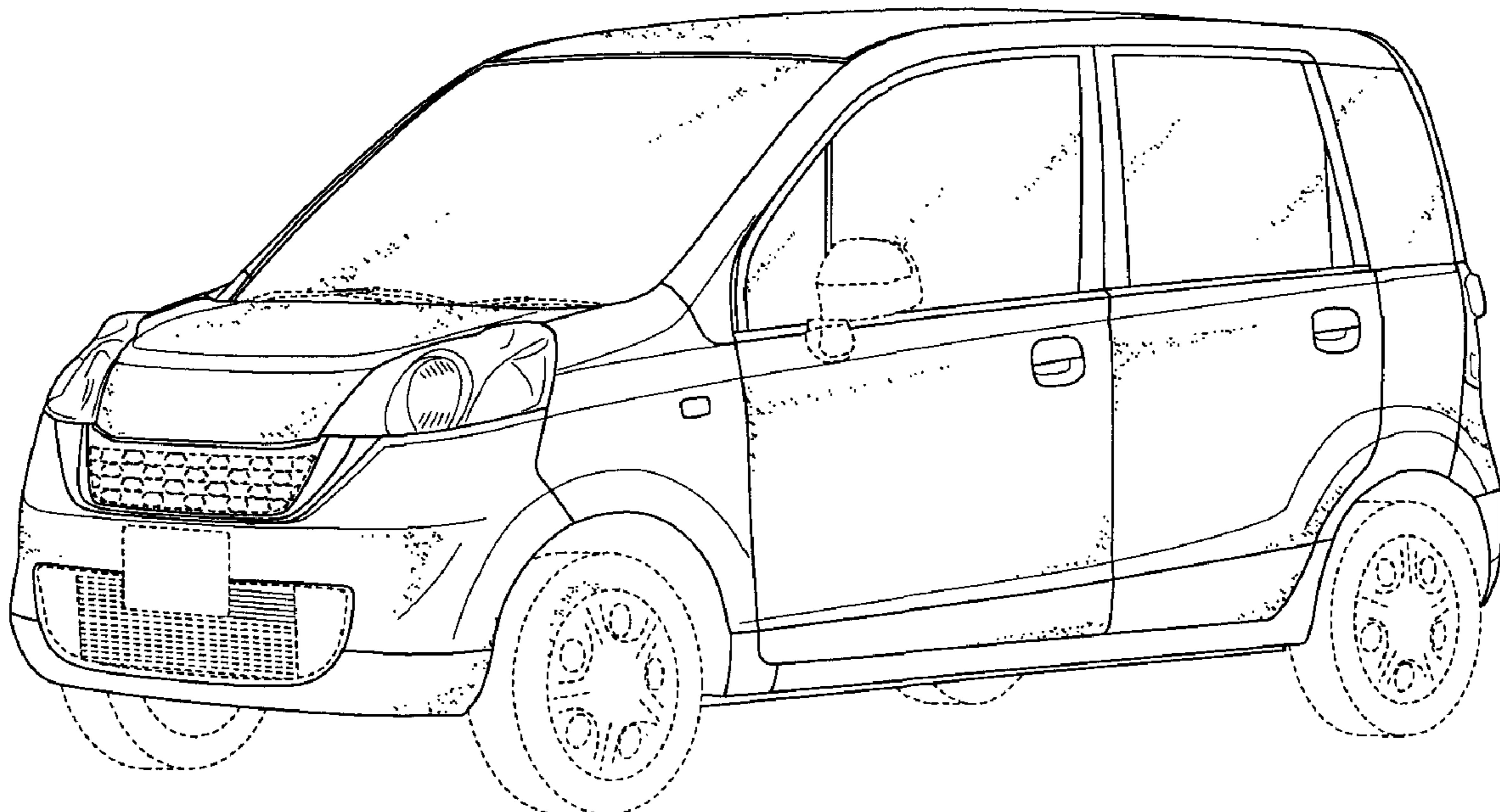


FIG. 1

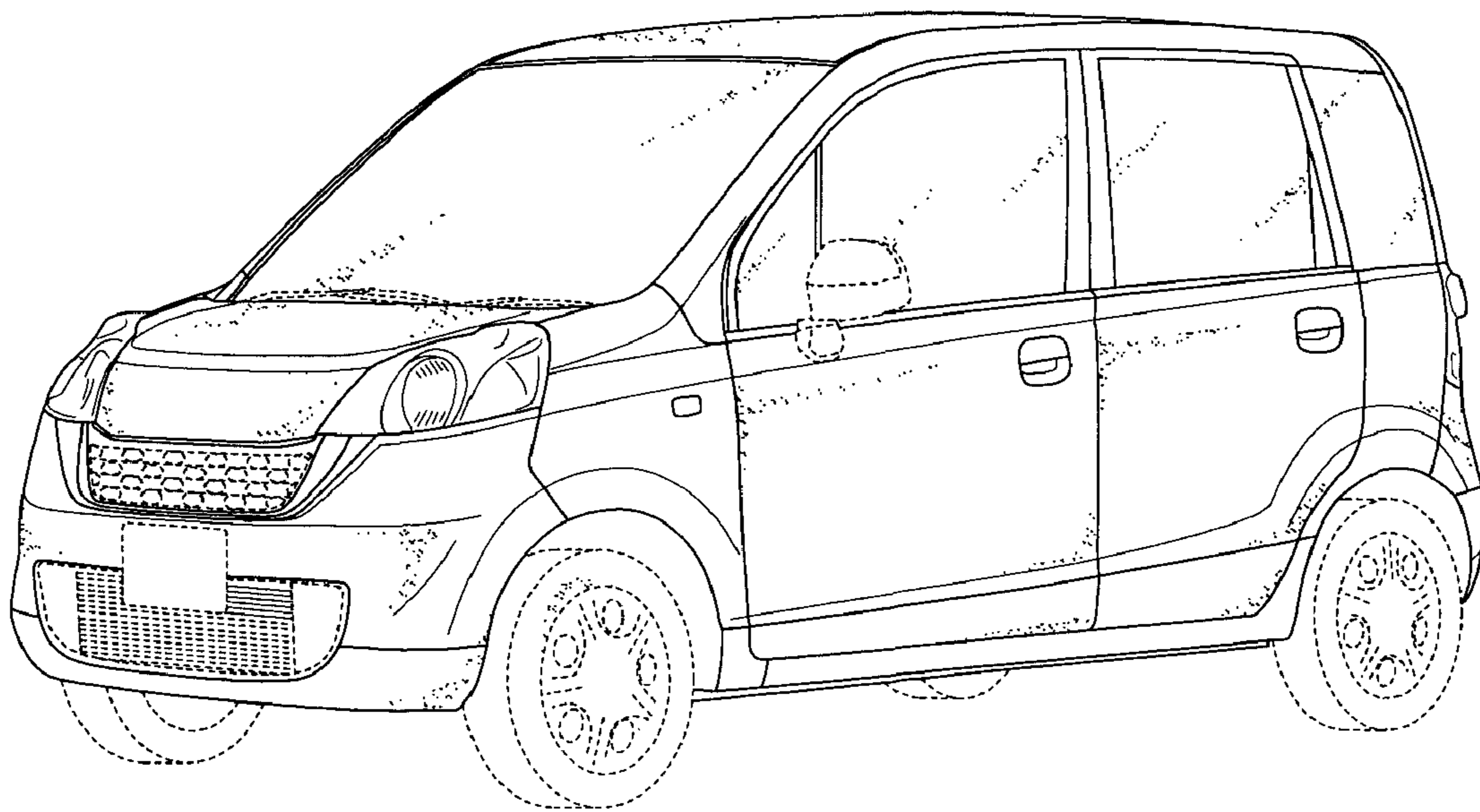


FIG. 2

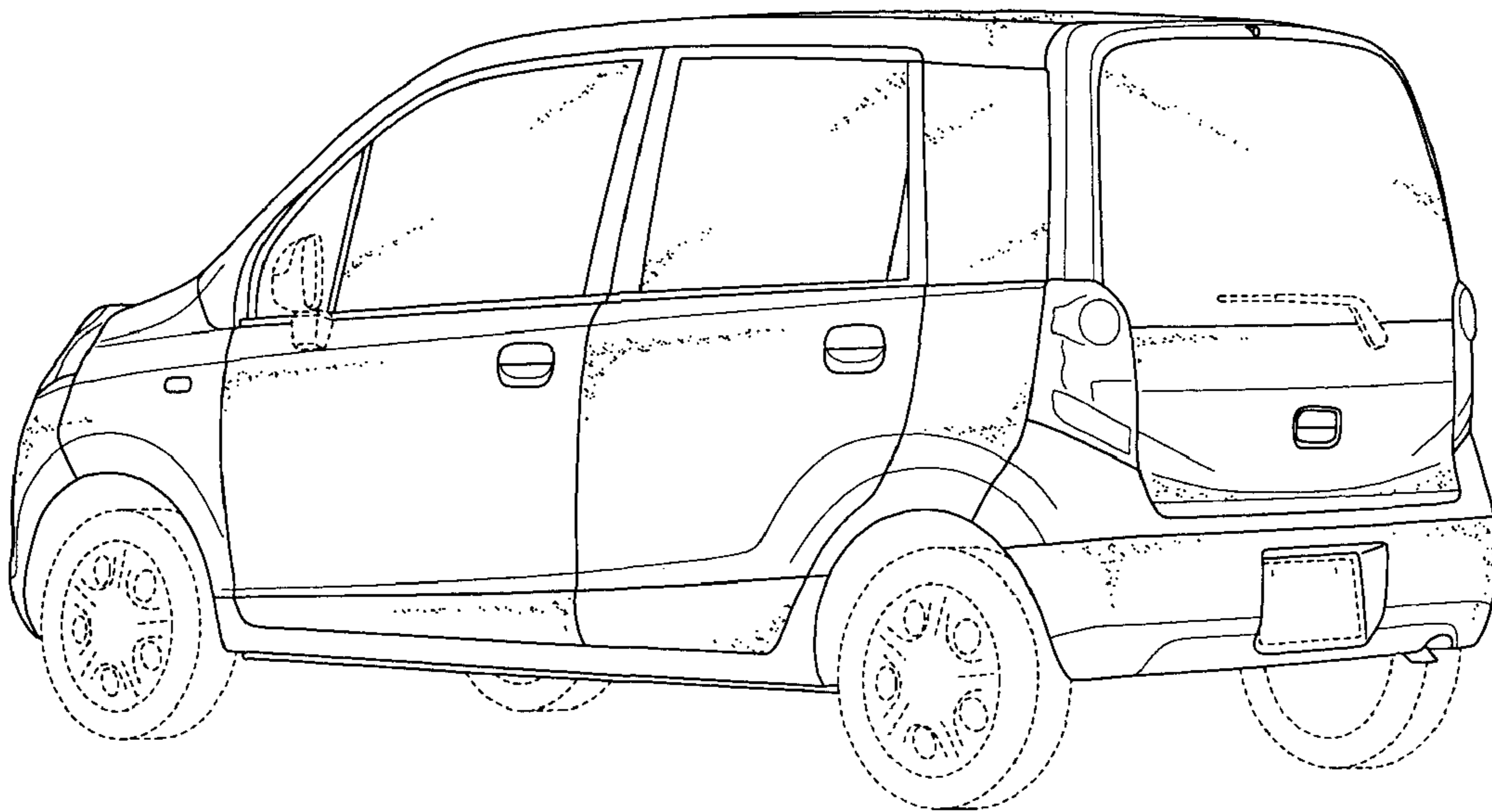


FIG. 3

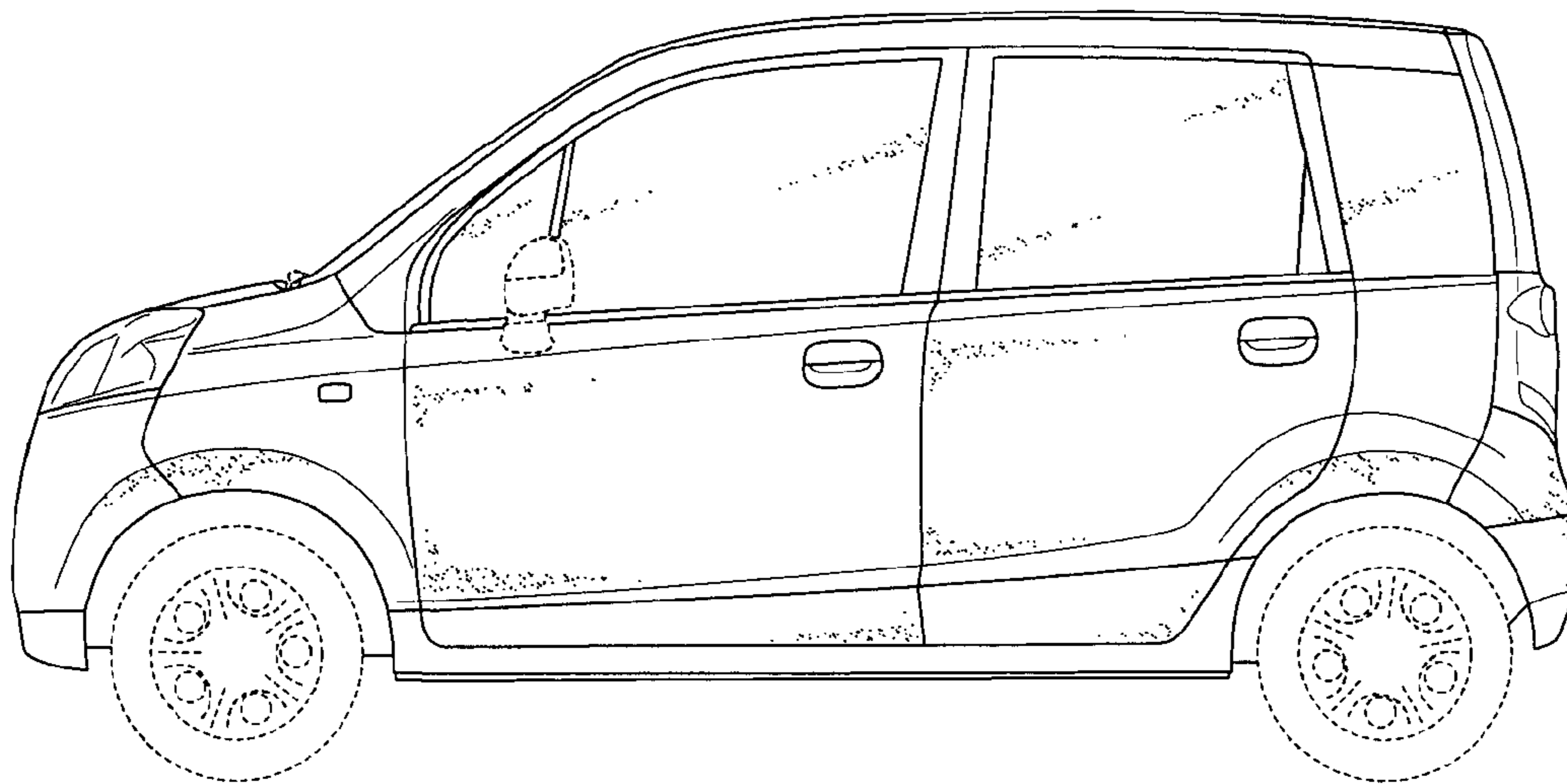


FIG. 4

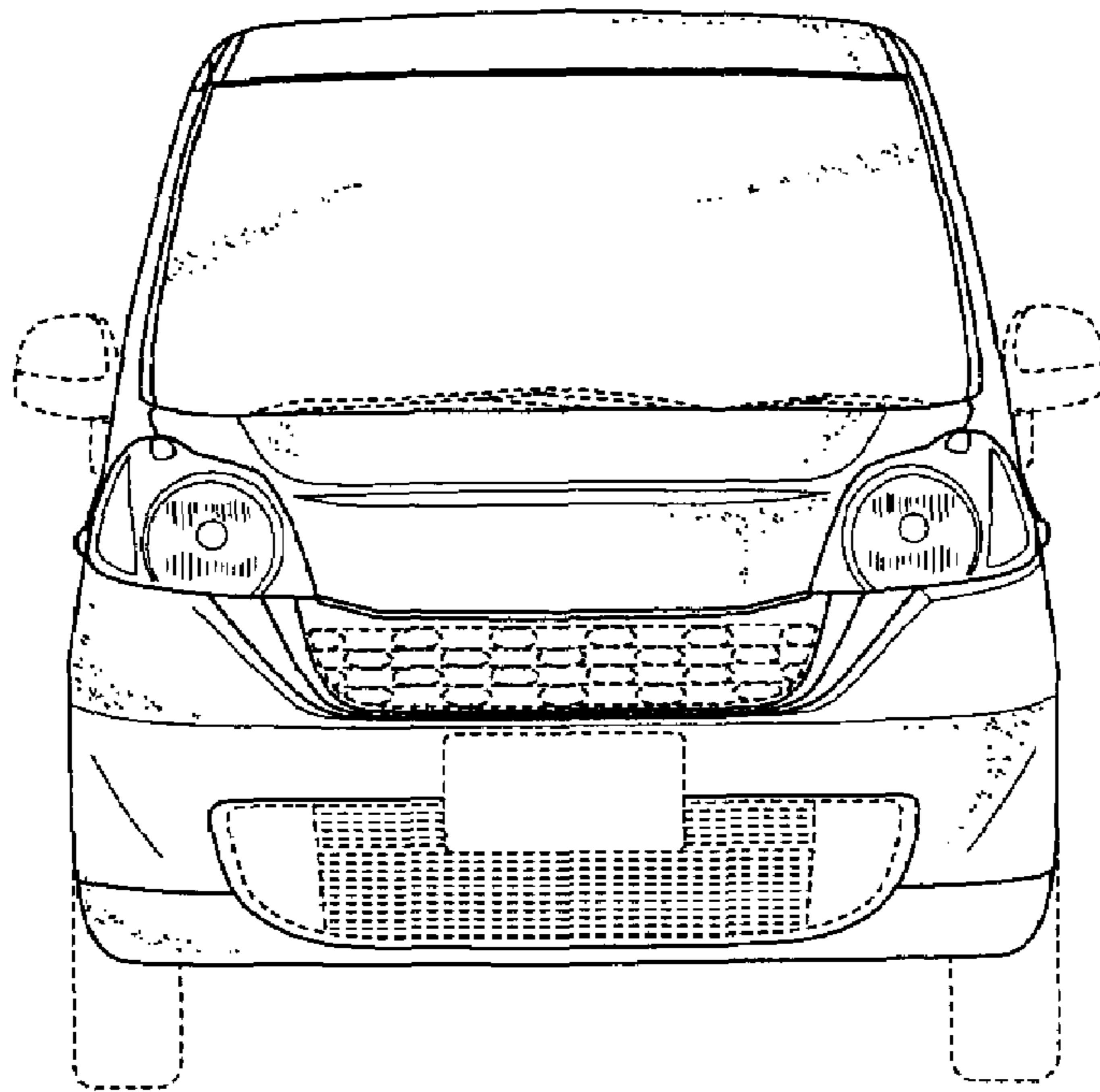


FIG. 5

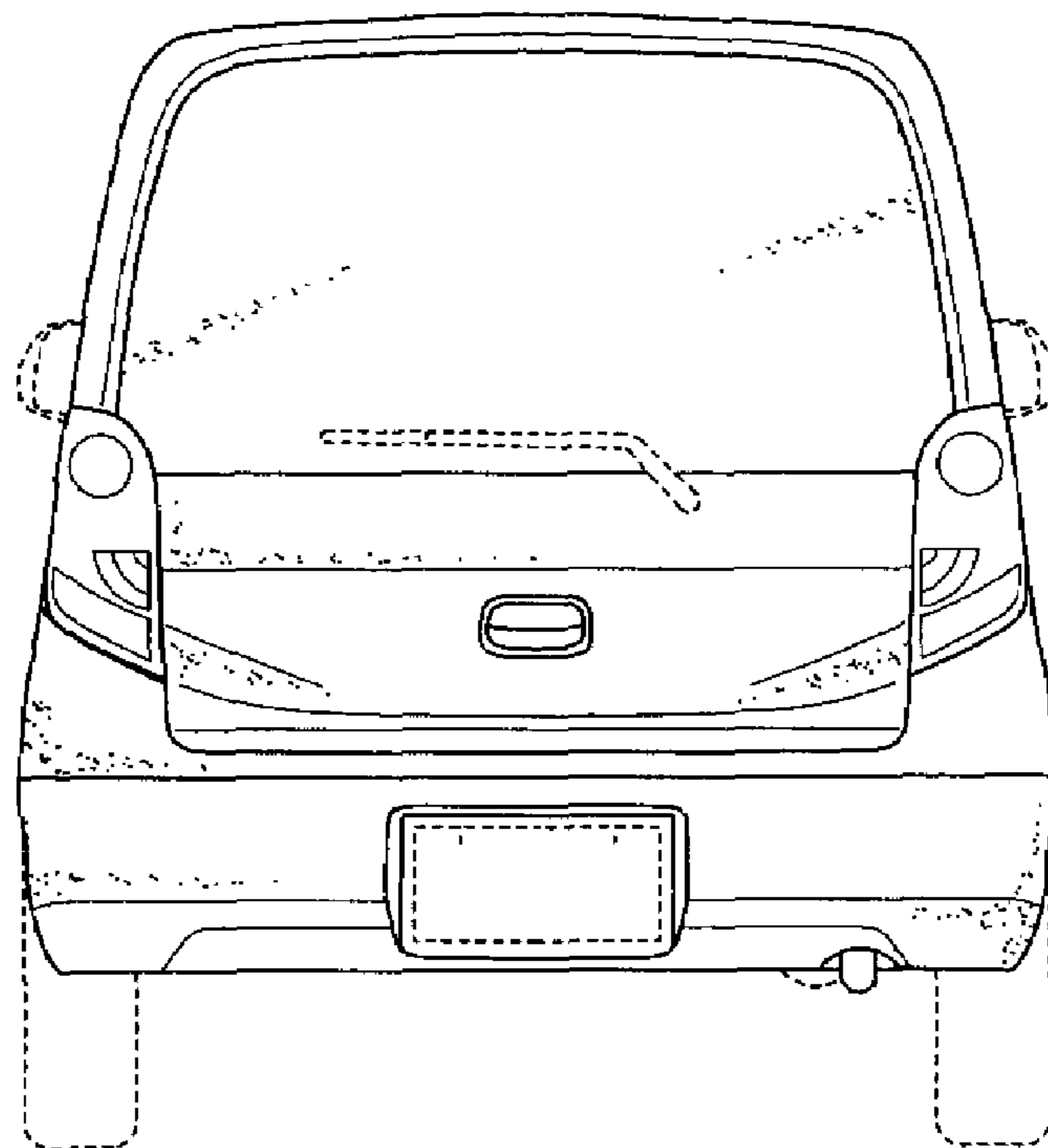


FIG. 6

