



US00D605555S

(12) **United States Design Patent**  
**Tanaka et al.**

(10) **Patent No.:** **US D605,555 S**  
(45) **Date of Patent:** **\*\* Dec. 8, 2009**

(54) **TRUCK**

(75) Inventors: **Shunji Tanaka**, Kobe (JP); **Toshiya Furuta**, Kobe (JP); **Kiyoto Hiwada**, Kobe (JP)

(73) Assignee: **Kawasaki Jukogyo Kabushiki Kaisha**, Kobe-shi, Hyogo (JP)

(\*\*) Term: **14 Years**

(21) Appl. No.: **29/301,463**

(22) Filed: **Feb. 28, 2008**

(51) **LOC (9) Cl.** ..... **12-13**

(52) **U.S. Cl.** ..... **D12/14**

(58) **Field of Classification Search** ..... D12/87,  
D12/86, 1, 433, 15, 16, 107, 82, 88, 89, 90,  
D12/91, 92, 93; D15/30; D21/803; 180/233,  
180/908; 280/DIG. 5, 183, 184, 185, 186,  
280/28, 37.7

See application file for complete search history.

(56) **References Cited**

**U.S. PATENT DOCUMENTS**

D439,548 S \* 3/2001 Kouchi et al. .... D12/1  
6,523,879 B2 \* 2/2003 Mizuta ..... 296/71  
D498,435 S 11/2004 Saito et al.  
D503,905 S \* 4/2005 Saito et al. .... D12/1  
D504,638 S \* 5/2005 Tanaka et al. .... D12/14

D511,317 S \* 11/2005 Tanaka et al. .... D12/1  
7,367,247 B2 \* 5/2008 Horiuchi et al. .... 74/606 R  
D578,433 S \* 10/2008 Kawaguchi et al. .... D12/14  
D578,934 S \* 10/2008 Tanaka et al. .... D12/14

\* cited by examiner

*Primary Examiner*—T. Chase Nelson

*Assistant Examiner*—Ania K Dworzecka

(74) *Attorney, Agent, or Firm*—Alleman Hall McCoy Russell & Tuttle LLP

(57) **CLAIM**

The ornamental design for a truck, as shown and described.

**DESCRIPTION**

FIG. 1 is a front perspective view of a design showing our new design;

FIG. 2 is a rear perspective view thereof;

FIG. 3 is a front elevation view thereof;

FIG. 4 is a rear elevation view thereof;

FIG. 5 is a top plan view thereof;

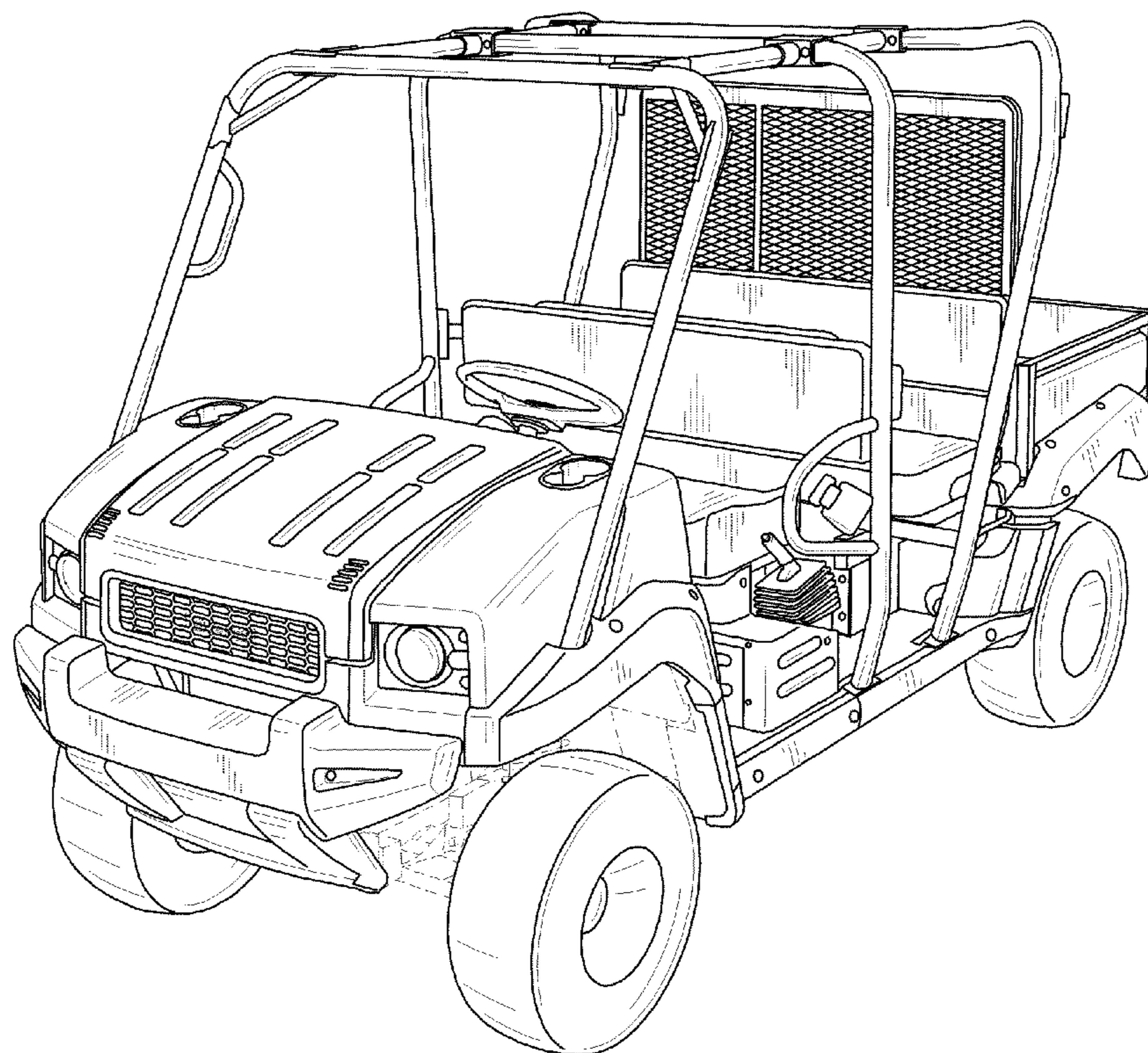
FIG. 6 is a bottom plan view thereof;

FIG. 7 is a right side elevation view thereof; and,

FIG. 8 is a left side elevation.

The portions shown in broken lines form no part of the claimed design.

**1 Claim, 8 Drawing Sheets**



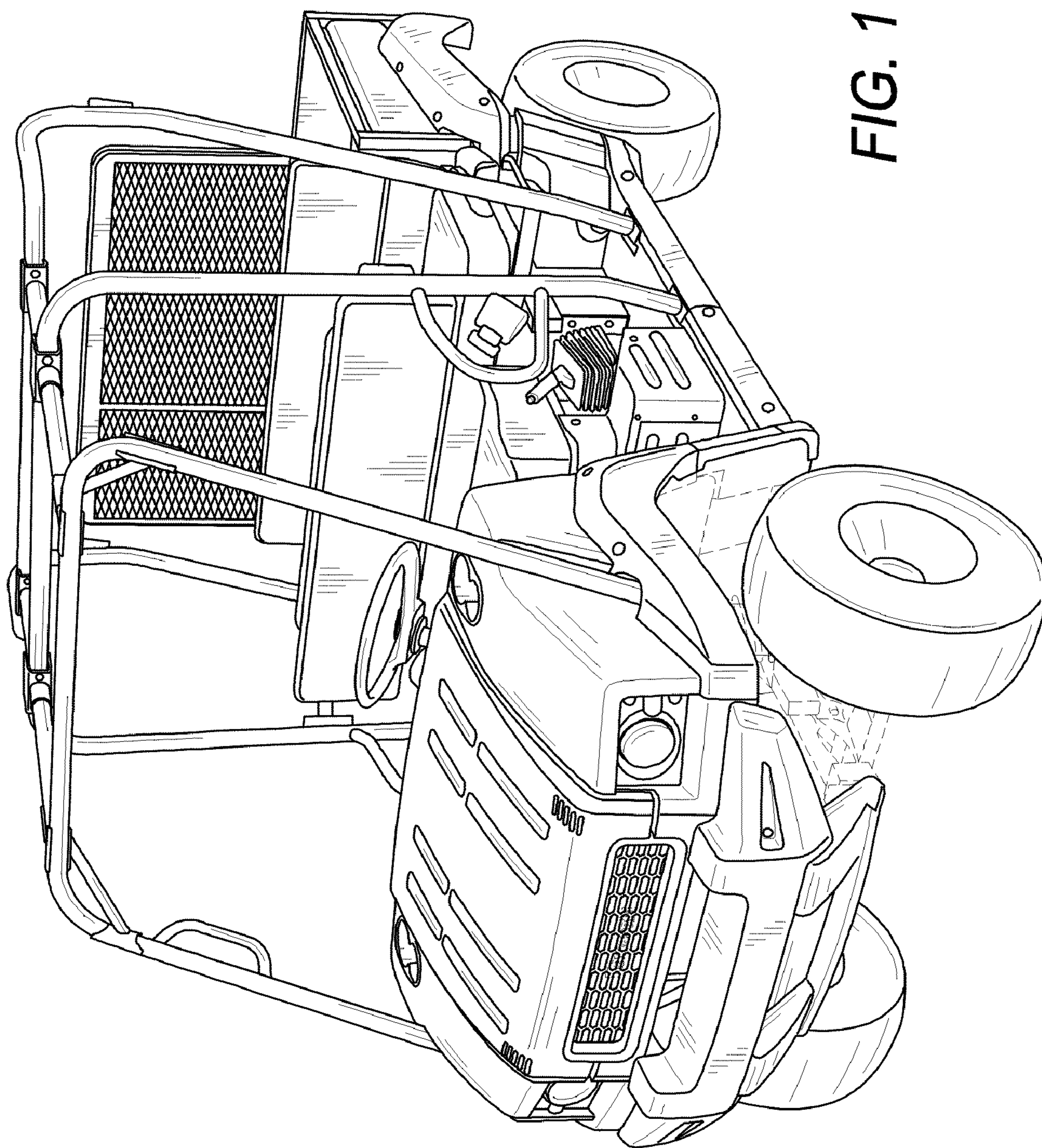


FIG. 1

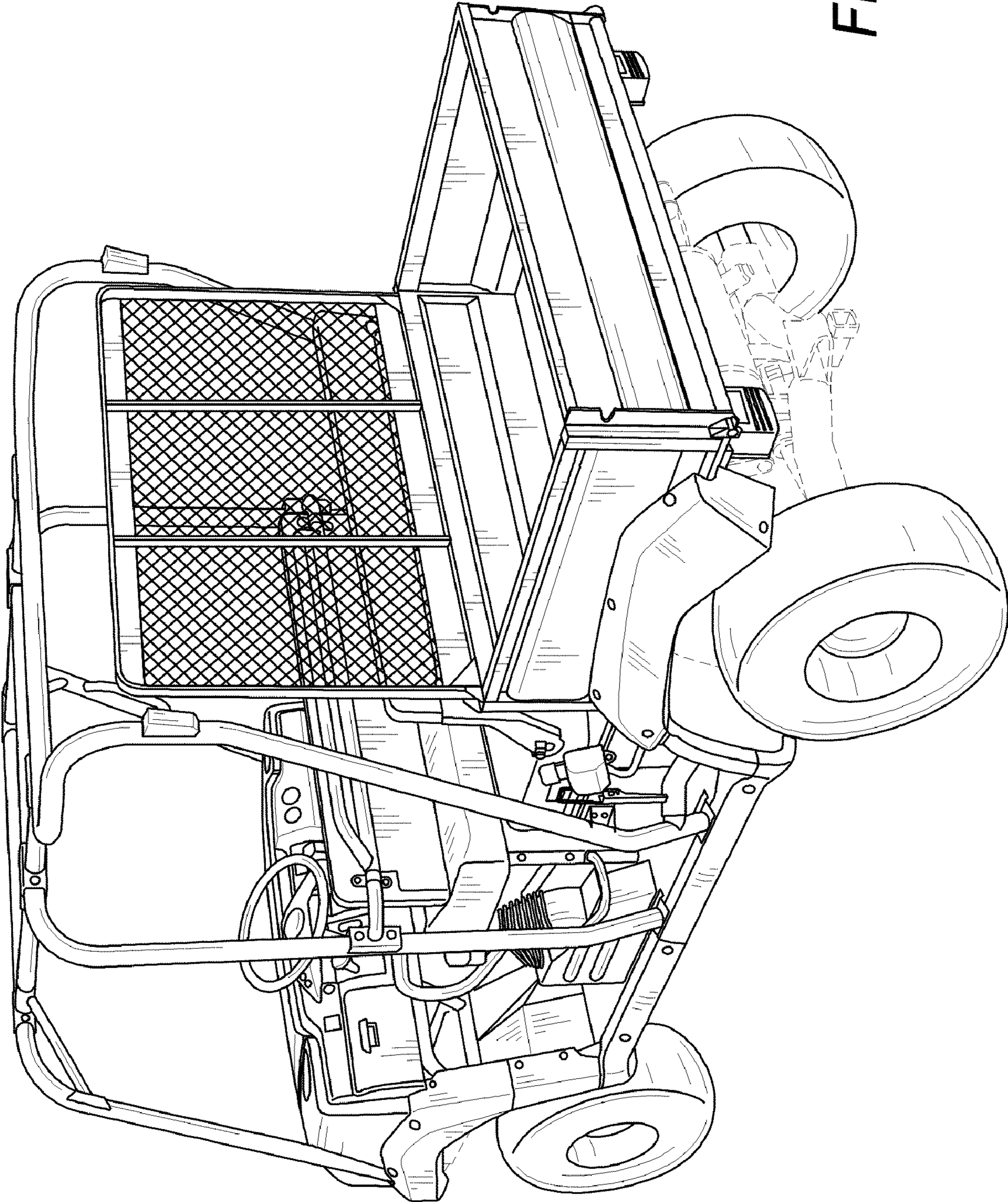
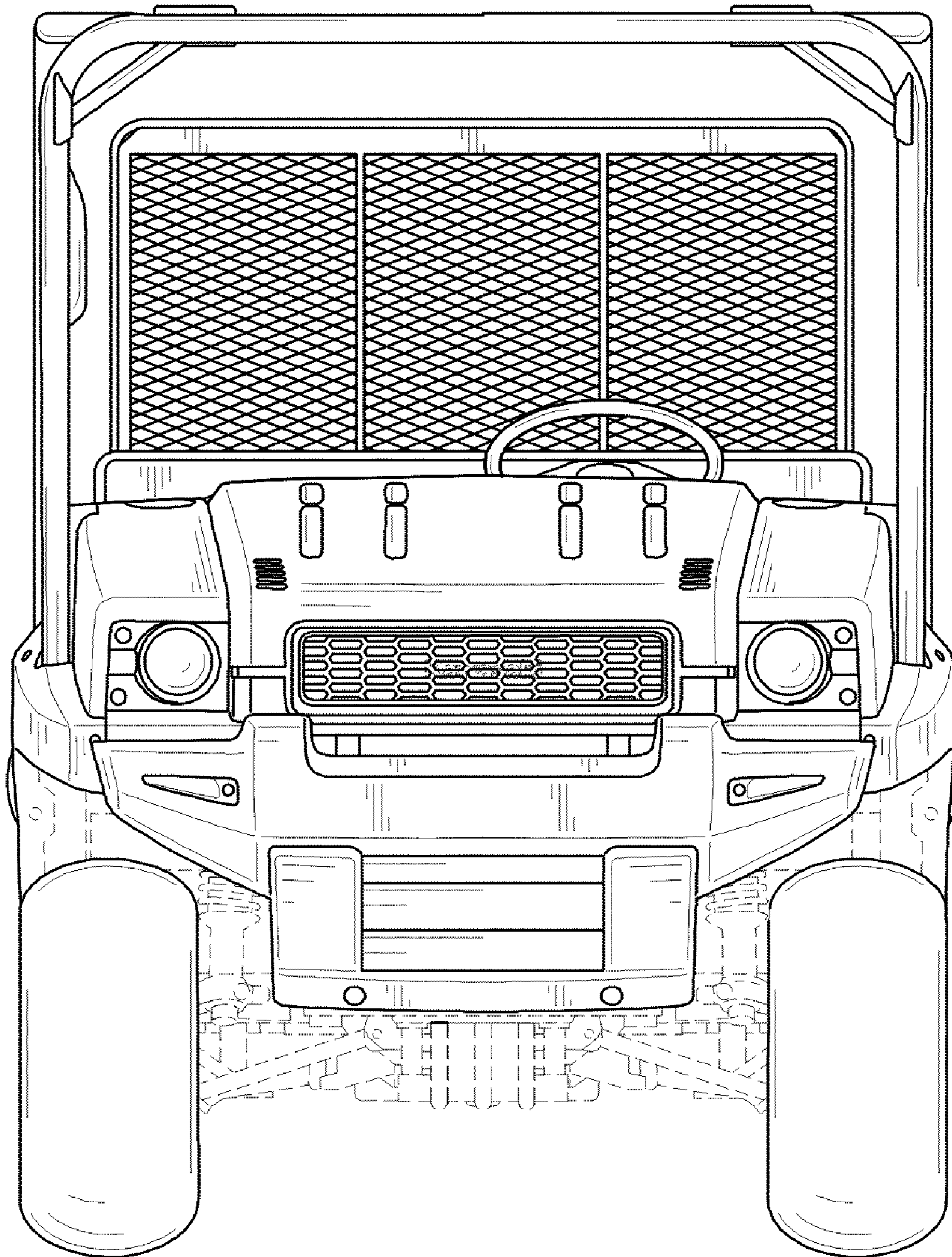
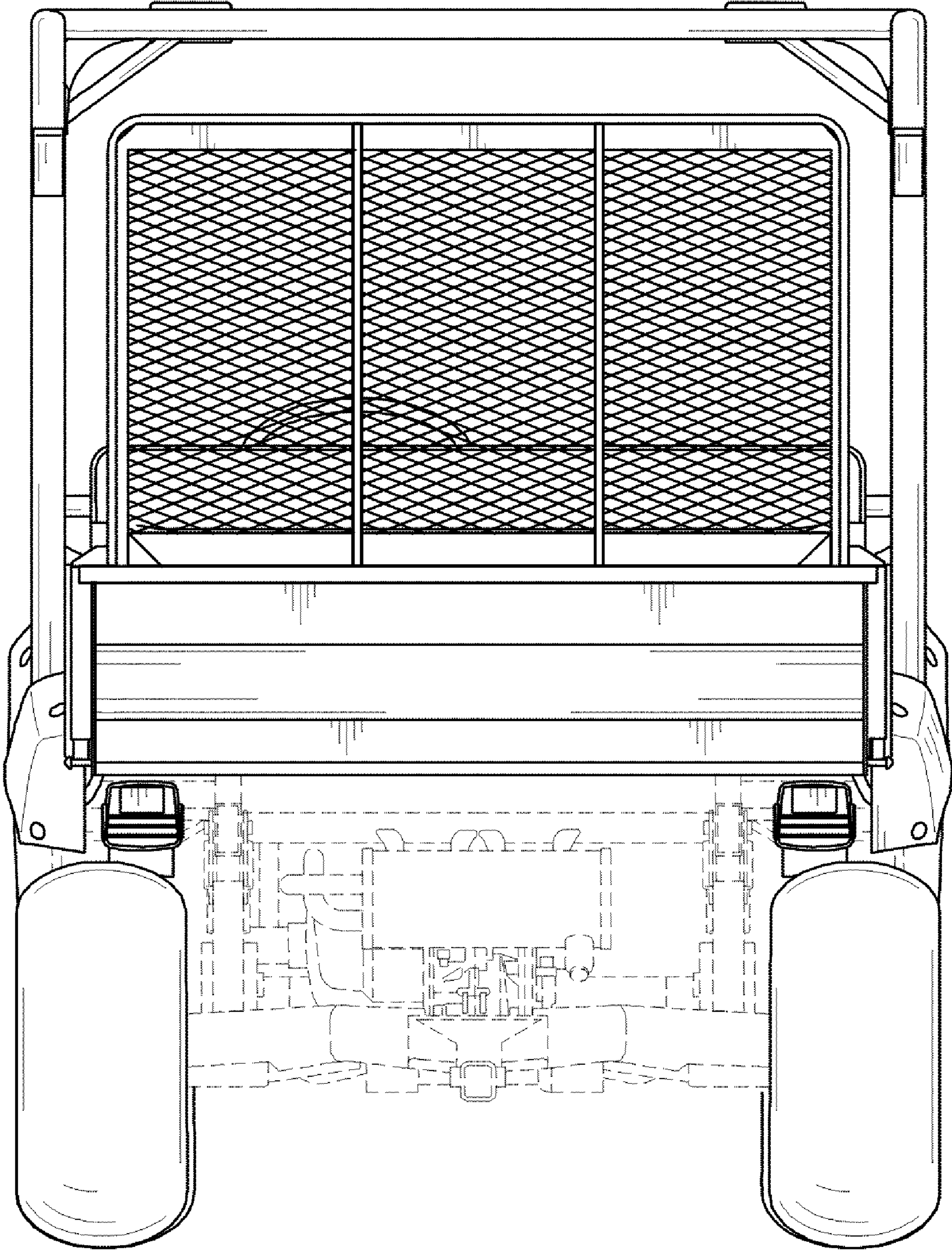


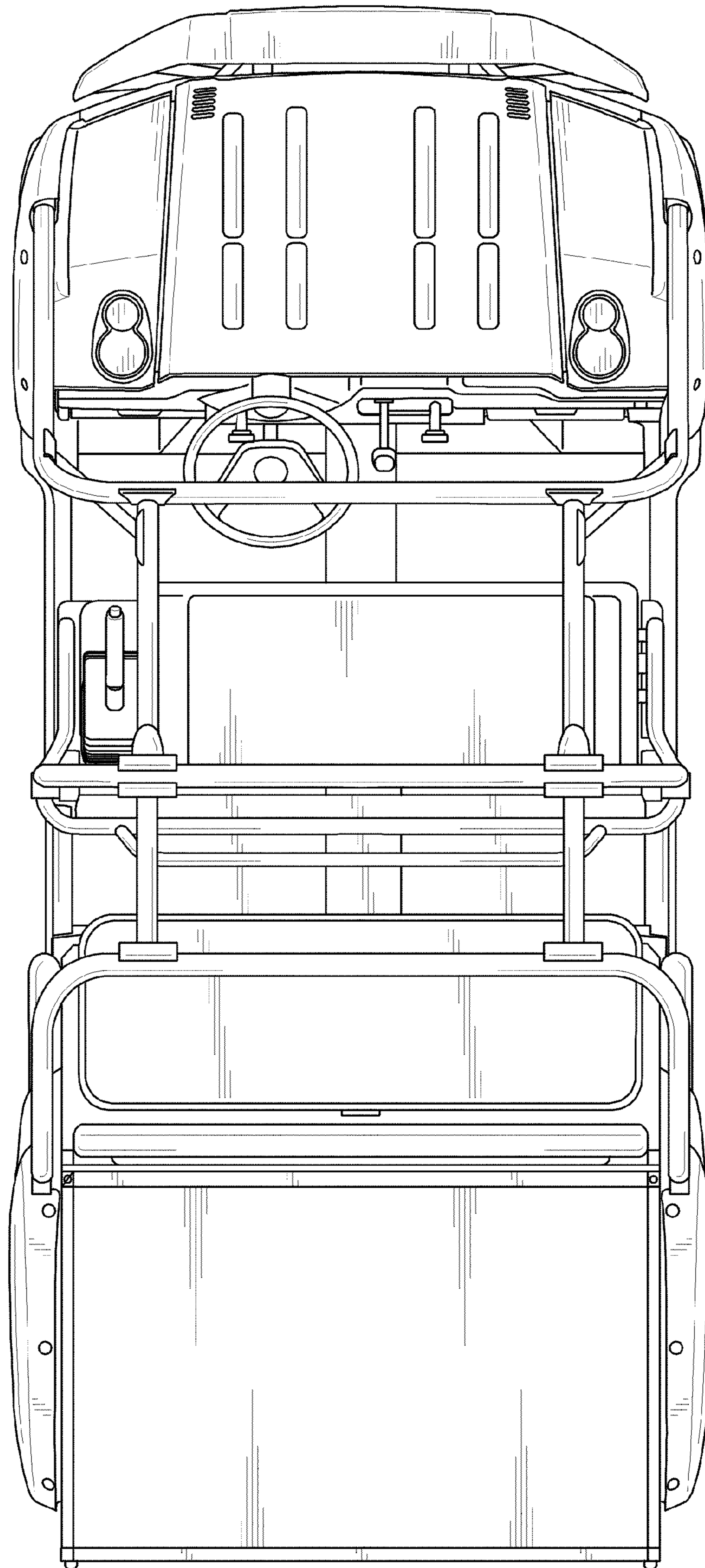
FIG. 2



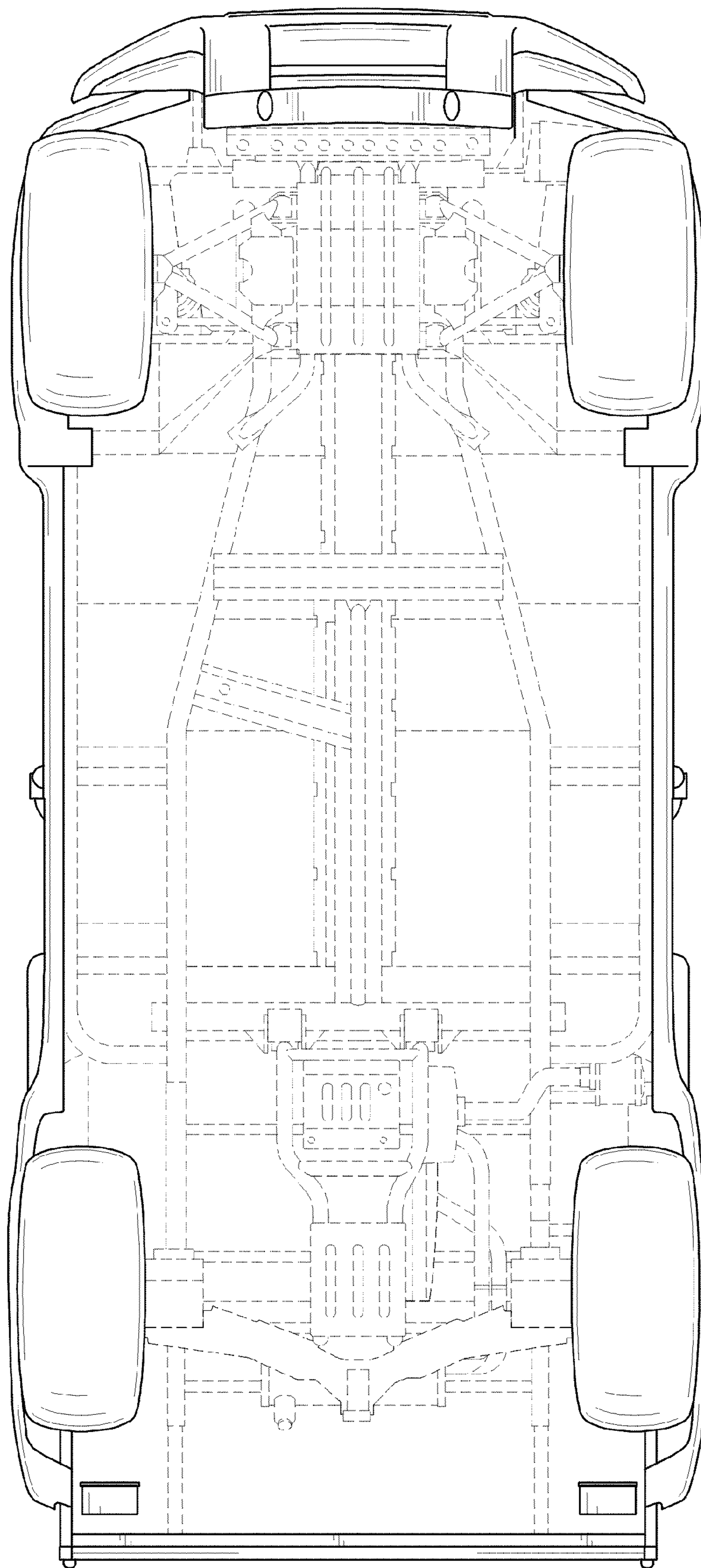
**FIG. 3**



**FIG. 4**



**FIG. 5**



**FIG. 6**

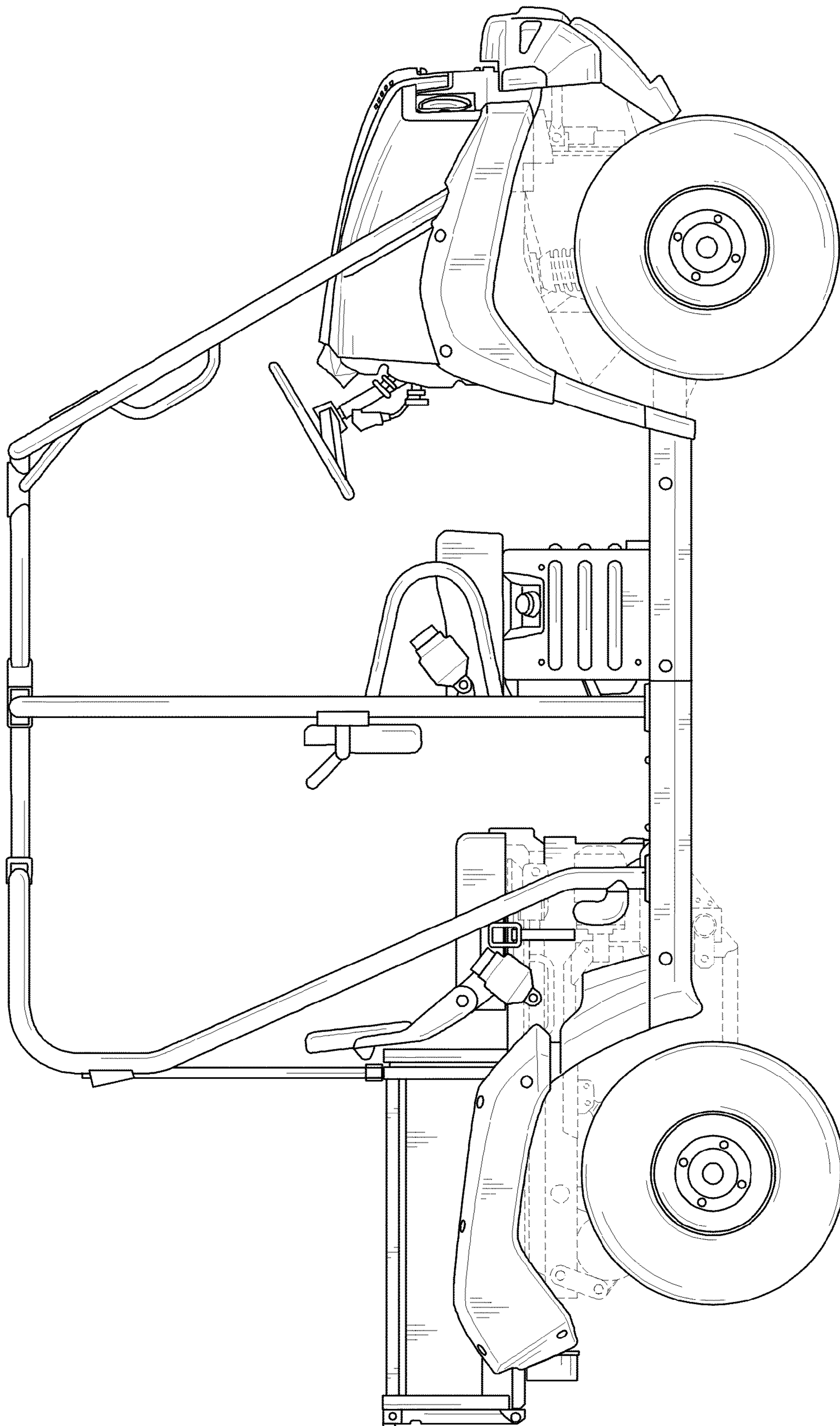


FIG. 7



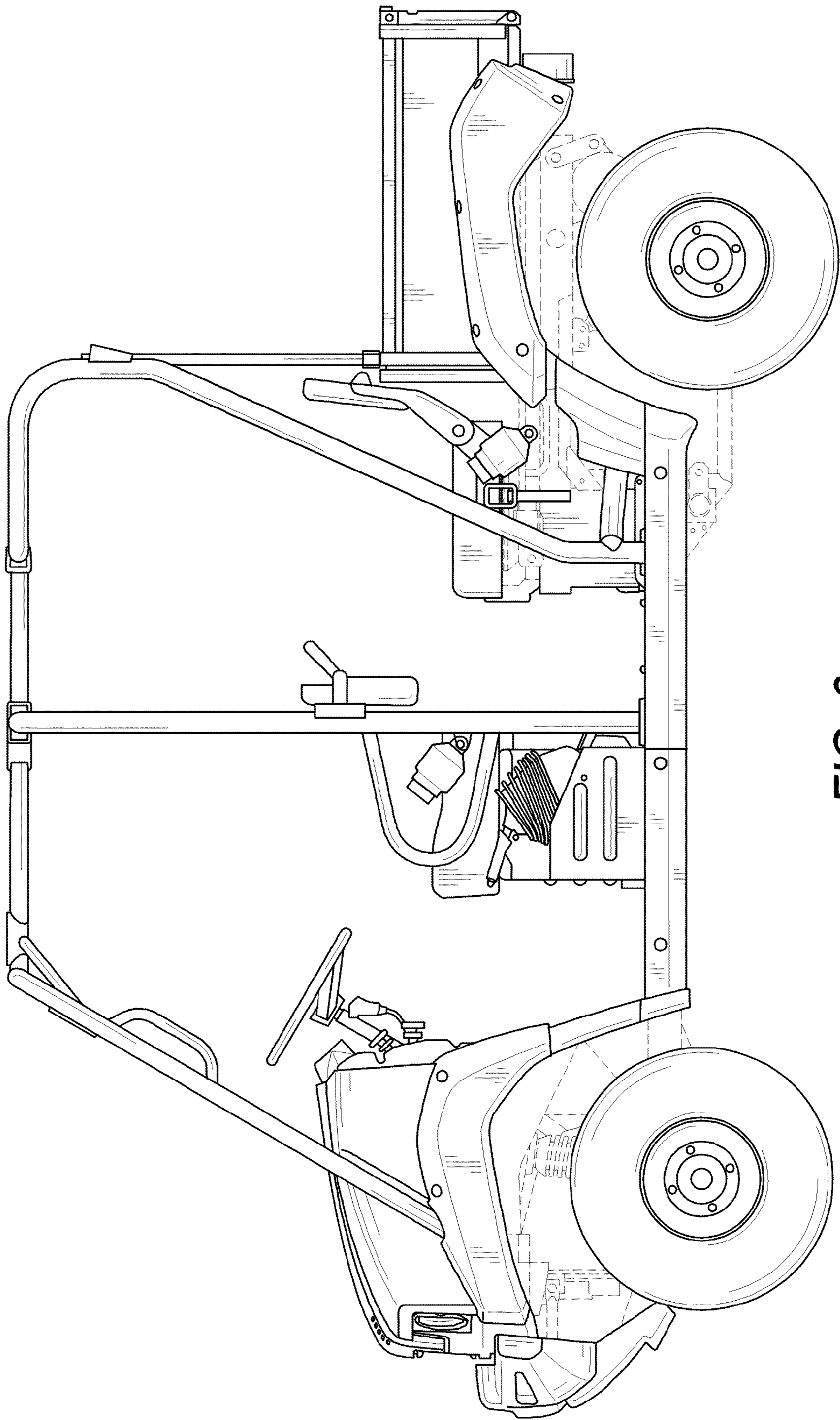


FIG. 8