



US00D605554S

(12) **United States Design Patent**
Yang

(10) **Patent No.:** **US D605,554 S**
(45) **Date of Patent:** **** Dec. 8, 2009**

(54) **BUCKLE**
(75) Inventor: **Shih-Sheng Yang**, Taipei Hsien (TW)
(73) Assignee: **Universal Trim Supply Co., Ltd.**,
Taipei Hsien (TW)
(**) Term: **14 Years**
(21) Appl. No.: **29/330,412**
(22) Filed: **Jan. 7, 2009**

5,709,014 A * 1/1998 Takahashi 24/614
6,925,692 B2 * 8/2005 Yang 24/681
D535,913 S * 1/2007 Yang D11/216
D535,914 S * 1/2007 Yang D11/216
D535,915 S * 1/2007 Yang D11/216
D536,278 S * 2/2007 Yang D11/216
D536,641 S * 2/2007 Yang D11/216
D537,015 S * 2/2007 Yang D11/216
D537,382 S * 2/2007 Yang D11/216
D568,784 S * 5/2008 Yang et al. D11/216
D568,786 S * 5/2008 Yang et al. D11/218
D581,835 S * 12/2008 Yang D11/218
D591,642 S * 5/2009 Henderson et al. D11/216

(30) **Foreign Application Priority Data**
Dec. 11, 2008 (TW) 97307008
(51) **LOC (9) Cl.** **02-07**
(52) **U.S. Cl.** **D11/216**
(58) **Field of Classification Search** D11/200,
D11/214, 215, 216, 218; D8/331; D3/215,
D3/221; 297/484; 280/801.1; 24/115 F,
24/163 R, 170, 171, 173, 177-179, 316, 326,
24/616, 644, 615, 625, 575, 591.1
See application file for complete search history.

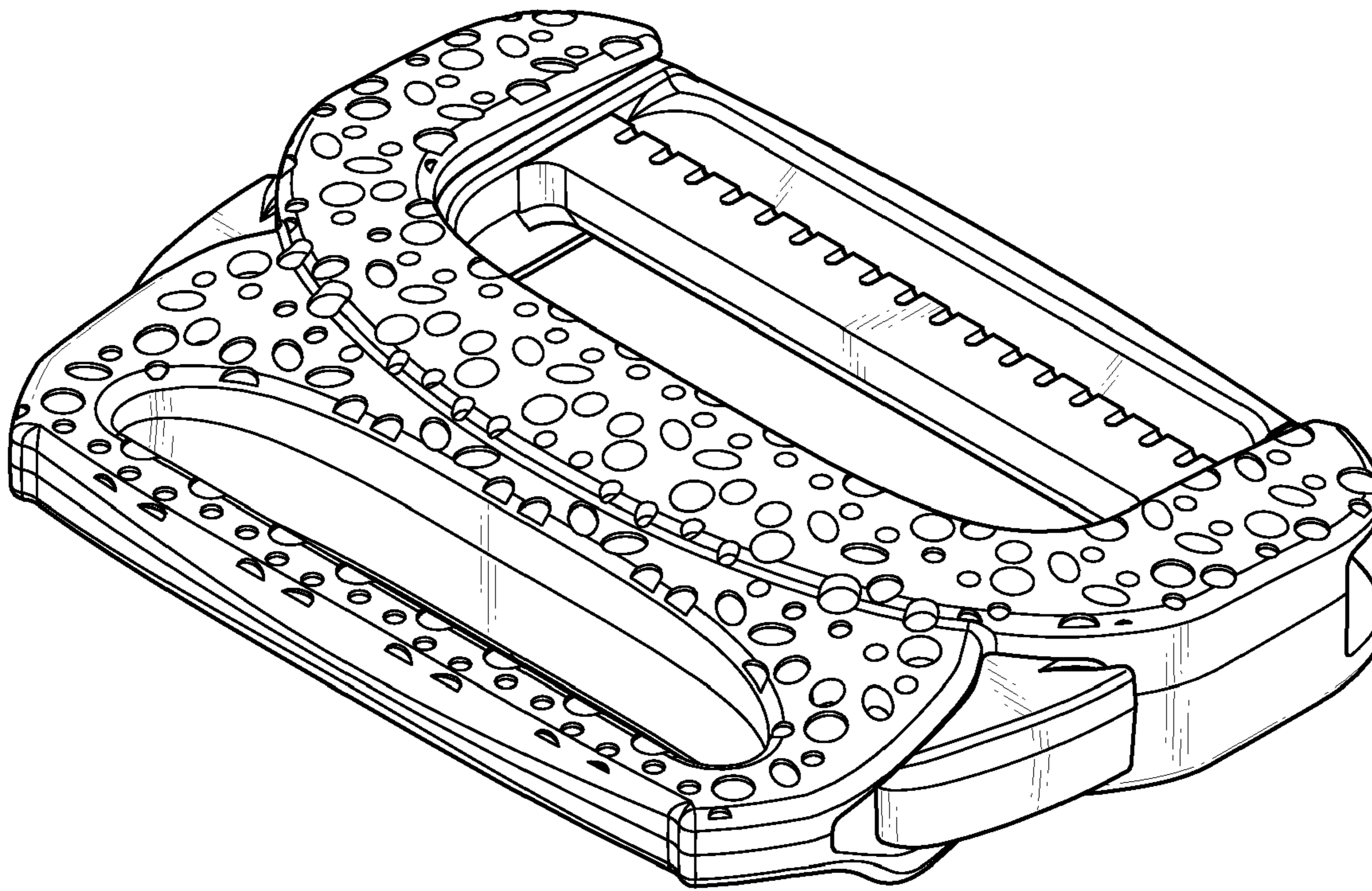
* cited by examiner
Primary Examiner—Paula Greene
(74) *Attorney, Agent, or Firm*—Leong C. Lei

(56) **References Cited**
U.S. PATENT DOCUMENTS
749,589 A * 1/1904 Smith 24/170
2,171,984 A * 9/1939 Mariani 24/178
2,377,287 A * 5/1945 White et al. 24/171
2,573,527 A * 10/1951 White 24/196
2,878,540 A * 3/1959 White 24/196
4,150,464 A * 4/1979 Tracy 24/313
5,113,556 A * 5/1992 Murai et al. 24/633

(57) **CLAIM**
The ornamental design for a buckle, as shown and described.

DESCRIPTION
FIG. 1 is a perspective view of a buckle showing my new design;
FIG. 2 is a front elevational view thereof;
FIG. 3 is a rear elevational view thereof;
FIG. 4 is a left side elevational view thereof;
FIG. 5 is a right side elevational view thereof;
FIG. 6 is a top plan view thereof; and,
FIG. 7 is a bottom plan view thereof.

1 Claim, 4 Drawing Sheets



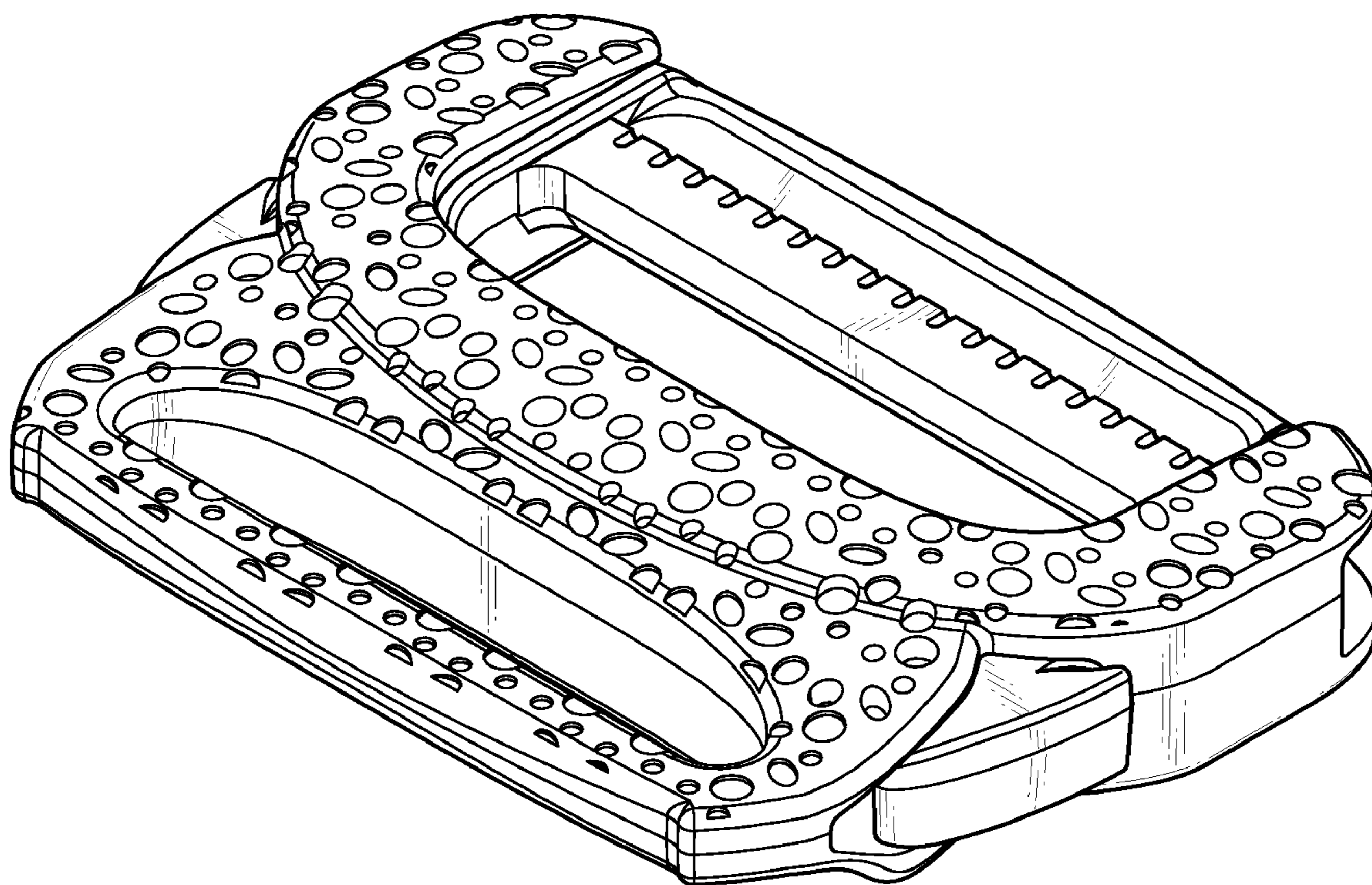


Fig. 1

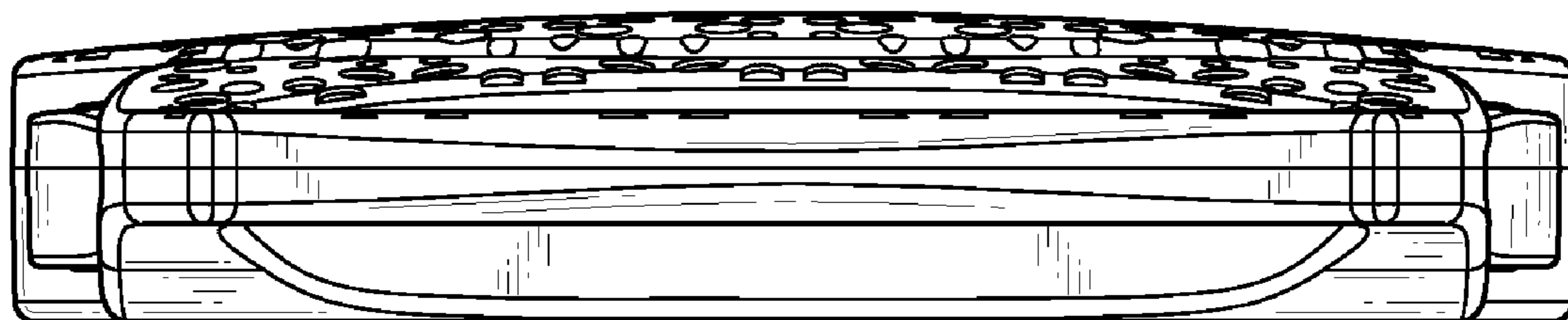


Fig. 2

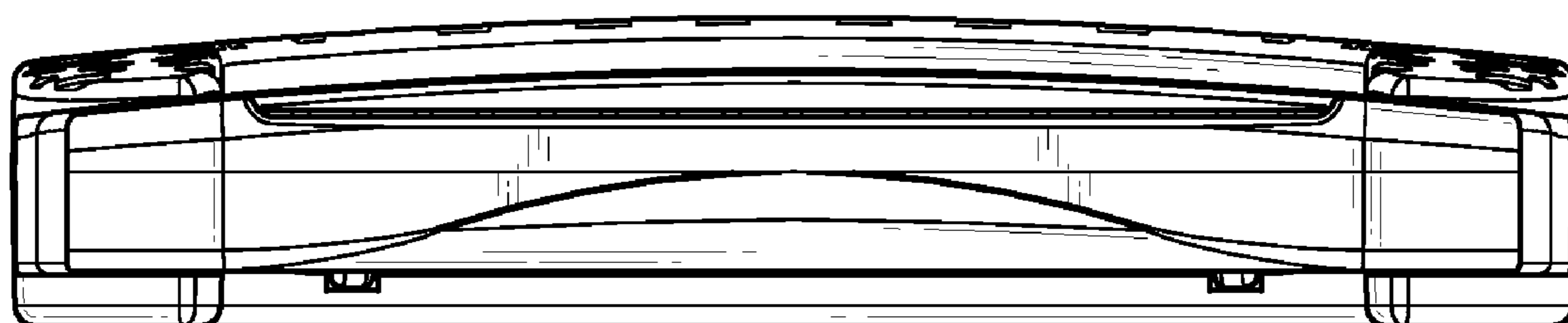


Fig. 3

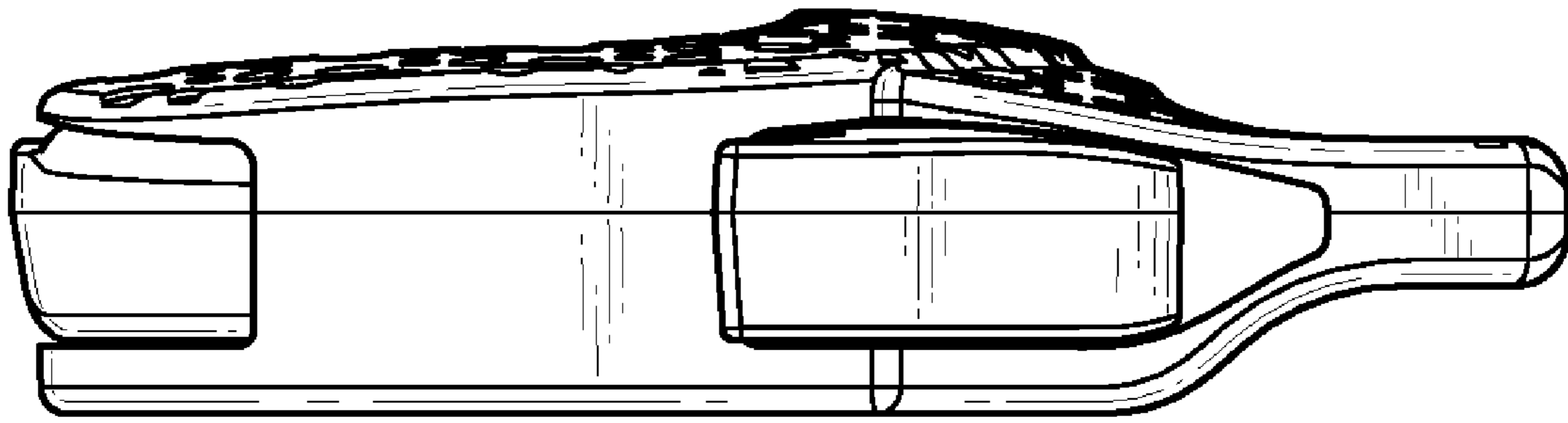


Fig. 4

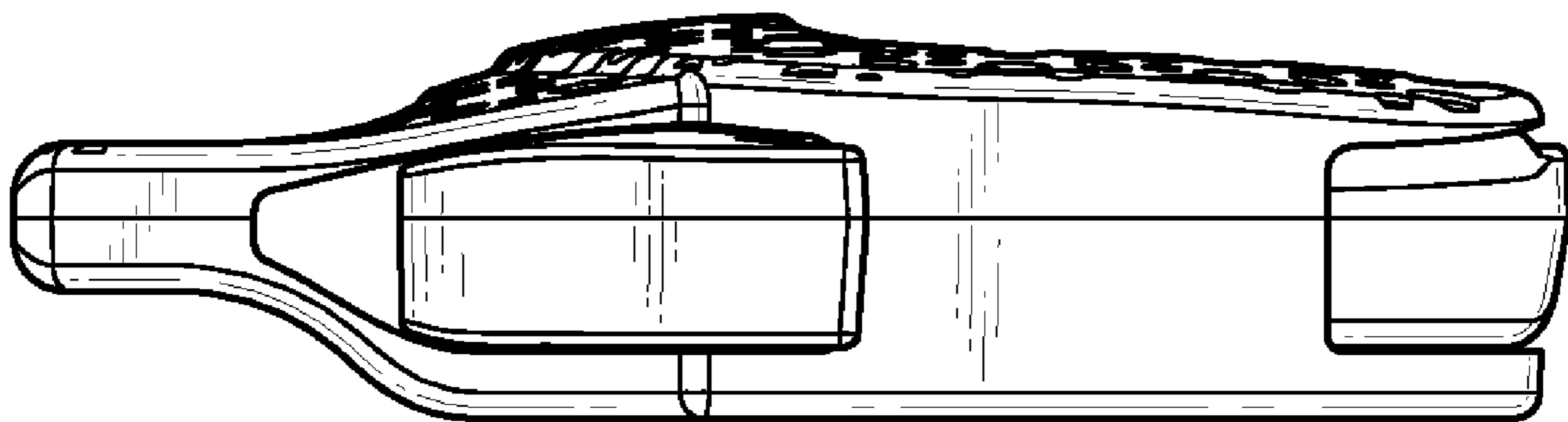


Fig. 5

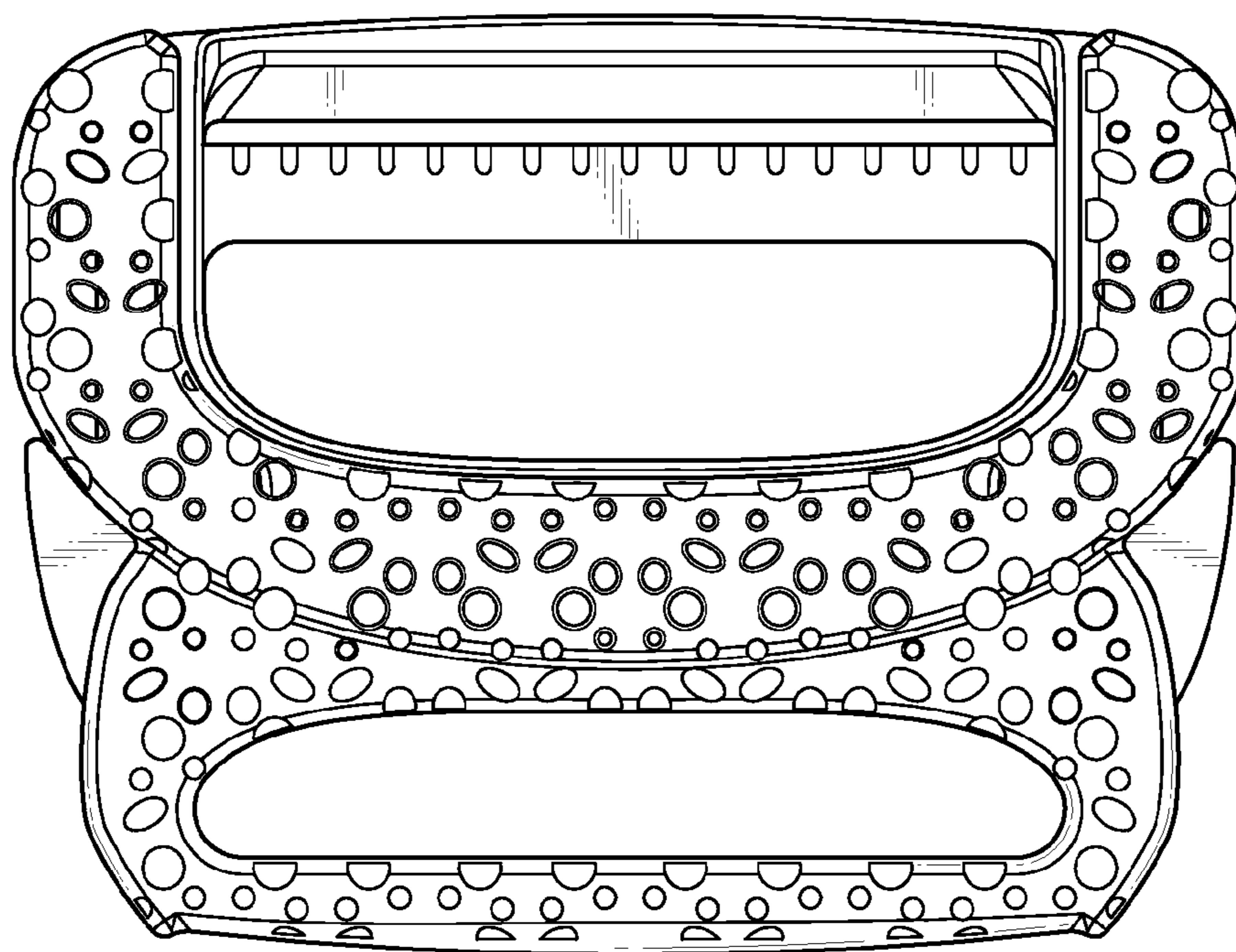


Fig. 6

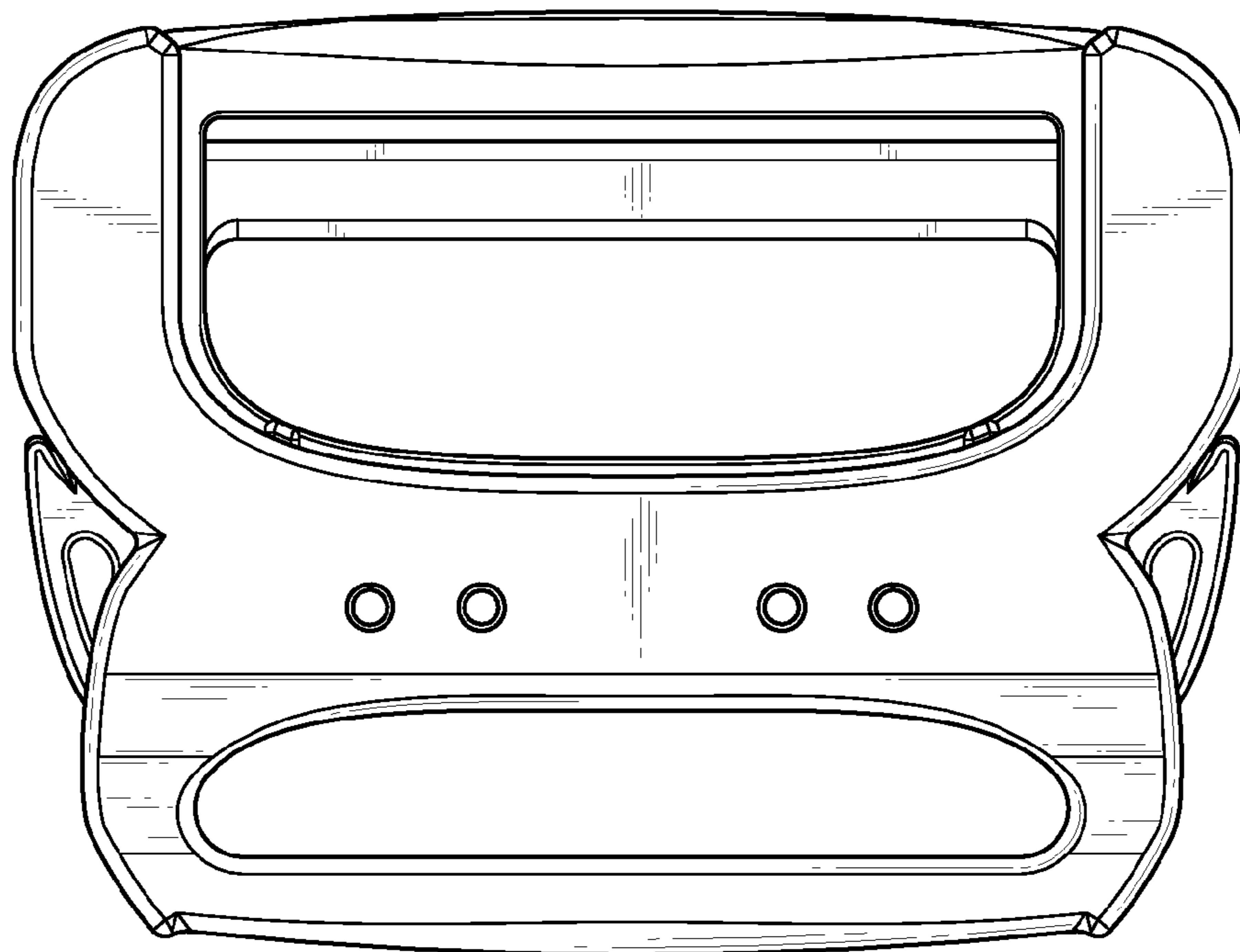


Fig. 7