



US00D605539S

(12) **United States Design Patent**
Hirai et al.

(10) **Patent No.:** **US D605,539 S**
(45) **Date of Patent:** **** Dec. 8, 2009**

(54) **POWER INCREASING DEVICE WITH A DISPLAY FOR WRENCH**

(75) Inventors: **Tatsuo Hirai**, Otsu (JP); **Yasunobu Kaneyama**, Osaka (JP)

(73) Assignee: **Maeda Metal Industries, Ltd.**, Osaka (JP)

(**) Term: **14 Years**

(21) Appl. No.: **29/310,775**

(22) Filed: **Sep. 9, 2008**

(30) **Foreign Application Priority Data**

Mar. 10, 2008 (JP) 2008-5857

(51) **LOC (9) Cl.** **10-04**

(52) **U.S. Cl.** **D10/85**

(58) **Field of Classification Search** D10/85;
D23/233, 236; 73/862.08, 862.11, 862.17,
73/862.21, 862.23, 862.26, 862.27, 862.29,
73/862.31, 862.37, 862.44, 862.191, 862.192,
73/862.193, 862.324, 862.326, 862.328,
73/862.329, 862.331, 862.332, 862.333,
73/862.338, 862.339

See application file for complete search history.

(56) **References Cited**

U.S. PATENT DOCUMENTS

D551,998 S * 10/2007 Hirai et al. D10/85
2006/0005637 A1 * 1/2006 Hirai et al. 73/862.21
2008/0295612 A1 * 12/2008 Rachui et al. 73/862.333

* cited by examiner

Primary Examiner—Antoine D Davis

(74) *Attorney, Agent, or Firm*—Eckert Seamans Cherin & Mellot, LLC; Kirk D. Houser, Esquire

(57) **CLAIM**

The ornamental design for power increasing device with a display for wrench, substantially as shown and described.

DESCRIPTION

The file of this patent contains at least one drawing/photograph executed in color. Copies of this patent with color drawing(s)/photograph(s) will be provided by the Office upon request and payment of the necessary fee. Any surface ornamentation, logos, written matter, etc. form no part of the claimed design.

FIG. 1 is a first perspective view of a power increasing device with a display for wrench, as seen from socket attached side;

FIG. 2 is a second perspective view of a power increasing device with a display for wrench, as seen from input side of hand wrench or the like;

FIG. 3 is a front view of a power increasing device with a display for wrench;

FIG. 4 is a rear view of a power increasing device with a display for wrench;

FIG. 5 is a left side view of a power increasing device with a display for wrench;

FIG. 6 is a right side view of a power increasing device with a display for wrench;

FIG. 7 is a top plan view of a power increasing device with a display for wrench;

FIG. 8 is a bottom plan view of a power increasing device with a display for wrench; and,

FIG. 9 is a third perspective view of a power increasing device with a display for wrench; with a reaction force receiver and socket being attached.

1 Claim, 5 Drawing Sheets
(5 of 5 Drawing Sheet(s) Filed in Color)



FIG. 1



FIG. 2



FIG. 3



FIG. 4



FIG. 5



FIG. 6



FIG. 7

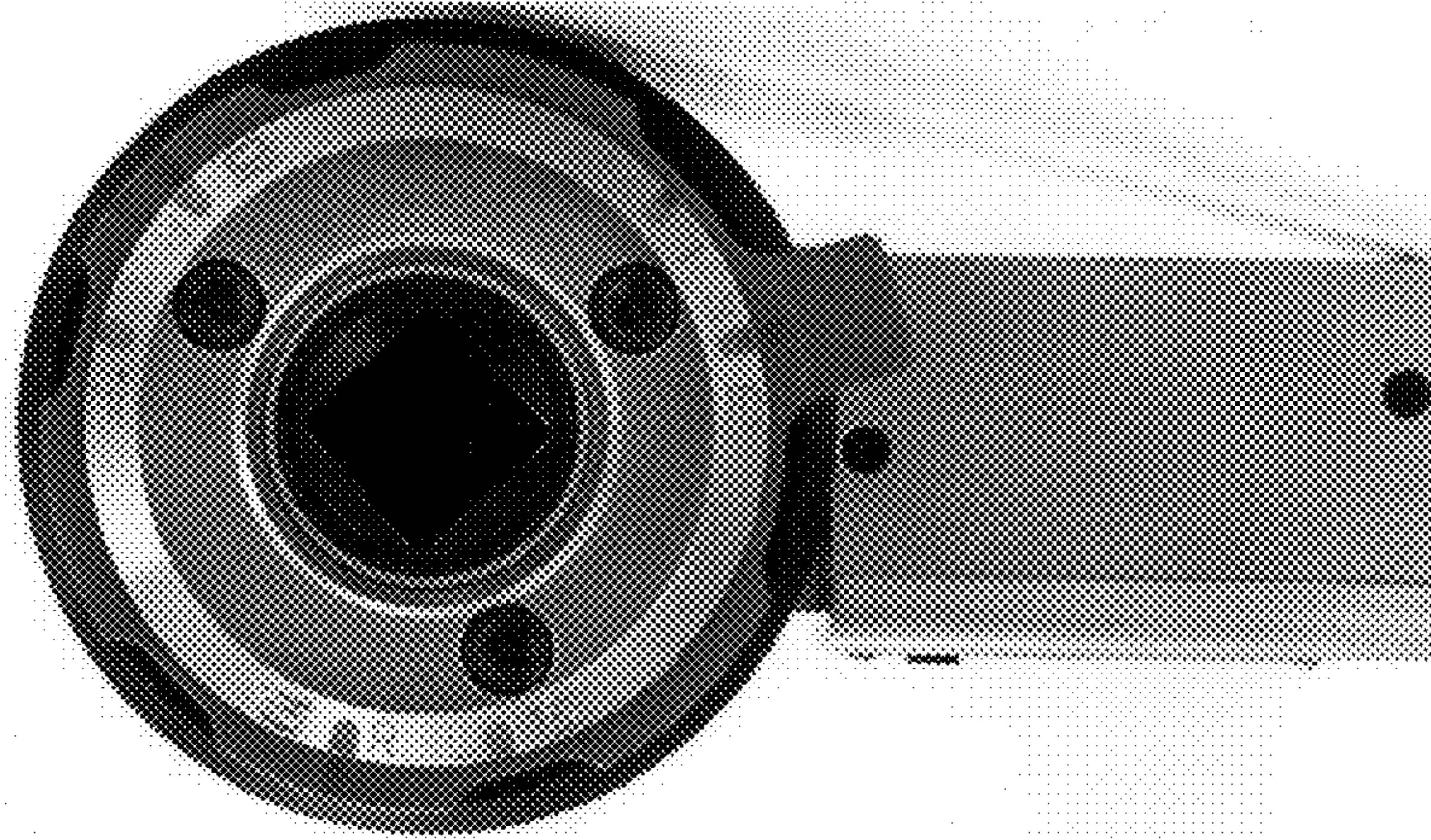


FIG. 8

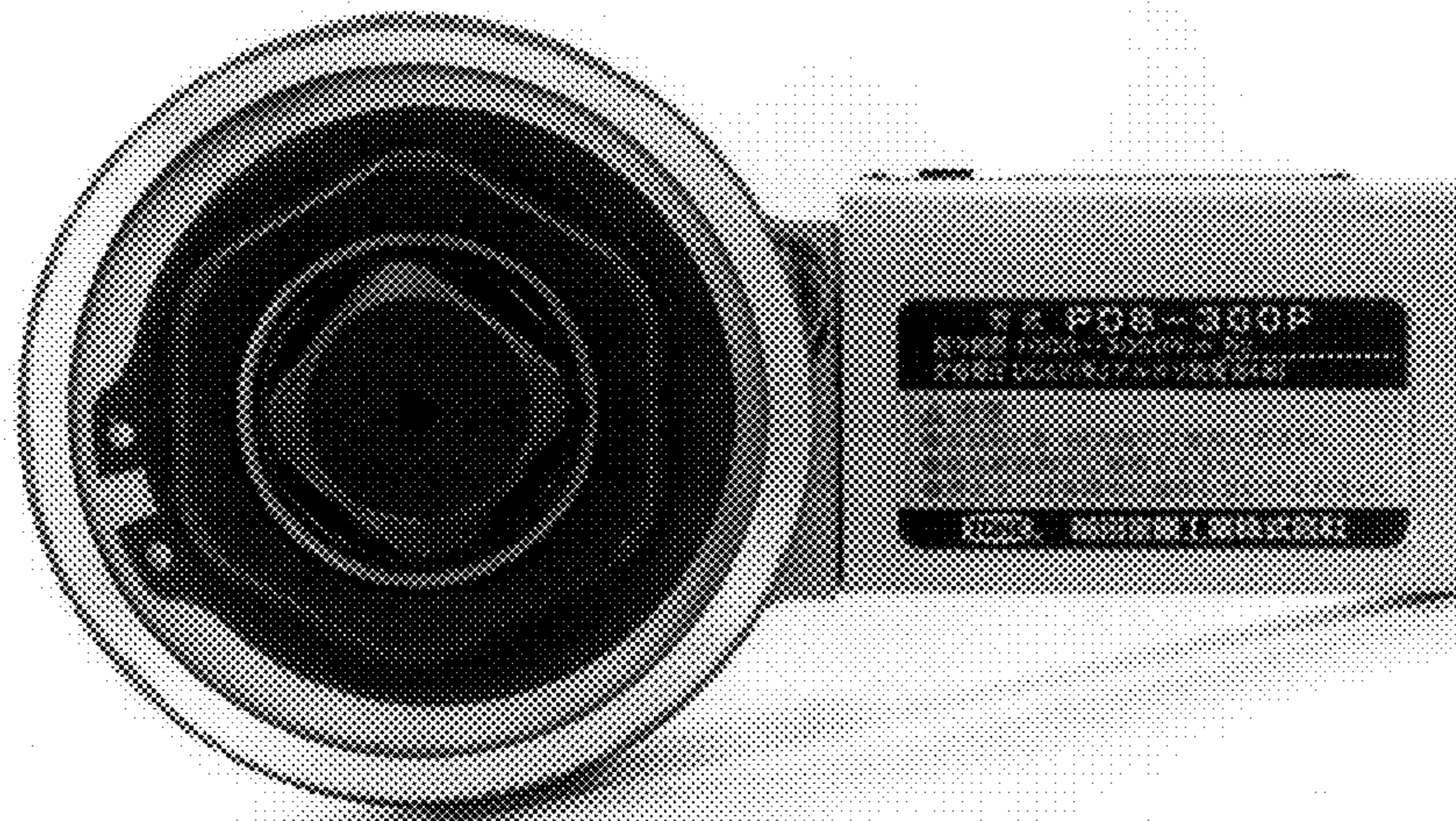


FIG. 9

