



US00D605538S

(12) **United States Design Patent**
Scheyer

(10) **Patent No.:** **US D605,538 S**
(45) **Date of Patent:** **** Dec. 8, 2009**

(54) **FLOOR CROSS LASER MEASURING INSTRUMENT**

(75) Inventor: **Mag. Wolfgang Scheyer**, Götzis (AT)
(73) Assignee: **SOLA-Messwerkzeuge GmbH**, Götzis (AT)
(**) Term: **14 Years**
(21) Appl. No.: **29/287,148**
(22) Filed: **Jul. 3, 2007**

(51) **LOC (9) Cl.** **10-04**
(52) **U.S. Cl.** **D10/70**
(58) **Field of Classification Search** D10/46;
33/276, 277, 281, 285, 286, 290, 291-299,
33/DIG. 21; 264/1.24-1.25; 340/573.1-573.4,
340/539, 825.36, 825.46, 825.49, 357.02;
356/4.01, 5.01, 5.08, 4.05, 5.07, 5.09, 5.12,
356/28.5, 245, 375, 3.01, 5.06, 128-155,
356/399, 400; 385/83, 97-99, 134-139;
701/211-213; 702/150, 158, 208

See application file for complete search history.

(56) **References Cited**

U.S. PATENT DOCUMENTS

D328,436 S * 8/1992 Fuerst et al. D10/70
(Continued)

FOREIGN PATENT DOCUMENTS

AT 504 565 6/2008
(Continued)

OTHER PUBLICATIONS

Austrain Search Report (with English Translation) issued Oct. 10, 2007 in the Austrian Patent Application No. A 1955/2006, which is a foreign counterpart of the present application.
(Continued)

Primary Examiner—Antoine D Davis

(74) *Attorney, Agent, or Firm*—Wenderoth, Lind & Ponack, L.L.P.

(57) **CLAIM**

The ornamental design for a floor cross laser measuring instrument, as shown and described.

DESCRIPTION

FIG. 1 is a top plan view of a floor cross laser measuring instrument according to a first embodiment of the present invention;

FIG. 2 is a bottom plan view of the floor cross laser measuring instrument according to the first embodiment;

FIG. 3 is a front view of the floor cross laser measuring instrument according to the first embodiment;

FIG. 4 is a rear view of the floor cross laser measuring instruments according to the first embodiment;

FIG. 5 is a right side view of the floor cross laser measuring instrument according to the first embodiment;

FIG. 6 is a left side view of the floor cross laser measuring instrument according to the first embodiment;

FIG. 7 is a prospective view of the floor cross laser measuring instrument according to the first embodiment of the present invention as seen from the front, top and right sides thereof;

FIG. 8 is a top plan view of a floor cross laser measuring instrument according to a second embodiment of the present invention;

FIG. 9 is a bottom plan view of the floor cross laser measuring instrument according to the second embodiment;

FIG. 10 is a front view of the floor cross laser measuring instrument according to the second embodiment;

FIG. 11 is a rear view of the floor cross laser measuring instruments according to the second embodiment;

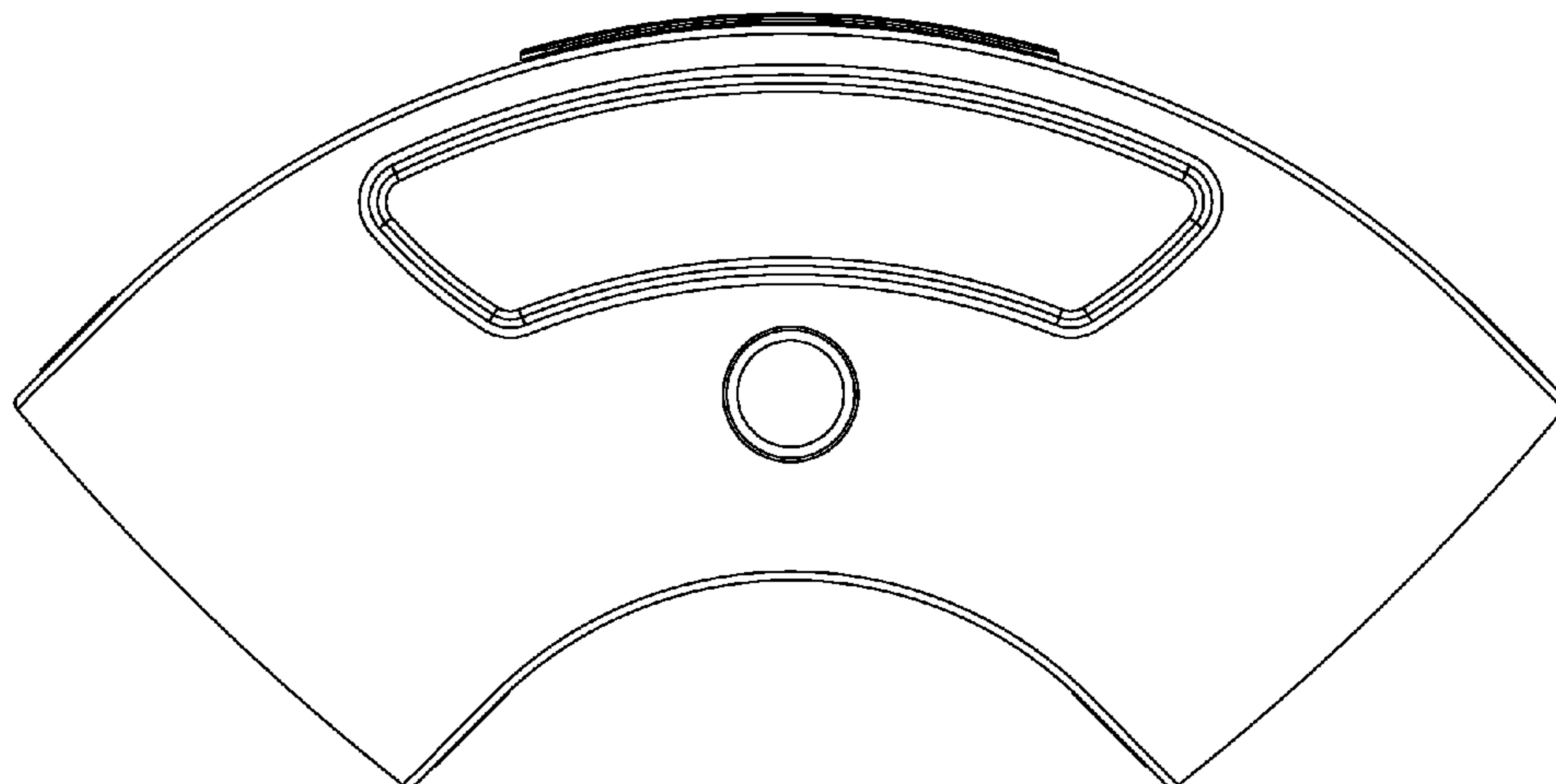
FIG. 12 is a right side view of the floor cross laser measuring instrument according to the second embodiment;

FIG. 13 is a left side view of the floor cross laser measuring instrument according to the second embodiment; and,

FIG. 14 is a prospective view of the floor cross laser measuring instrument according to the second embodiment of the present invention as seen from the front, top and right sides thereof.

In particular, each of embodiments 1 (FIGS. 1-7) and 2 (FIGS. 8-14) is a laser for projection of intersecting marker lines, i.e., a so-called cross laser. Further, color forms no part of the claimed design.

1 Claim, 14 Drawing Sheets



US D605,538 S

Page 2

U.S. PATENT DOCUMENTS

5,218,770 A 6/1993 Toga
6,065,217 A 5/2000 Dong
D432,930 S * 10/2000 Sanoner D10/70
6,202,312 B1 3/2001 Rando
6,694,629 B2 2/2004 Goodrich
7,392,591 B2 7/2008 Milligan et al.
7,434,322 B2 10/2008 Walser et al.
2002/0066191 A1 6/2002 Hsu
2003/0009891 A1 1/2003 Ohtomo et al.
2006/0112576 A1 6/2006 Lu
2008/0301955 A1 12/2008 Scheyer

FOREIGN PATENT DOCUMENTS

CH 134174 6/2009
CN 101226060 7/2008
CN 200730158194.9 7/2008
CN 200730158197.2 7/2008
CN 200730158195.3 8/2008
CN 200730158196.8 8/2008
CN 200730158198.7 8/2008
EM 000646864-0001 1/2007

EM 000646864-0002 1/2007
EM 000646864-0003 1/2007
EM 000646864-0004 1/2007
EM 000646864-0005 1/2007
EM 000646864-0006 1/2007
EM 000646864-0007 1/2007
EM 000646864-0008 1/2007
EM 000646864-0009 1/2007
EM 000646864-0010 1/2007
EP 1 925 911 5/2008
WO 2006/125463 11/2006

OTHER PUBLICATIONS

Kreuzlinienlaser (Crossline laser). Bedienungsanleitung (Instruction Sheet) [online] Westfalia Werkzeug GmbH & Co KG, Oct. 1, 2005 [downloaded on Oct. 8, 2007]. Downloaded from the Internet<URL: http://www2.westfalia.de/service/dat_down.php?datei_id=53941>. Sola Product Management, Product-Description FCL, "Product-Description FCL (Floor-Cross-Laser)", published Apr. 16, 2009, p. 1.
Office Action dated May 29, 2009 in U.S. Appl. No. 11/984,927, which is a US counterpart of the present application.

* cited by examiner

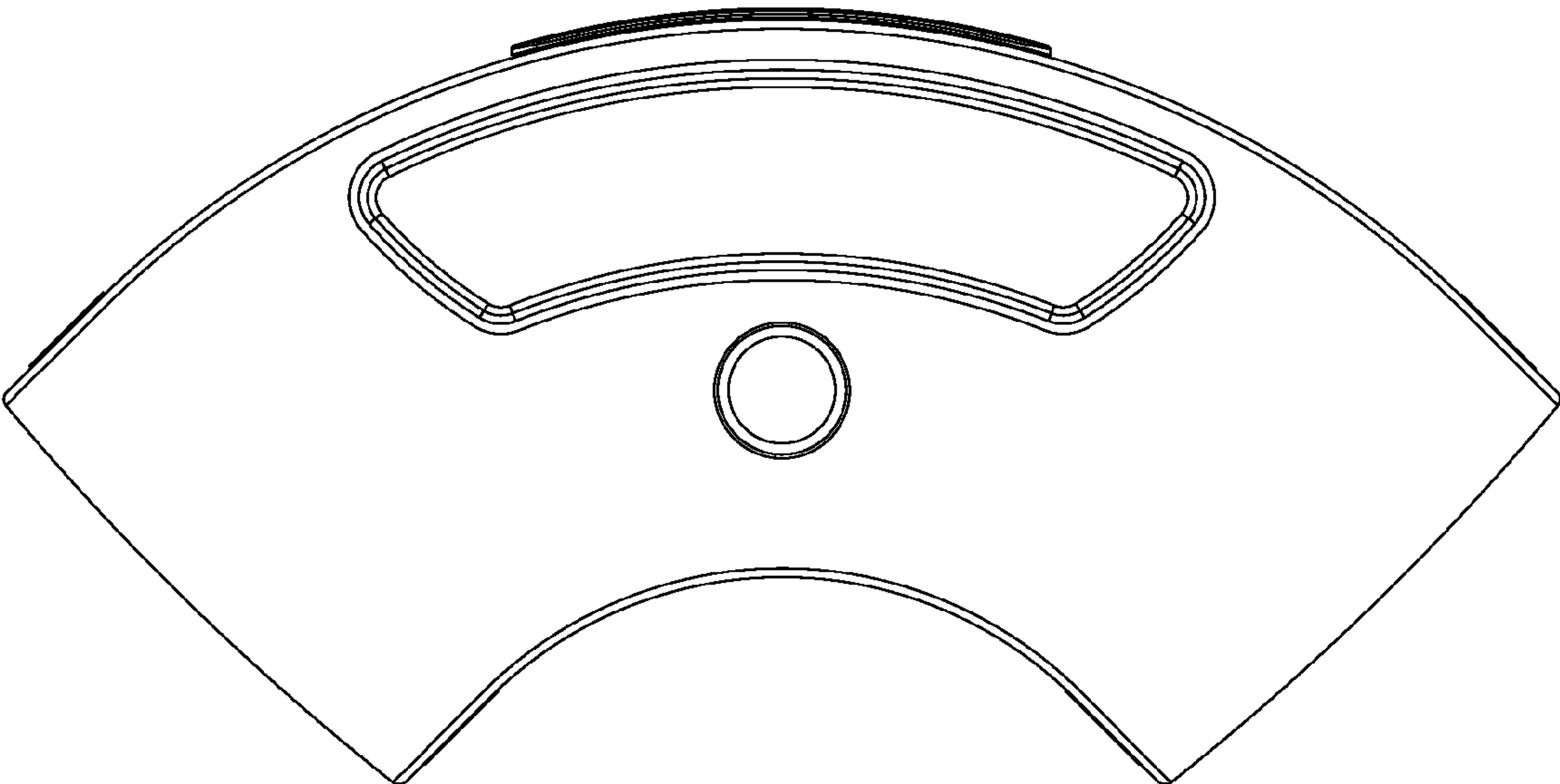


FIG.1

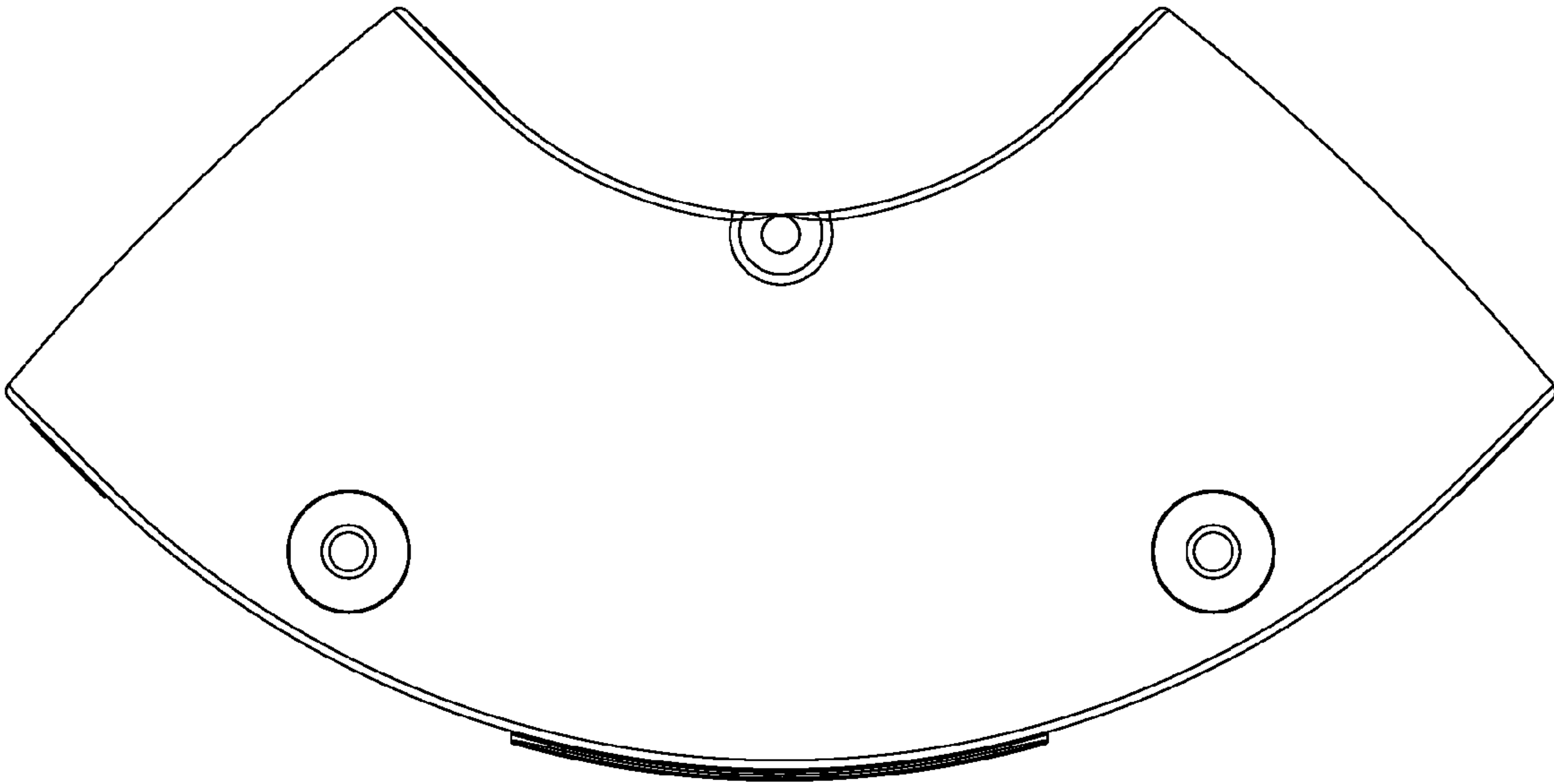


FIG.2

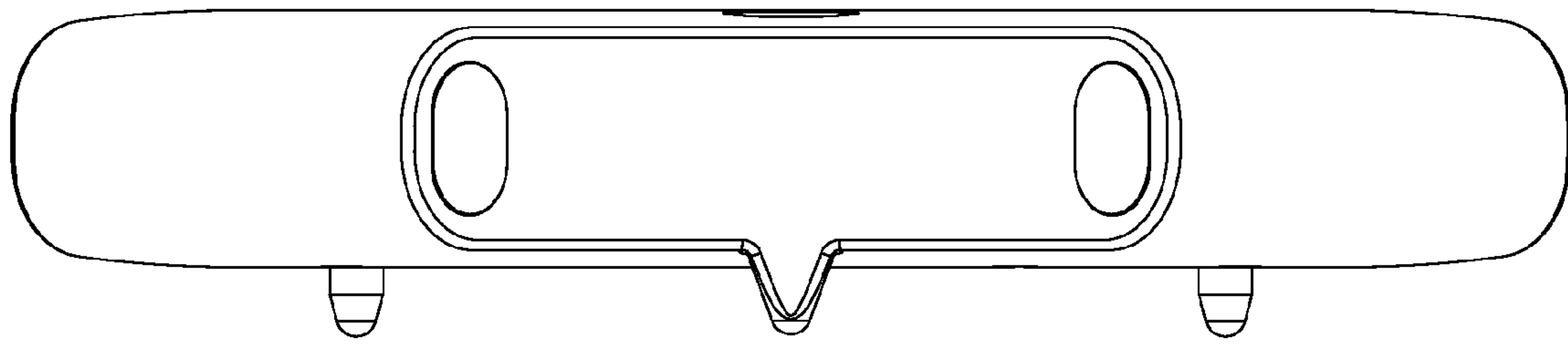


FIG.3

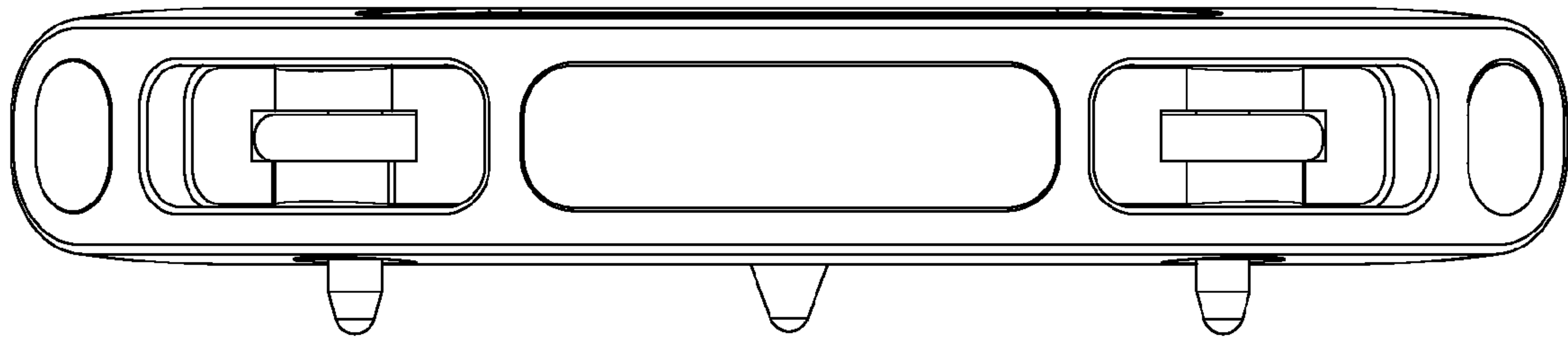


FIG.4

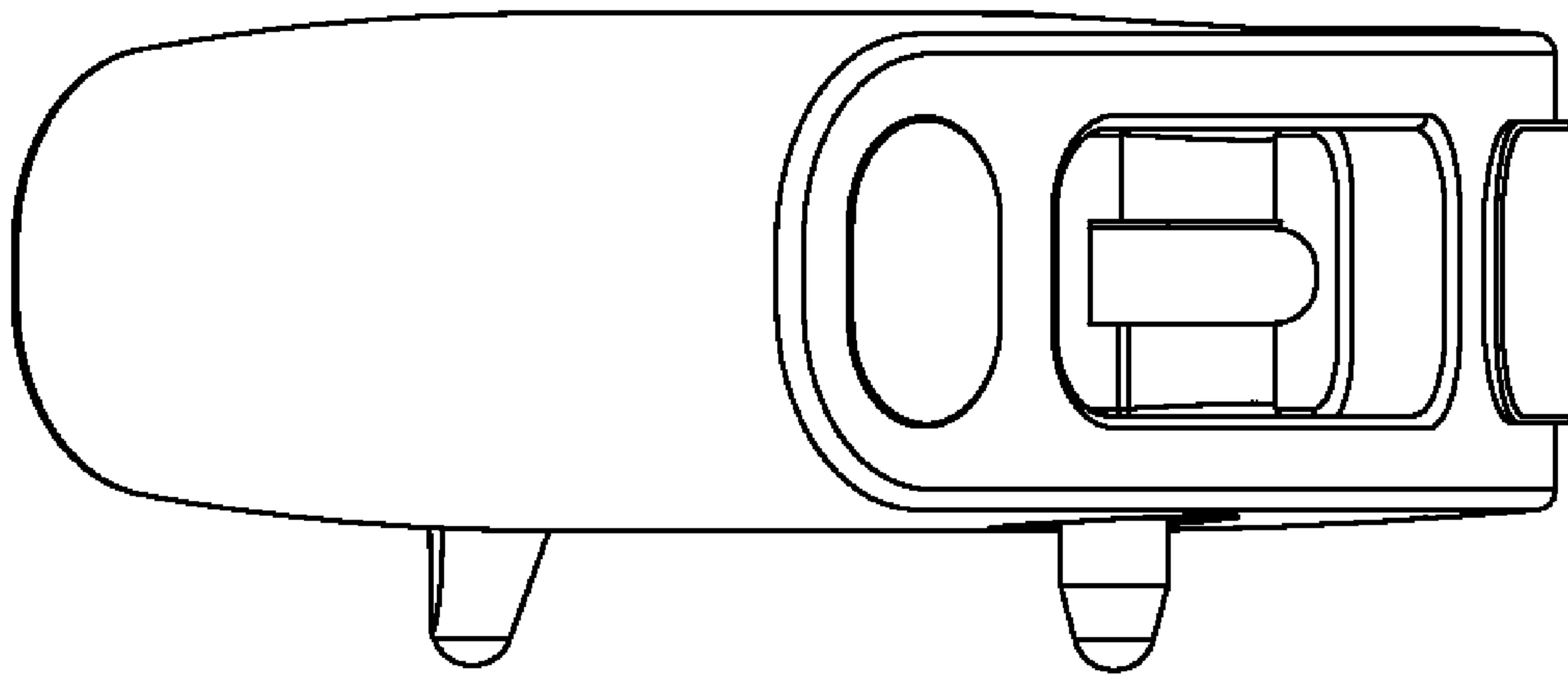


FIG.5

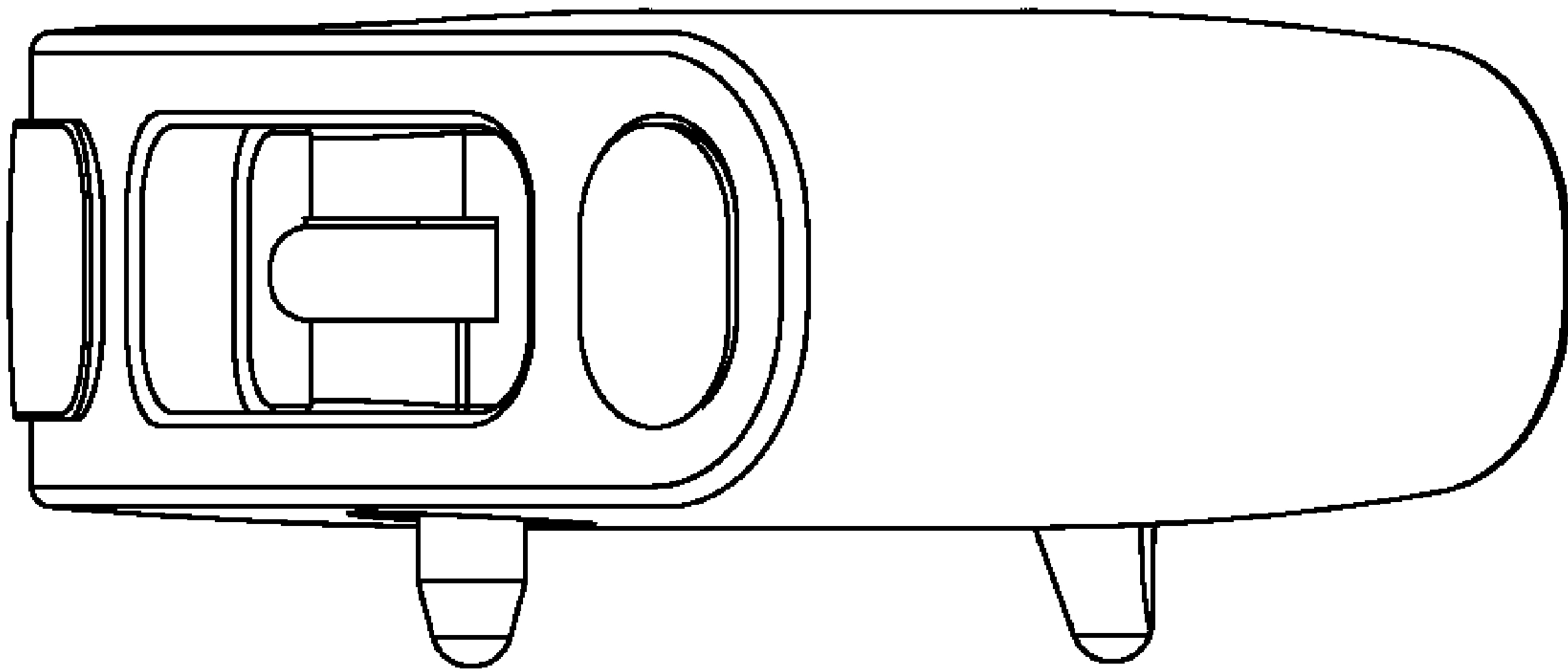


FIG.6

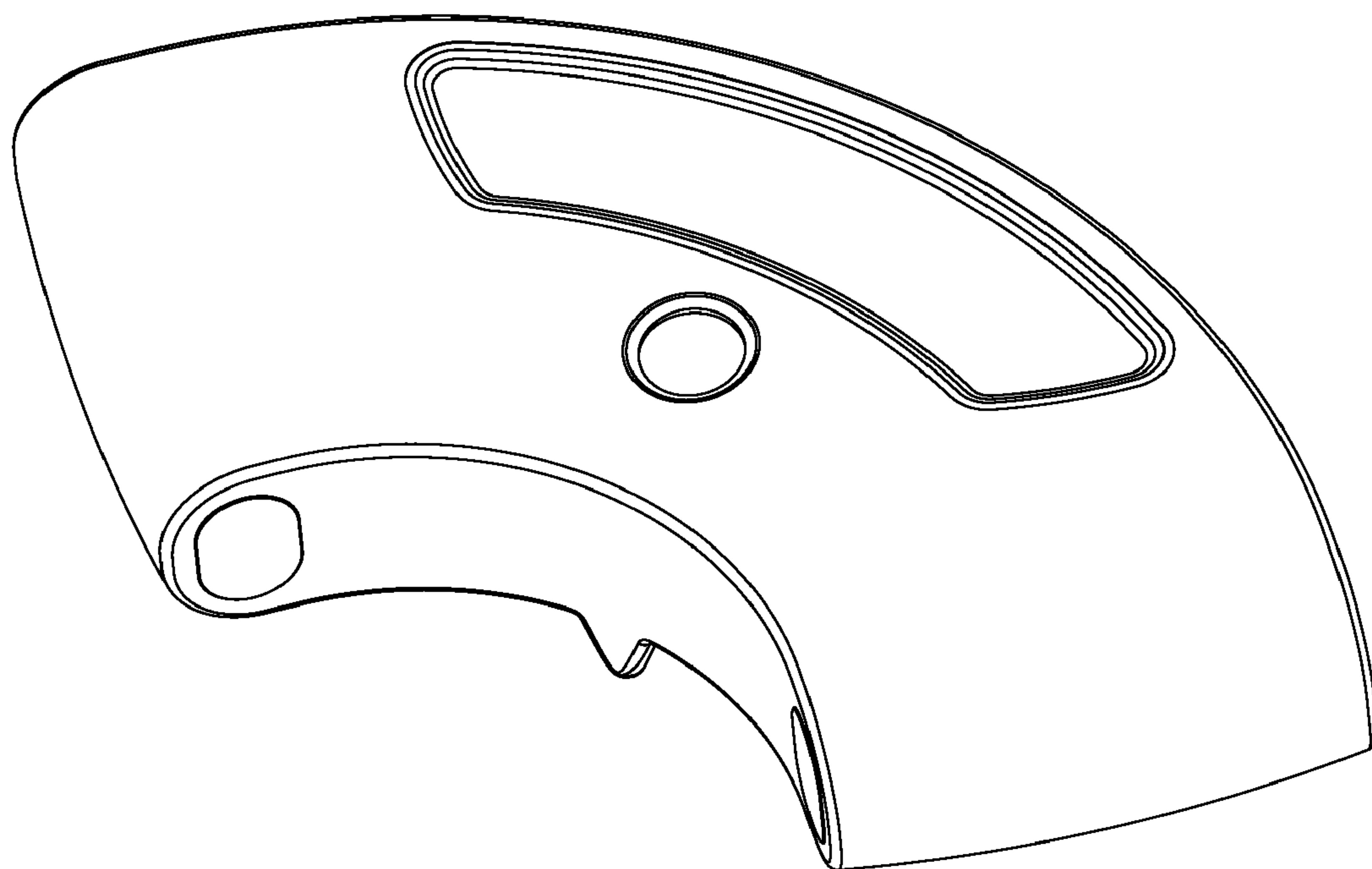


FIG.7

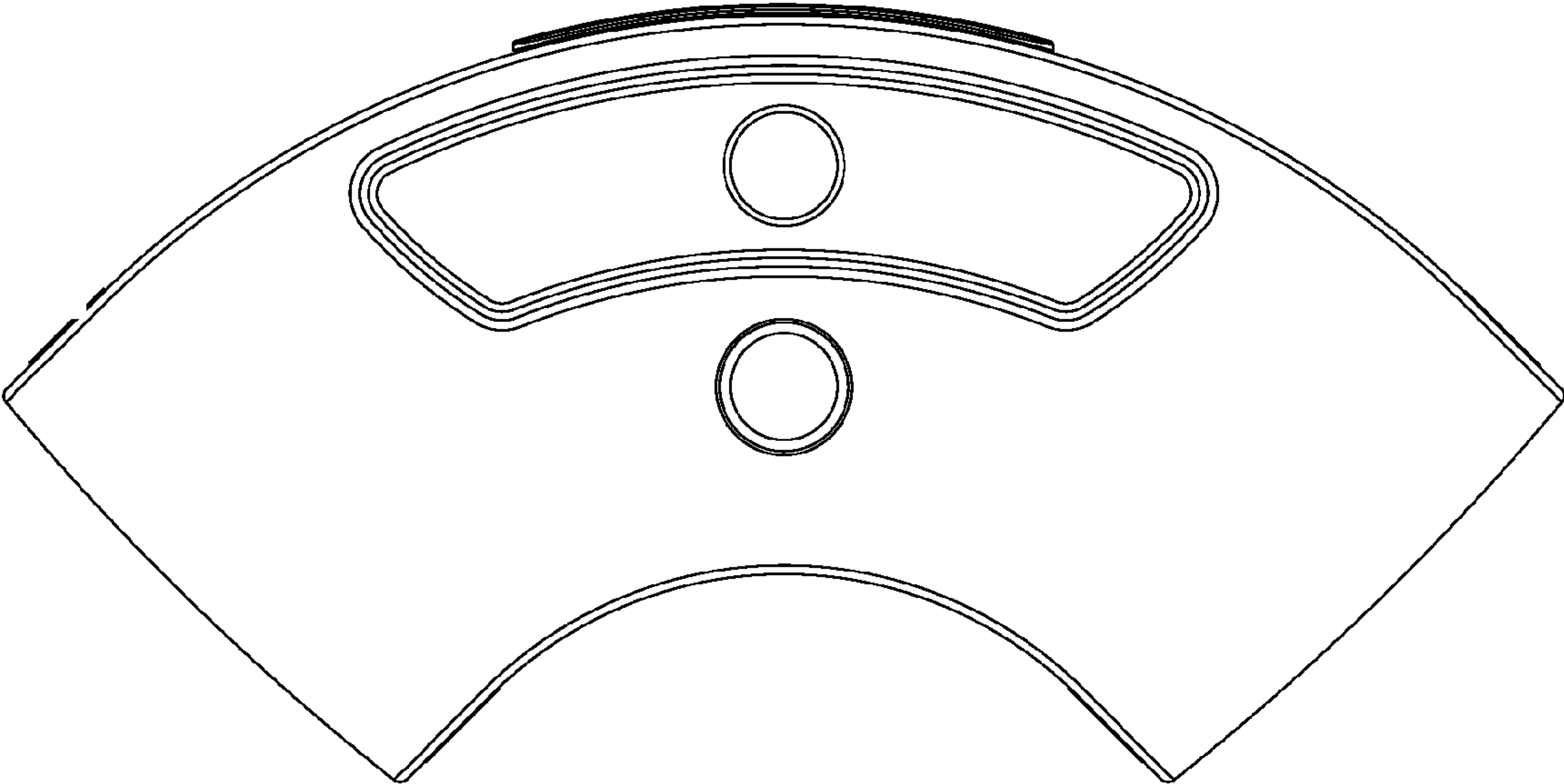


FIG.8

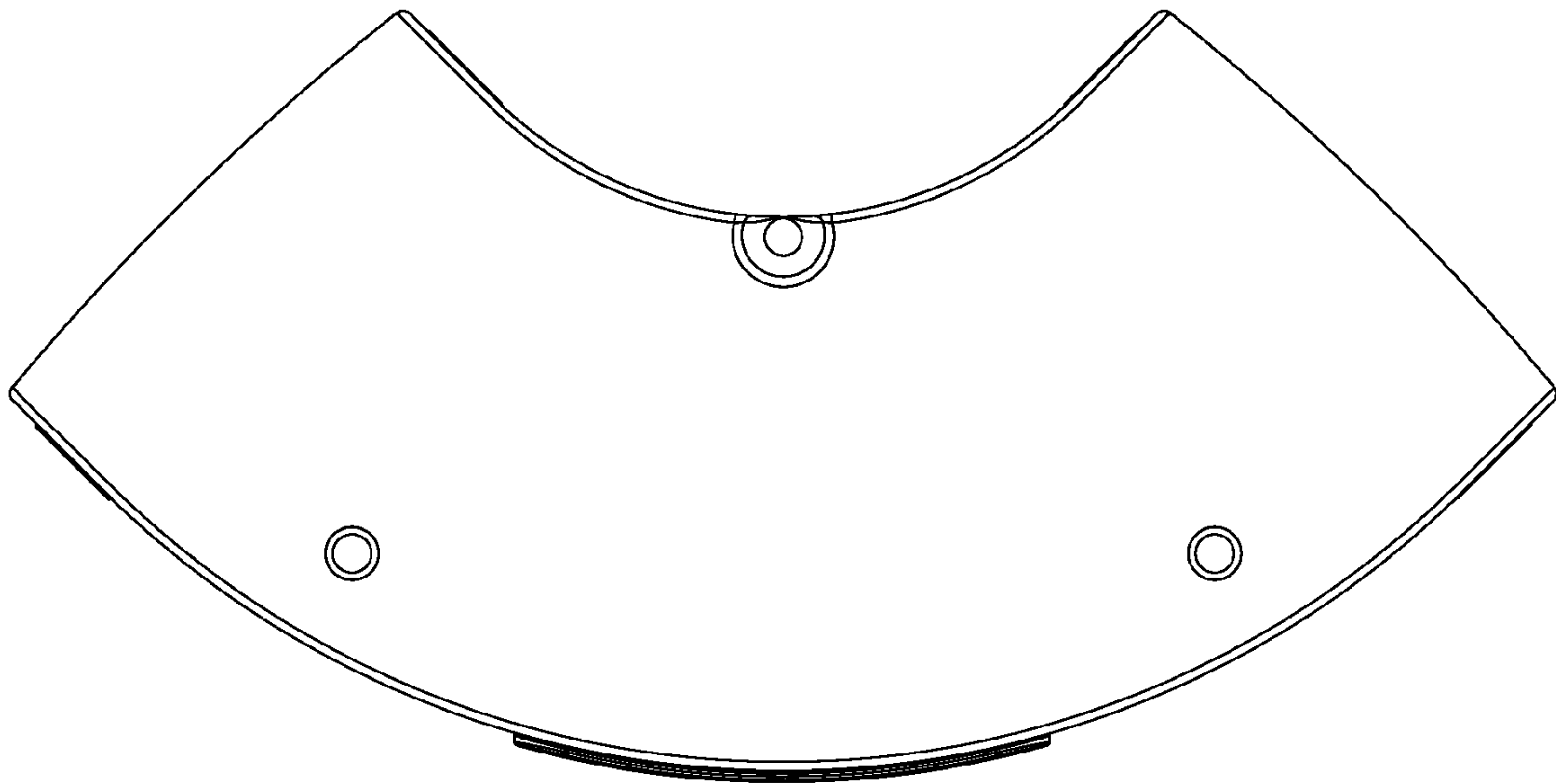


FIG.9

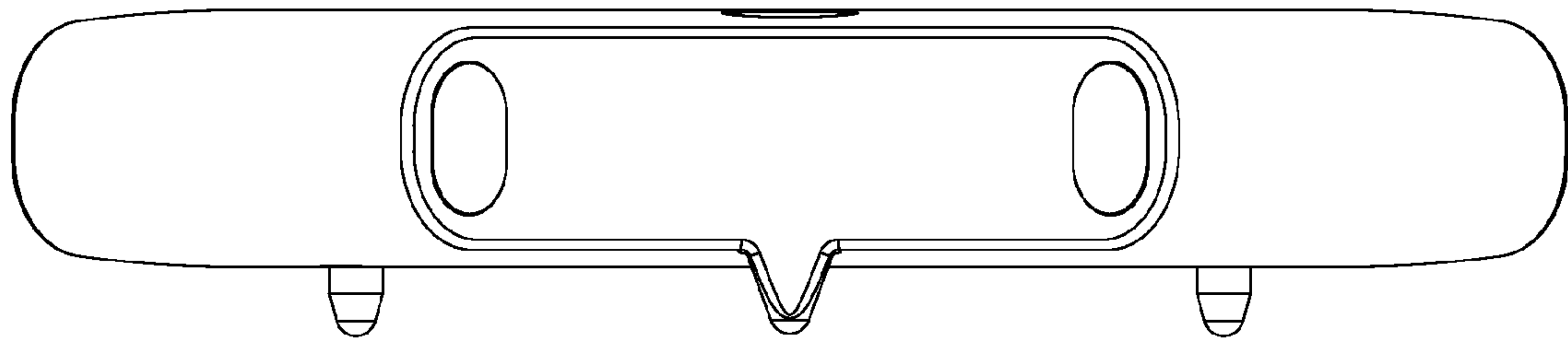


FIG.10

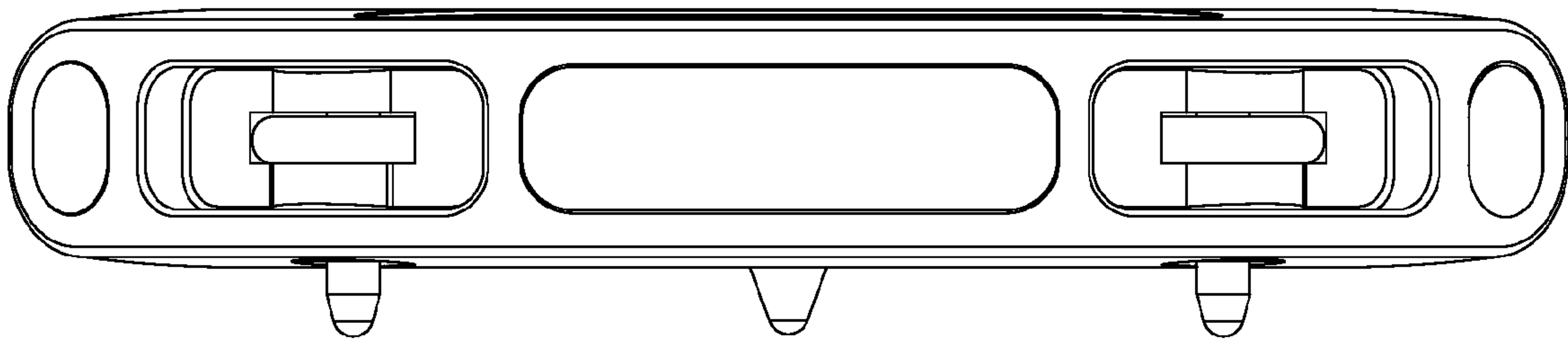


FIG.11

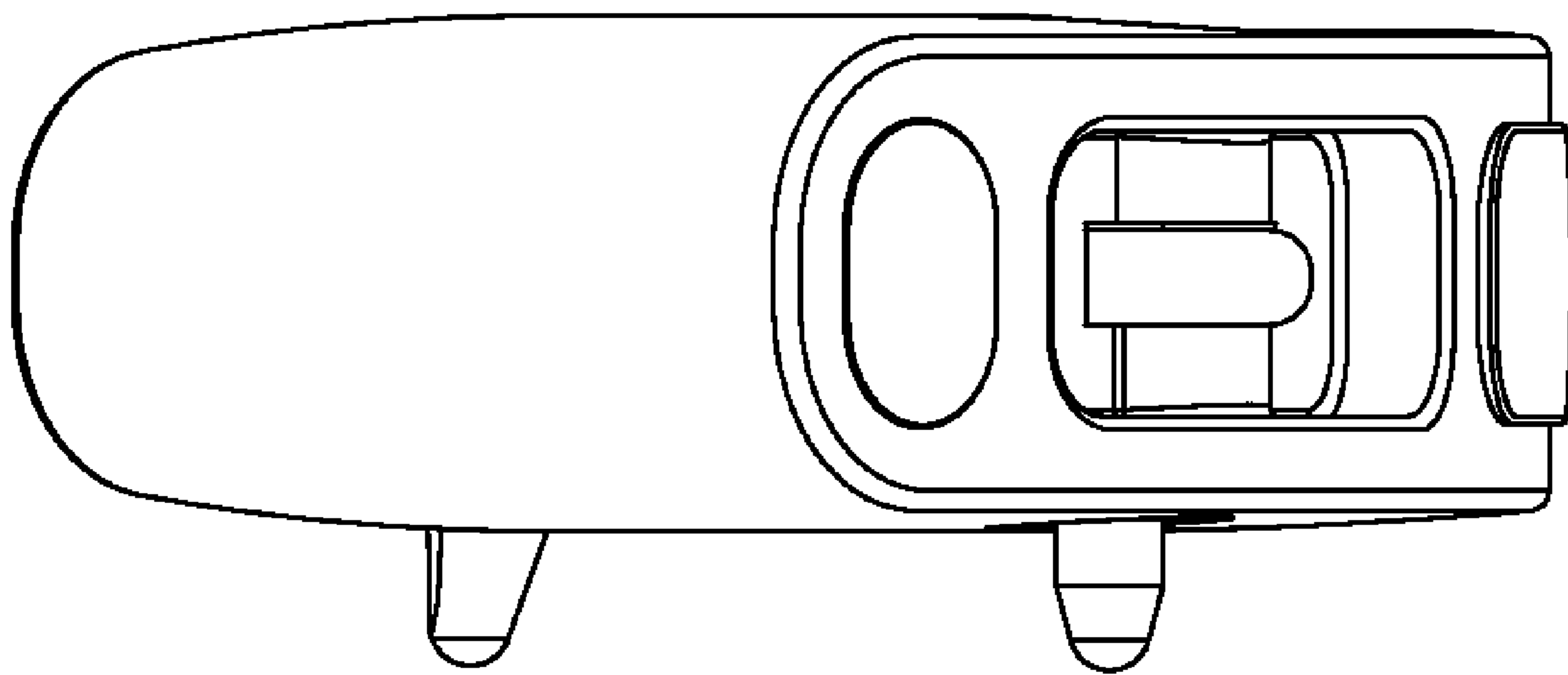


FIG.12

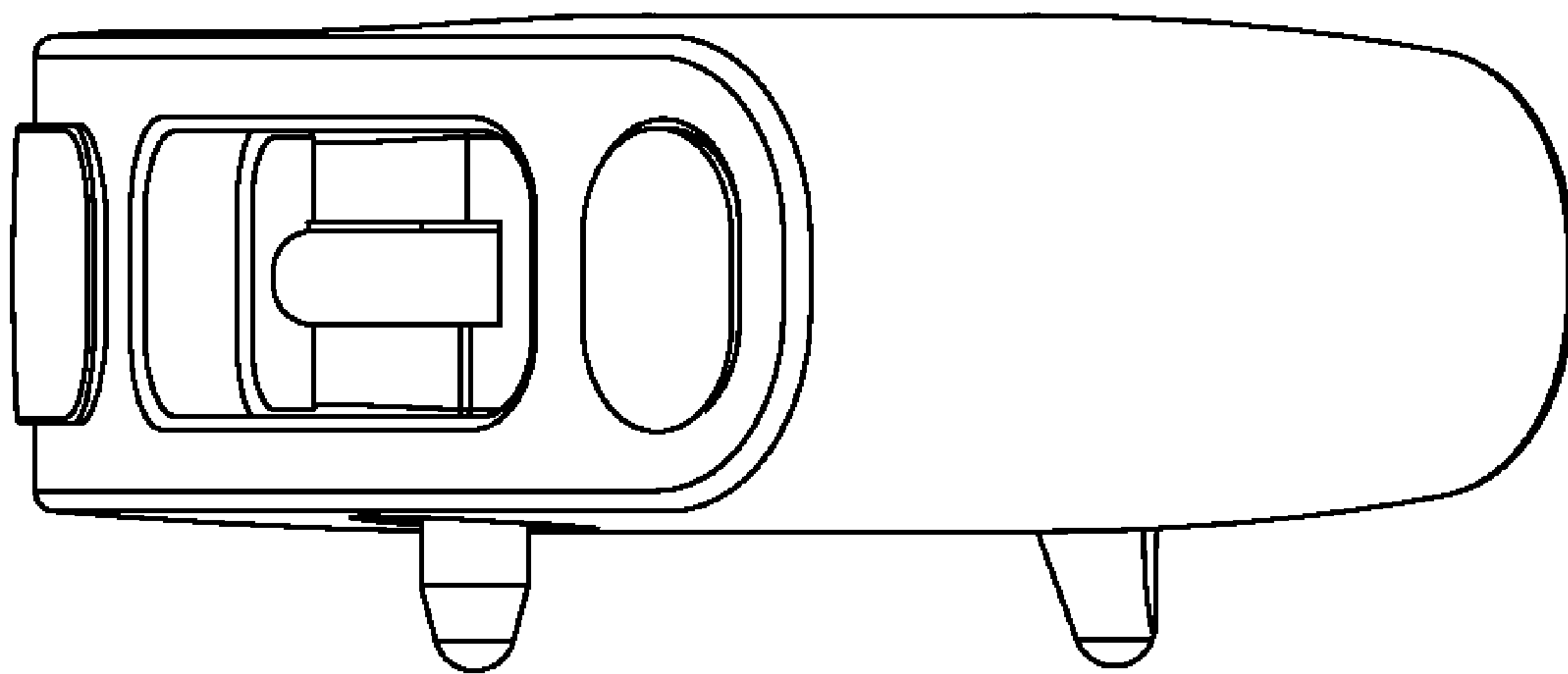


FIG.13

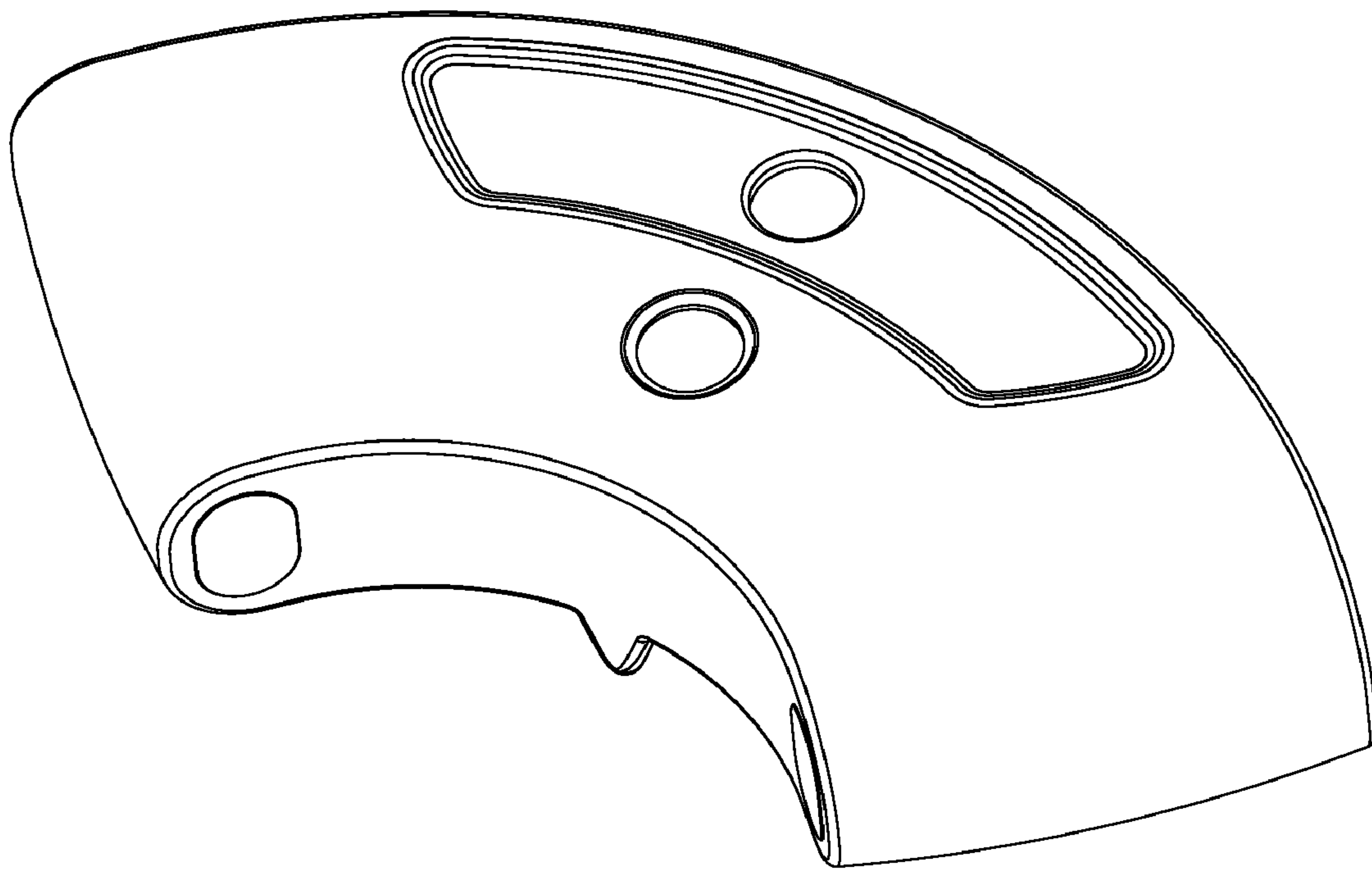


FIG.14

UNITED STATES PATENT AND TRADEMARK OFFICE
CERTIFICATE OF CORRECTION

PATENT NO. : Des. 605,538 S
APPLICATION NO. : 29/287148
DATED : December 8, 2009
INVENTOR(S) : Mag. Wolfgang Scheyer

Page 1 of 1

It is certified that error appears in the above-identified patent and that said Letters Patent is hereby corrected as shown below:

On the Title Page

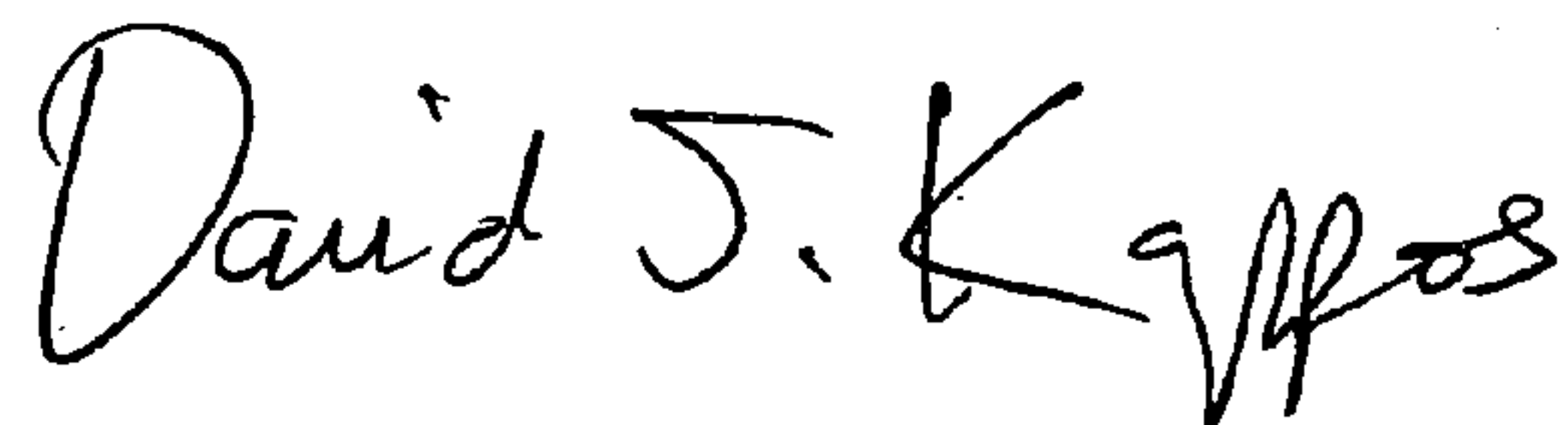
Please insert the following:

--(30) **Foreign Application Priority Data**

January 4, 2007 (EM) 000 646 864--

Signed and Sealed this

Sixth Day of April, 2010



David J. Kappos
Director of the United States Patent and Trademark Office