



US00D605536S

(12) **United States Design Patent**  
**Nishimoto**

(10) **Patent No.:** **US D605,536 S**  
(45) **Date of Patent:** **\*\* Dec. 8, 2009**

(54) **TOY SCORING DEVICE**

WO WO 00/09229 2/2000

(75) Inventor: **Hisao Nishimoto**, Tokyo (JP)

(73) Assignee: **Tomy Company, Ltd.**, Tokyo (JP)

(\*\*) Term: **14 Years**

(21) Appl. No.: **29/309,763**

(22) Filed: **Oct. 6, 2008**

(30) **Foreign Application Priority Data**

Apr. 8, 2008 (JP) ..... 2008-8990

(51) **LOC (9) Cl.** ..... **21-01**

(52) **U.S. Cl.** ..... **D10/46.1**

(58) **Field of Classification Search** ..... D10/46,  
D10/46.1; 116/222-225; 434/128, 308;  
273/148 B; 463/1, 30, 35, 46, 47  
See application file for complete search history.

(56) **References Cited**

**U.S. PATENT DOCUMENTS**

1,552,530 A	9/1925	Woods	
3,760,519 A *	9/1973	Niven	235/114
3,763,576 A *	10/1973	Sulkin	434/322
D315,314 S *	3/1991	Mayes	D10/46.1
5,574,268 A *	11/1996	Herman et al.	235/91 R
D378,279 S *	3/1997	Pischette	D10/46.1
D465,164 S *	11/2002	Wolke	D10/46.1
6,739,939 B2	5/2004	Matsukawa	
D540,201 S *	4/2007	Jackson et al.	D10/46.1
2004/0060188 A1 *	4/2004	Cubbedge	33/770
2008/0076526 A1 *	3/2008	Zhang	463/22
2009/0025625 A1 *	1/2009	Lee	116/223

**FOREIGN PATENT DOCUMENTS**

WO WO 99/16520 4/1999

**OTHER PUBLICATIONS**

U.S. Appl. No. 12/285,872, filed Oct. 15, 2008, Nishimoto et al., Tomy Company, Ltd.  
Article appearing in Japanese Newspaper "Nihon Keizai Shimbun" (Japanese Economic Journal), Apr. 8, 2008, 3pp.  
European Search Report in Application No. 08253256.5 mailed Aug. 27, 2009.

\* cited by examiner

*Primary Examiner*—Prabhakar Deshmukh

(74) *Attorney, Agent, or Firm*—Staas & Halsey LLP

(57) **CLAIM**

The ornamental design for a toy scoring device, as shown and described.

**DESCRIPTION**

FIG. 1 is a front view of the toy scoring device showing my design;

FIG. 2 is rear view thereof;

FIG. 3 is a right side view thereof;

FIG. 4 is a left side view thereof;

FIG. 5 is a top view thereof;

FIG. 6 is a bottom view thereof;

FIG. 7 is a front perspective view thereof;

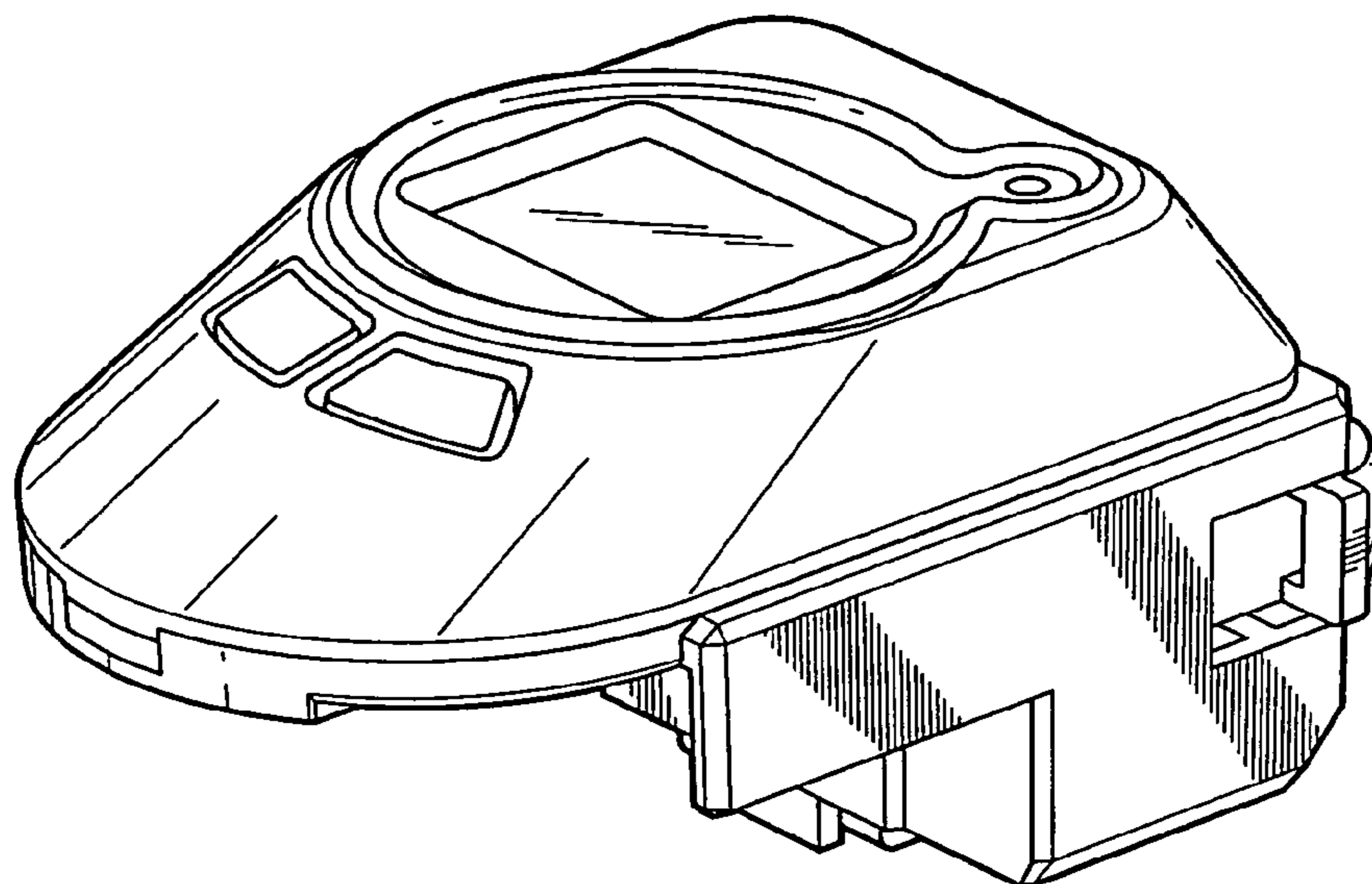
FIG. 8 is a rear perspective view thereof;

FIG. 9 is a rear perspective view showing an open panel; and,

FIG. 10 is another front perspective view.

The portions of the design shown in broken lines in FIG. 6 form no part of the claimed design. The broken lines in FIG. 10 are for the purpose of illustrating environmental structure and form no part of the claimed design.

**1 Claim, 5 Drawing Sheets**



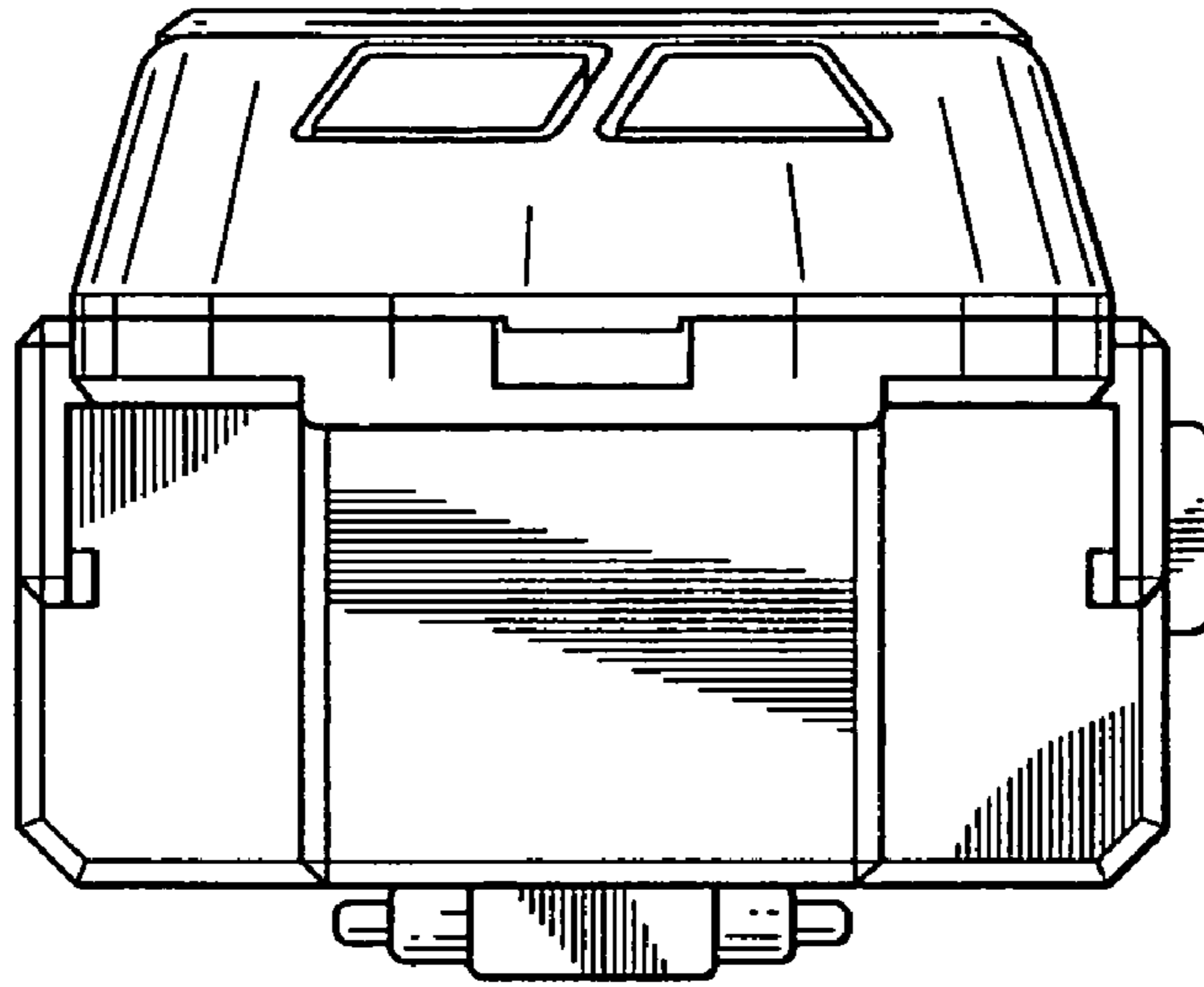


FIG. 1

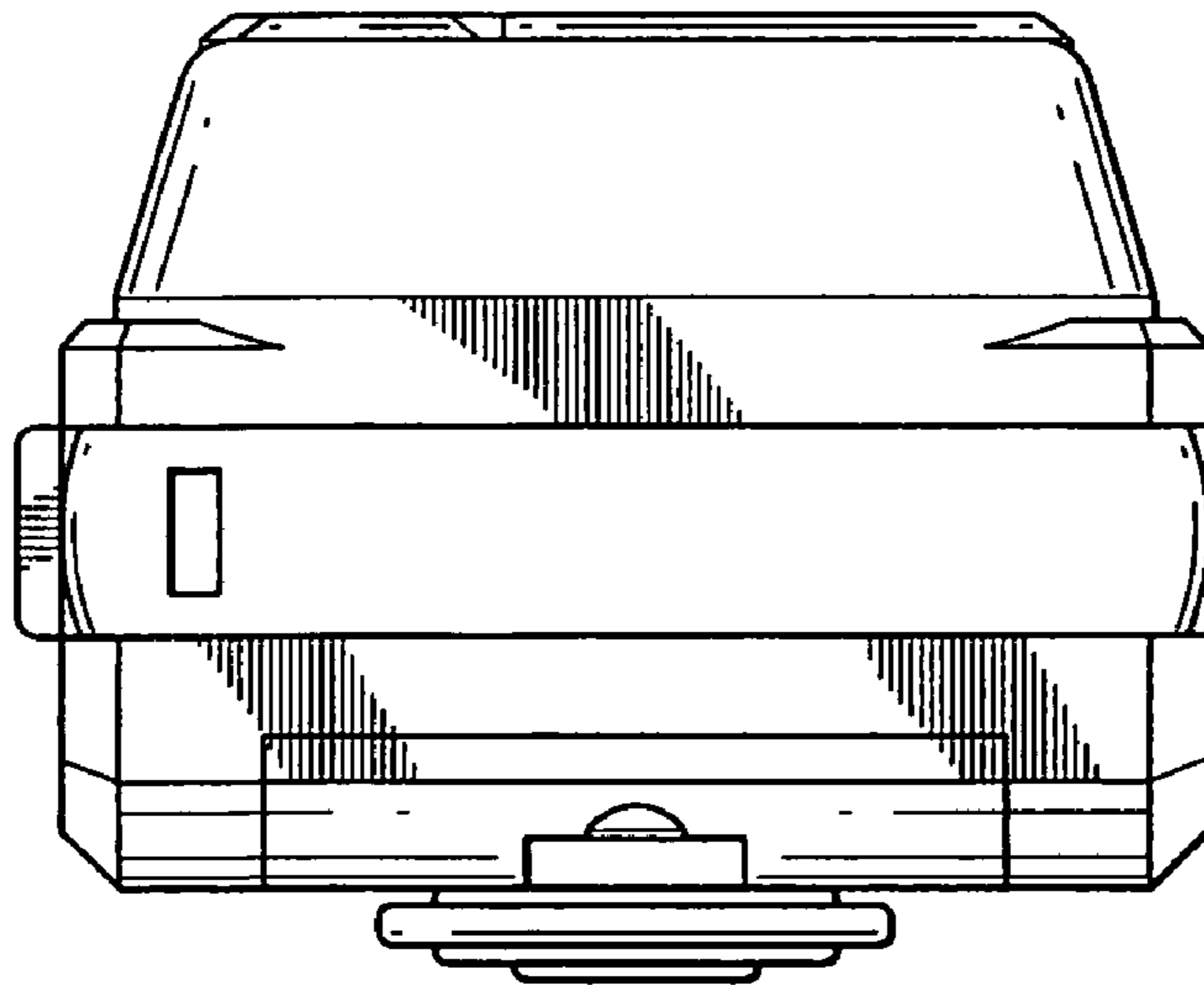


FIG. 2

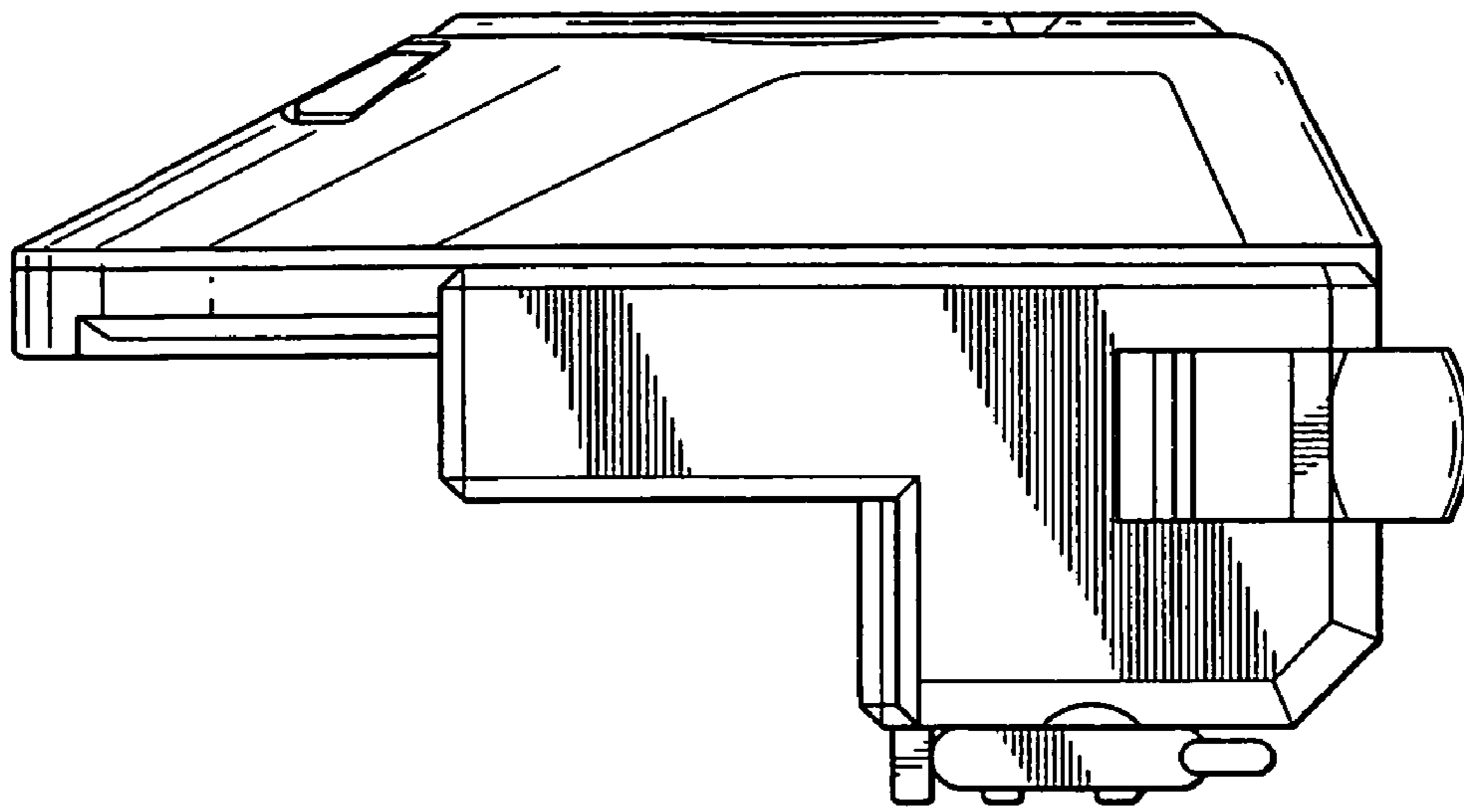


FIG. 3

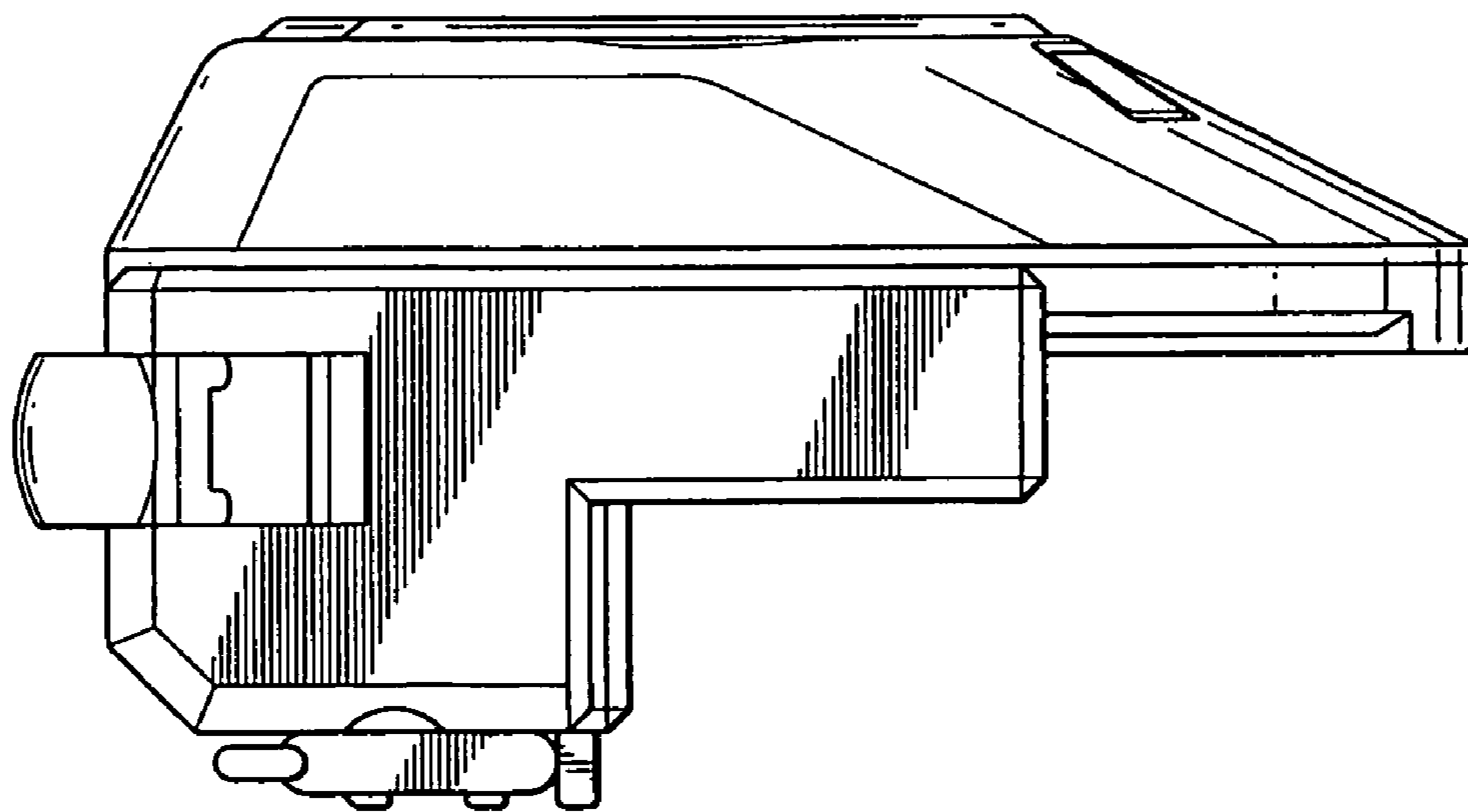


FIG. 4

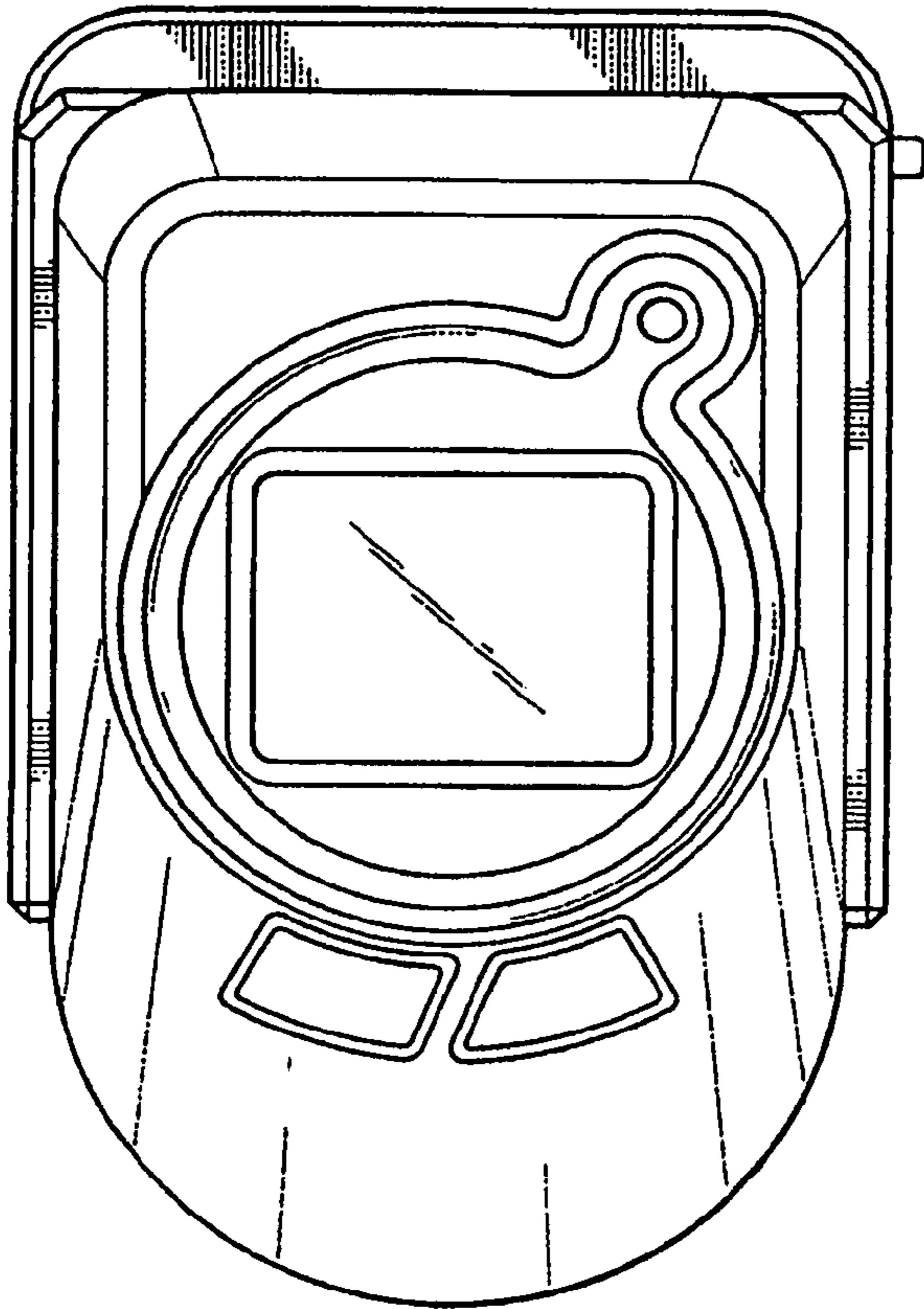


FIG. 5

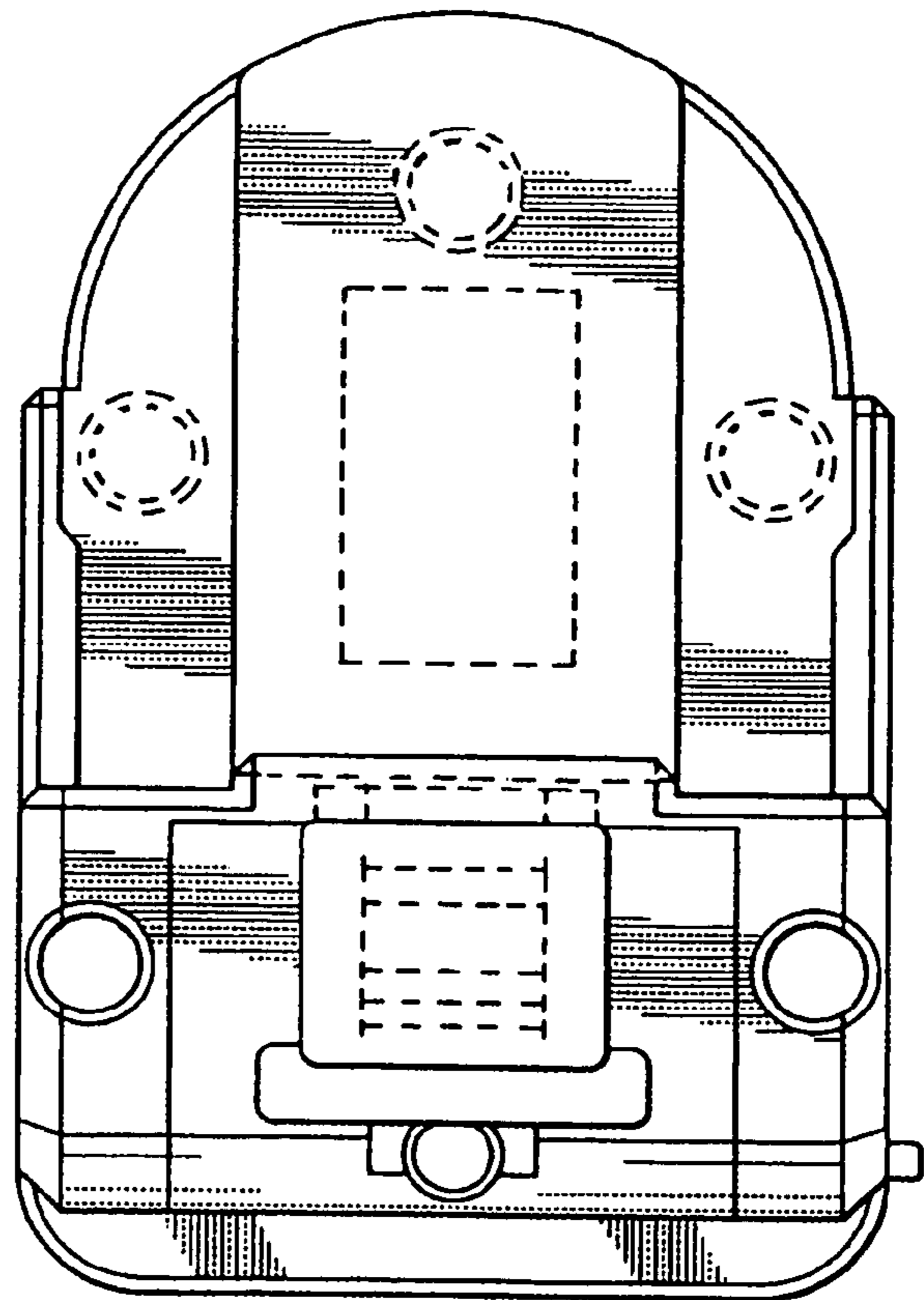


FIG. 6

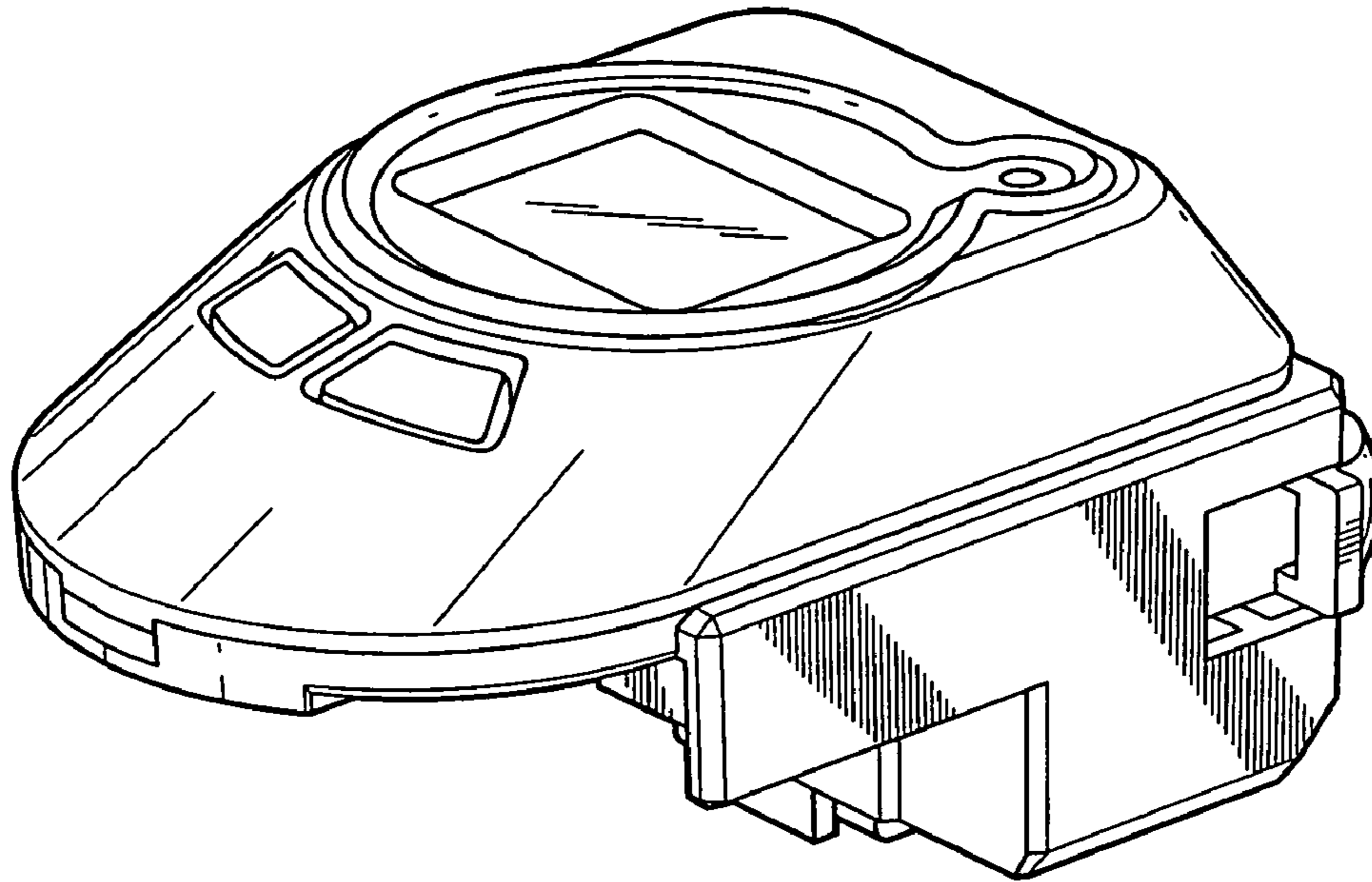


FIG. 7

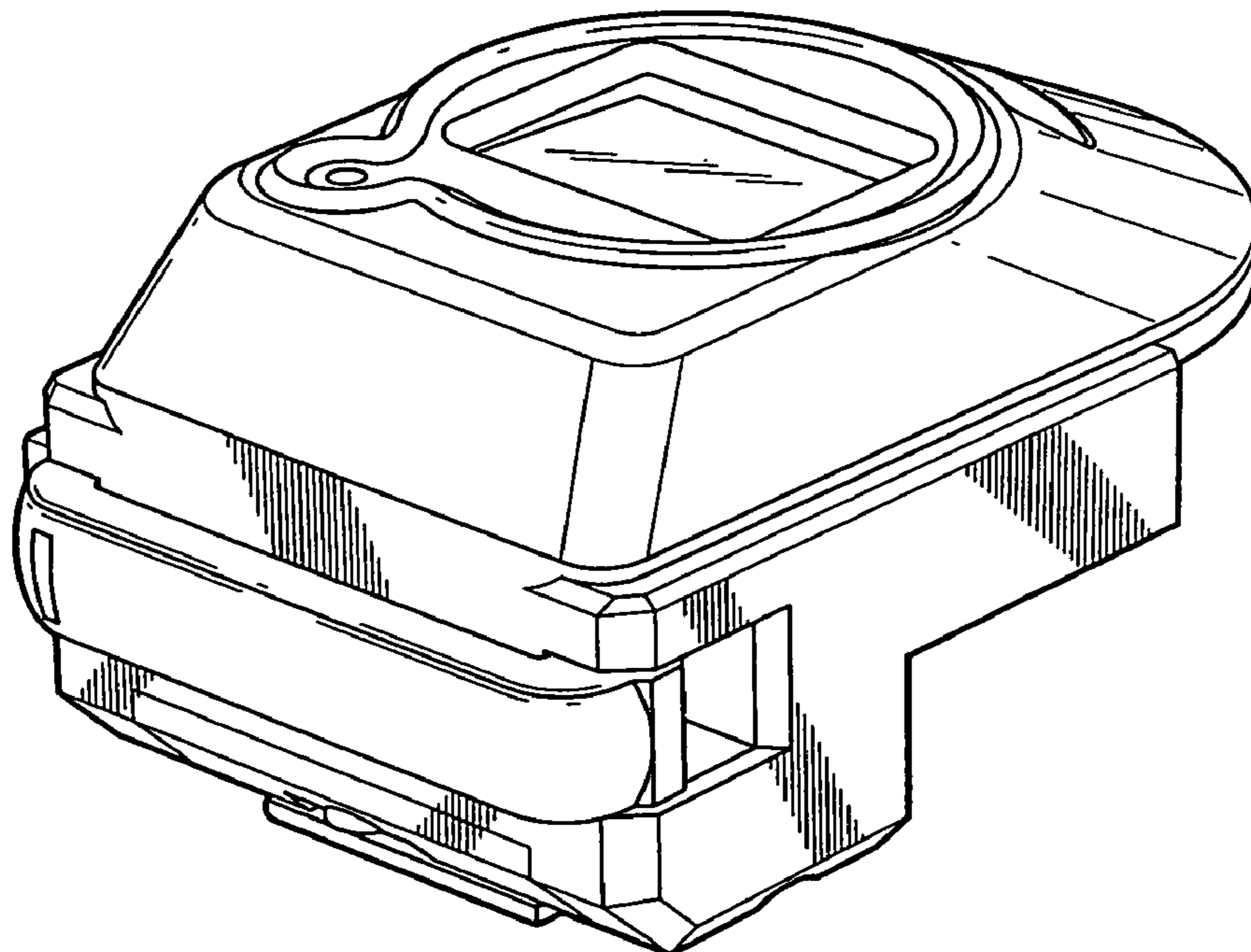


FIG. 8

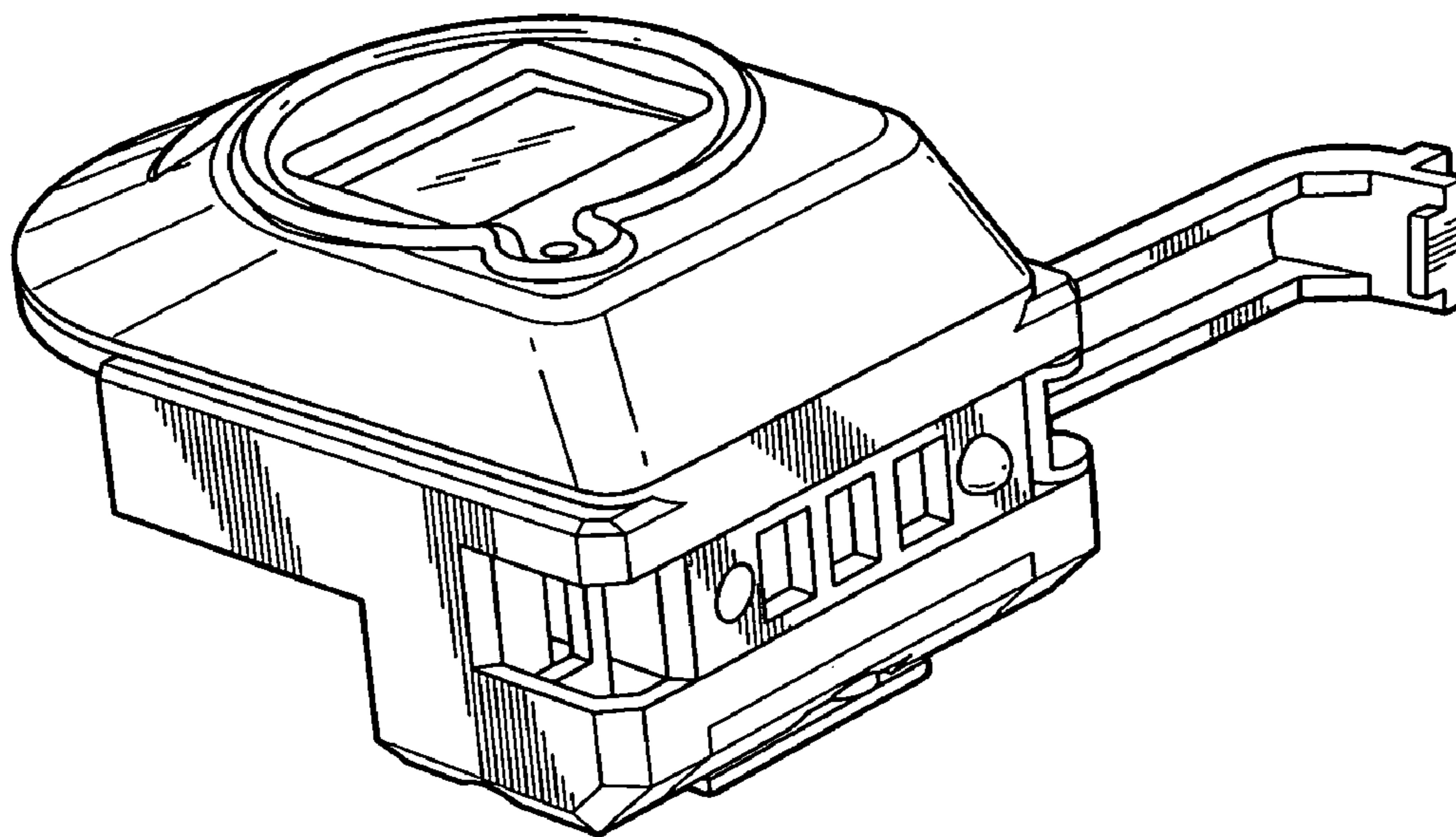


FIG. 9

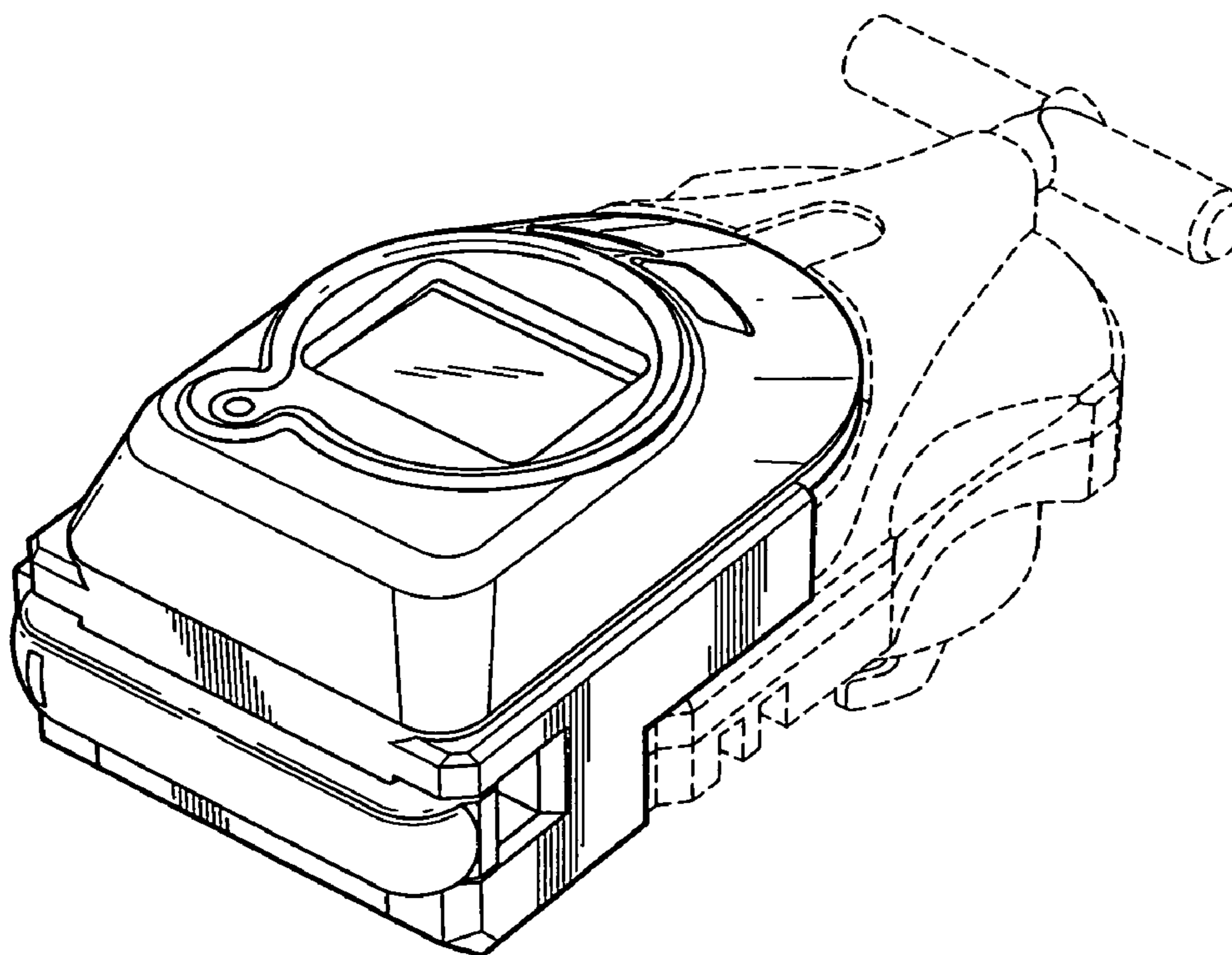


FIG. 10