



US00D605532S

(12) **United States Design Patent**
Gruosi

(10) **Patent No.:** **US D605,532 S**

(45) **Date of Patent:** **** Dec. 8, 2009**

(54) **WATCH CASE**

(75) Inventor: **Fawaz Gruosi**, Prangins (CH)

(73) Assignee: **De Grisogono S.A.**, Plan-Les-Ouates (CH)

(**) Term: **14 Years**

(21) Appl. No.: **29/329,941**

(22) Filed: **Dec. 23, 2008**

(30) **Foreign Application Priority Data**

Jun. 26, 2008 (CH) 135253

(51) **LOC (9) Cl.** **10-02**

(52) **U.S. Cl.** **D10/38**

(58) **Field of Classification Search** D10/30-39;
368/276, 281, 282, 285, 288, 308, 319
See application file for complete search history.

(56) **References Cited**

U.S. PATENT DOCUMENTS

3,162,007	A	*	12/1964	Parmentier	368/281
3,270,928	A	*	9/1966	Brunet	224/164
D225,124	S	*	11/1972	Osawa	D10/39
D229,085	S	*	11/1973	Lutenegger	D10/38
D239,512	S	*	4/1976	Tsukui	D10/38
D278,315	S	*	4/1985	Houlihan	D10/30

D384,294	S	*	9/1997	Woo et al.	D10/30
D435,457	S	*	12/2000	Wunderman	D10/30
D513,195	S	*	12/2005	Gruosi	D10/38
D528,440	S	*	9/2006	Lovegrove	D10/38
D558,067	S	*	12/2007	Carbonatto	D10/38
D573,901	S	*	7/2008	Berard	D10/38
D576,892	S	*	9/2008	Gruosi	D10/38

* cited by examiner

Primary Examiner—Lucy Lieberman

(74) *Attorney, Agent, or Firm*—Venable, Campillo, Logan & Meaney, P.C.

(57) **CLAIM**

The ornamental design for watch case, as shown.

DESCRIPTION

FIG. 1 is a front perspective view of a watch case showing my new design;

FIG. 2 is a rear elevation thereof;

FIG. 3 is a left side elevation thereof;

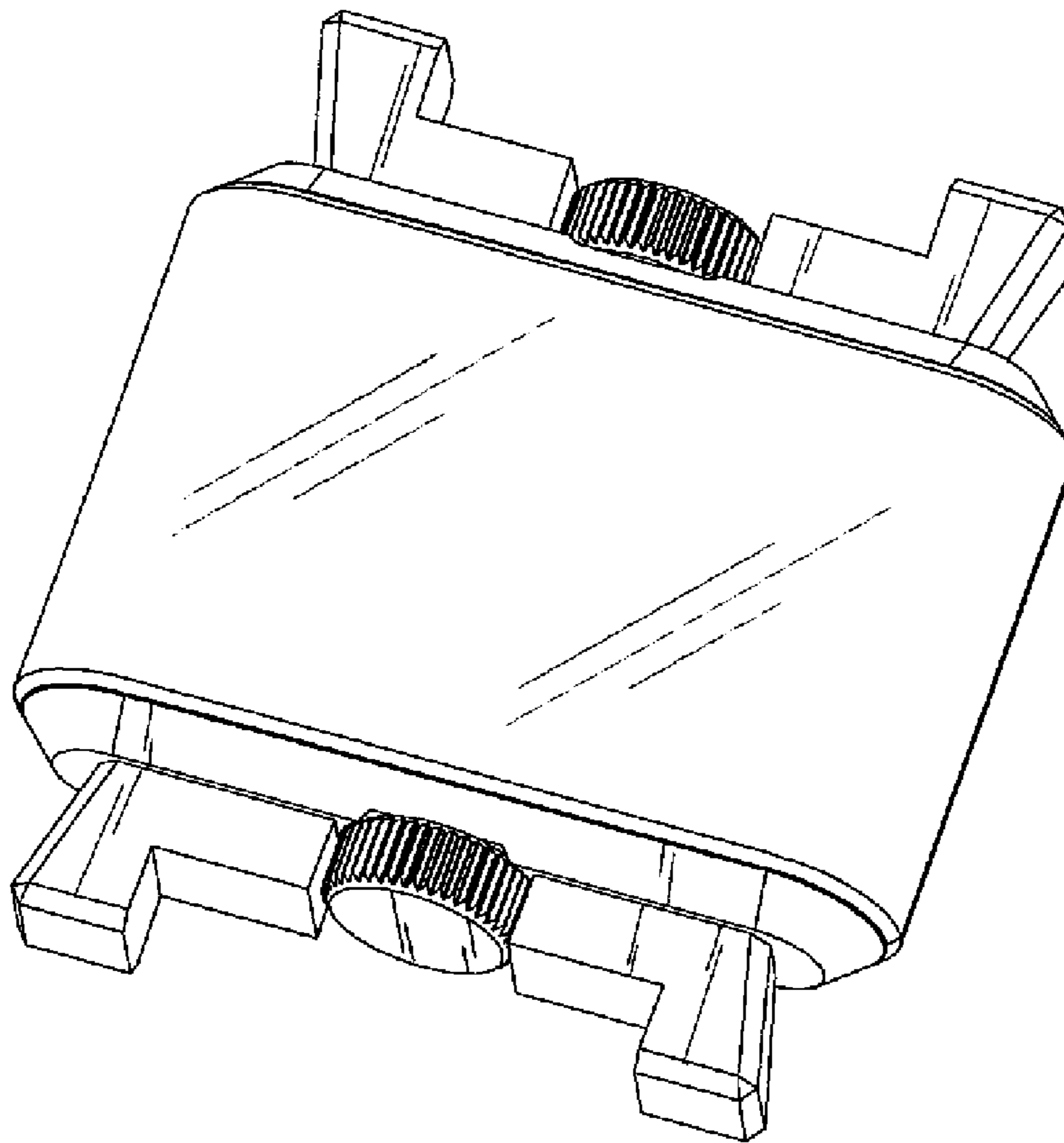
FIG. 4 is a right side elevation thereof;

FIG. 5 is top plan view thereof;

FIG. 6 is a bottom plan view thereof; and,

FIG. 7 is a front elevation thereof.

1 Claim, 1 Drawing Sheet



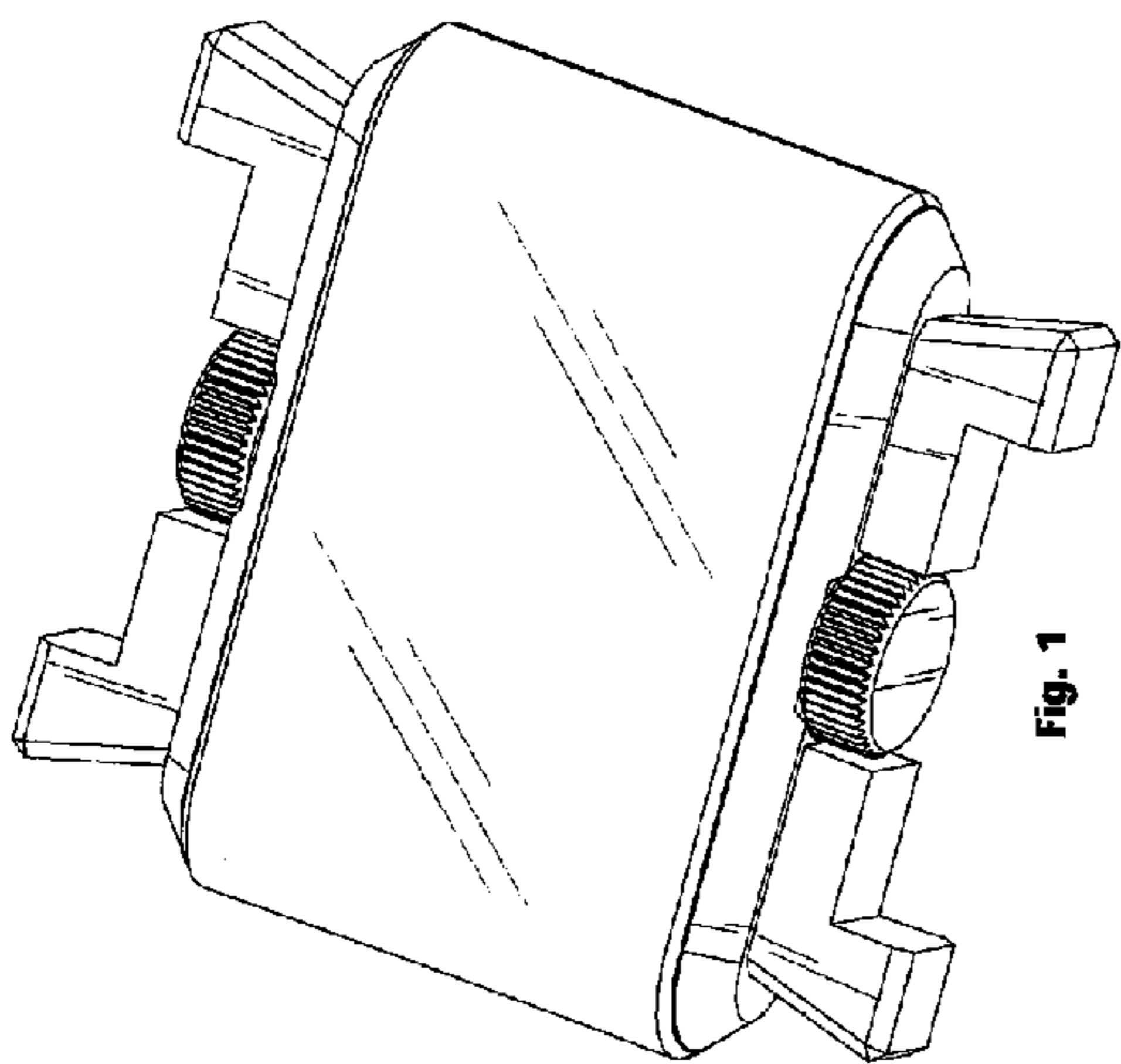


Fig. 1

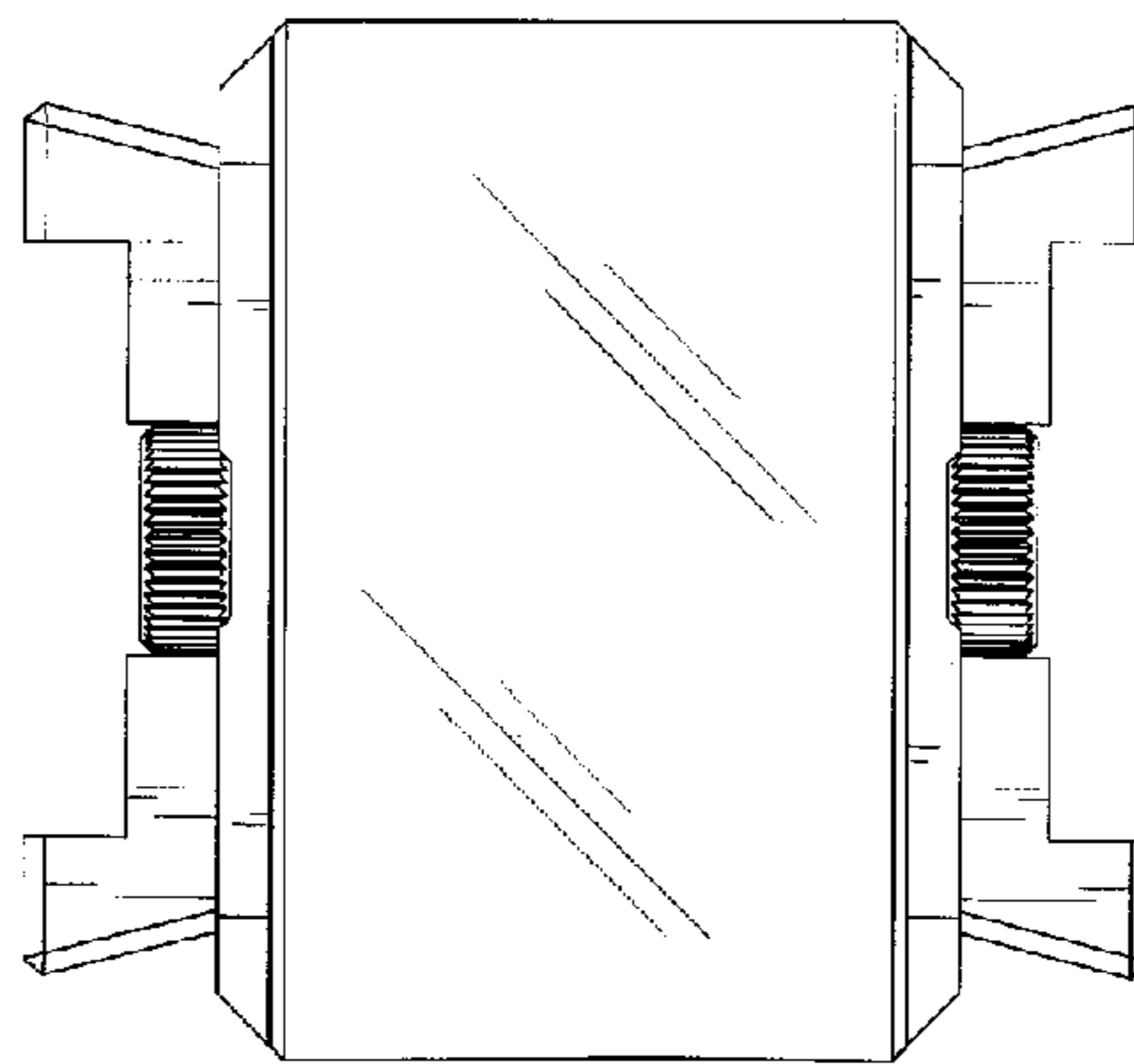


Fig. 2

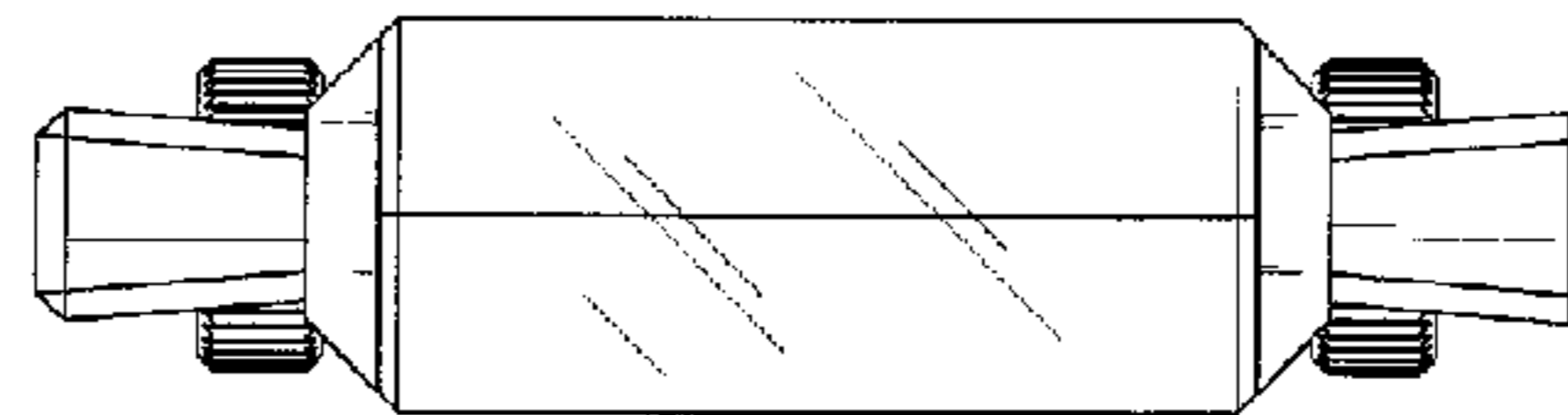


Fig. 3

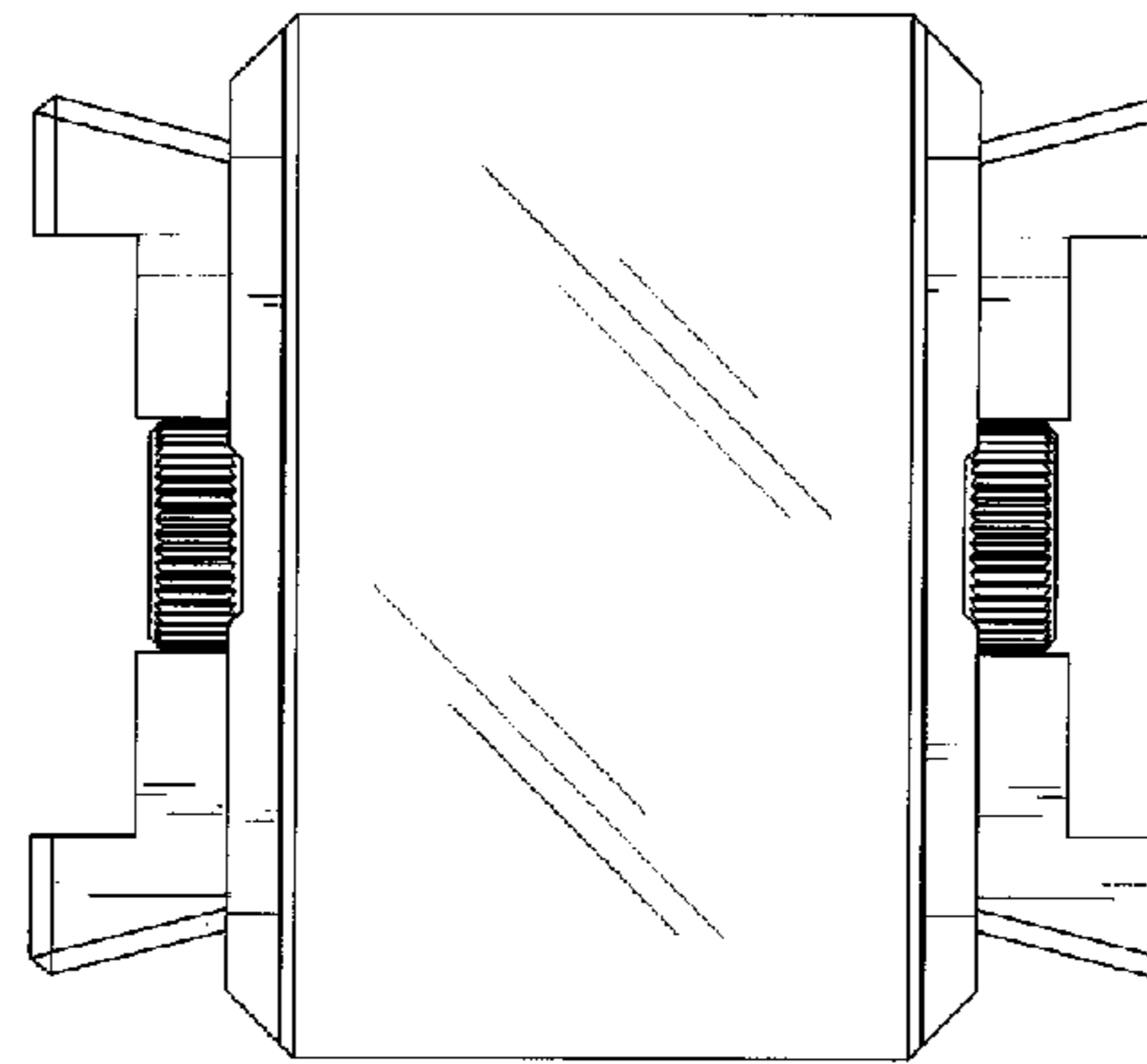


Fig. 4

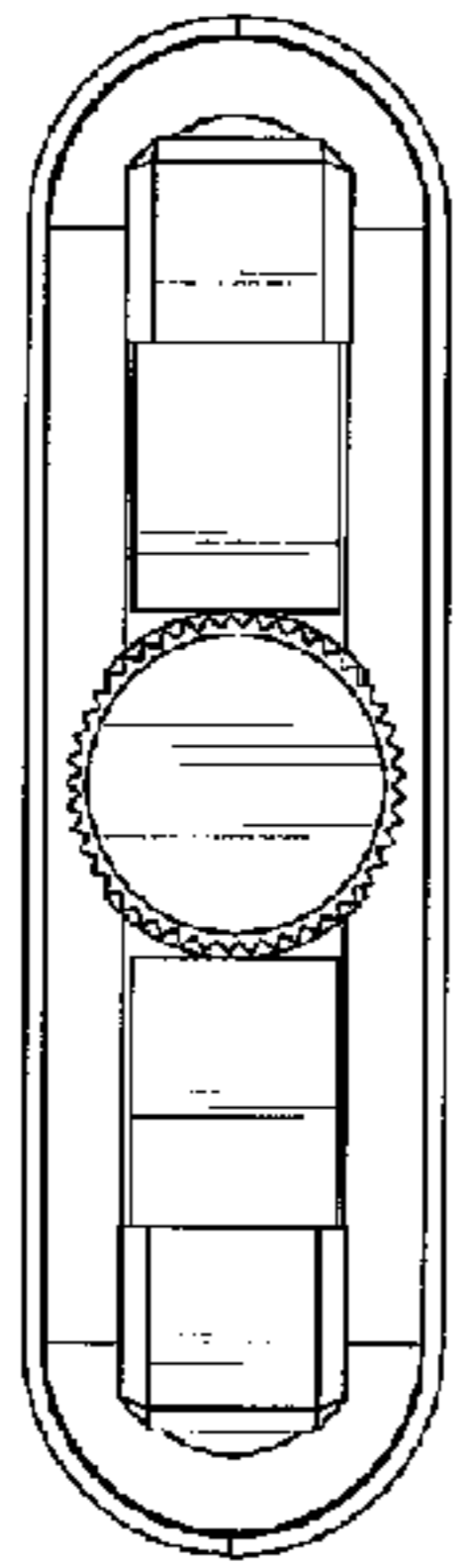


Fig. 5

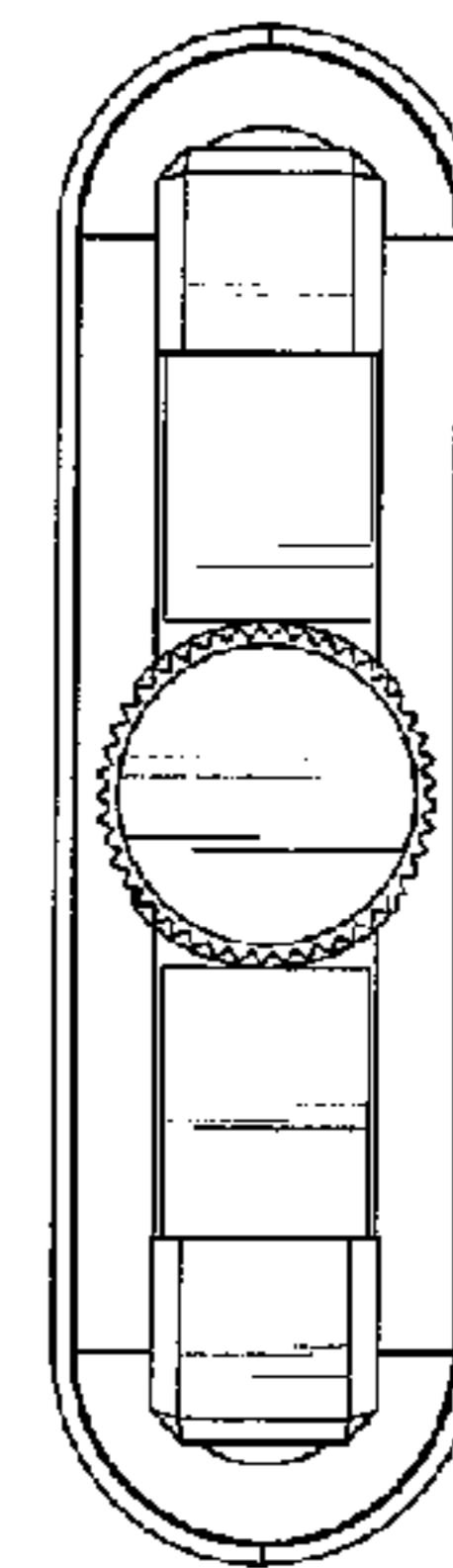


Fig. 6