



US00D605531S

(12) **United States Design Patent**
Salmon

(10) **Patent No.:** **US D605,531 S**
(45) **Date of Patent:** **** Dec. 8, 2009**

(54) **MULTI-FUNCTION WRIST WATCH**

(76) Inventor: **Steven Kenneth Salmon**, Valley Farm,
Hanbury Road, Hanbury, Worcestershire
(GB) B60 4HJ

(**) Term: **14 Years**

(21) Appl. No.: **29/330,388**

(22) Filed: **Jan. 6, 2009**

(51) **LOC (9) Cl.** **10-02**

(52) **U.S. Cl.** **D10/31; D10/32**

(58) **Field of Classification Search** D10/30-39,
D10/104; 368/276, 278, 281, 282, 285; D11/3;
D14/344

See application file for complete search history.

(56) **References Cited**

U.S. PATENT DOCUMENTS

D311,342 S	*	10/1990	Houlihan	D10/30
D315,512 S	*	3/1991	Houlihan	D10/30
D333,100 S	*	2/1993	Morishima	D10/38
D344,038 S	*	2/1994	Phillips et al.	D11/5
D349,061 S	*	7/1994	Morishima	D10/38
D354,240 S	*	1/1995	Hanagata	D10/39
D368,432 S	*	4/1996	Takashi	D10/31
D368,433 S	*	4/1996	Schulze	D10/39
D377,613 S	*	1/1997	Consolo	D10/32
D404,657 S	*	1/1999	Yamamoto	D10/30
D406,073 S	*	2/1999	Clemons	D10/104
D419,899 S	*	2/2000	Levar et al.	D10/104
D423,949 S	*	5/2000	Stoll	D10/32
D440,170 S	*	4/2001	Conerly	D10/104
D494,557 S	*	8/2004	Lowinger	D14/138 R
D504,327 S	*	4/2005	Houlihan	D10/30
D521,394 S	*	5/2006	Tang	D10/30
D534,822 S	*	1/2007	Wadda	D10/104
D535,205 S	*	1/2007	Frederick et al.	D10/104
D564,366 S	*	3/2008	Yeh et al.	D10/30
D568,175 S	*	5/2008	Martinez et al.	D10/32
D574,262 S	*	8/2008	Martinez et al.	D10/32
D591,620 S	*	5/2009	Giannini	D10/32

OTHER PUBLICATIONS

Wherify Wireless and SiRF Team to Deliver Child Locator System,
Published on BestStuff (<http://www.beststuff.com>). May 18, 2009.

* cited by examiner

Primary Examiner—Lucy Lieberman

(74) *Attorney, Agent, or Firm*—McAndrews, Held & Malloy,
Ltd.

(57) **CLAIM**

The ornamental design for a multi-function wrist watch, as
shown and described.

DESCRIPTION

FIG. 1 is a top plan view of a multi-function wrist watch
showing my new design, with the flexible band shown in a
closed position;

FIG. 2 is a bottom view thereof;

FIG. 3 is a right-side elevation view thereof;

FIG. 4 is a left-side elevation view thereof;

FIG. 5 is a front perspective view thereof;

FIG. 6 is a back perspective view thereof;

FIG. 7 is a top plan view thereof, with the flexible band shown
in an open position;

FIG. 8 is a bottom plan view thereof;

FIG. 9 is a right-side elevation view thereof;

FIG. 10 is a left-side elevation view thereof;

FIG. 11 is a front perspective view thereof;

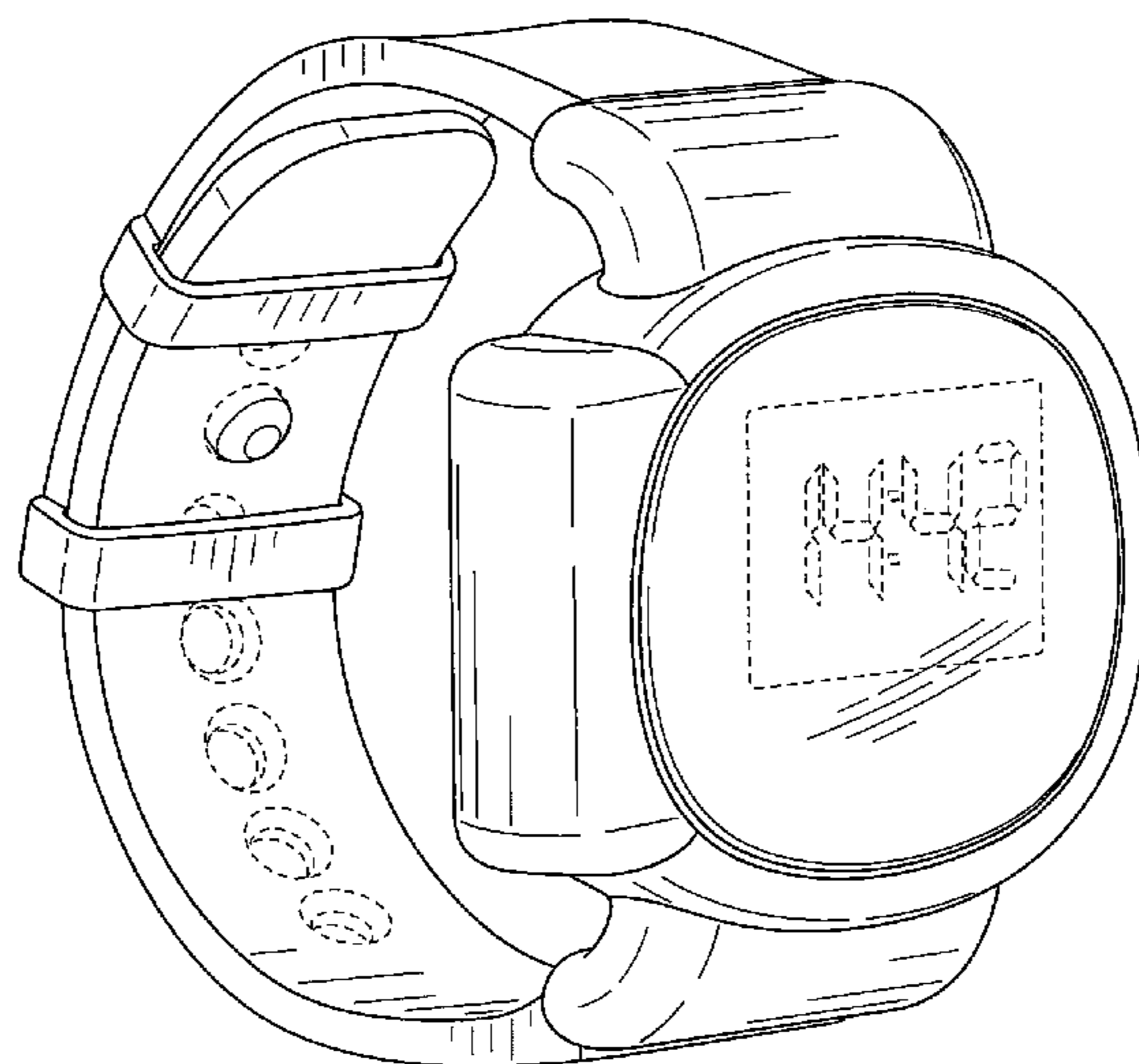
FIG. 12 is a back perspective view thereof;

FIG. 13 is another back perspective view thereof, with the
flexible band shown in an alternate open position; and,

FIG. 14 is another back perspective view thereof.

The broken lines in the drawings are used to show portions of
the multi-function wrist watch that do not form part of the
claimed design.

1 Claim, 12 Drawing Sheets



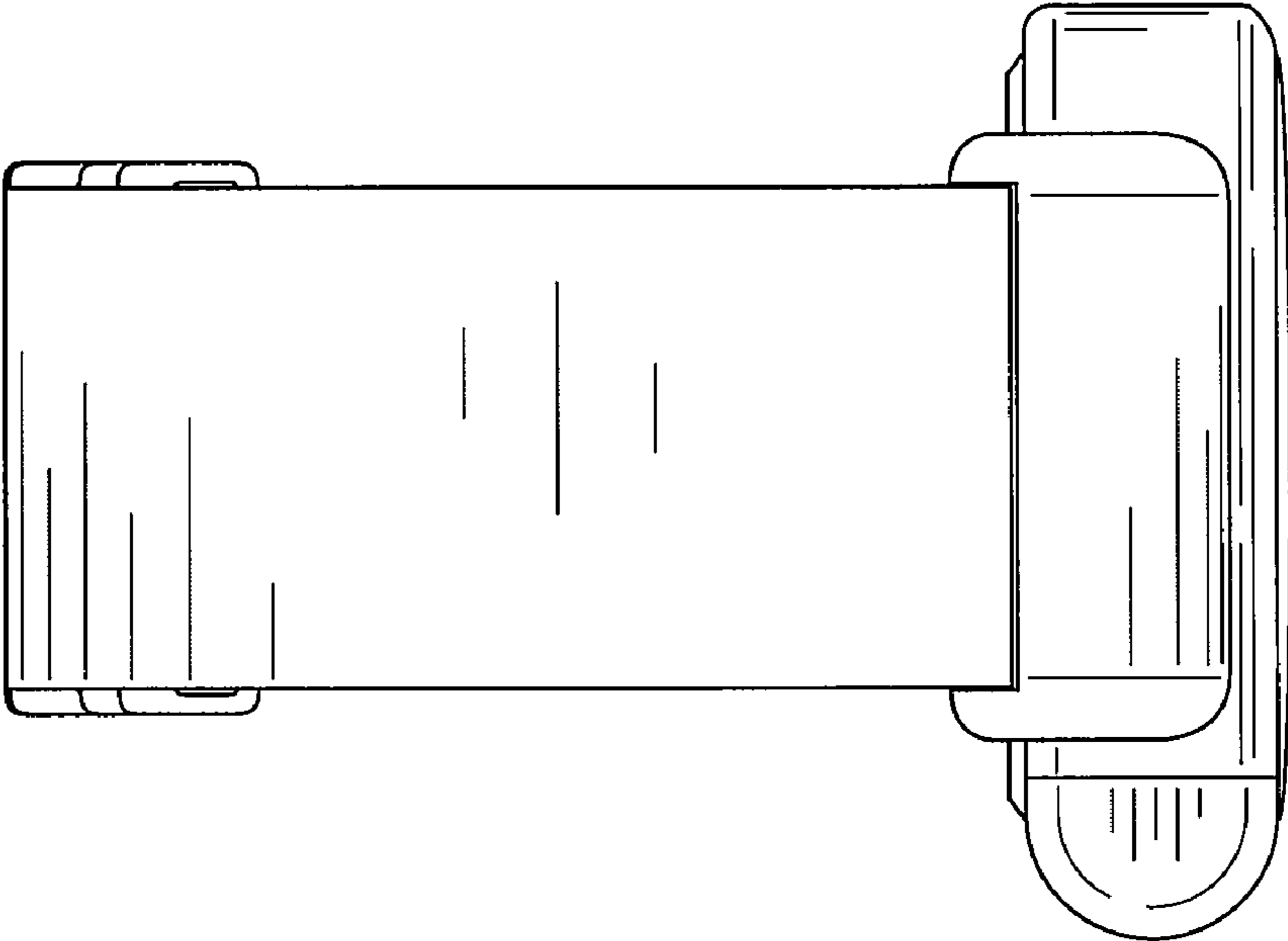


FIG. 1

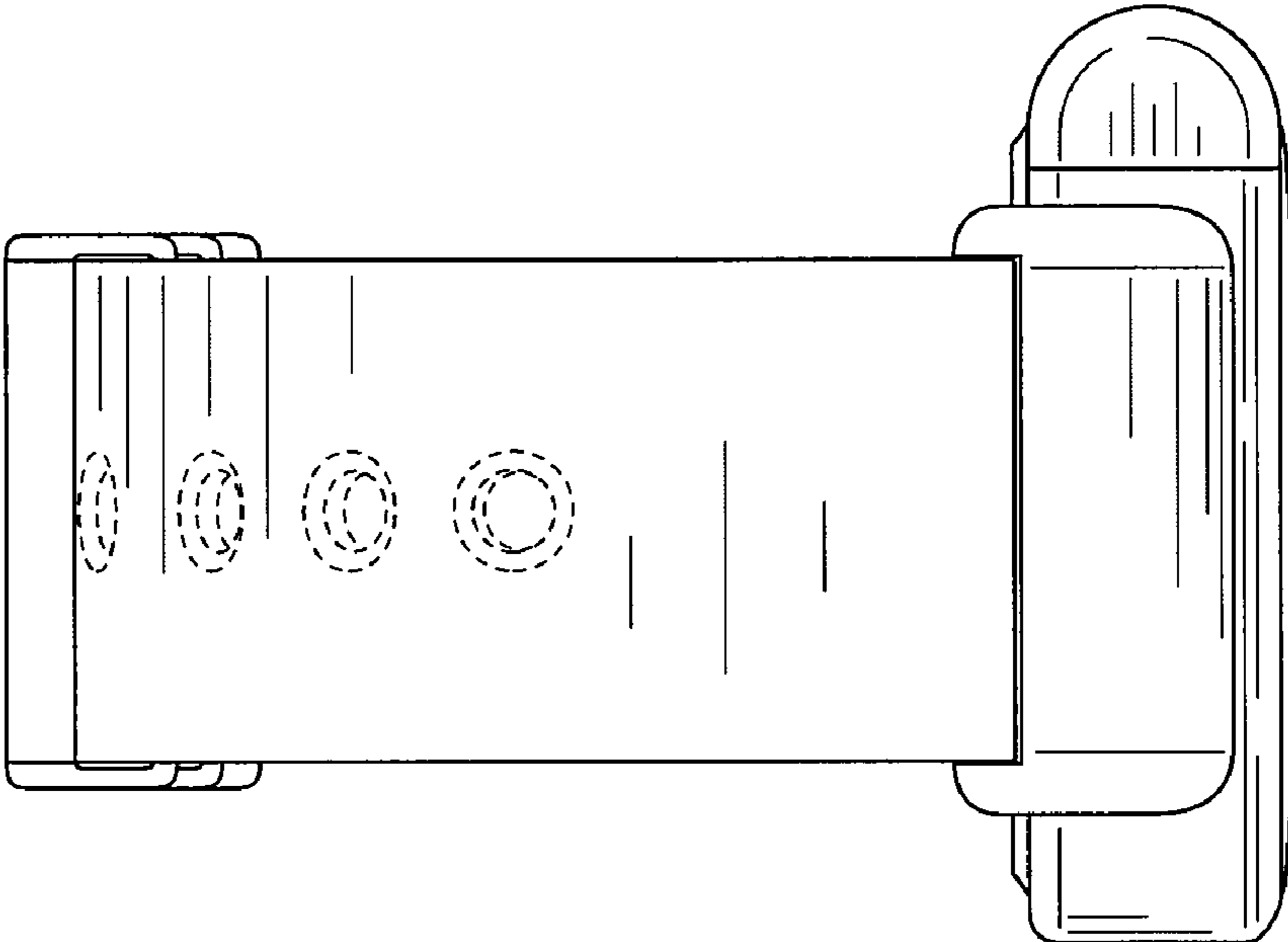


FIG. 2

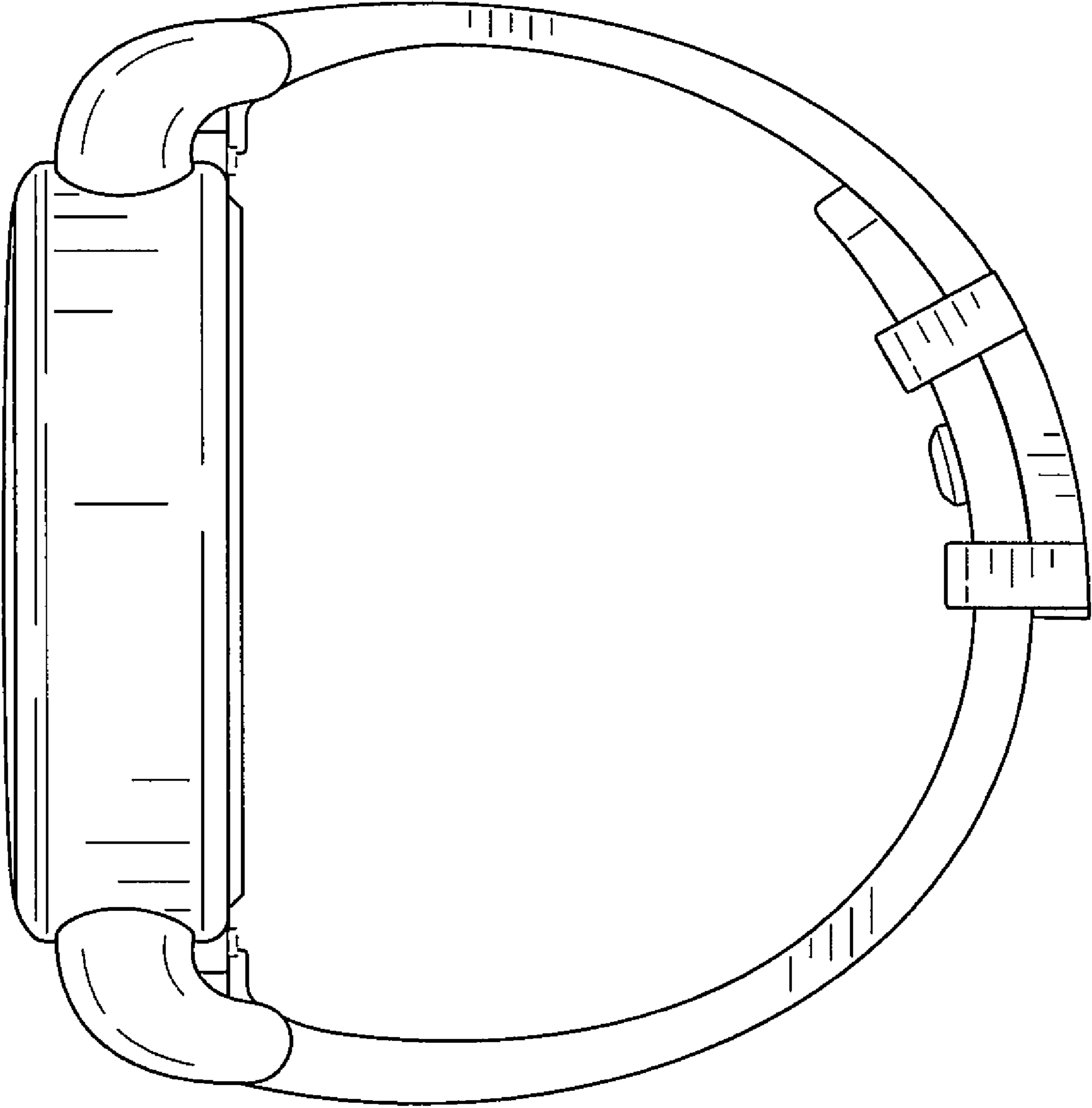


FIG. 3

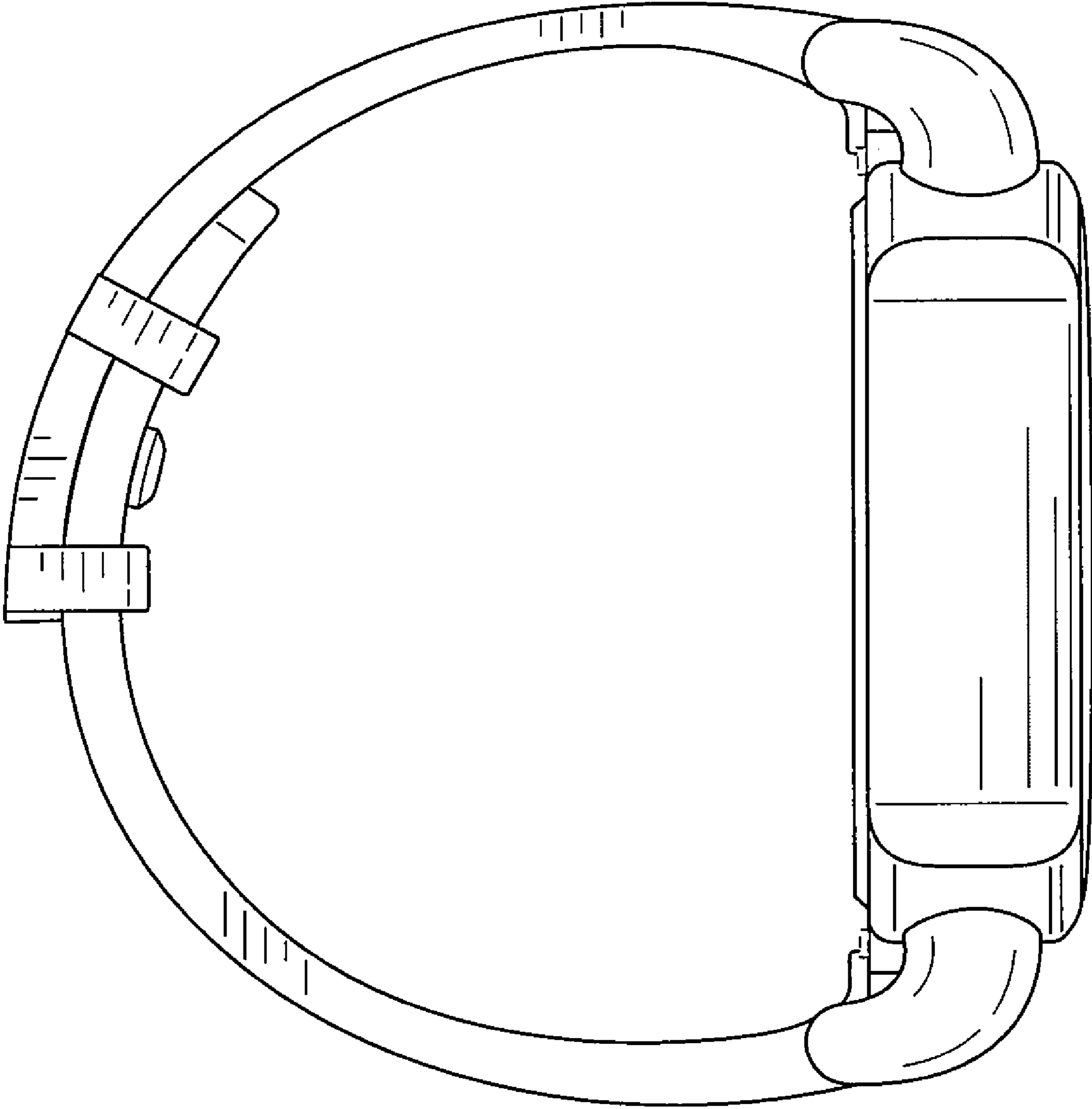


FIG. 4

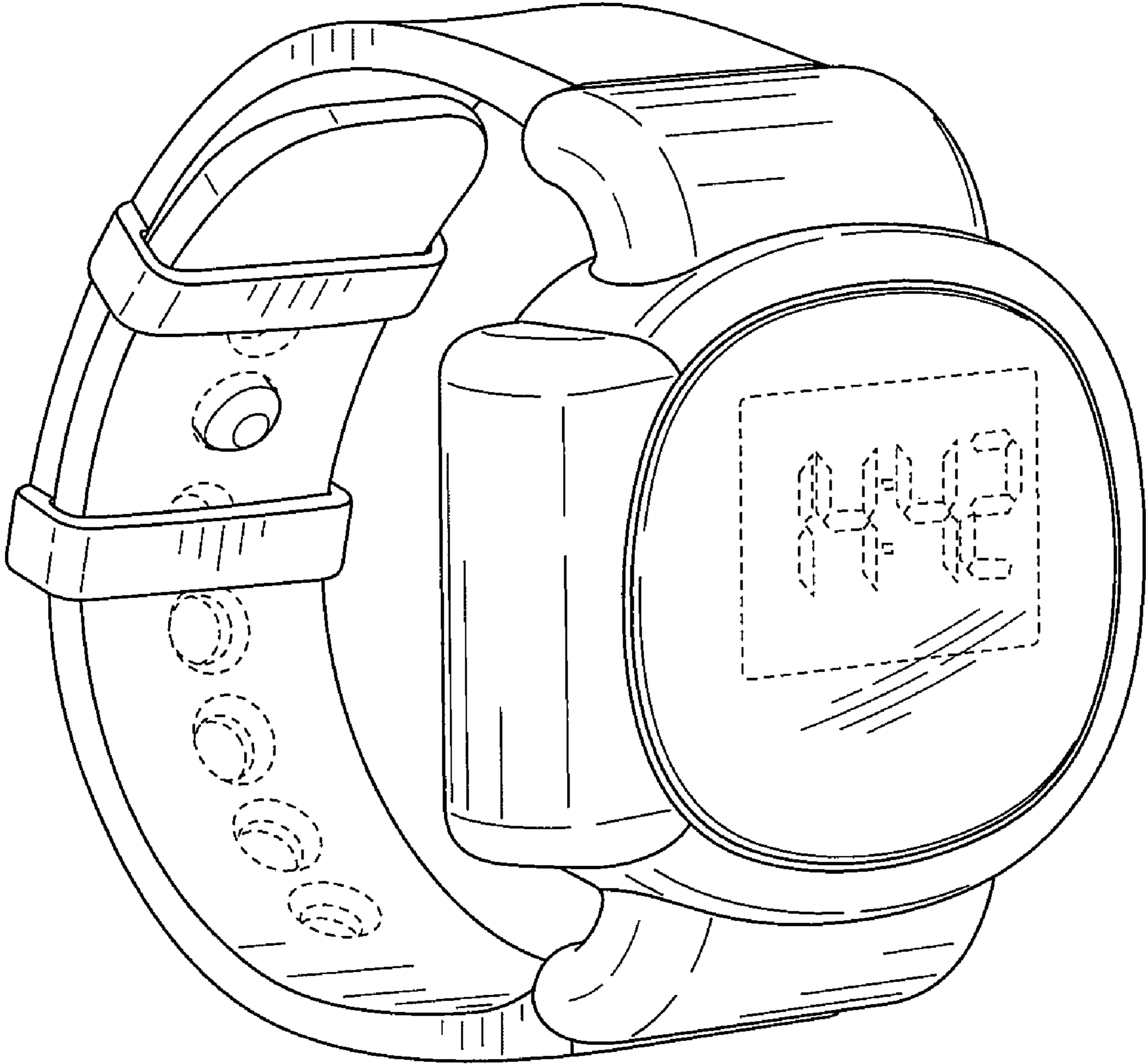


FIG. 5

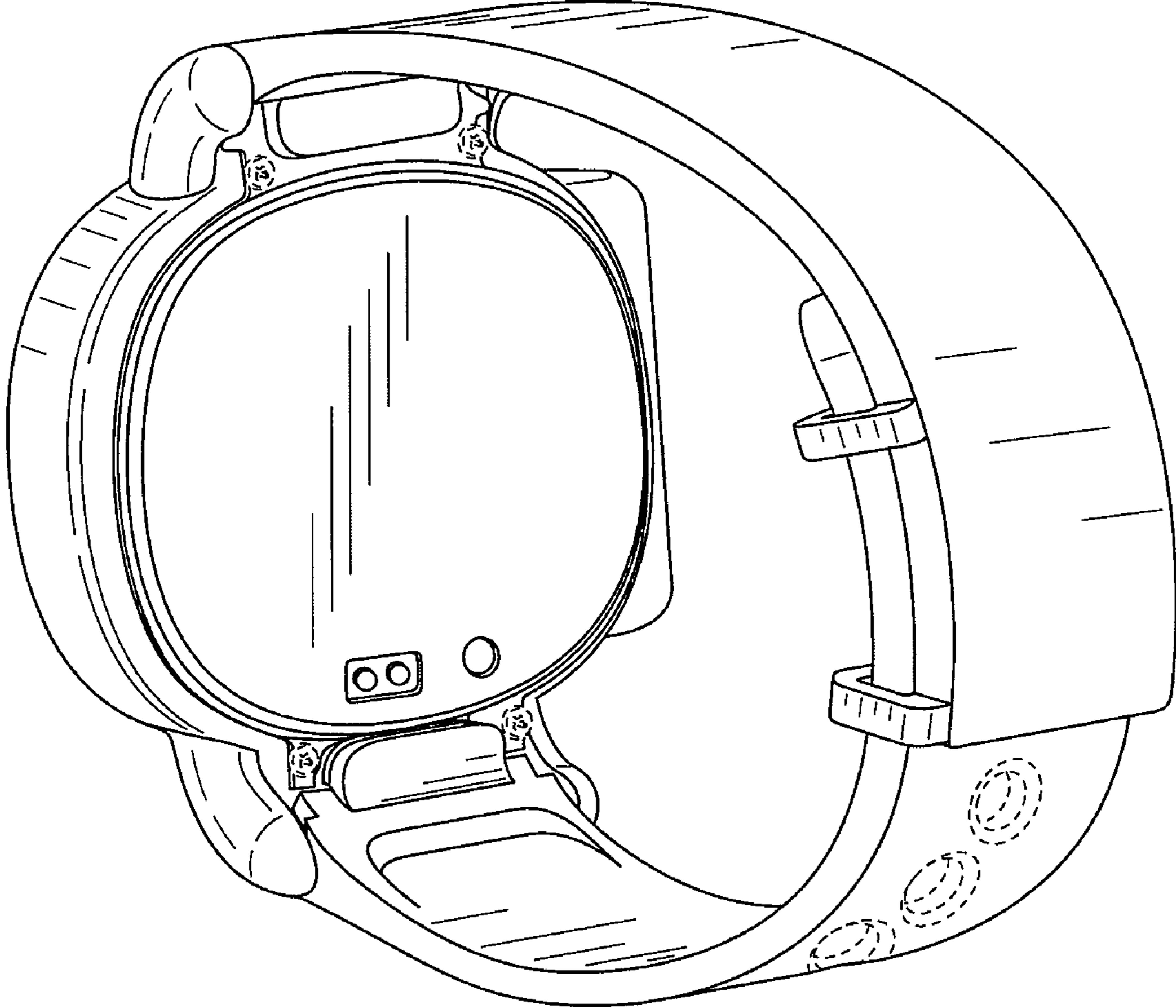


FIG. 6

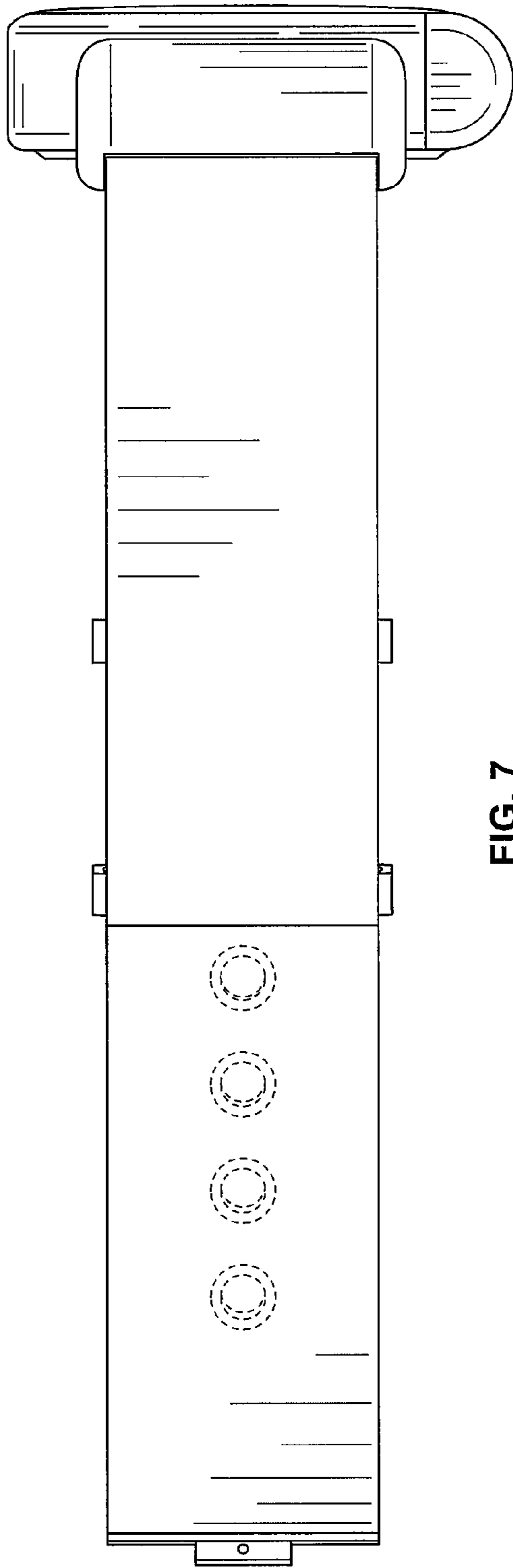


FIG. 7

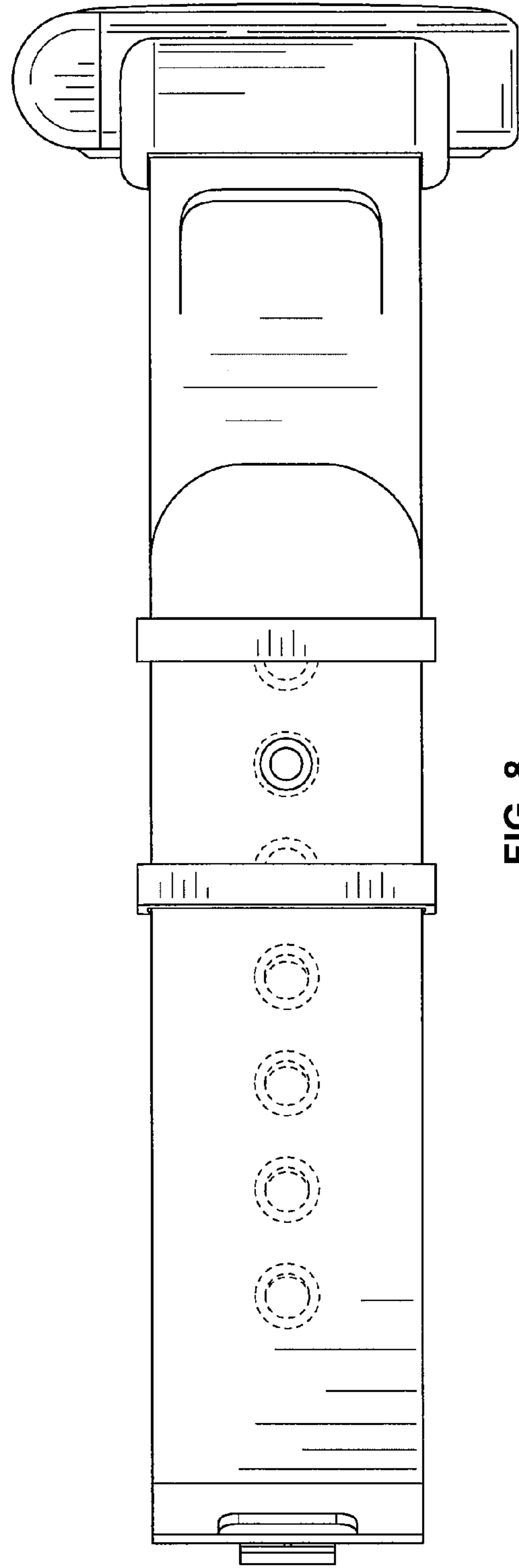


FIG. 8

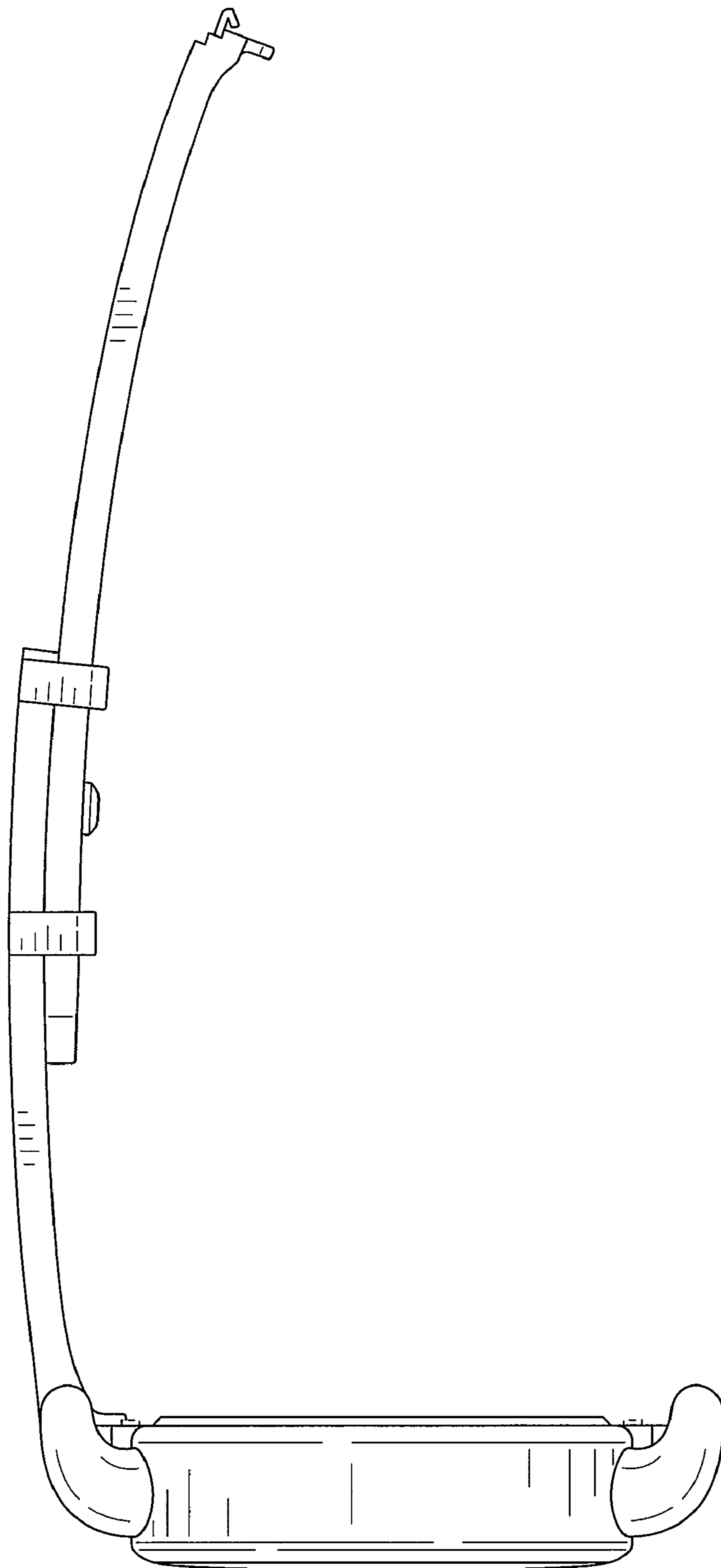


FIG. 9

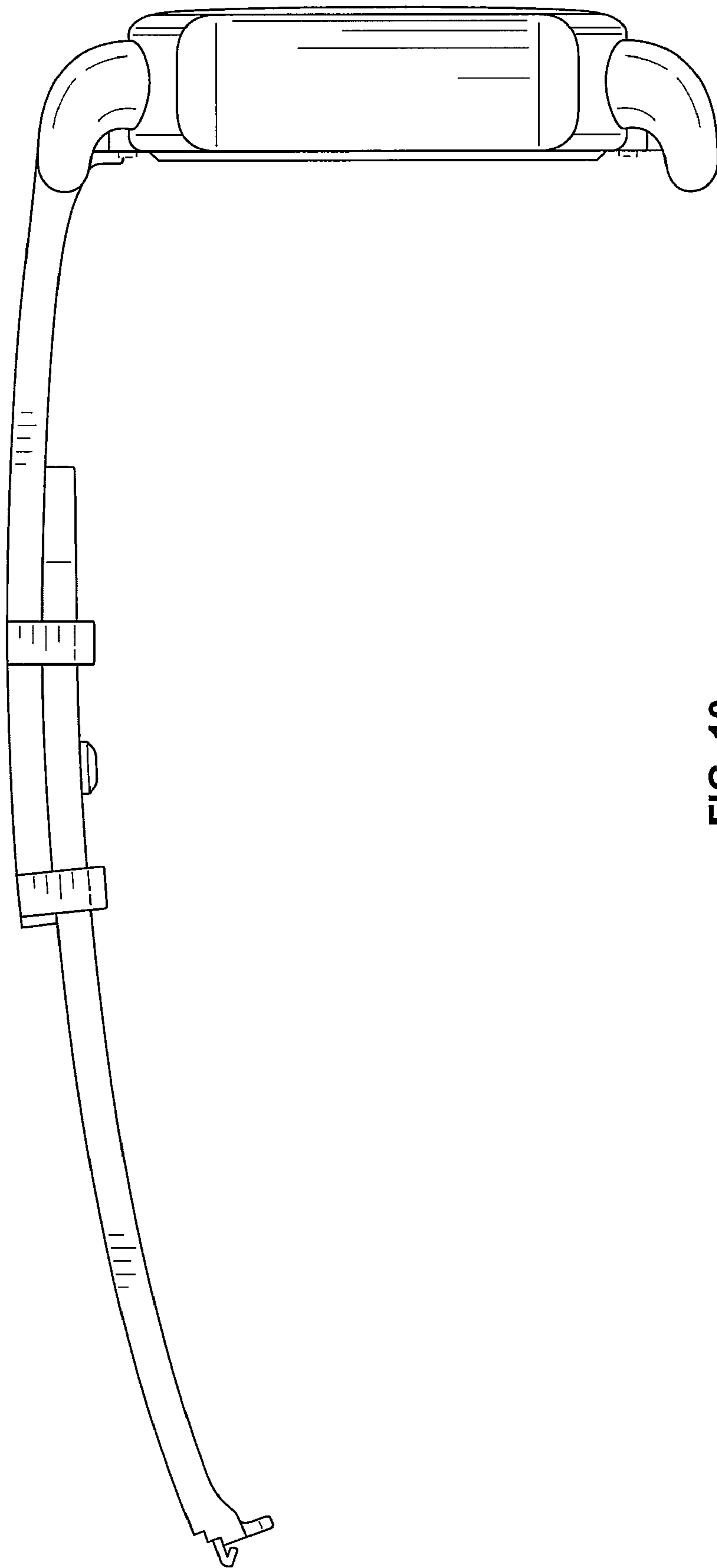


FIG. 10

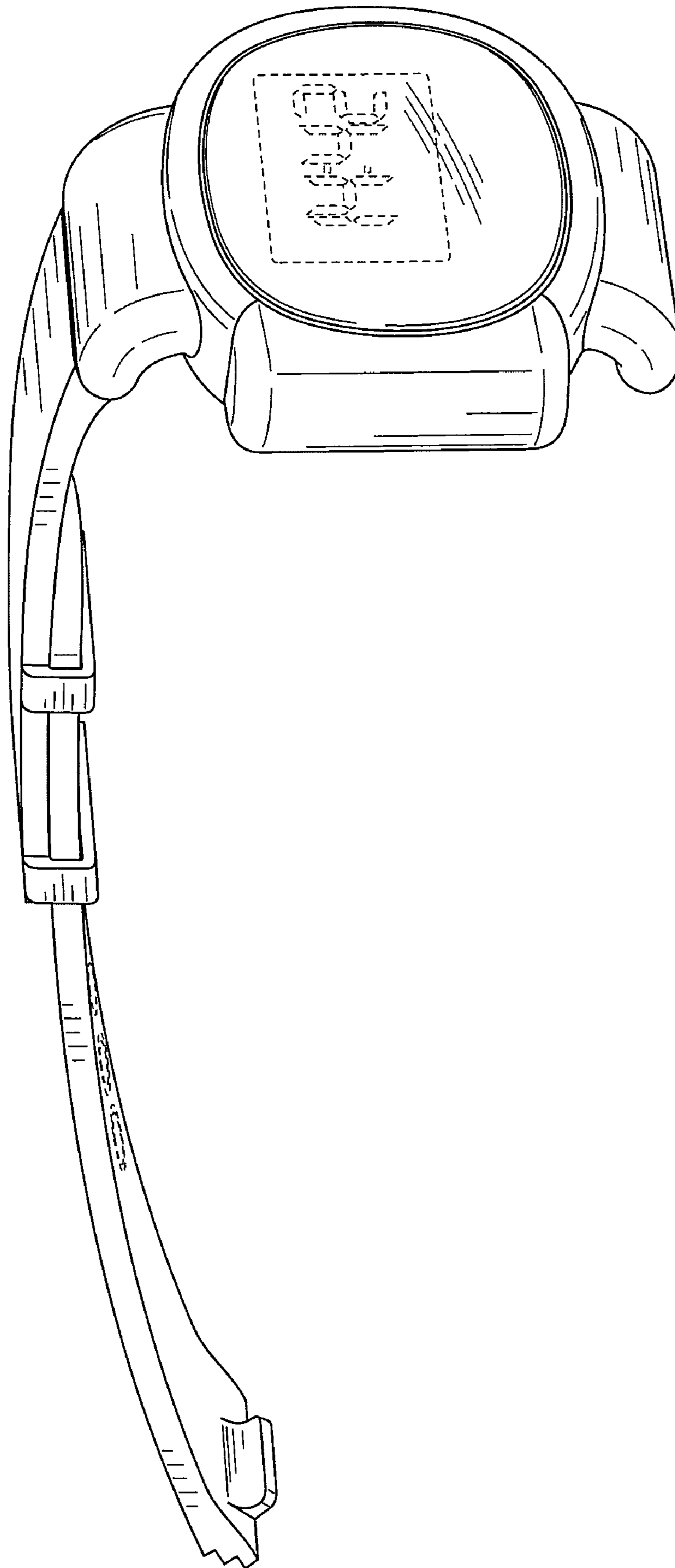


FIG. 11

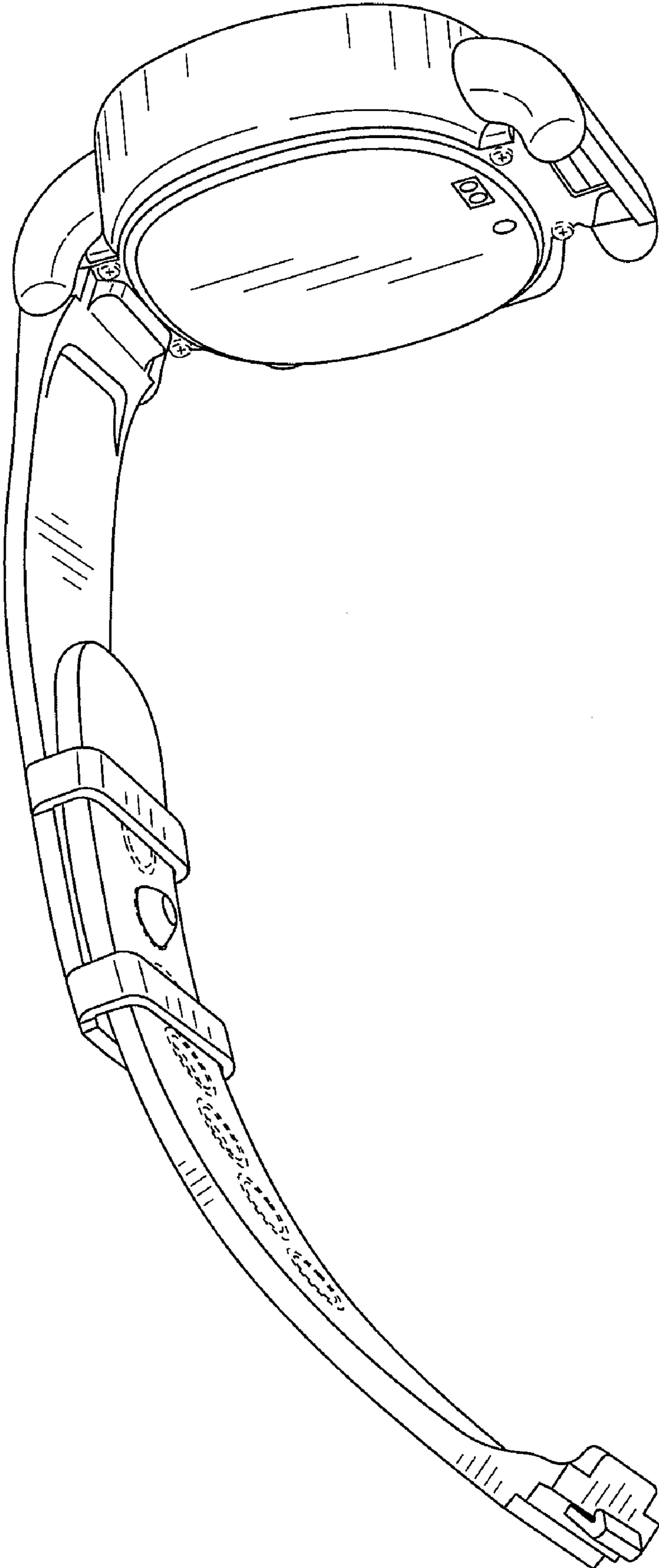


FIG. 12

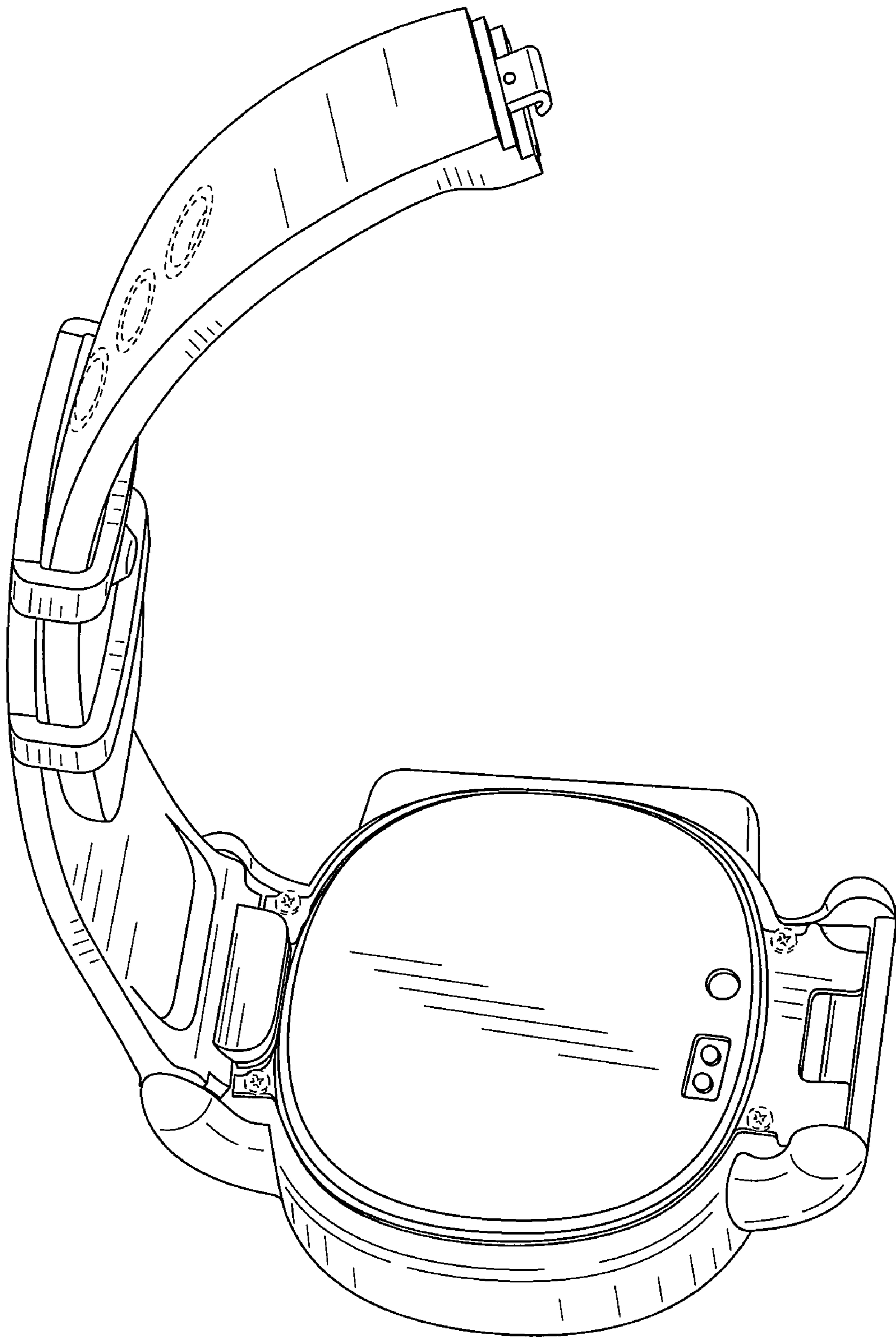


FIG. 13

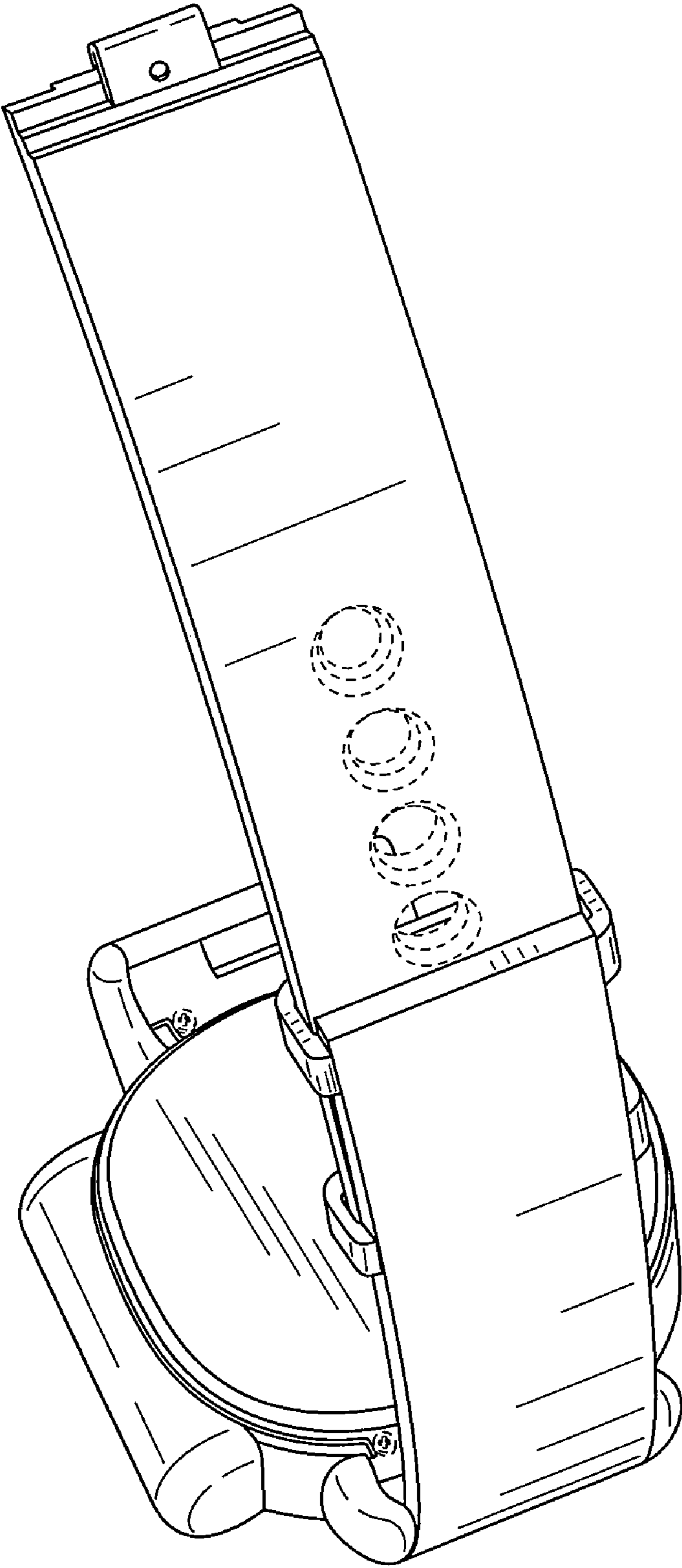


FIG. 14