



(12) **United States Design Patent**
Holtrop

(10) **Patent No.:** **US D605,529 S**
(45) **Date of Patent:** **** Dec. 8, 2009**

(54) **MULTI-PURPOSE SMART JAR**

(76) **Inventor:** **Perryn Holtrop**, P.O. Box 55524,
Riverside, CA (US) 92517

(**) **Term:** **14 Years**

(21) **Appl. No.:** **29/310,418**

(22) **Filed:** **Aug. 13, 2008**

(51) **LOC (9) Cl.** **09-01**

(52) **U.S. Cl.** **D9/746; D9/454; D9/741**

(58) **Field of Classification Search** D9/737,
D9/738, 741, 745, 746, 747, 516, 520, 524,
D9/529, 549, 556, 558, 569, 574, 435, 454;
215/381–385, 6

See application file for complete search history.

(56) **References Cited**

U.S. PATENT DOCUMENTS

D117,705 S *	11/1939	Abrams	D9/746
D120,902 S *	6/1940	Abrams	D9/746
D155,564 S *	10/1949	Ackerman	D9/738
3,015,429 A *	1/1962	Morici	229/120.37
D240,425 S *	7/1976	Bardell	D3/221
D244,256 S *	5/1977	Dekker	D9/745
D313,347 S *	1/1991	Fiore	D9/745
D324,173 S *	2/1992	Lynd	D9/746
5,887,740 A *	3/1999	Hong	220/4.27
D444,702 S *	7/2001	Castleberry, II	D9/746
D487,697 S *	3/2004	Rosen	D9/745
D515,429 S *	2/2006	Pace	D9/529
D515,439 S *	2/2006	Pace	D9/746
D519,034 S *	4/2006	Barnett	D9/556
D520,373 S *	5/2006	Ortiz	D9/559
D530,218 S *	10/2006	Burkemper	D9/655
D555,013 S *	11/2007	Bartolone et al.	D9/738
D562,144 S *	2/2008	Lane	D9/556
D581,279 S *	11/2008	Oates	D9/529

* cited by examiner

Primary Examiner—Stella M Reid

Assistant Examiner—Elizabeth J Oswecki

(74) *Attorney, Agent, or Firm*—Grant's Law Firm; Allan Grant

(57) **CLAIM**

I claim the ornamental design for the multi-purpose smart jar, as shown and described.

DESCRIPTION

The multi-purpose smart jar is a versatile storage device that is comprised of a top portion of a jar, a bottom portion of a jar, and a screw top lid. The multi-purpose smart jar is used for, but not limited to peanut butter, jelly, jam, and mayonnaise.

FIG. 1 is a perspective view of an assembled multi-purpose smart jar showing the top portion of the jar, the bottom portion of the jar, and a screw top lid connected in a closed position showing my new design;

FIG. 2 is a perspective view of an assembled multi-purpose smart jar showing the screw top lid connected to the bottom portion of the jar in a closed position;

FIG. 3 is an exploded perspective view of a disassembled multi-purpose smart jar showing the top portion of the jar, the bottom portion of the jar, and the screw top lid;

FIG. 4 is an exploded front view of a disassembled multi-purpose smart jar showing the top portion of the jar, the bottom portion of the jar, and the screw top lid;

FIG. 5 is an exploded back view thereof;

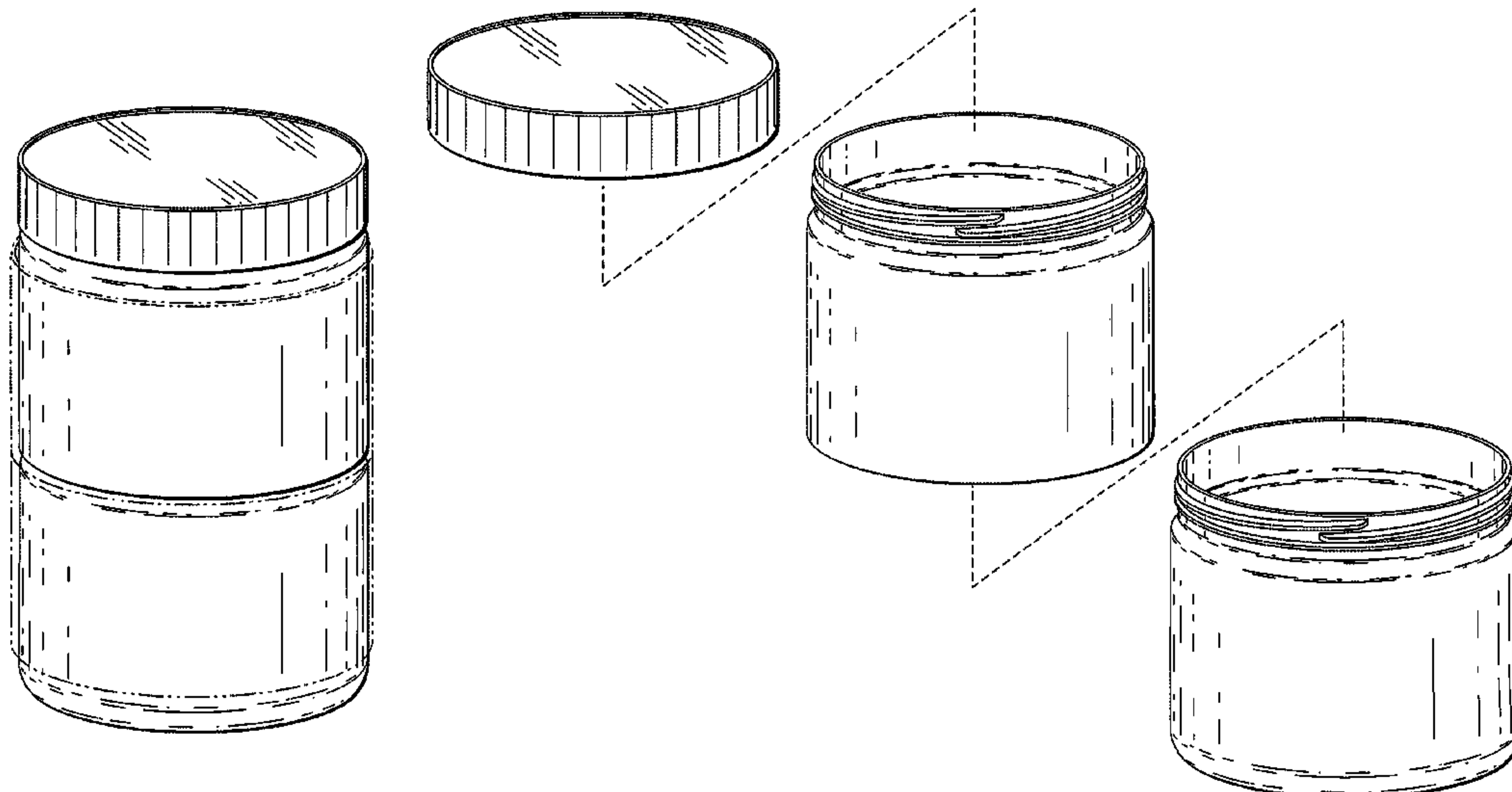
FIG. 6 is an exploded side view thereof;

FIG. 7 is an exploded opposite side view of FIG. 6 thereof;

FIG. 8 is an exploded top view of a disassembled multi-purpose smart jar showing the top portion of the jar, the bottom portion of the jar, and the screw top lid; and,

FIG. 9 is an exploded bottom view thereof.

1 Claim, 6 Drawing Sheets



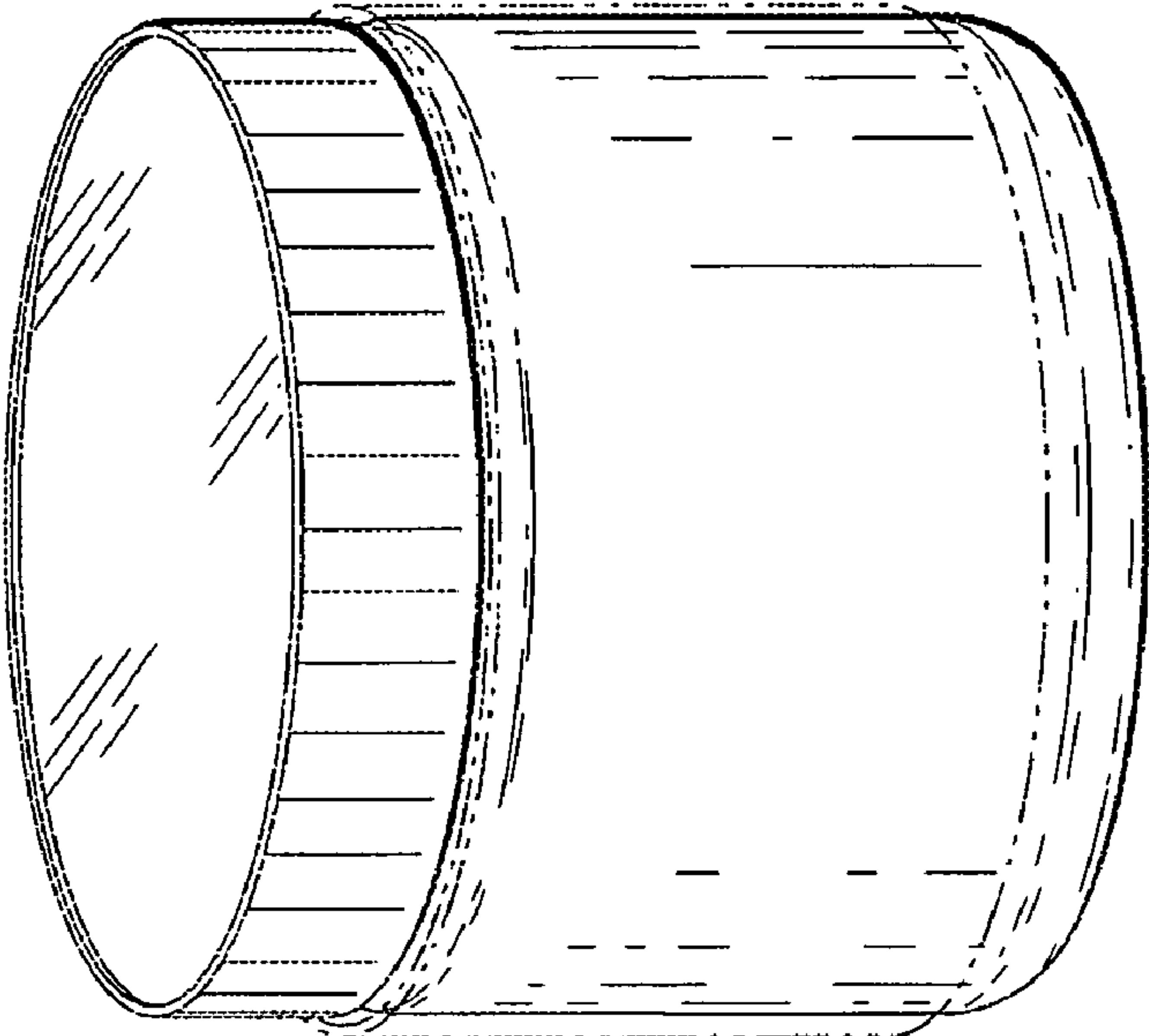


Fig. 2

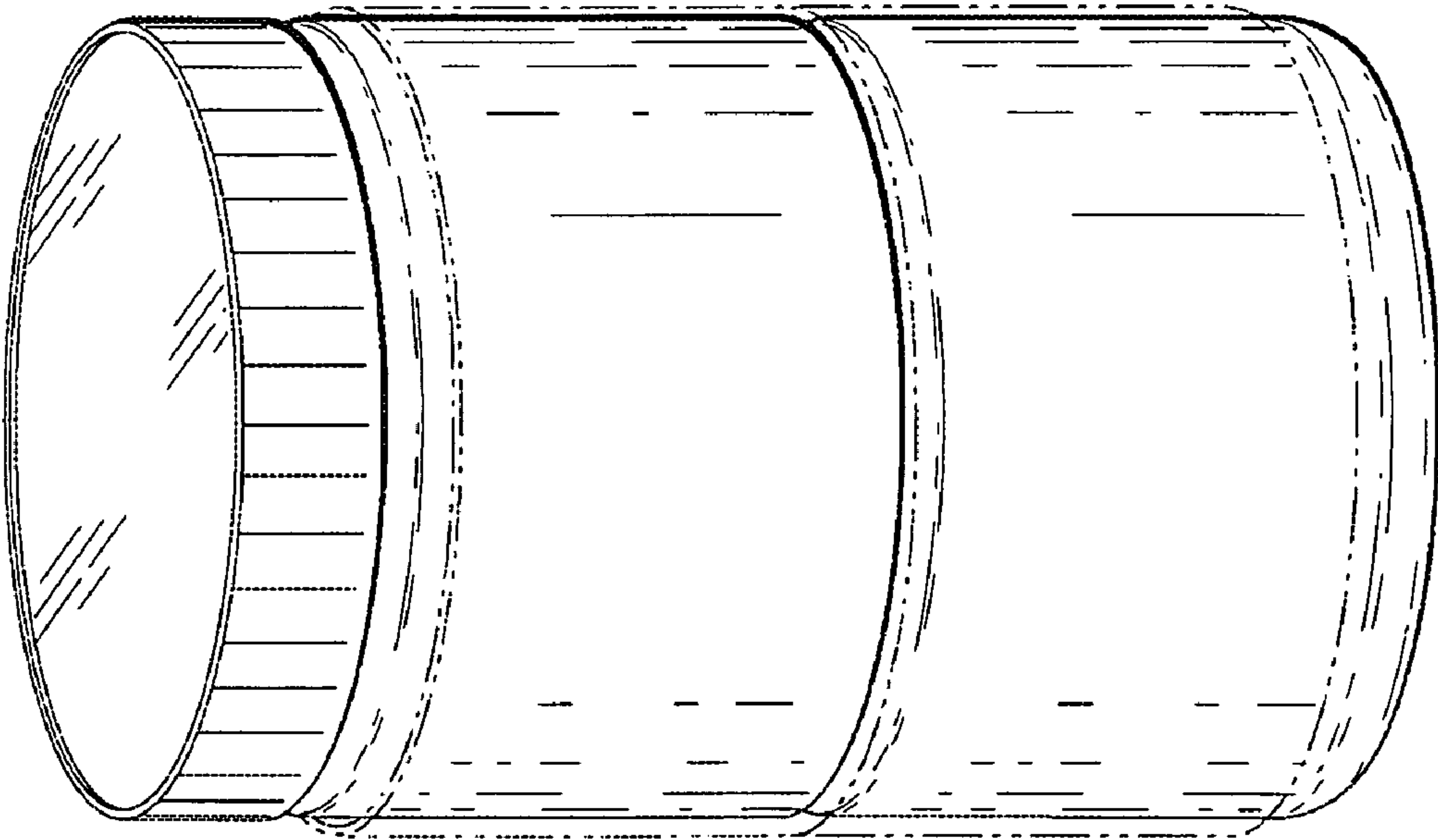


Fig. 1

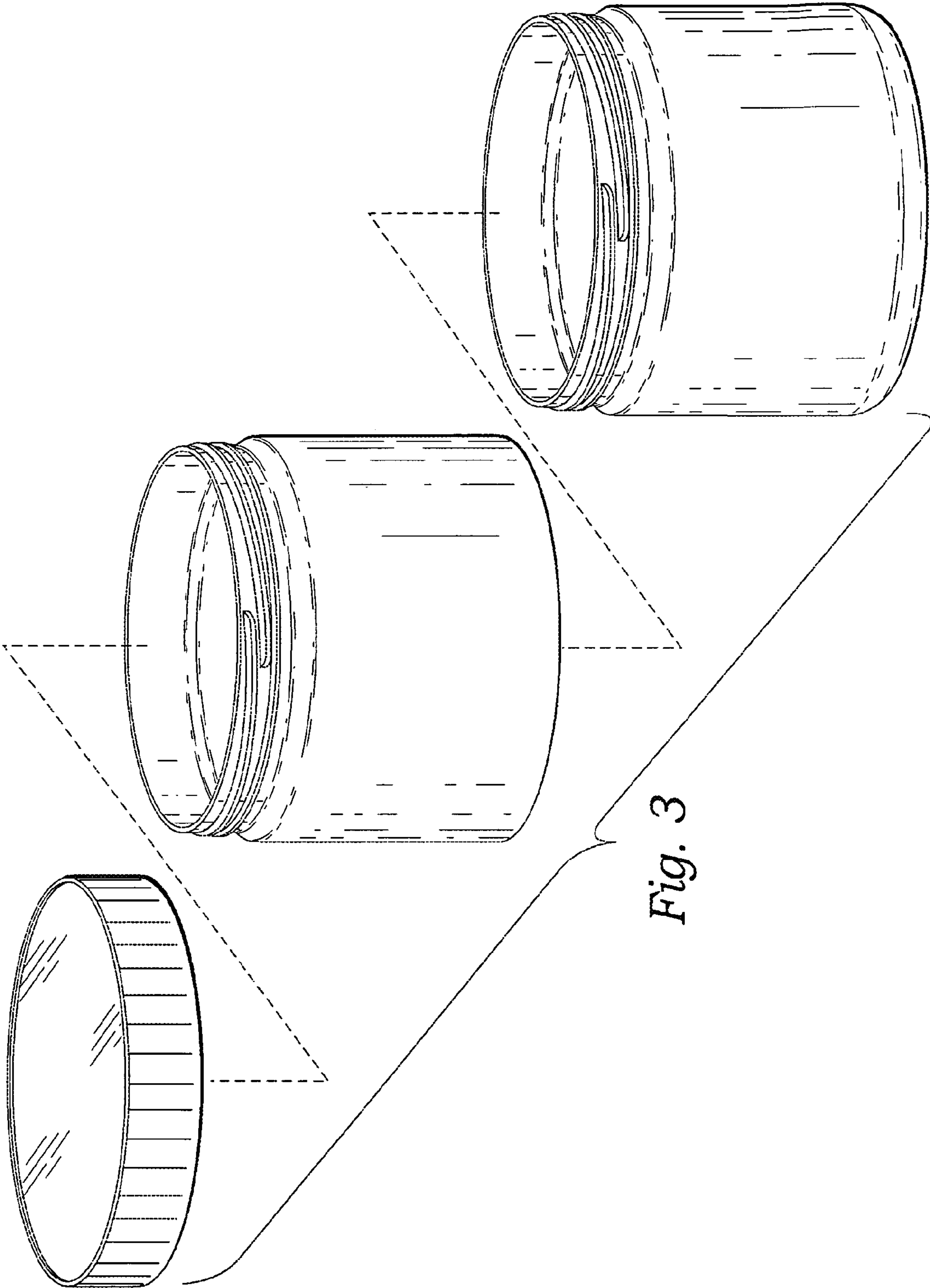


Fig. 3

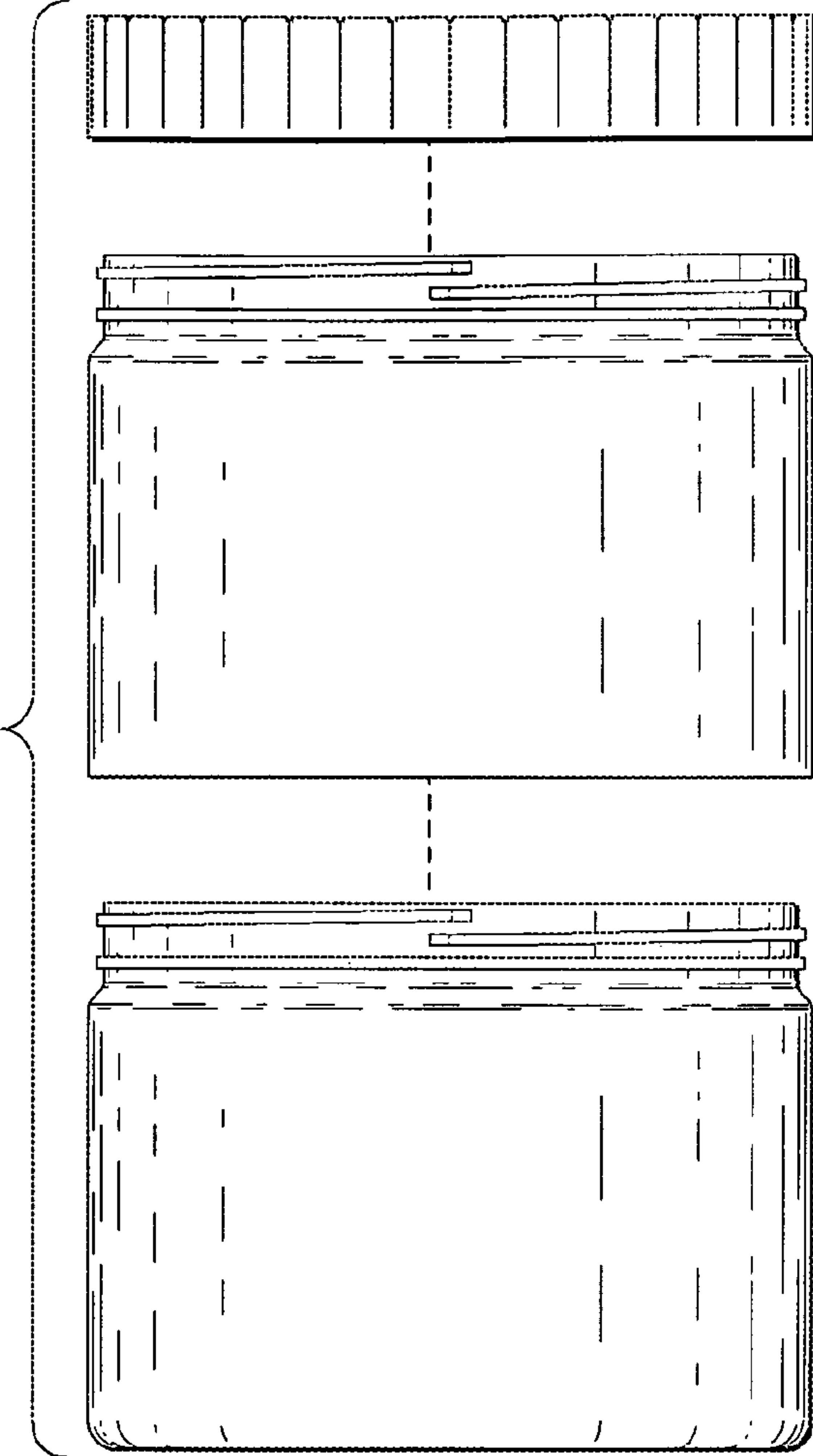


Fig. 4

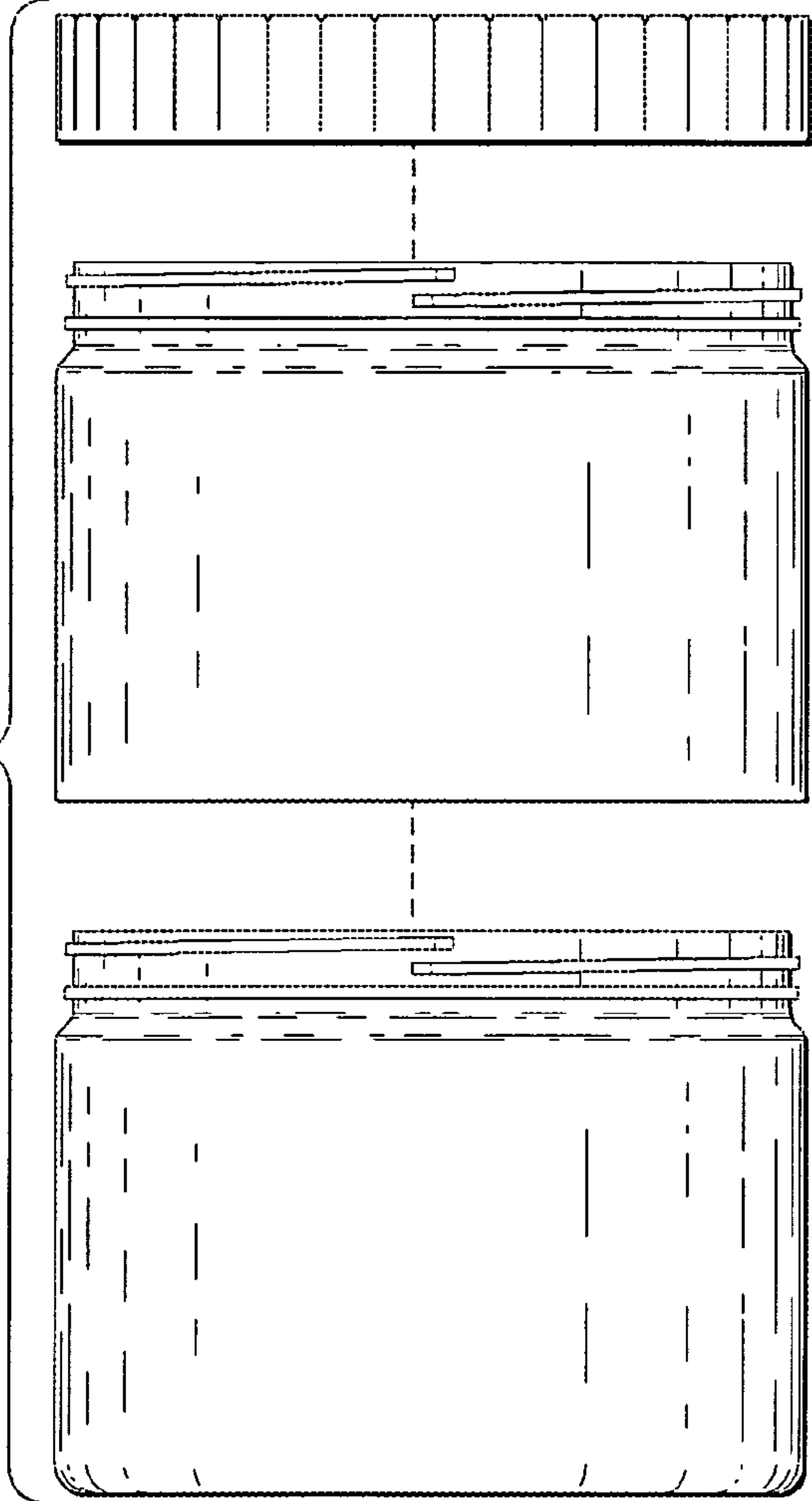


Fig. 5

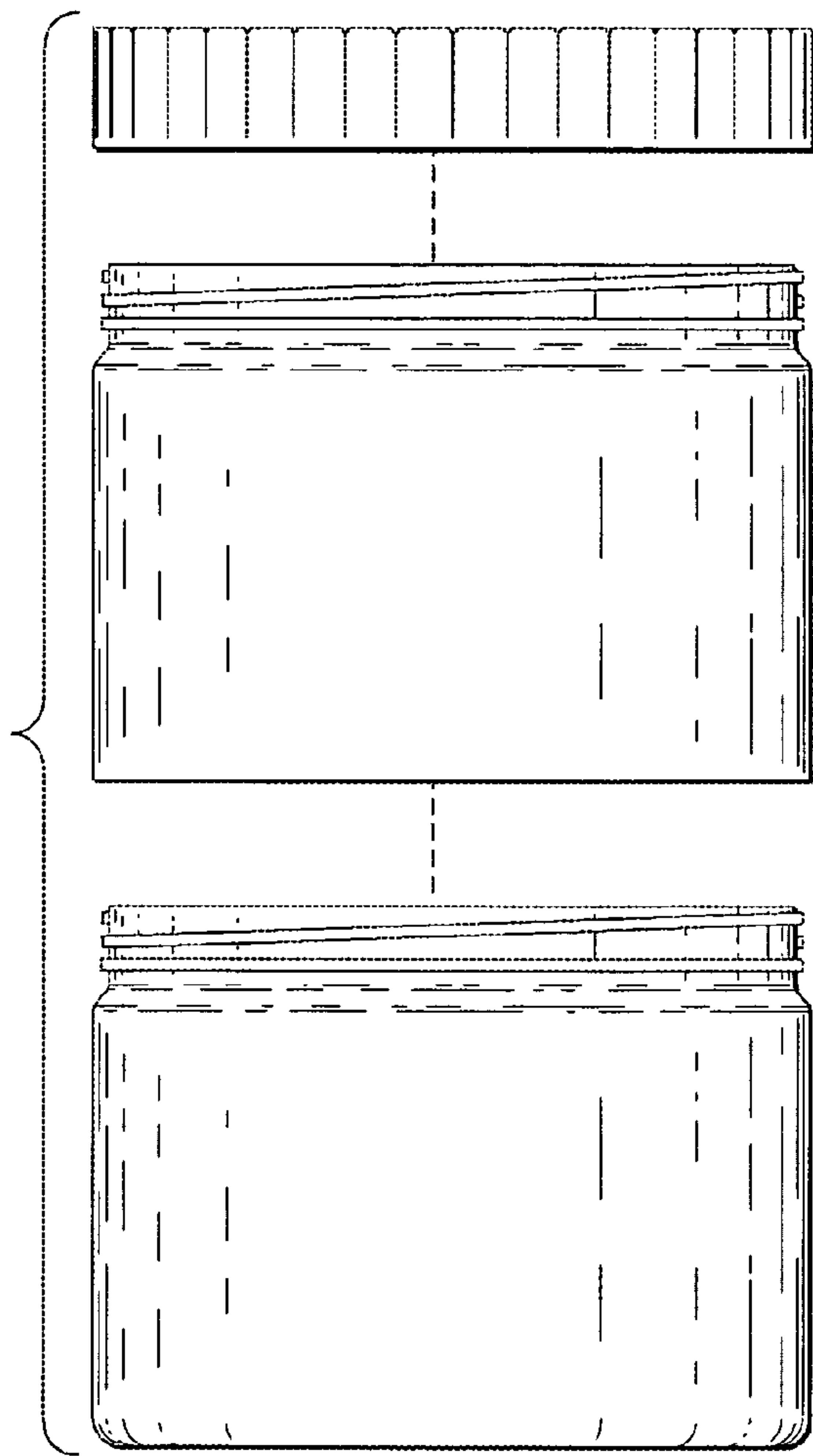


Fig. 6

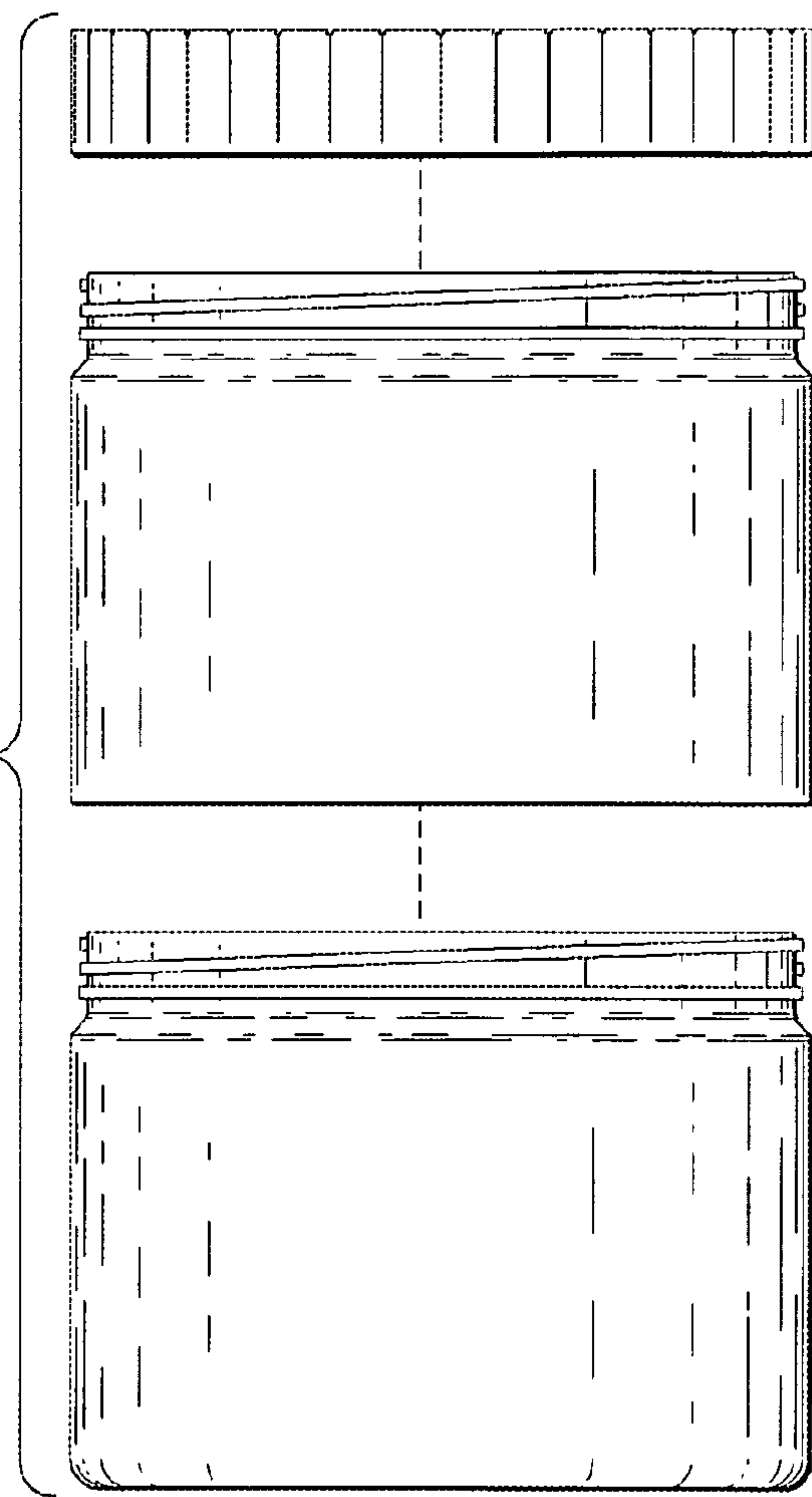


Fig. 7

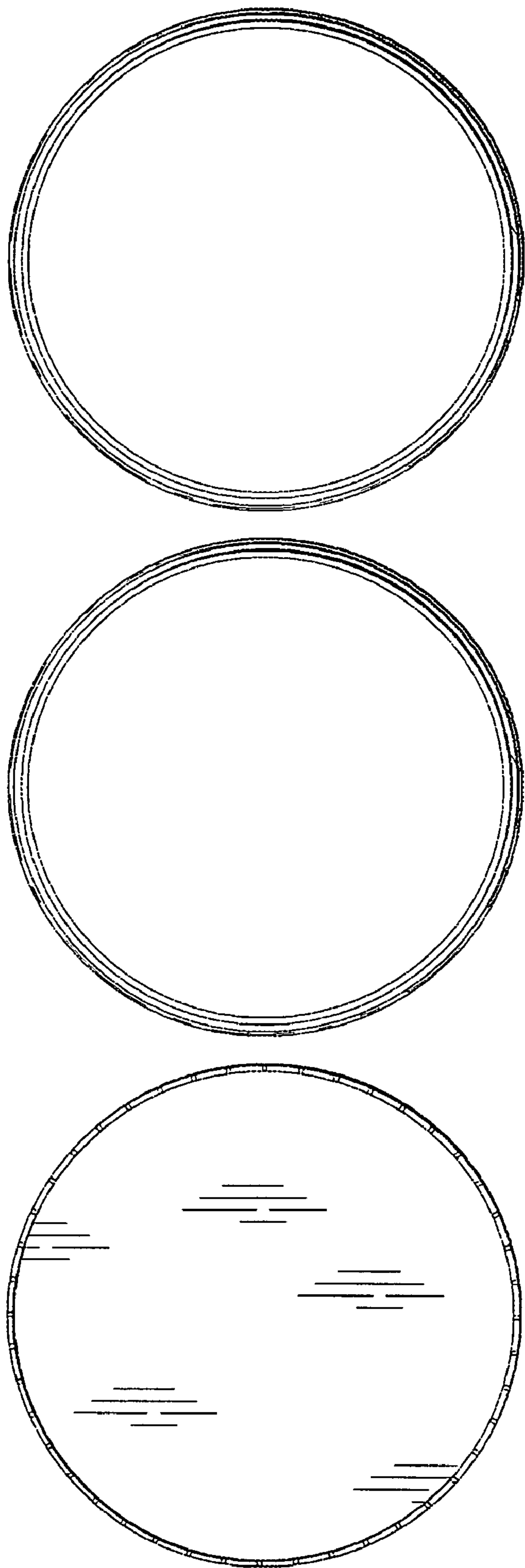


Fig. 8

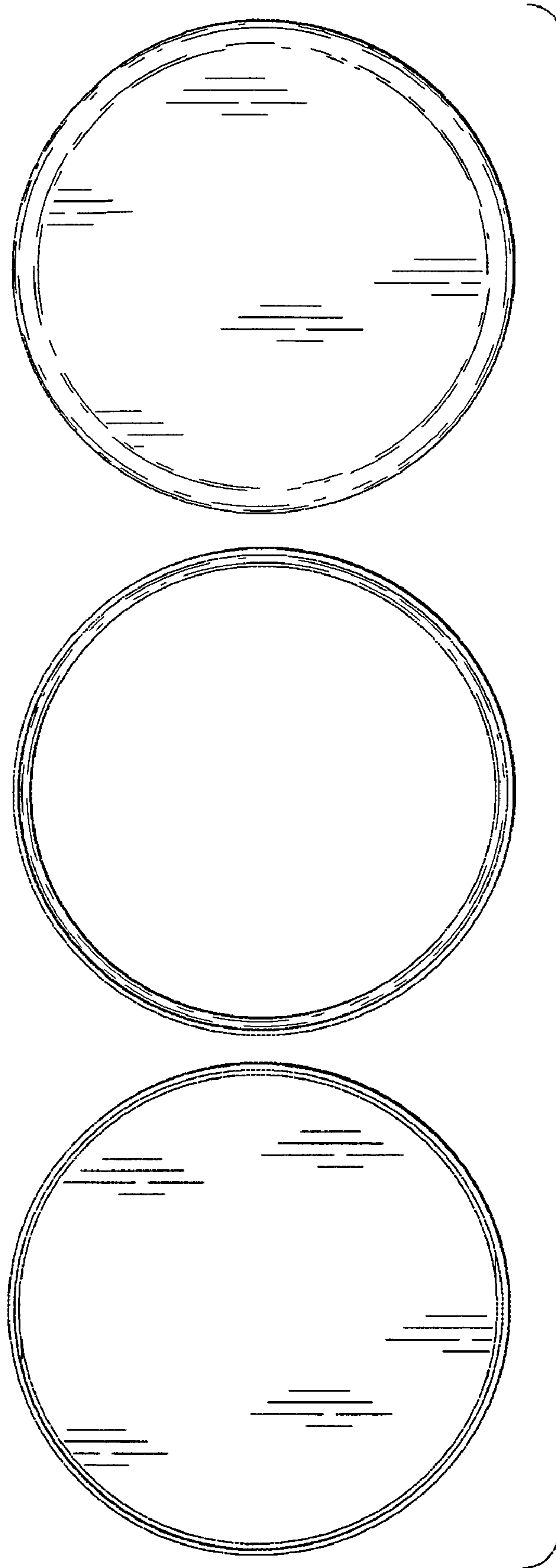


Fig. 9