



US00D605528S

(12) **United States Design Patent**  
**Cho et al.**

(10) **Patent No.:** **US D605,528 S**

(45) **Date of Patent:** **\*\* Dec. 8, 2009**

(54) **DENTAL POUCH**

(75) Inventors: **William Cho**, Reno, NV (US); **Charles R. Harder**, San Dimas, CA (US)

(73) Assignee: **Critical Clean Packaging, LLC**, Reno, NV (US)

(\*\*) Term: **14 Years**

(21) Appl. No.: **29/276,735**

(22) Filed: **Feb. 2, 2007**

(51) **LOC (9) Cl.** ..... **09-05**

(52) **U.S. Cl.** ..... **D9/707**

(58) **Field of Classification Search** ..... D9/702-714,  
D9/720, 484; D24/207, 121, 188; 206/484,  
206/811; 426/106; 428/35.2; 229/87.05;  
383/106-108, 61.2; 222/92, 107, 215  
See application file for complete search history.

(56) **References Cited**

**U.S. PATENT DOCUMENTS**

D466,004 S \* 11/2002 Gates ..... D9/707  
D535,192 S \* 1/2007 Yashima et al. .... D9/702

D545,689 S \* 7/2007 Peel ..... D9/707  
D555,009 S \* 11/2007 Lin ..... D9/707  
D555,010 S \* 11/2007 Maier et al. .... D9/707  
D557,148 S \* 12/2007 Kapinos, Sr. .... D9/707  
D563,241 S \* 3/2008 Nimey ..... D9/705  
D586,232 S \* 2/2009 Friebe et al. .... D9/707  
D588,013 S \* 3/2009 Tanaka et al. .... D9/703

\* cited by examiner

*Primary Examiner*—Joel Sincavage

*Assistant Examiner*—Abraham Bahta

(74) *Attorney, Agent, or Firm*—Ian F. Burns & Associates, P.C.

(57) **CLAIM**

We claim the ornamental design for a dental pouch, as shown and described.

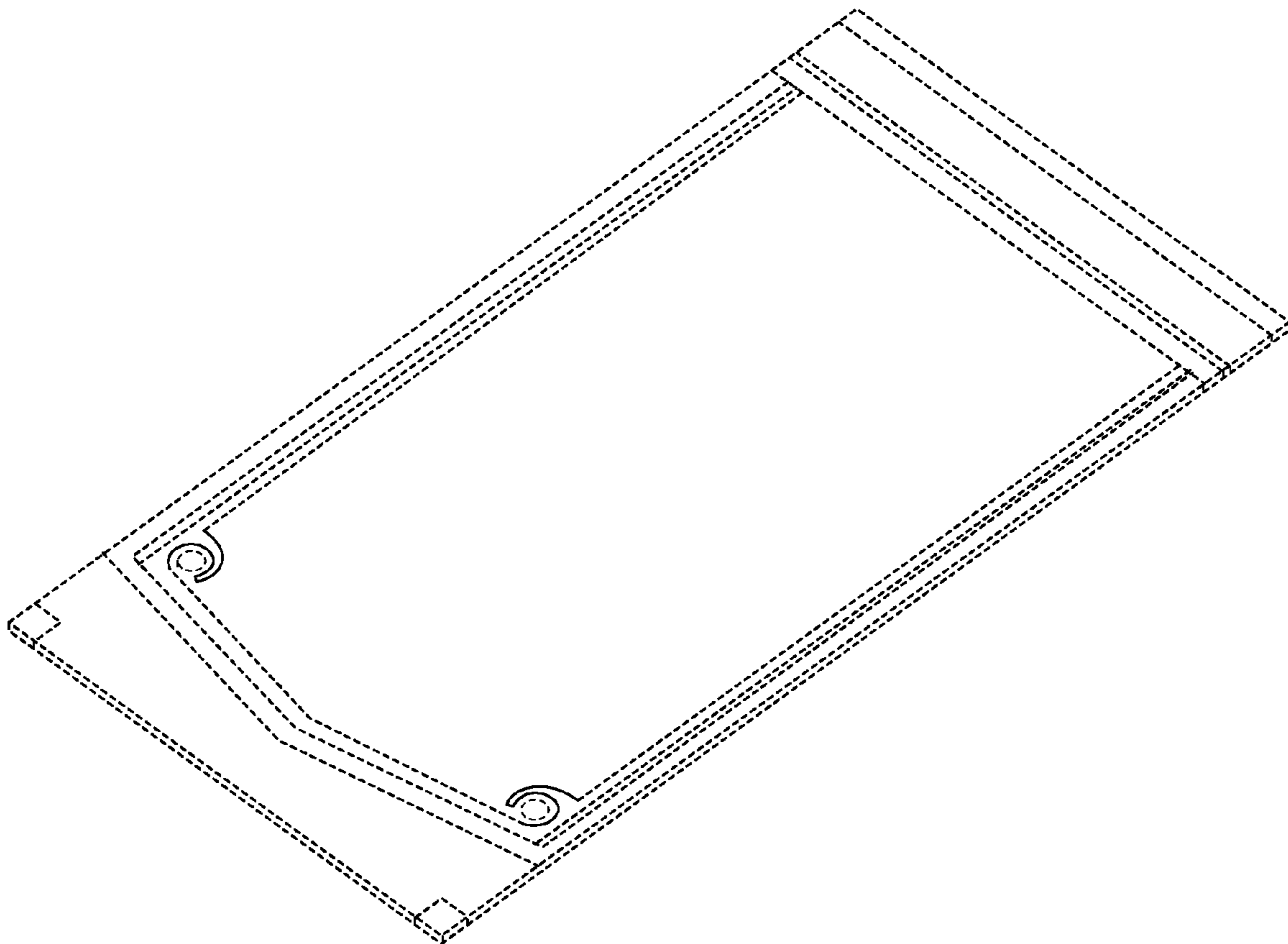
**DESCRIPTION**

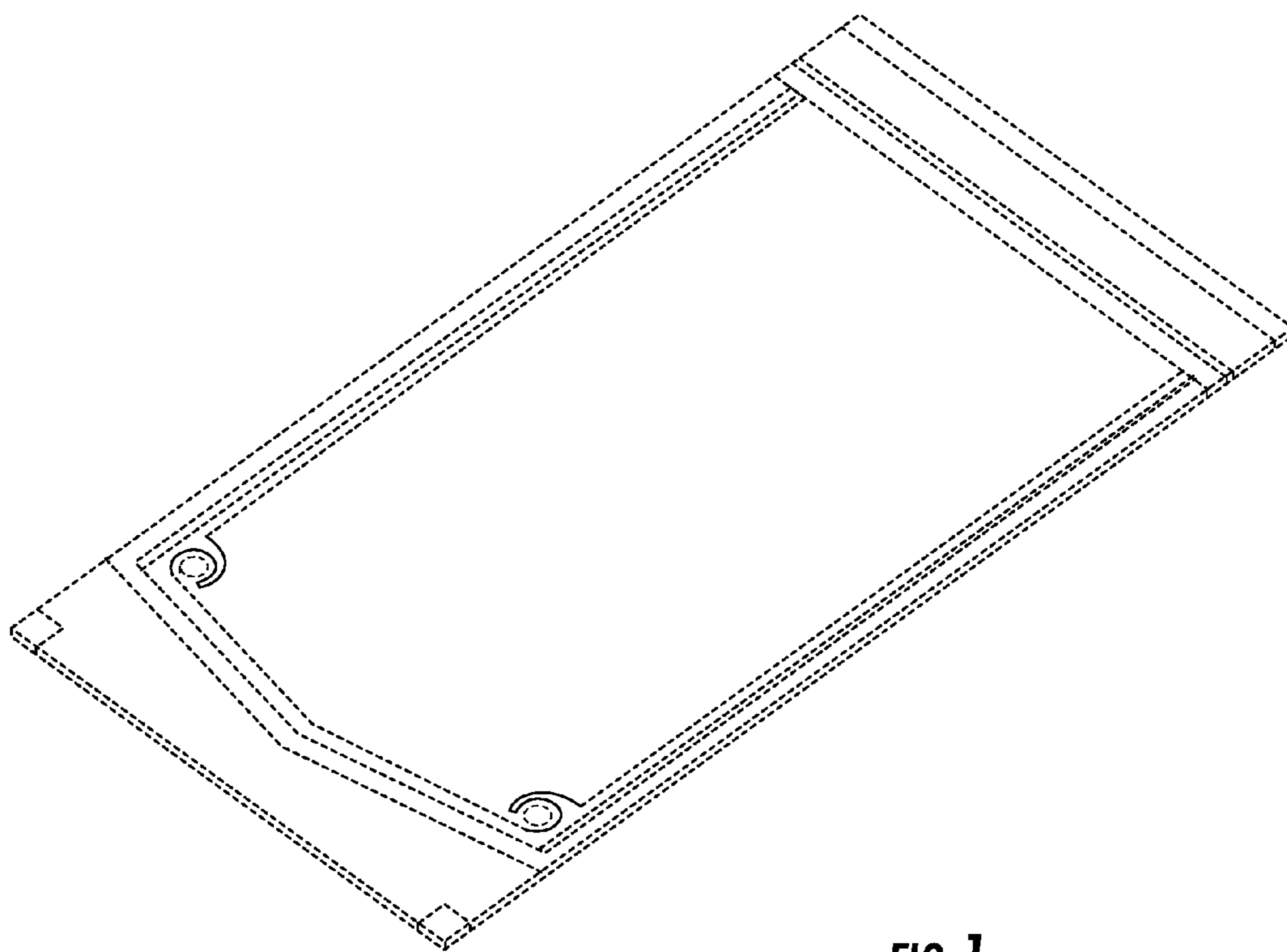
FIG. 1 is a perspective view of the dental pouch; and,

FIG. 2 is a top plan view of the dental pouch.

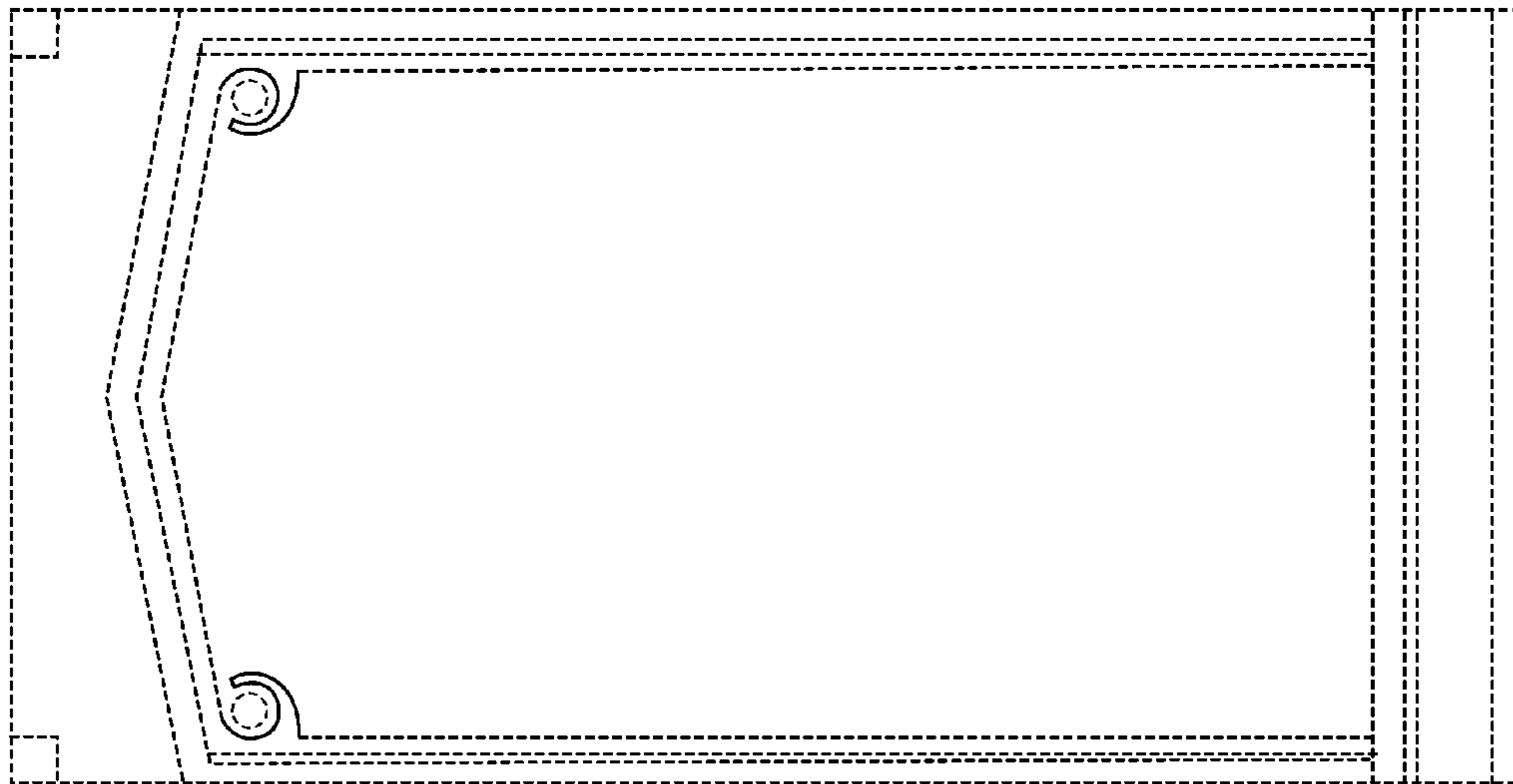
Broken lines illustrate features or environmental components that are not part of the design sought to be patented.

**1 Claim, 2 Drawing Sheets**





**FIG. 1**



**FIG. 2**