



US00D605525S

(12) **United States Design Patent**
Zitterkopf

(10) **Patent No.:** **US D605,525 S**

(45) **Date of Patent:** **** Dec. 8, 2009**

(54) **TOOTHBRUSH SHAPED TOOTHPASTE PACKAGE**

D382,668 S * 8/1997 Dolan D9/713
5,692,610 A * 12/1997 Porteous 206/368
6,059,106 A * 5/2000 Baker et al. 206/368

(76) Inventor: **Dale D. Zitterkopf**, 225 Lenore St.,
Twin Falls, ID (US) 83301

* cited by examiner

(**) Term: **14 Years**

Primary Examiner—Sandra Morris

(74) *Attorney, Agent, or Firm*—Theresa M. Seal

(21) Appl. No.: **29/315,430**

(57) **CLAIM**

(22) Filed: **Jun. 26, 2009**

The ornamental design for a toothbrush shaped toothpaste package, as shown and described.

(51) **LOC (9) Cl.** **09-01**

(52) **U.S. Cl.** **D9/600**

(58) **Field of Classification Search** D9/600,
D9/702–703, 707, 709–711, 713, 718, 720;
D3/270–271.1; 206/229, 368–369, 457,
206/822; 215/400; 220/890; 229/116.1–116.3;
D4/104

DESCRIPTION

See application file for complete search history.

FIG. 1 is a perspective view of a toothbrush shaped toothpaste package;

FIG. 2 is a top plan view thereof;

FIG. 3 is a left side view thereof;

FIG. 4 is a right side view thereof;

FIG. 5 is a front end view thereof; and,

FIG. 6 is a back end view thereof.

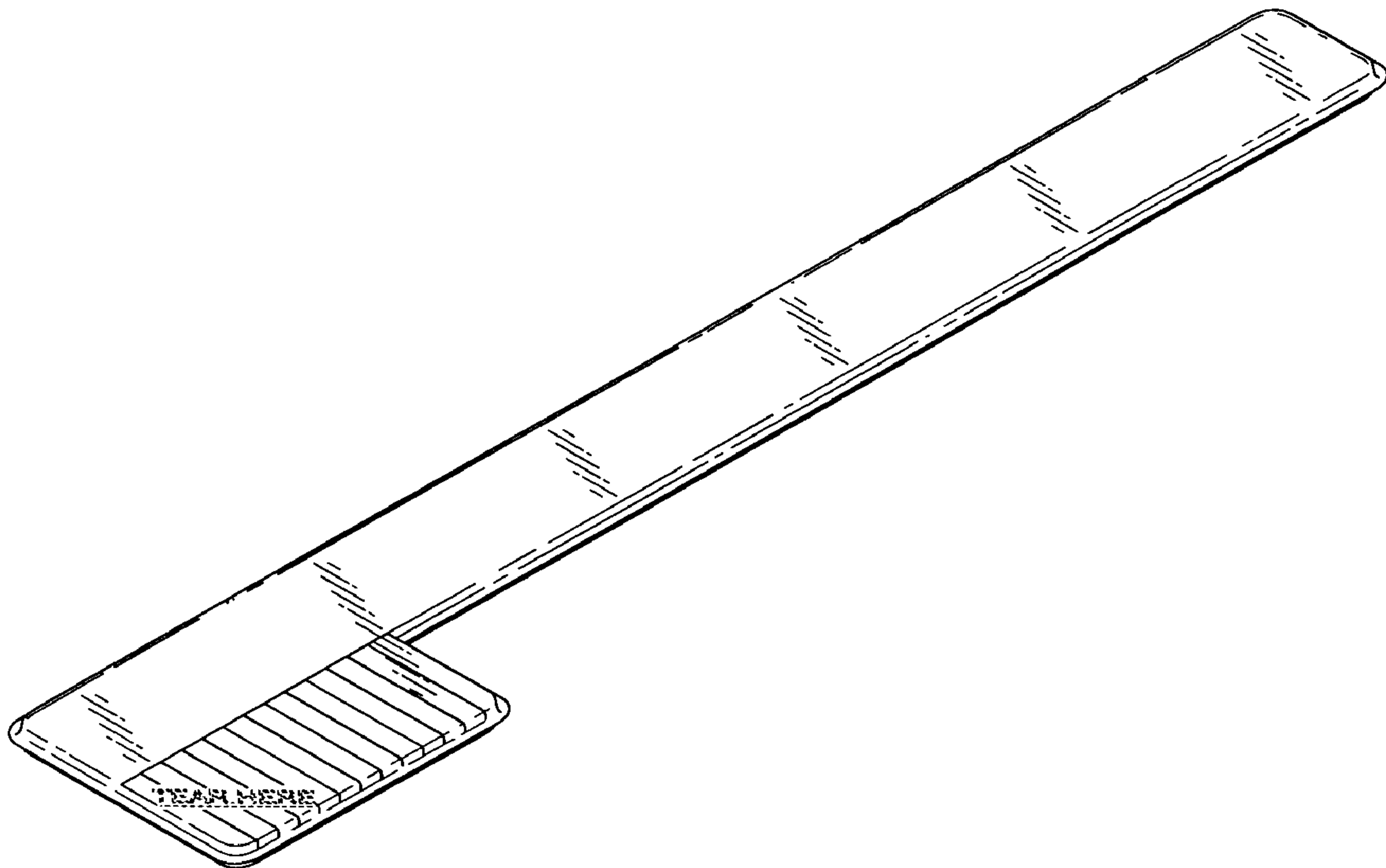
The broken line showing of the indicia “Tear Here” in FIG. 1 is for illustrative purposes only, and forms no part of the claimed design.

(56) **References Cited**

U.S. PATENT DOCUMENTS

3,070,102 A 12/1962 Mac Donald
3,952,867 A 4/1976 McCord
4,198,171 A 4/1980 Lampka
4,542,552 A * 9/1985 d’Argembeau D4/104
5,107,562 A * 4/1992 Dunn 206/229
5,494,252 A * 2/1996 Amit et al. 206/362.2

1 Claim, 2 Drawing Sheets



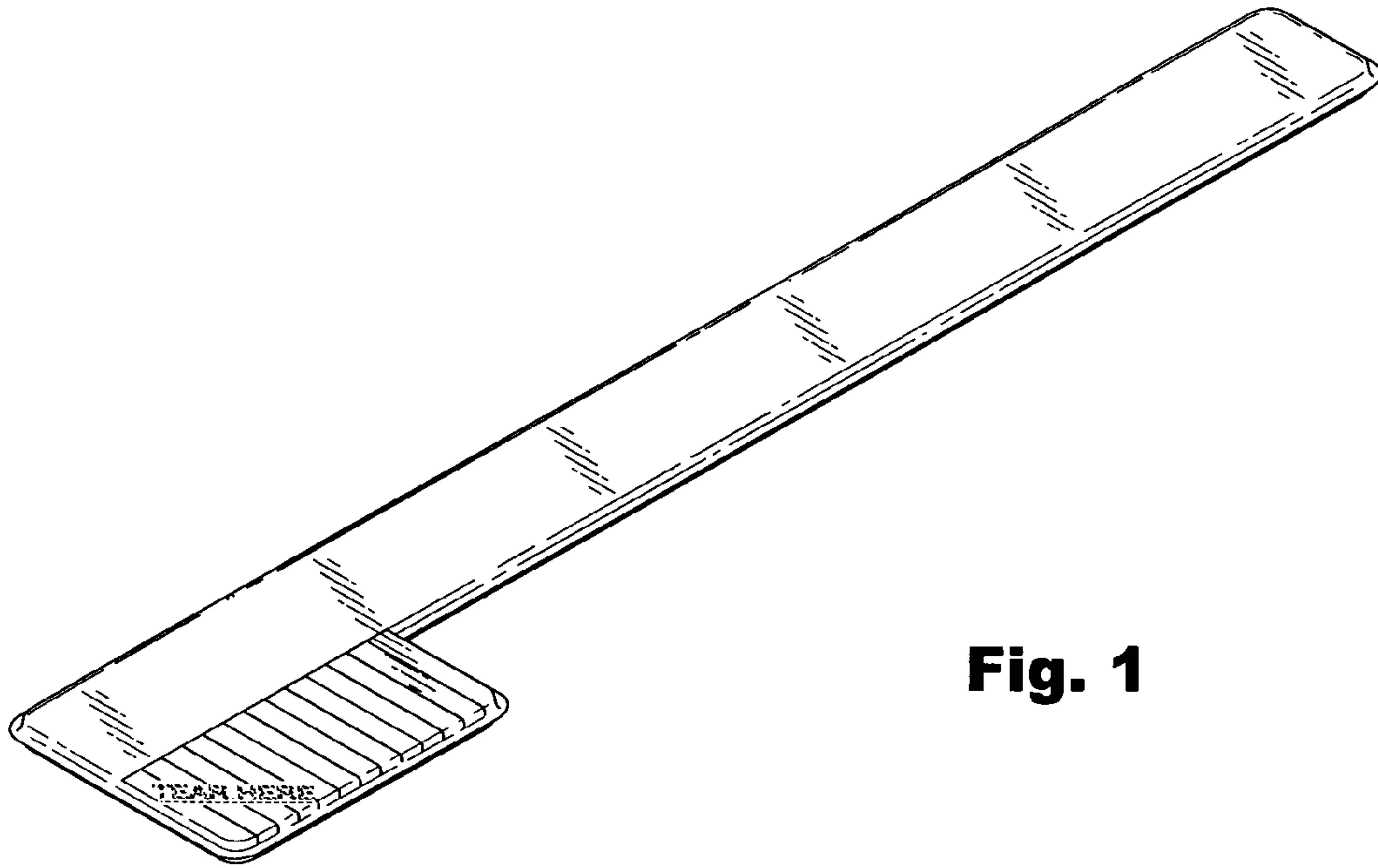


Fig. 1

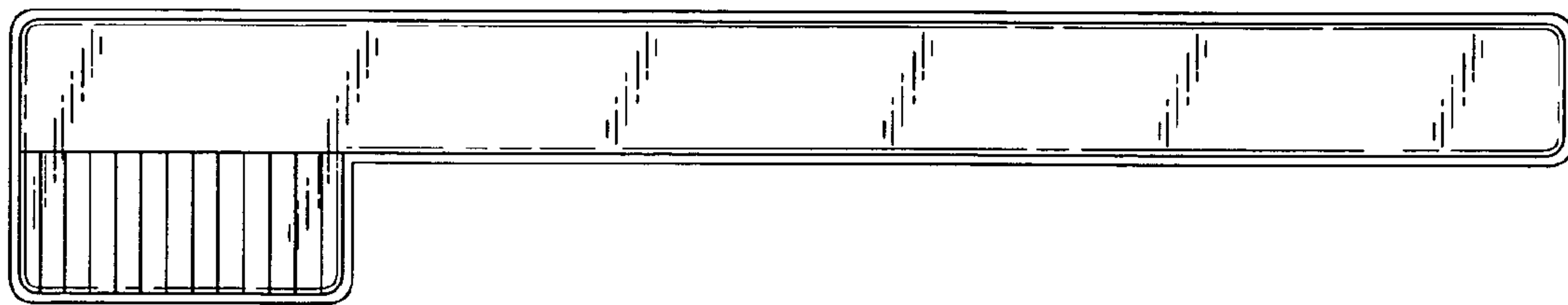


Fig. 2

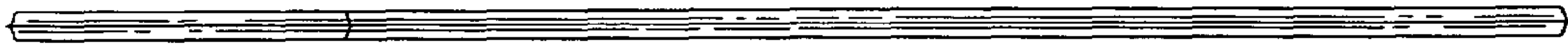


Fig. 3

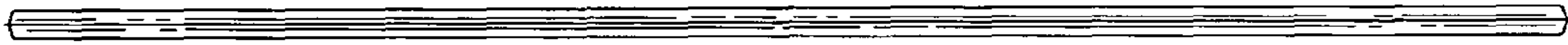


Fig. 4

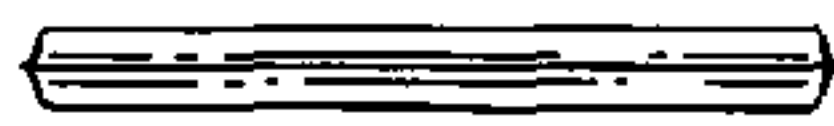


Fig. 5



Fig. 6