



US00D605523S

(12) **United States Design Patent**  
**Dibnah et al.**

(10) **Patent No.:** **US D605,523 S**  
(45) **Date of Patent:** **\*\* Dec. 8, 2009**

(54) **JAR**

D581,280 S \* 11/2008 Oates ..... D9/549

(75) Inventors: **Carl Dibnah**, Hull (GB); **Chris Padain**,  
Hull (GB); **Tom Walker**, Bristol (GB);  
**Craig Wightman**, Bristol (GB)

(73) Assignee: **Reckitt Benckiser (UK) Limited**,  
Slough, Berkshire (GB)

(\*\*) Term: **14 Years**

(21) Appl. No.: **29/307,532**

(22) Filed: **Apr. 25, 2008**

(30) **Foreign Application Priority Data**

Nov. 1, 2007 (EM) ..... 000818851-0002

(51) **LOC (9) Cl.** ..... **09-01**

(52) **U.S. Cl.** ..... **D9/549**

(58) **Field of Classification Search** ..... D9/434,  
D9/4.35, 447, 449, 516, 529, 537, 539, 540,  
D9/542, 543, 545, 549, 550, 574, 575; 215/382-384;  
220/660, 662, 669, 675  
See application file for complete search history.

(56) **References Cited**

**U.S. PATENT DOCUMENTS**

D155,930 S *	11/1949	Serra	.....	D9/556
D411,750 S *	6/1999	Forecast et al.	.....	D9/557
D412,440 S *	8/1999	Chuang	.....	D9/503
D435,449 S *	12/2000	Moretti	.....	D9/500
D446,728 S *	8/2001	Bakic	.....	D9/549
D474,978 S *	5/2003	Varlet	.....	D9/549
D483,671 S *	12/2003	Pinnavaia	.....	D9/500
D519,845 S *	5/2006	Ortiz	.....	D9/556
D520,370 S *	5/2006	Priestman	.....	D9/529

**OTHER PUBLICATIONS**

U.S. Appl. No. 11/547,580, filing date: Oct. 3, 2006, Title: Device and Method.

U. S. Appl. No. 11/578,211, Filing Date: Mar. 16, 2007, Title: Device and Method.

U.S. Appl. No. 11/547,579, Filing Date: Mar. 16, 2007, Title: Device and Method.

U.S. Appl. No. 29/307,540, Filing Date: Apr. 25, 2008, Title: Lid with Spatula.

U.S. Appl. No. 29/307,543, Filing Date: Apr. 25, 2008, Title: Spatula.

U.S. Appl. No. 29/308,486, Filing Date: Jun. 18, 2008, Title: Packaging of Cosmetic Products.

U.S. Appl. No. 29/308,485, Filing Date: Jun. 18, 2008, Title: Packaging of Cosmetic Products.

\* cited by examiner

*Primary Examiner*—Stella M Reid

*Assistant Examiner*—Keli L Hill

(74) *Attorney, Agent, or Firm*—TraskBritt

(57) **CLAIM**

The ornamental design for a jar, as shown and described.

**DESCRIPTION**

FIG. 1 is a perspective view showing a new design;

FIG. 2 is a front view of the new design;

FIG. 3 is a rear view of the new design;

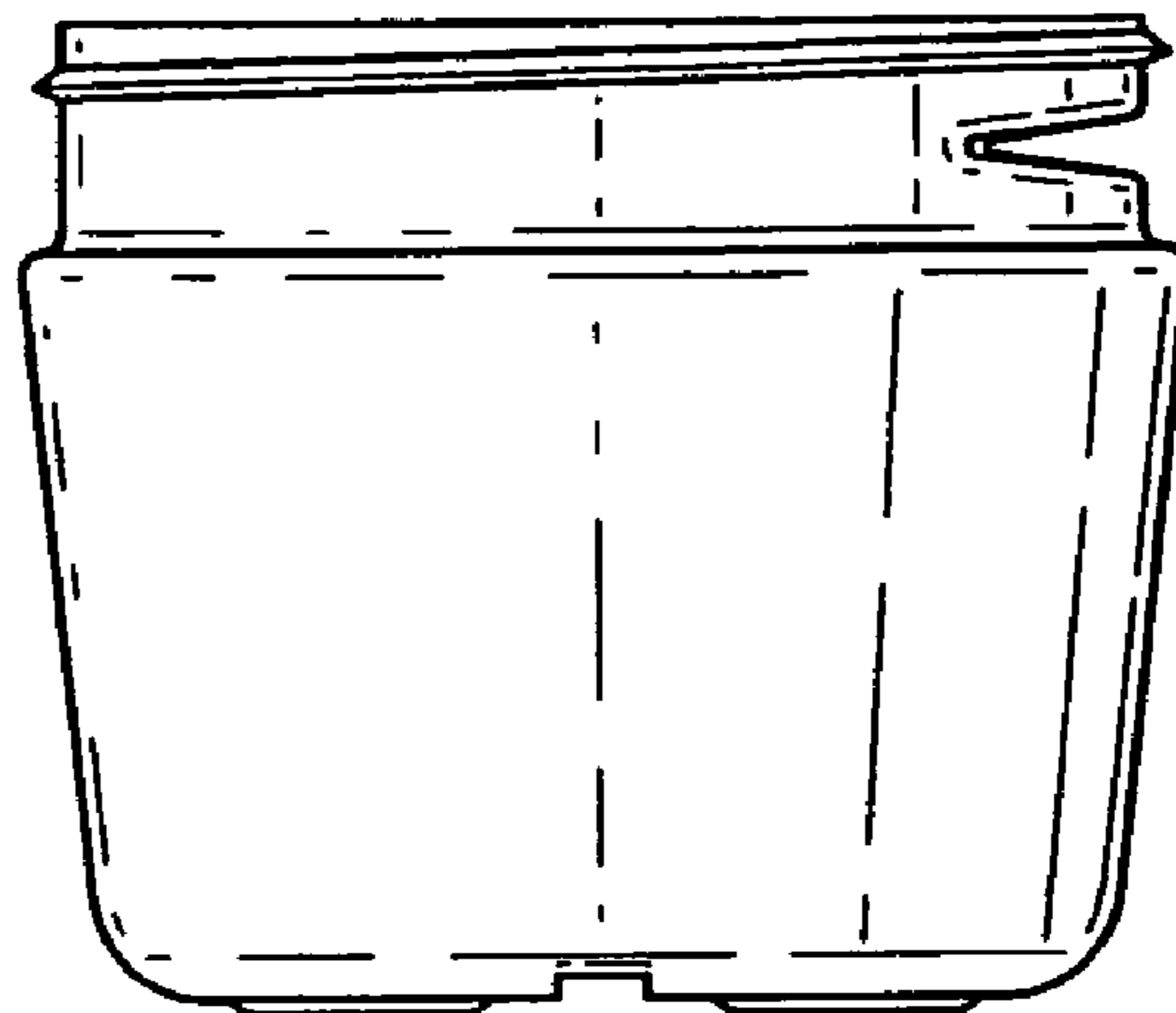
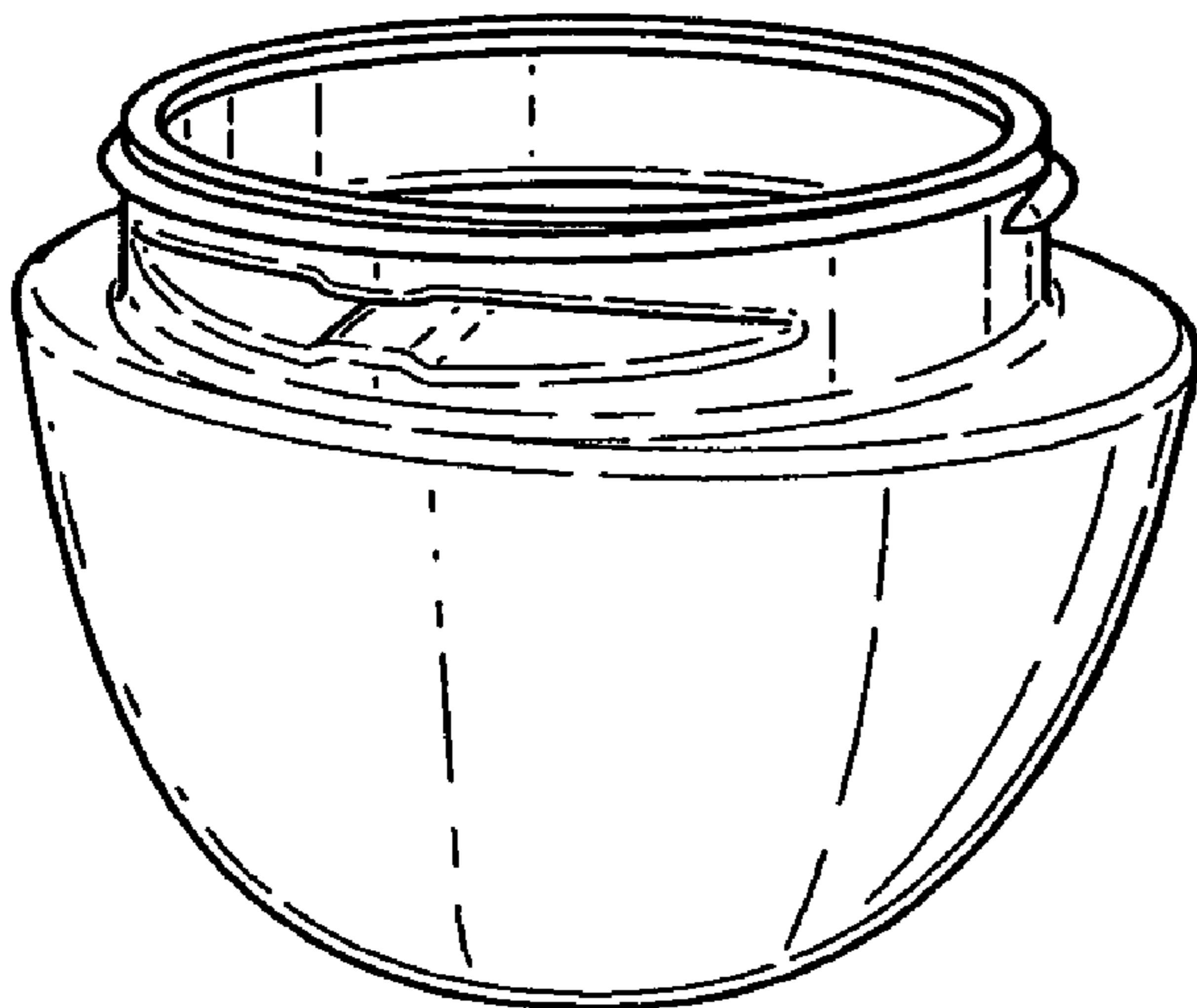
FIG. 4 is a right side view of the design;

FIG. 5 is a left side view of the design;

FIG. 6 is a top view of the new design; and,

FIG. 7 is a bottom view of the new design.

**1 Claim, 2 Drawing Sheets**



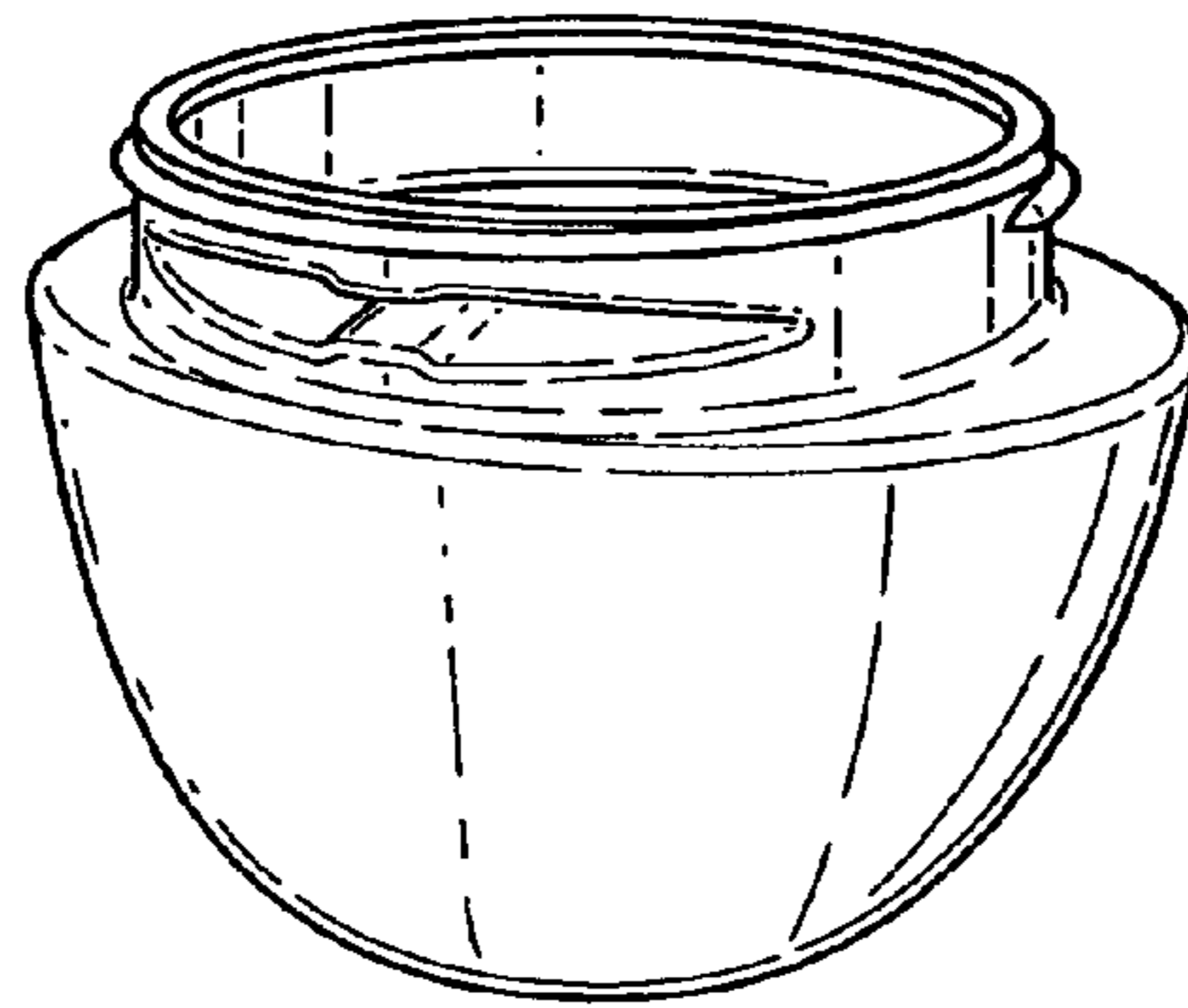


Fig. 1.

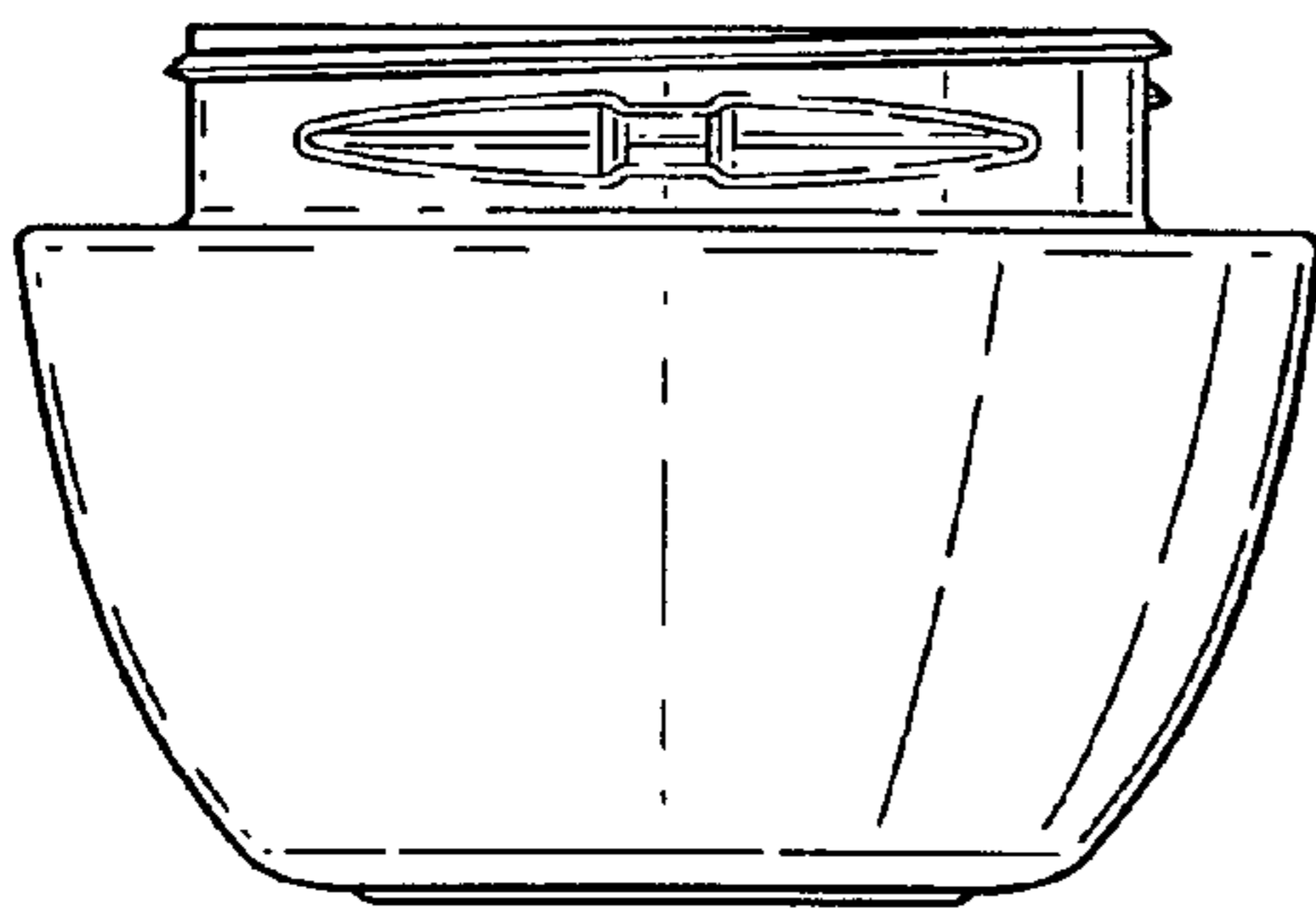


Fig. 2.

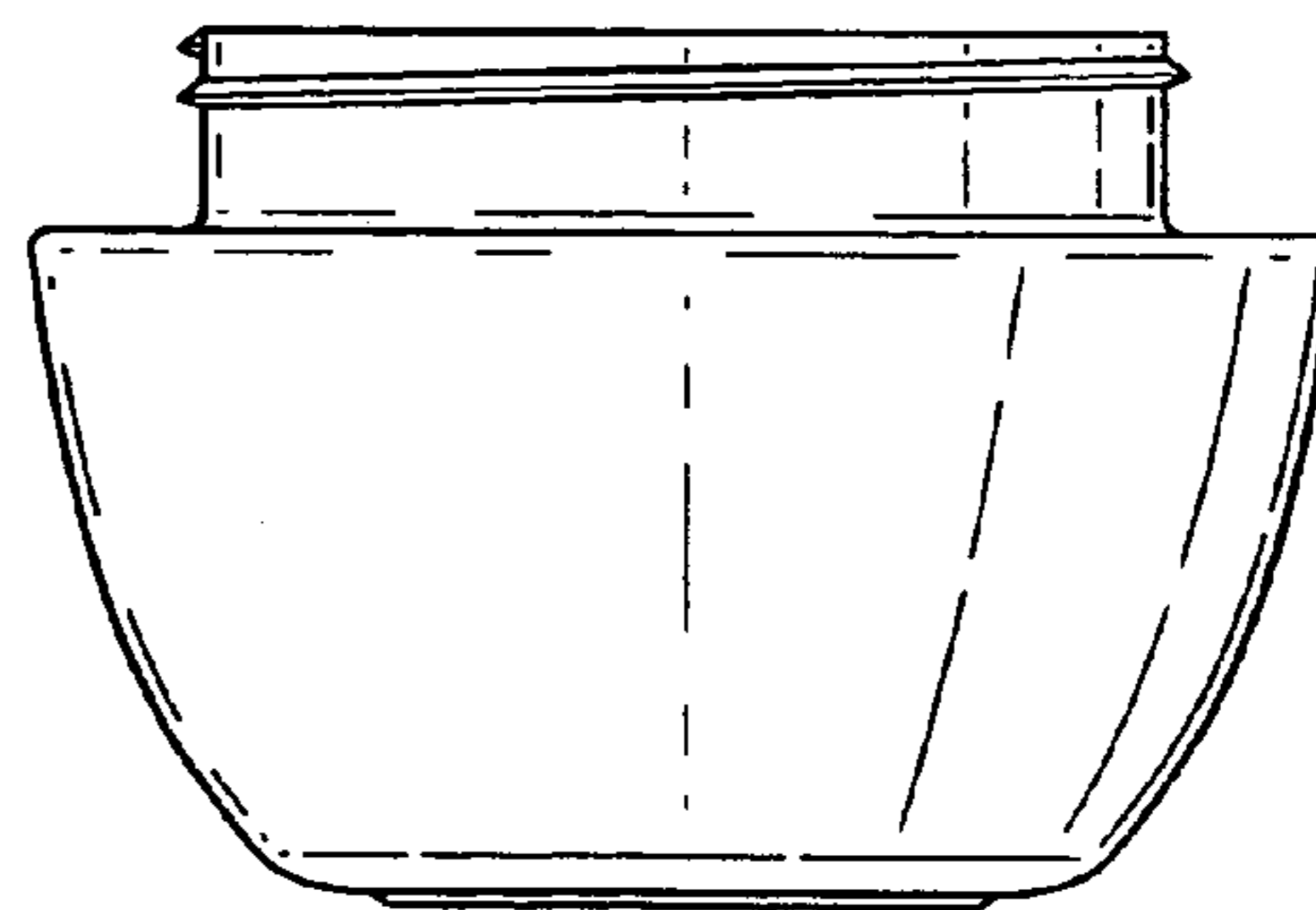


Fig. 3.

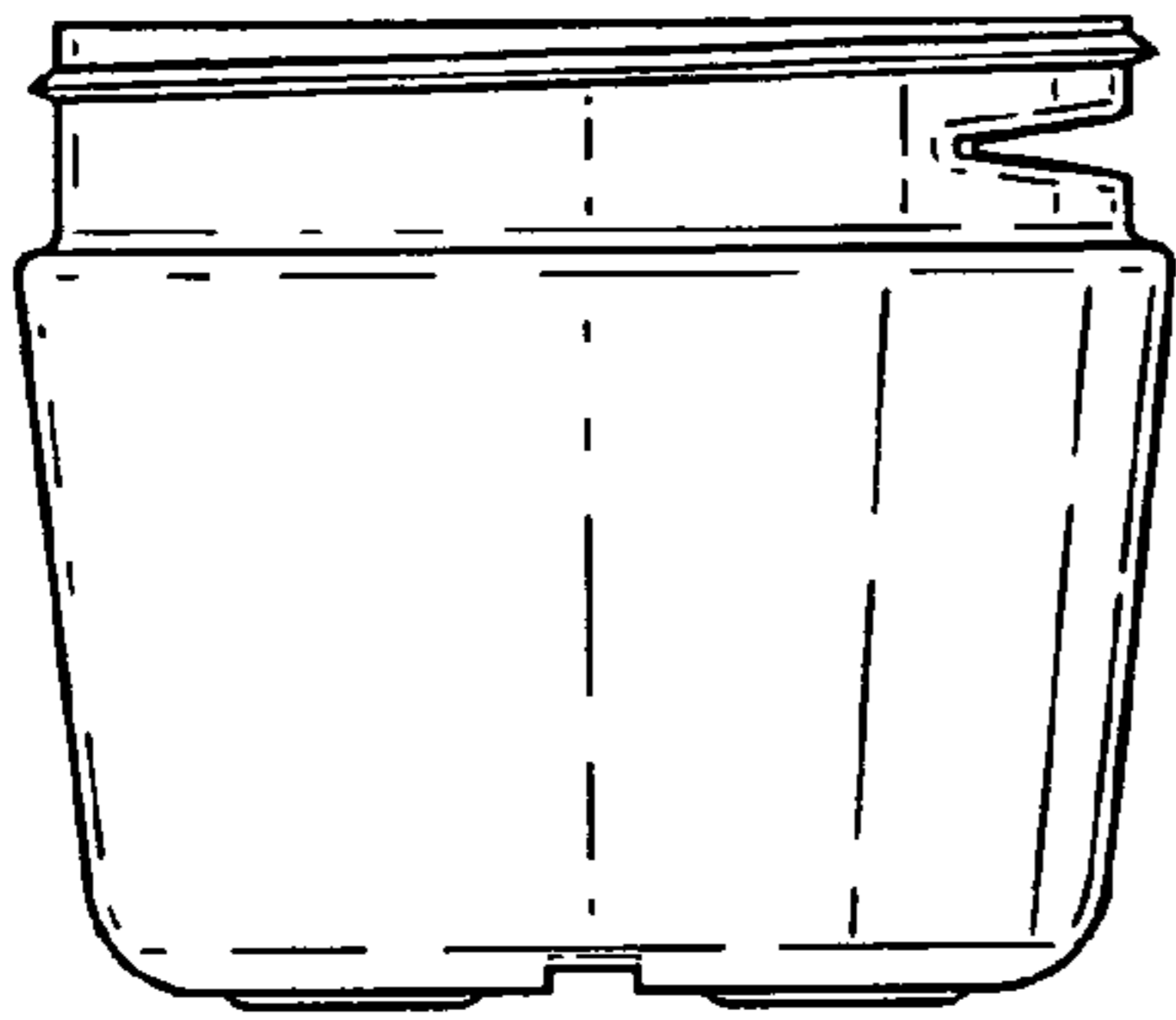


Fig.4.

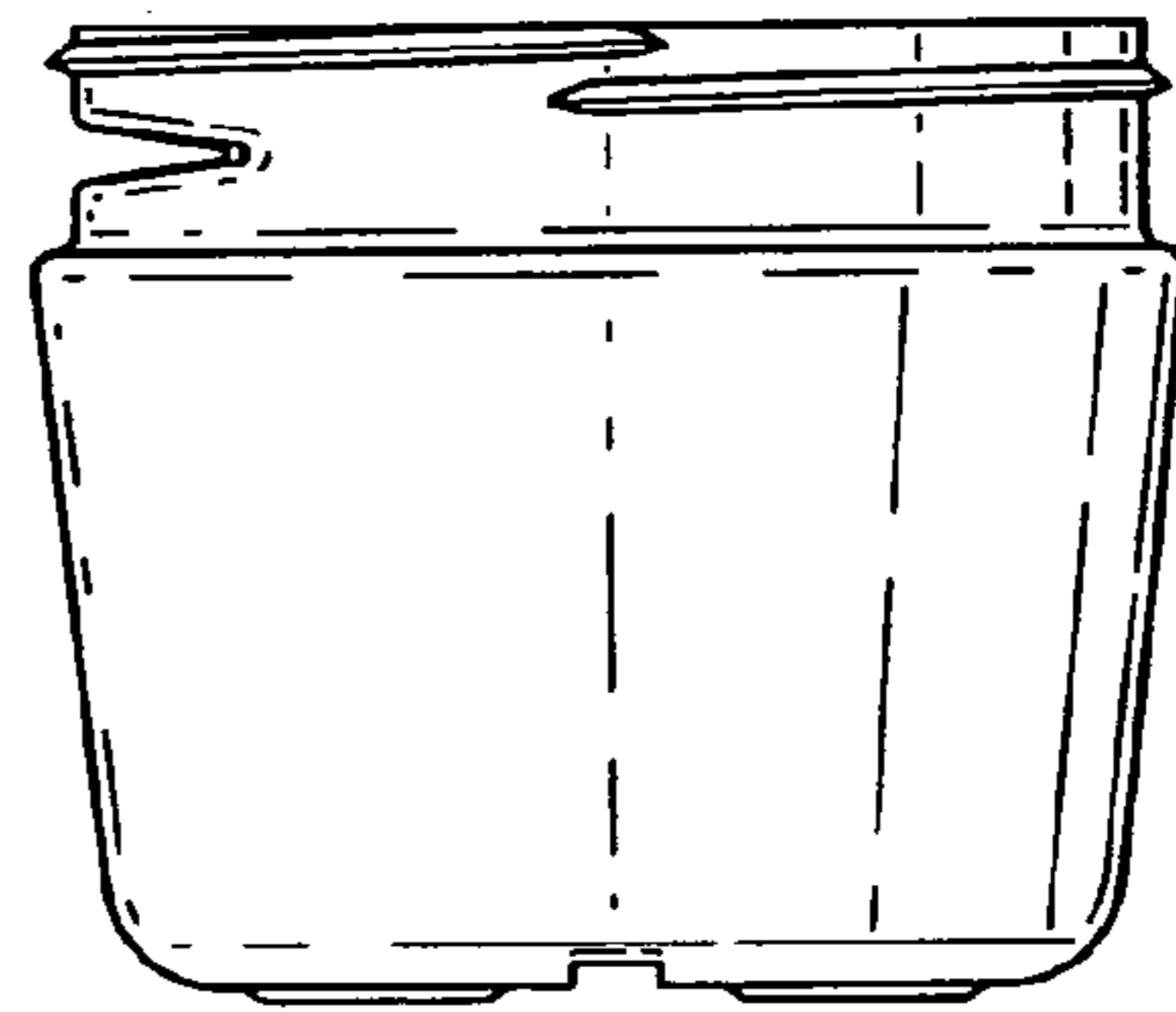


Fig.5.

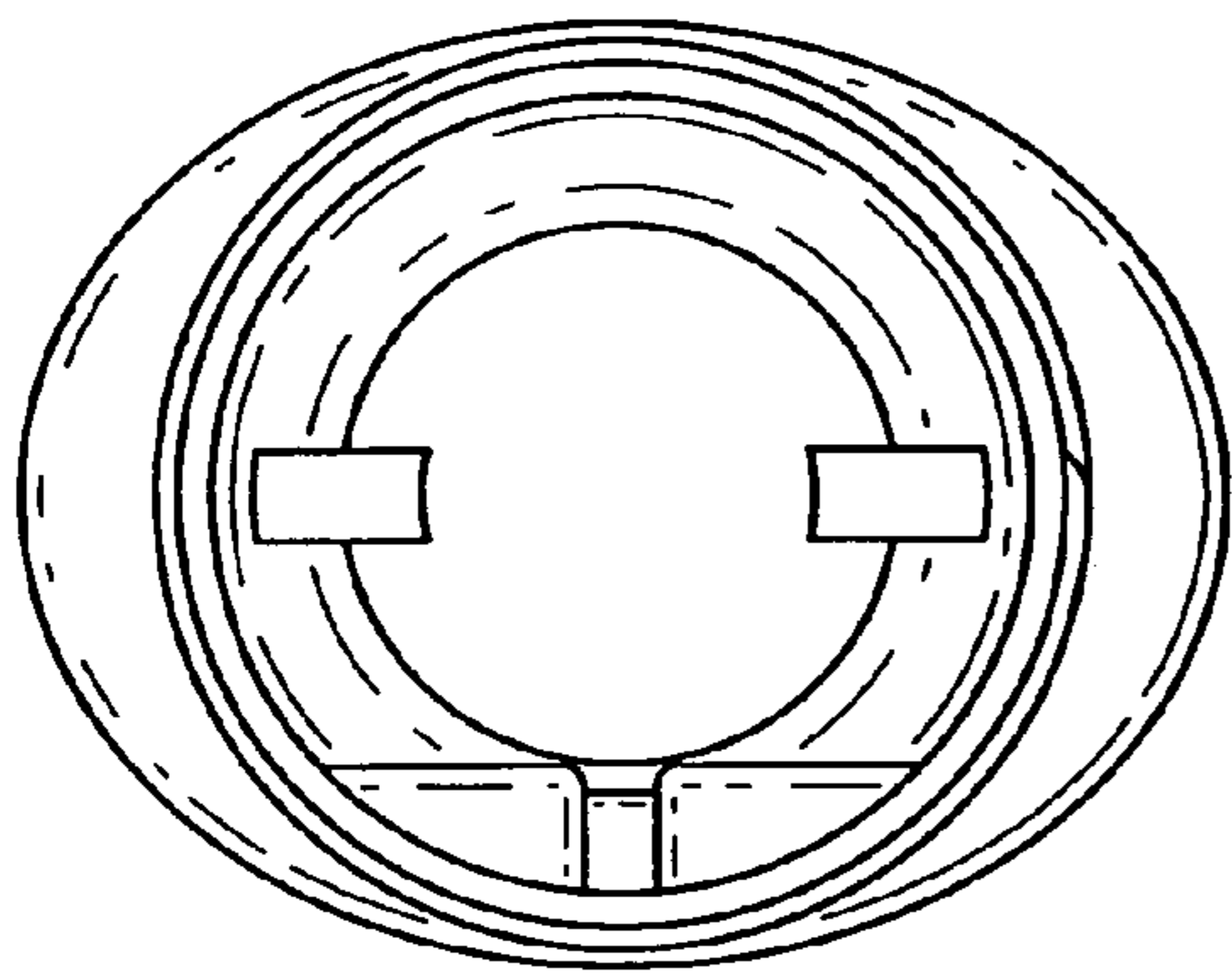


Fig.6.

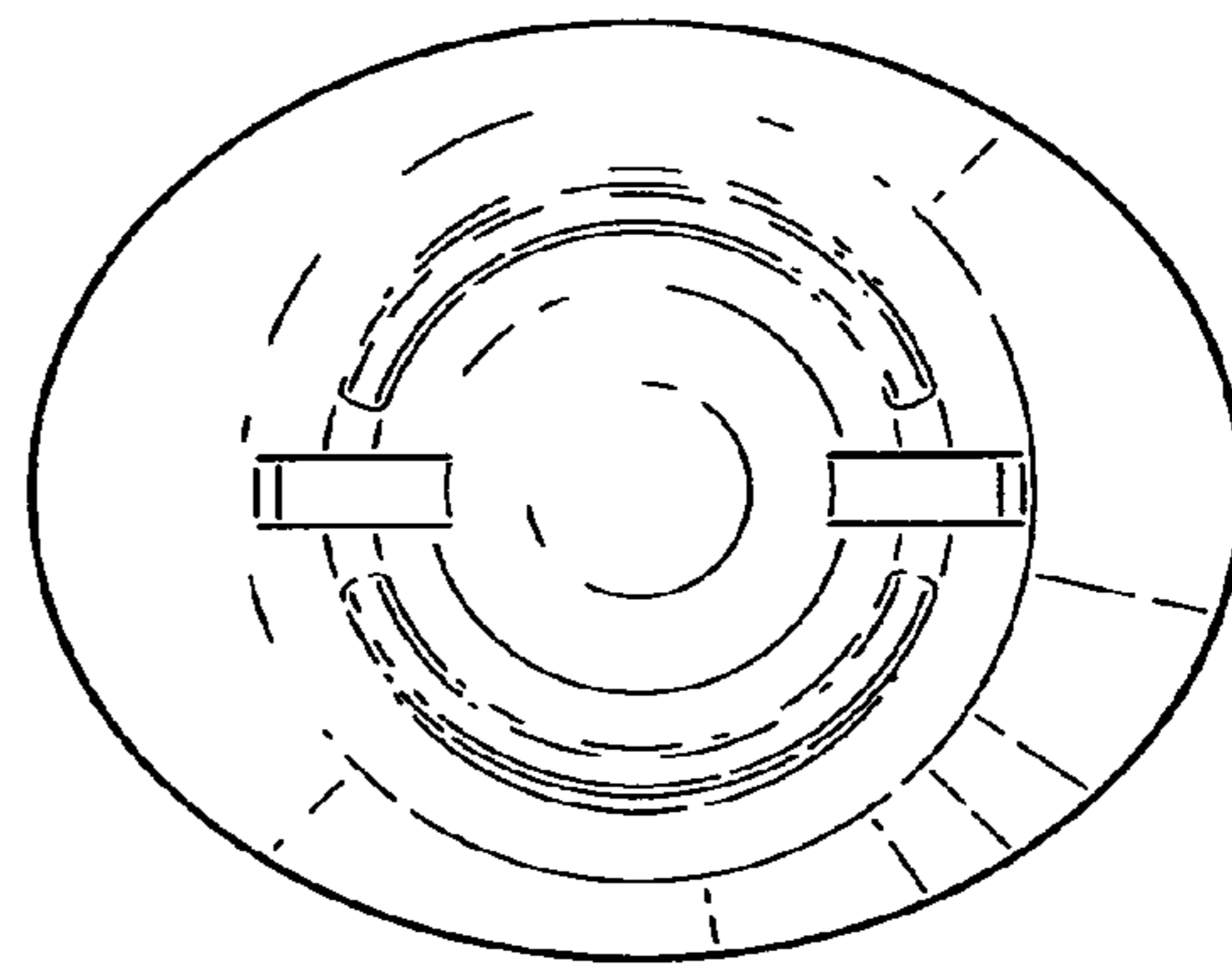


Fig.7.