



US00D605519S

(12) **United States Design Patent**  
**Caggiano**

(10) **Patent No.:** **US D605,519 S**  
(45) **Date of Patent:** **\*\* Dec. 8, 2009**

(54) **SPRAY BOTTLE**

(76) Inventor: **Jayd Caggiano**, 4215 Tacon St., Tampa, FL (US) 33629

(\*\*) Term: **14 Years**

(21) Appl. No.: **29/320,076**

(22) Filed: **Jun. 19, 2008**

(51) **LOC (9) Cl.** ..... **09-01**

(52) **U.S. Cl.** ..... **D9/516; D9/575**

(58) **Field of Classification Search** ..... D9/534, D9/573, 574, 682, 685, 686, 687, 692, 693, D9/694, 516, 517, 522, 523, 525, 526, 560, D9/572, 575; D24/117, 224; 215/381-385  
See application file for complete search history.

(56) **References Cited**

**U.S. PATENT DOCUMENTS**

D211,559 S *	7/1968	Pizzurro	.....	D9/685
D246,156 S *	10/1977	Muscatiello et al.	.....	D9/525
4,351,454 A	9/1982	Maynard		
D275,650 S *	9/1984	Guiguizian	.....	D9/741
D282,526 S *	2/1986	Wilson et al.	.....	D9/523
D289,976 S *	5/1987	Humphries	.....	D9/525
D290,225 S	6/1987	Carlson		
4,705,191 A	11/1987	Itzel et al.		
4,708,253 A	11/1987	Mednis		
D296,668 S *	7/1988	Stavish	.....	D9/520
D302,521 S *	8/1989	Grinde	.....	D9/524
D302,658 S *	8/1989	Grinde	.....	D9/524
4,901,878 A *	2/1990	Humphries	.....	222/530
D307,547 S *	5/1990	Humphries	.....	D9/525
D320,430 S *	10/1991	Renfrew	.....	D23/212
D321,320 S *	11/1991	Halm	.....	D9/526
5,090,214 A	2/1992	LoGioco		
D332,544 S *	1/1993	Steiner et al.	.....	D6/545
D358,660 S *	5/1995	Swift	.....	D24/224
D363,020 S	10/1995	Mason et al.		
D376,208 S *	12/1996	Rasmussen et al.	.....	D24/224
D380,148 S *	6/1997	Hauf et al.	.....	D9/528
D422,920 S	4/2000	Tapp et al.		

D424,947 S	5/2000	Mangold		
6,206,243 B1	3/2001	Schneider et al.		
6,367,665 B1	4/2002	Barriac et al.		
D457,064 S *	5/2002	Leray et al.	.....	D9/524
D459,651 S *	7/2002	Gagnon	.....	D9/687
D466,413 S	12/2002	Justice		
D471,584 S *	3/2003	Sugata et al.	.....	D18/43
D485,858 S *	1/2004	Sugata et al.	.....	D18/43
6,820,769 B2	11/2004	Foster et al.		
6,834,815 B2	12/2004	Appleby		
D503,623 S	4/2005	Engelen et al.		
D528,425 S	9/2006	Dorin et al.		
D573,028 S *	7/2008	Brieussel et al.	.....	D9/527
D577,589 S *	9/2008	Brieussel et al.	.....	D9/527
2004/0056052 A1	3/2004	Verzino		
2005/0167527 A1	8/2005	Ilood et al.		
2006/0016910 A1	1/2006	Engelen et al.		

\* cited by examiner

*Primary Examiner*—Stella M Reid

*Assistant Examiner*—Elizabeth J Oswecki

(74) *Attorney, Agent, or Firm*—Maxey Law Offices, PLLC; Brittany Maxey; Stephen Lewellyn

(57) **CLAIM**

The ornamental design for a spray bottle, as shown and described.

**DESCRIPTION**

FIG. 1 is a front elevation view of a spray bottle showing my new design;

FIG. 2 is a back elevation view thereof;

FIG. 3 is a first side elevation view thereof;

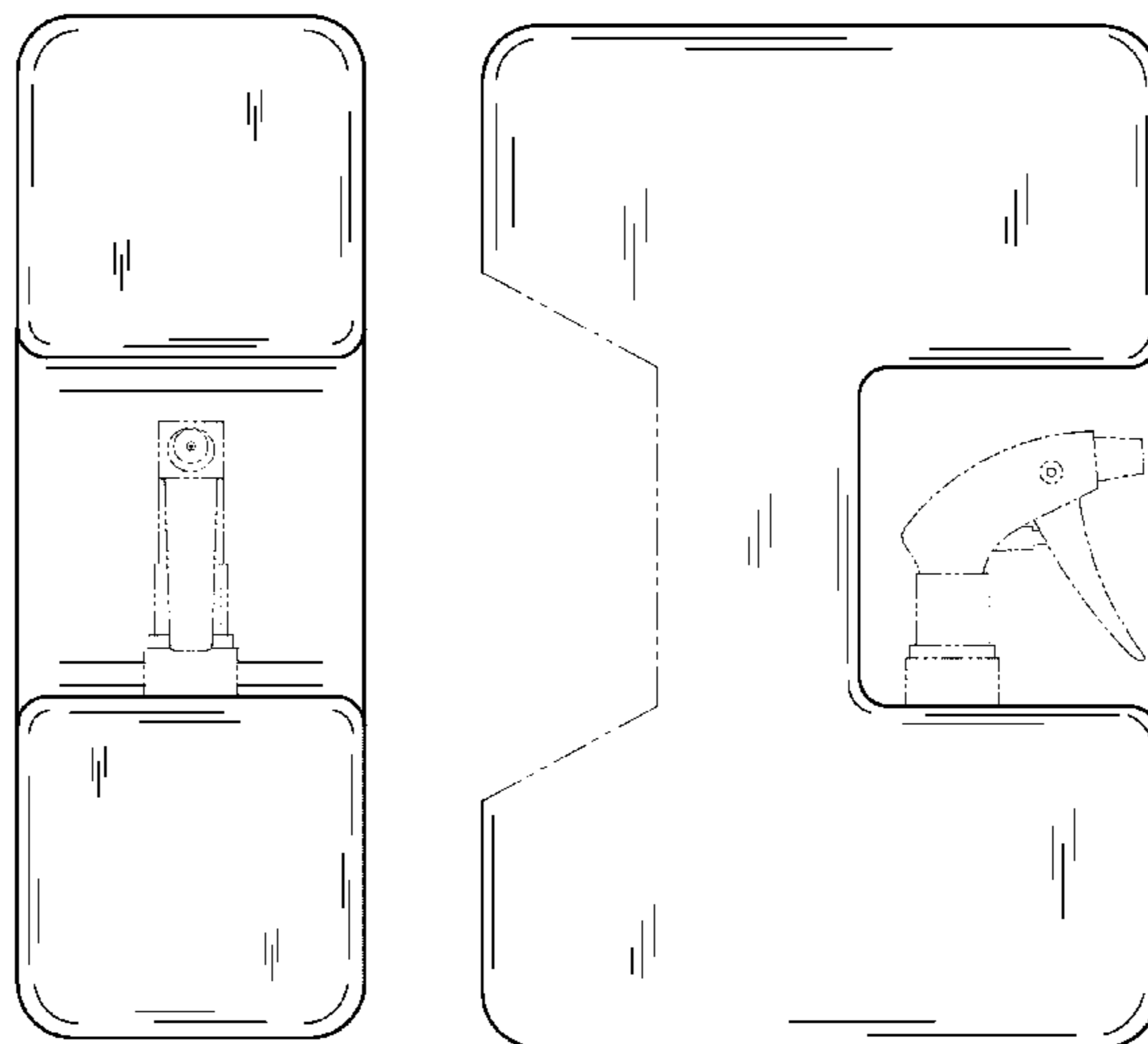
FIG. 4 is a second side elevation view thereof;

FIG. 5 is a top plan view thereof; and,

FIG. 6 is a bottom plan view thereof.

The broken line showing of a spray nozzle, round top cap, and the back portion of the bottle is included for the purpose of illustrating only and forms no part of the claimed design.

**1 Claim, 5 Drawing Sheets**



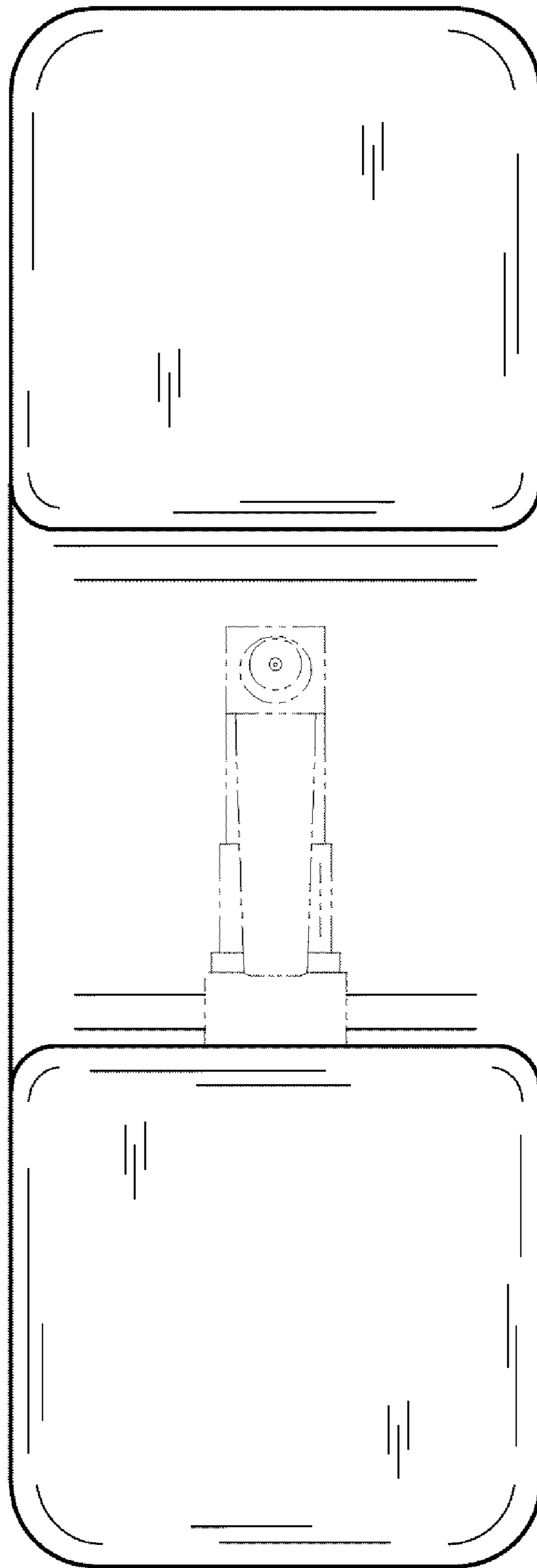


FIG. 1

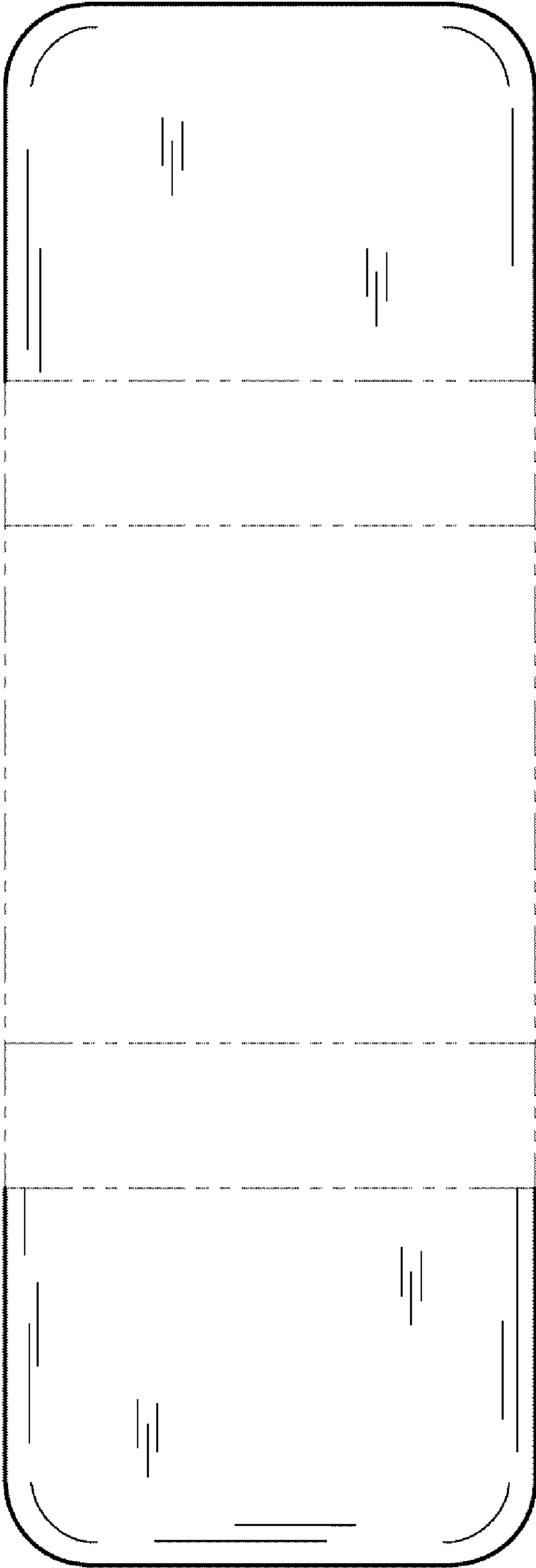


FIG. 2

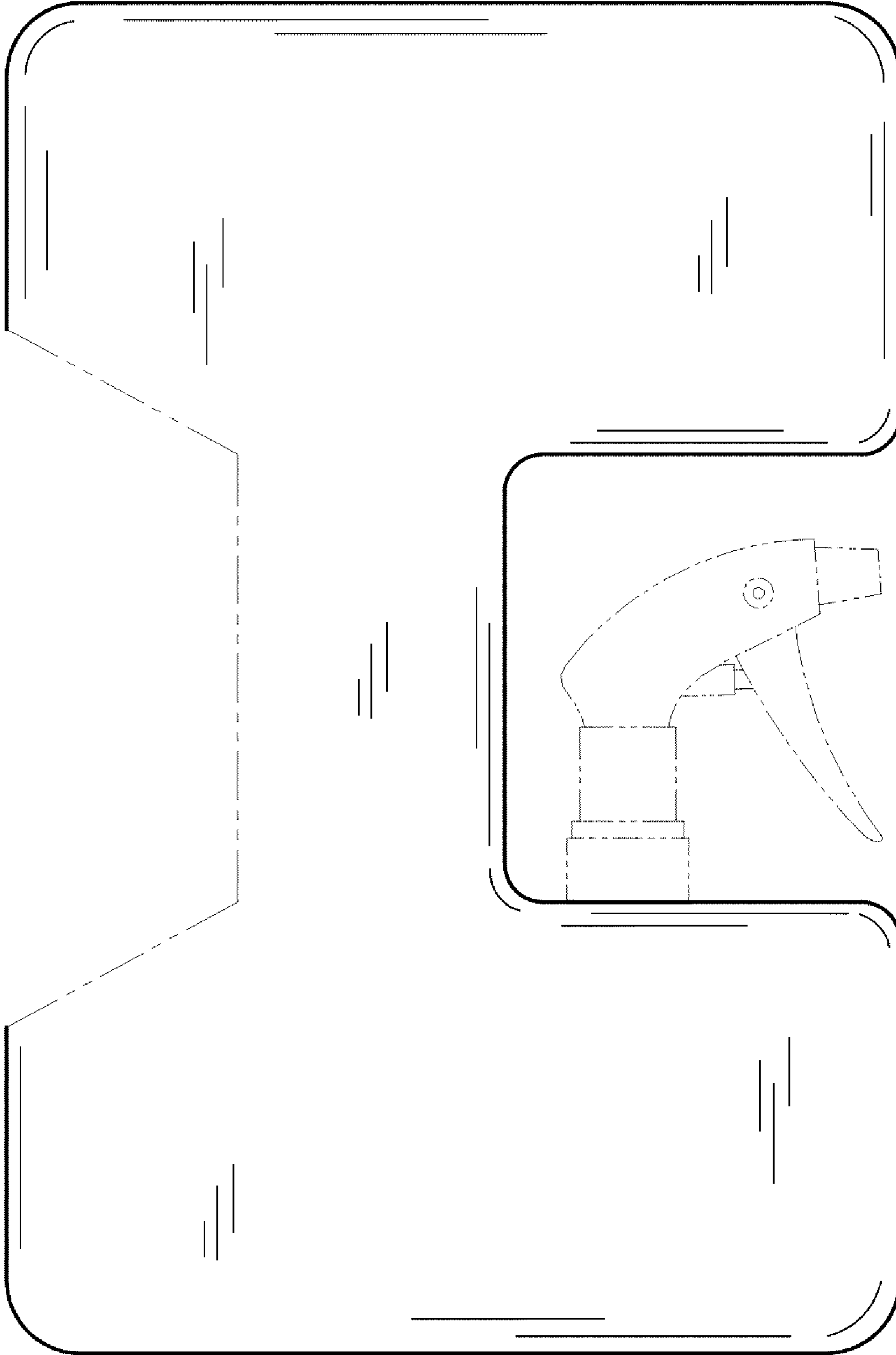


FIG. 3

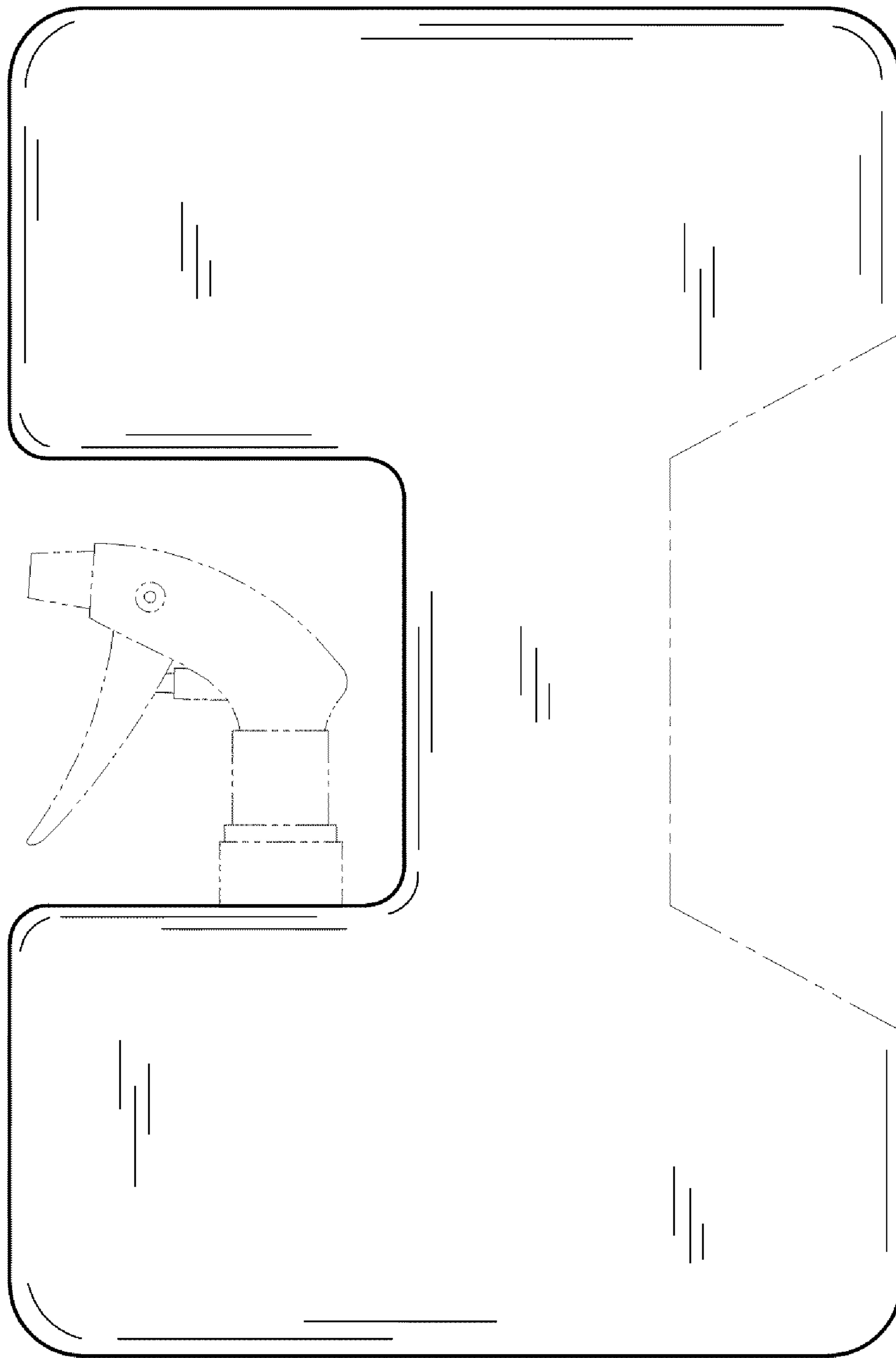


FIG. 4

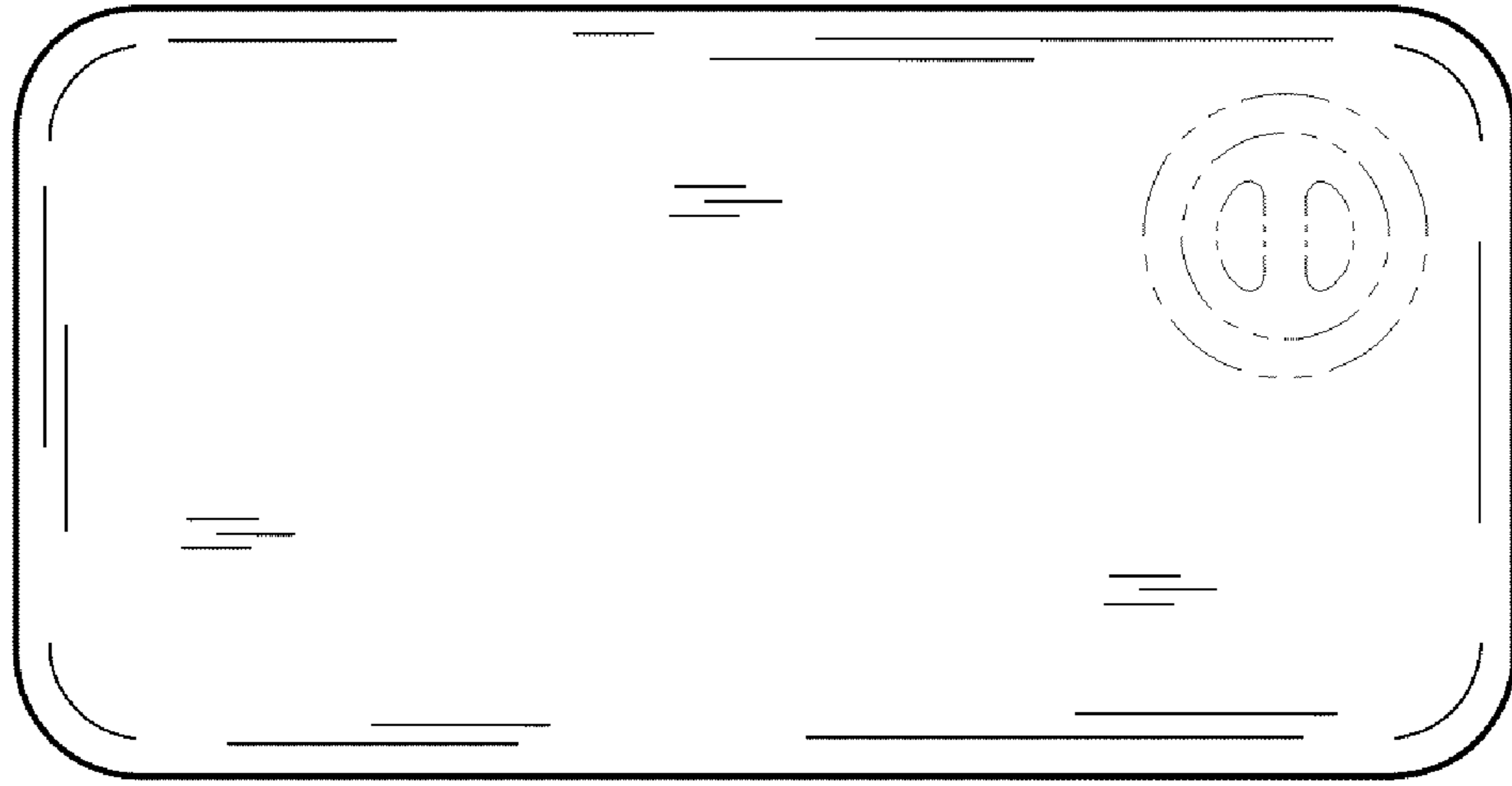


FIG. 5

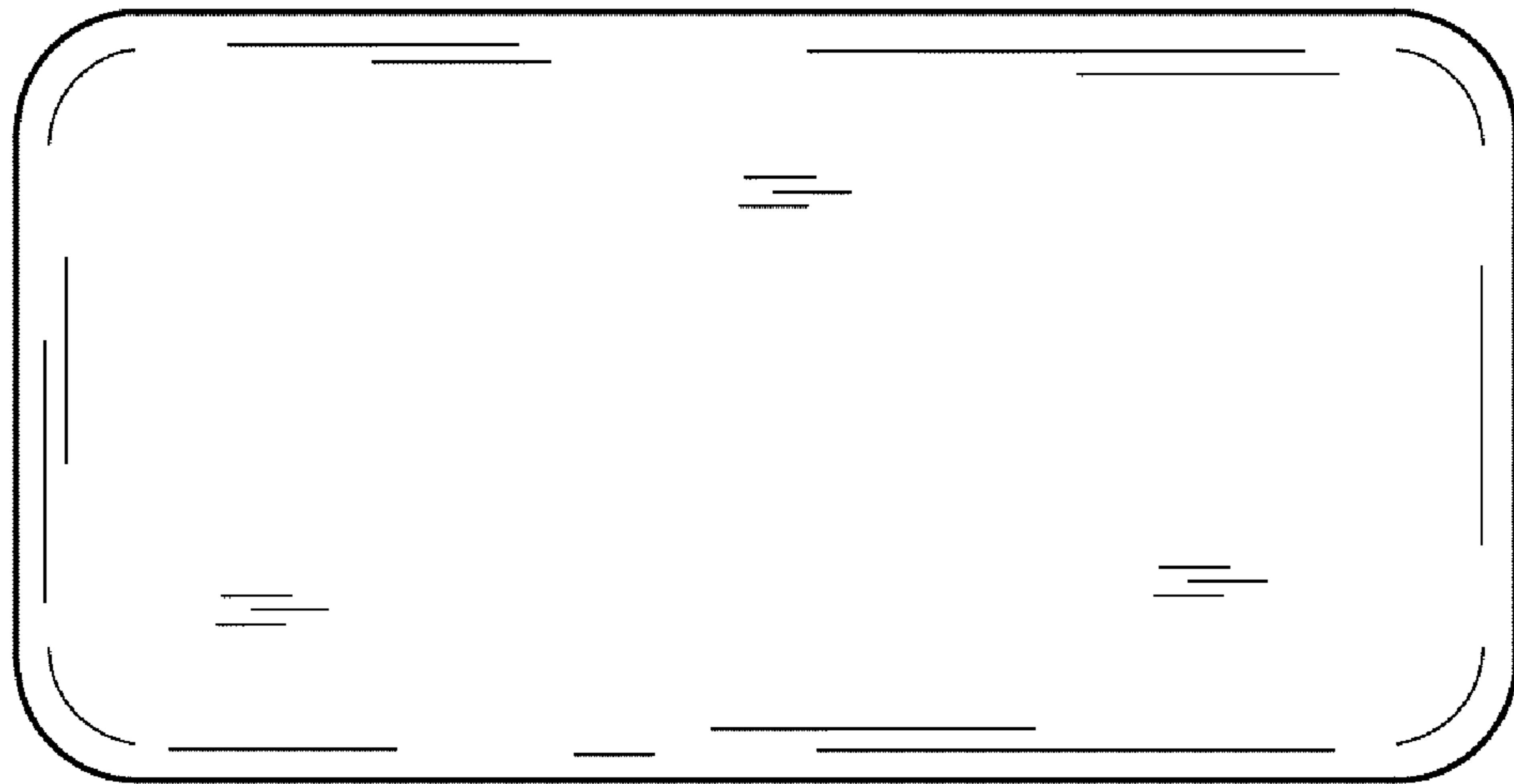


FIG. 6