



US00D605516S

(12) **United States Design Patent**
Yang

(10) **Patent No.:** **US D605,516 S**
(45) **Date of Patent:** **** Dec. 8, 2009**

(54) **PACKAGE FOR A LOCK PRODUCT**

D485,172 S * 1/2004 Defino, Jr. D9/415

(75) Inventor: **Suh-You Yang**, Chiayi (TW)

* cited by examiner

(73) Assignee: **Tong Lung Metal Industry Co., Ltd.**,
Chiayi (TW)

Primary Examiner—Susan Bennett Hattan
(74) *Attorney, Agent, or Firm*—Chun-Ming Shih

(**) Term: **14 Years**

(57) **CLAIM**

(21) Appl. No.: **29/306,585**

The ornamental design for package for a lock product, as shown and described.

(22) Filed: **Apr. 11, 2008**

DESCRIPTION

(30) **Foreign Application Priority Data**

Jan. 4, 2008 (TW) 97300086

(51) **LOC (9) Cl.** **09-07**

(52) **U.S. Cl.** **D9/455**; D9/424; D9/415

(58) **Field of Classification Search** D9/717,
D9/709, 704, 670, 660, 658, 652, 646, 632,
D9/605, 604, 601, 457, 454, 453, 451, 441,
D9/439, 436, 434, 424, 415; D5/61, 60,
D5/58; D3/303, 276; D20/28, 42; D14/492,
D14/489; D11/221; 53/133.4; 383/64, 61.2,
383/5; 206/470, 469, 468, 462; 220/212;
222/78

See application file for complete search history.

FIG. 1 is a perspective view of package for a lock product showing my new design;

FIG. 2 is a front elevational view thereof;

FIG. 3 is a rear elevational view thereof;

FIG. 4 is a left side elevational view thereof;

FIG. 5 is a right side elevational view thereof;

FIG. 6 is a top plan view thereof;

FIG. 7 is a bottom plan view thereof;

FIG. 8 is a perspective view of the second embodiment of package for a lock product;

FIG. 9 is a front elevational view thereof;

FIG. 10 is a rear elevational view thereof;

FIG. 11 is a left side elevational view thereof;

FIG. 12 is a right side elevational view thereof;

FIG. 13 is a top plan view thereof; and,

FIG. 14 is a bottom plan view thereof.

The dashed lines in FIGS. 1–14 depict environment only and form no part of the claimed design.

(56) **References Cited**

U.S. PATENT DOCUMENTS

D278,974 S * 5/1985 Ray D9/704
4,739,883 A * 4/1988 Mohs et al. 206/470
D361,935 S * 9/1995 Johnson D9/434
5,542,634 A * 8/1996 Pomerantz 248/214
D436,857 S * 1/2001 Griffin et al. D9/415
6,276,529 B1 * 8/2001 Feehan, Jr. 206/469
D447,946 S * 9/2001 Tsuruishi et al. D9/434

1 Claim, 8 Drawing Sheets





FIG. 1

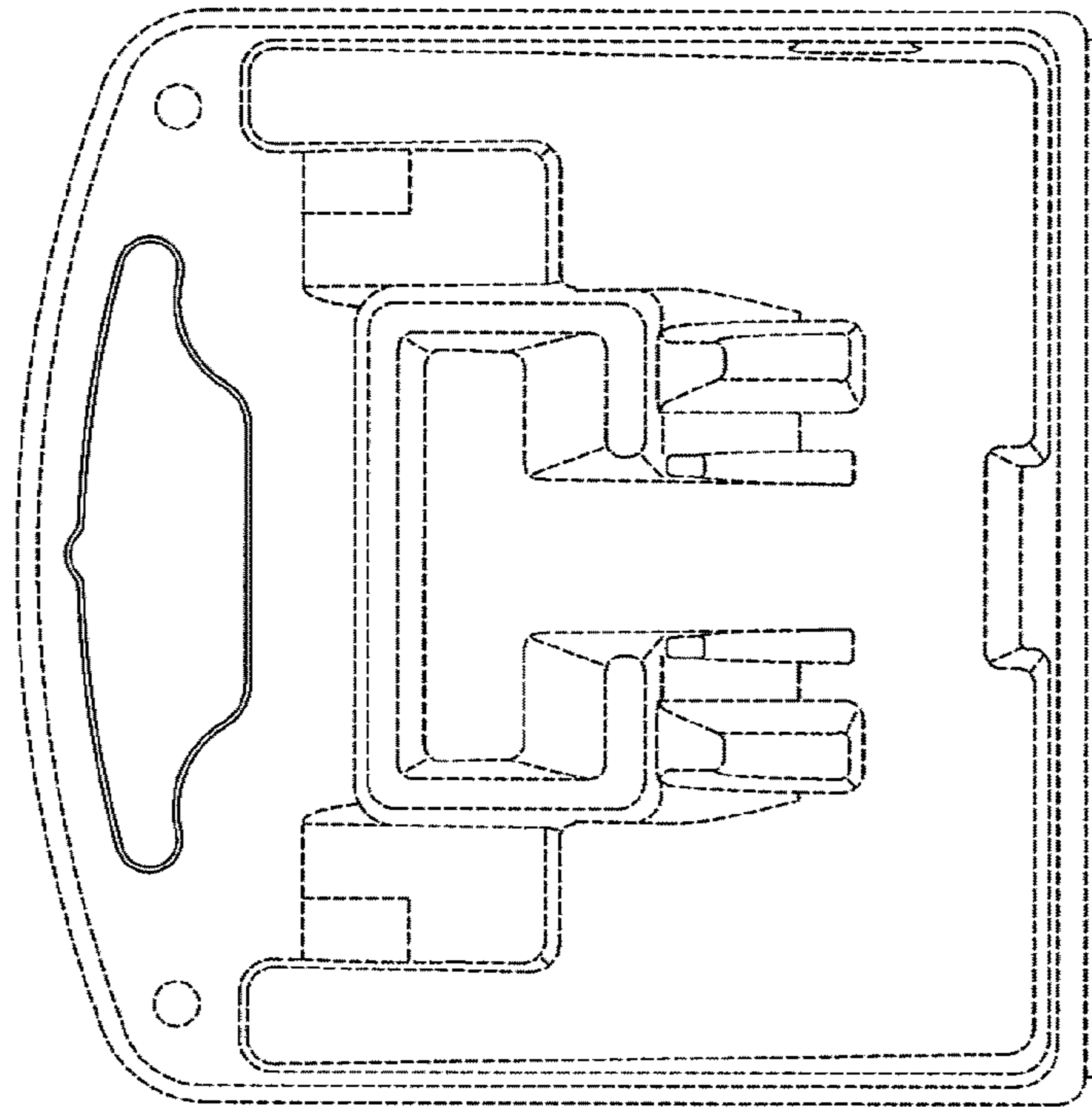


FIG. 3

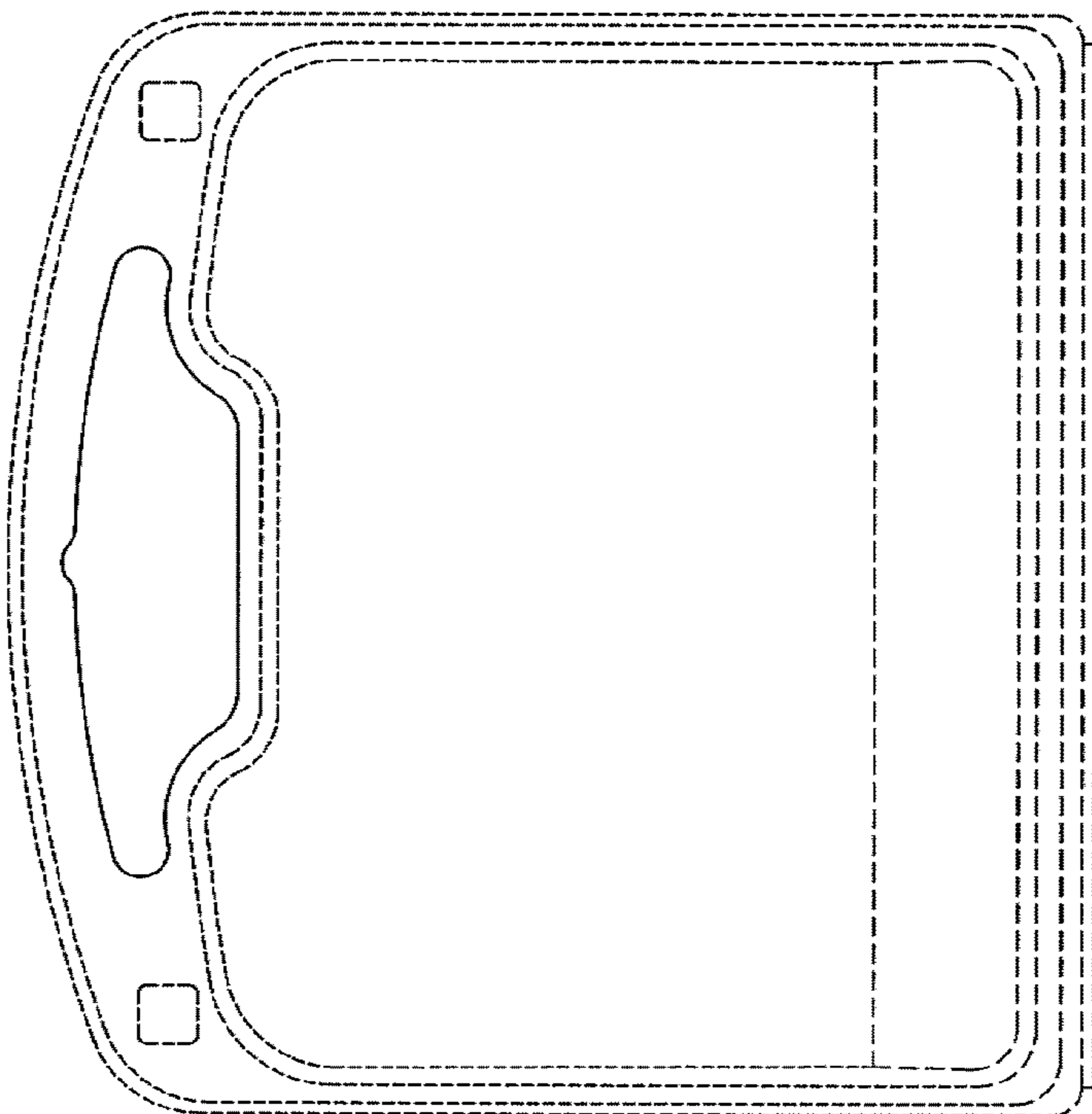


FIG. 2

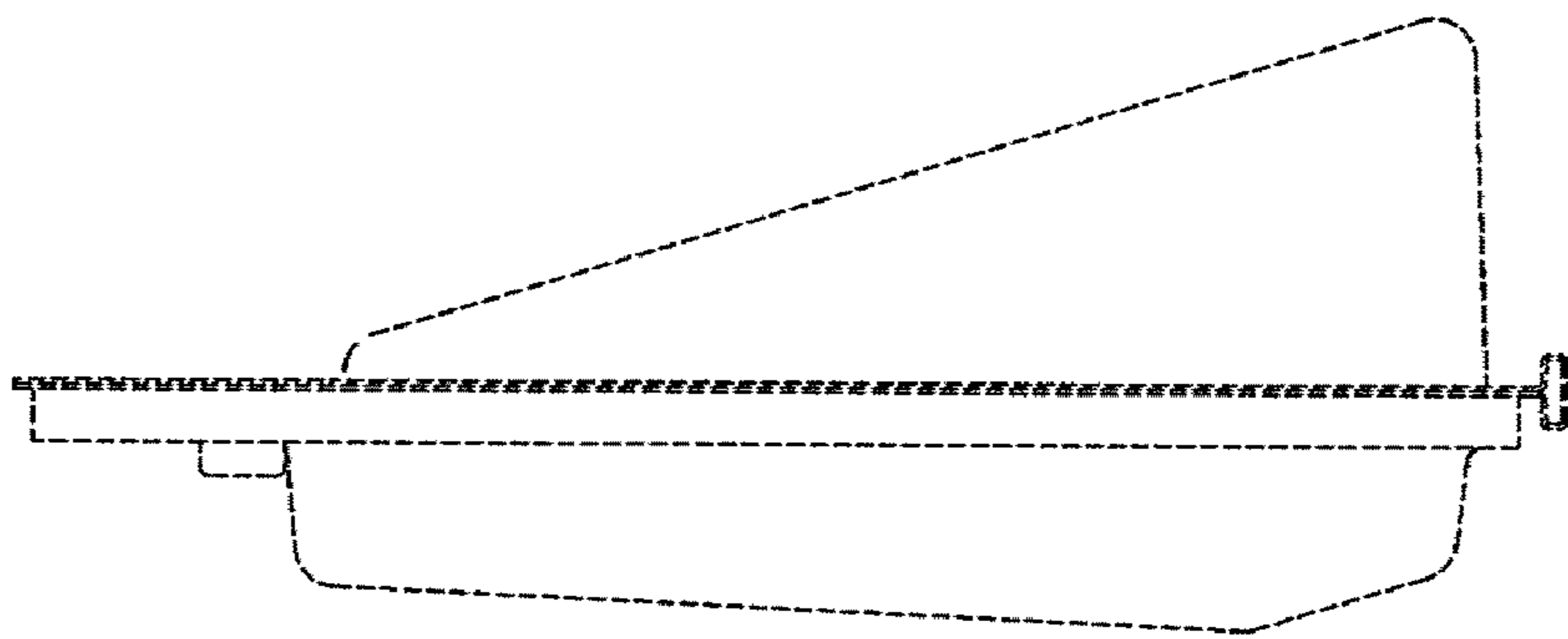


FIG. 4



FIG. 5

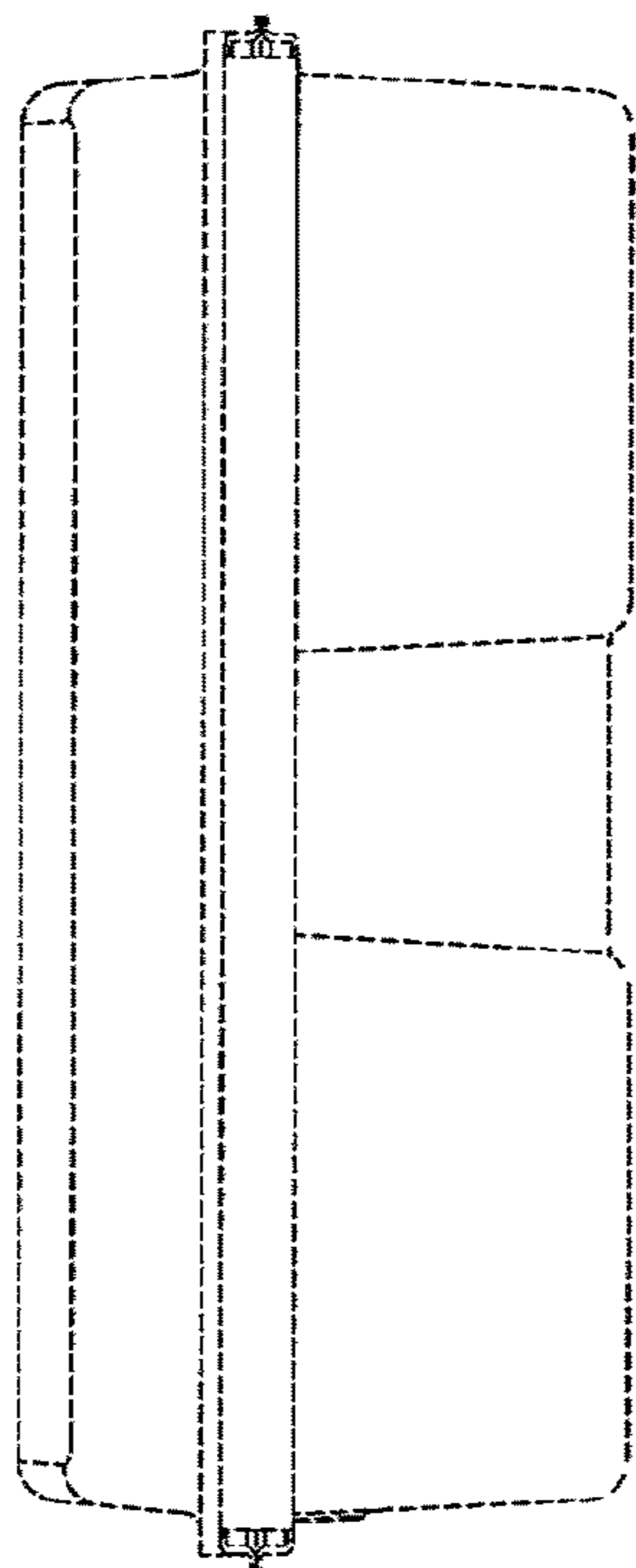


FIG. 7

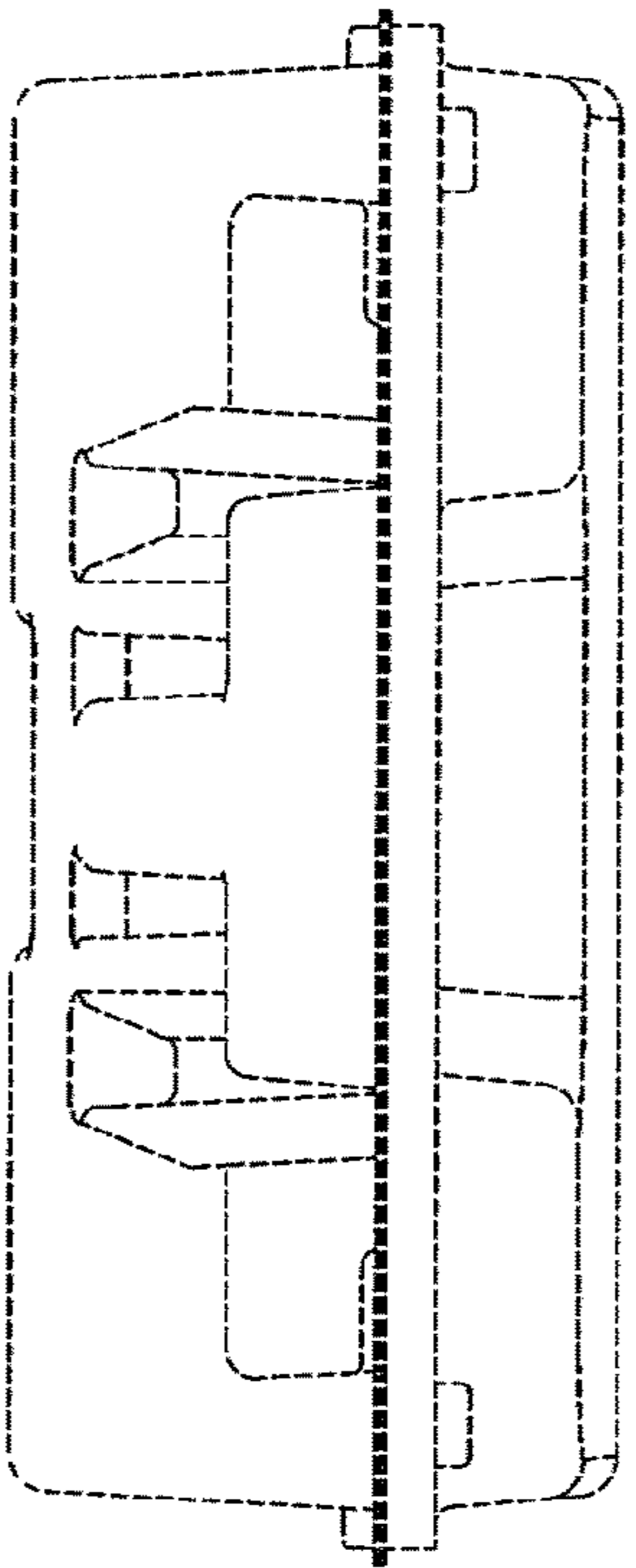


FIG. 6

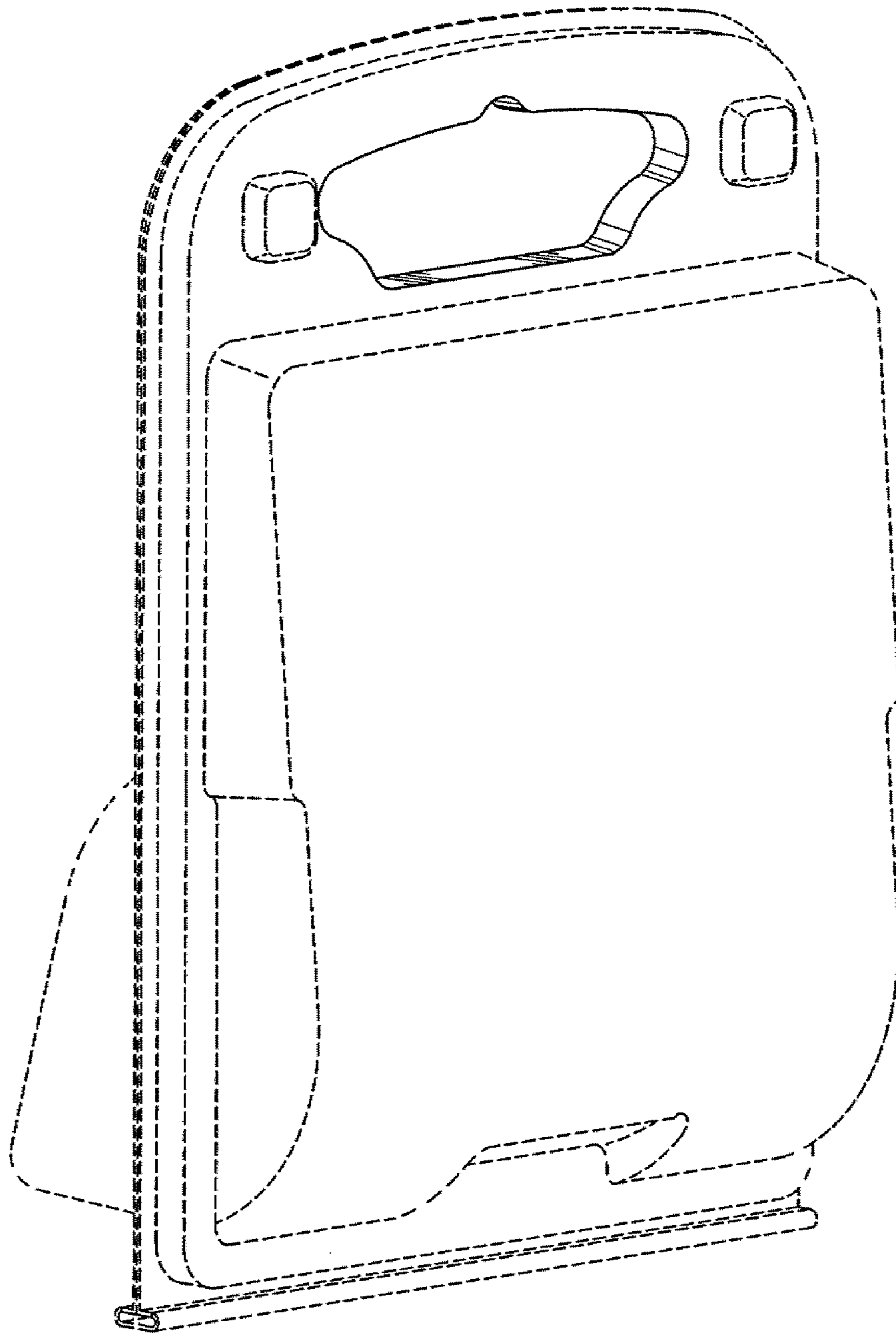


FIG. 8

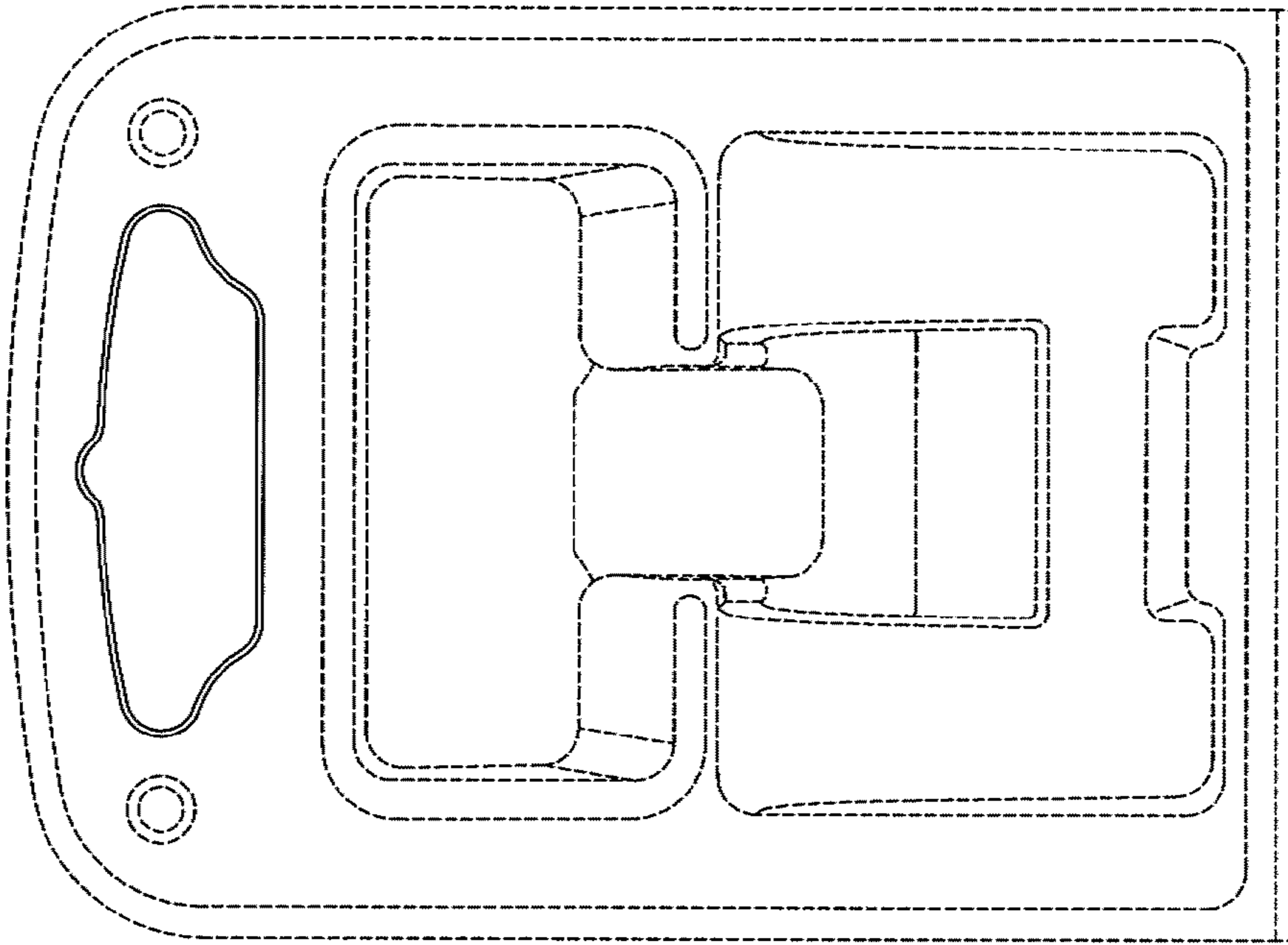


FIG. 10

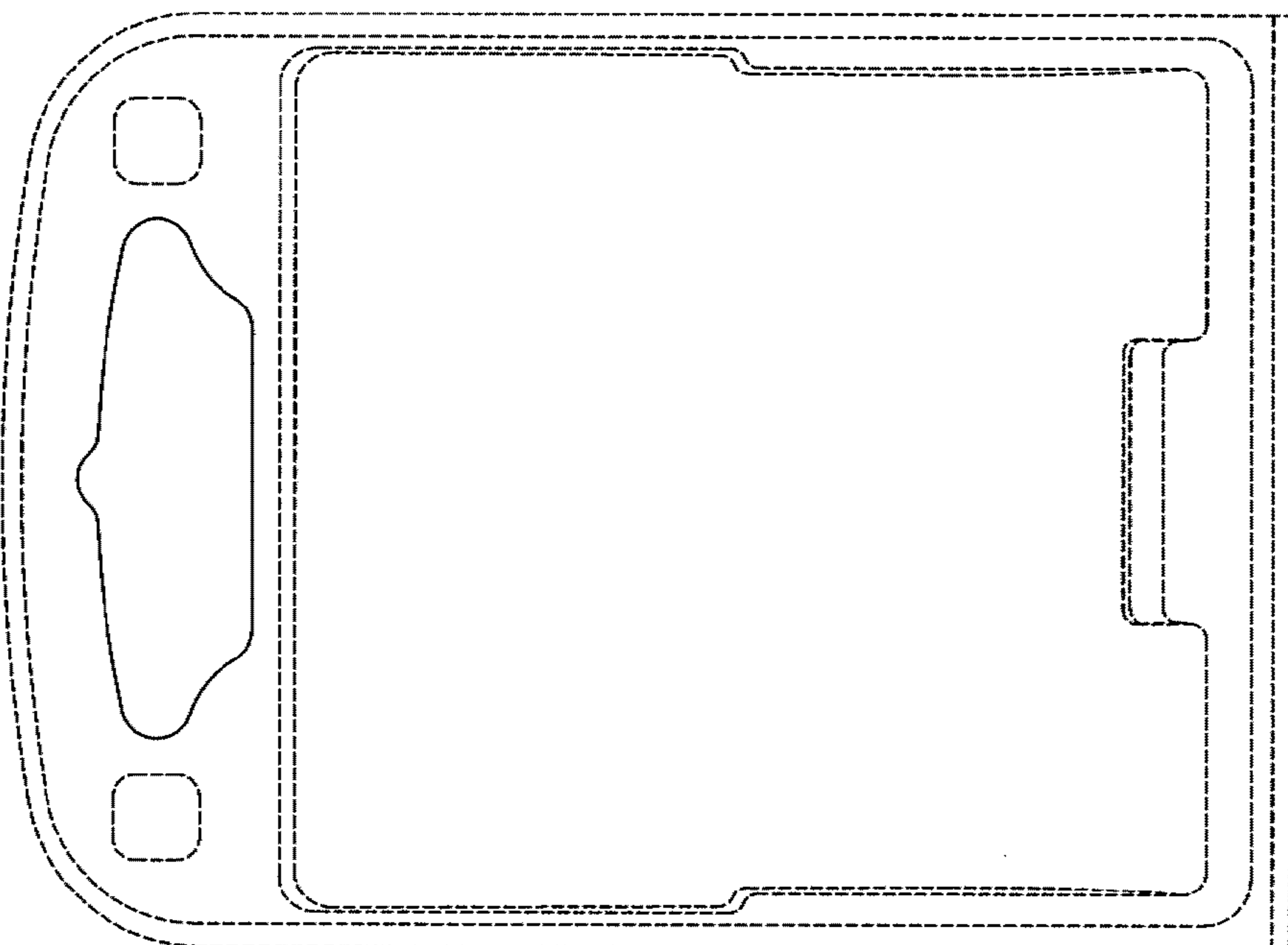


FIG. 9

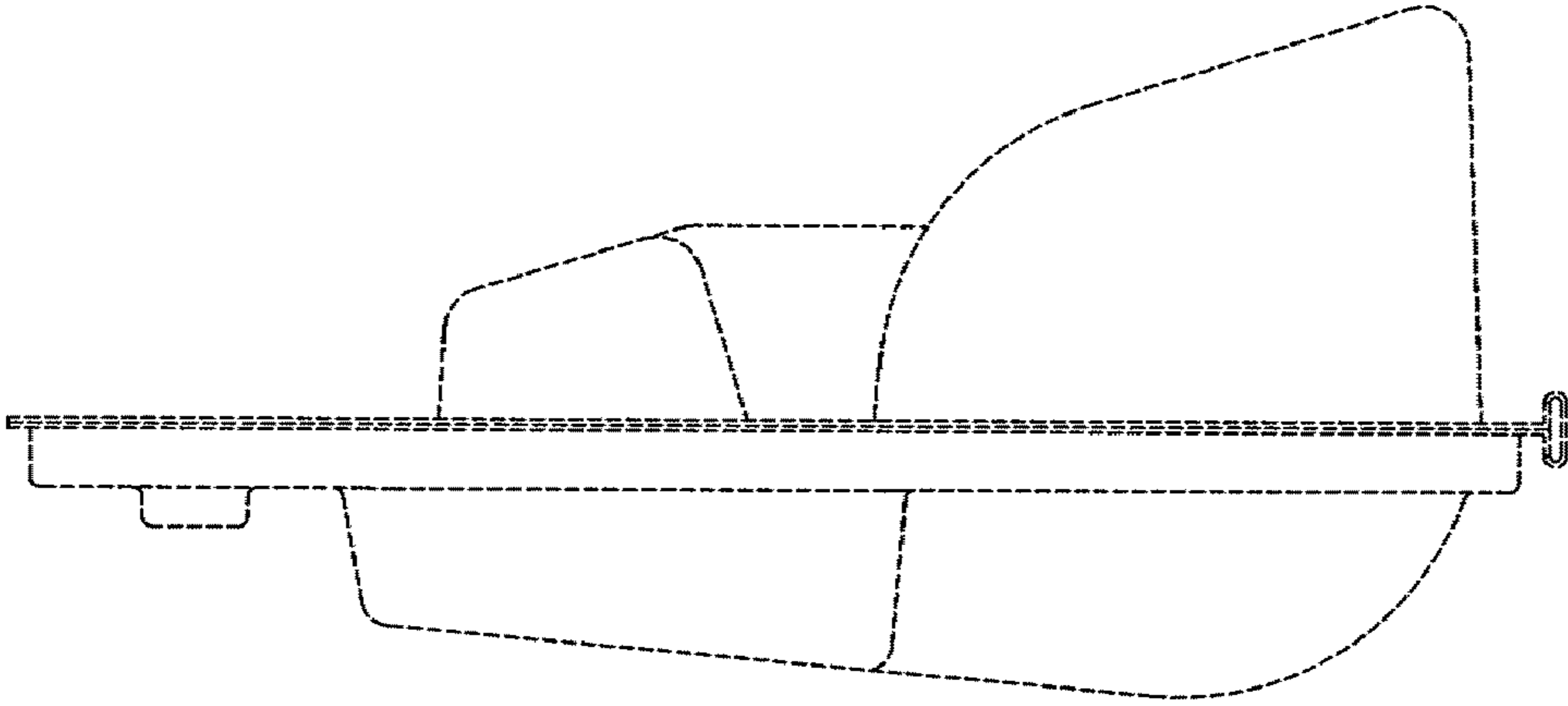


FIG. 11

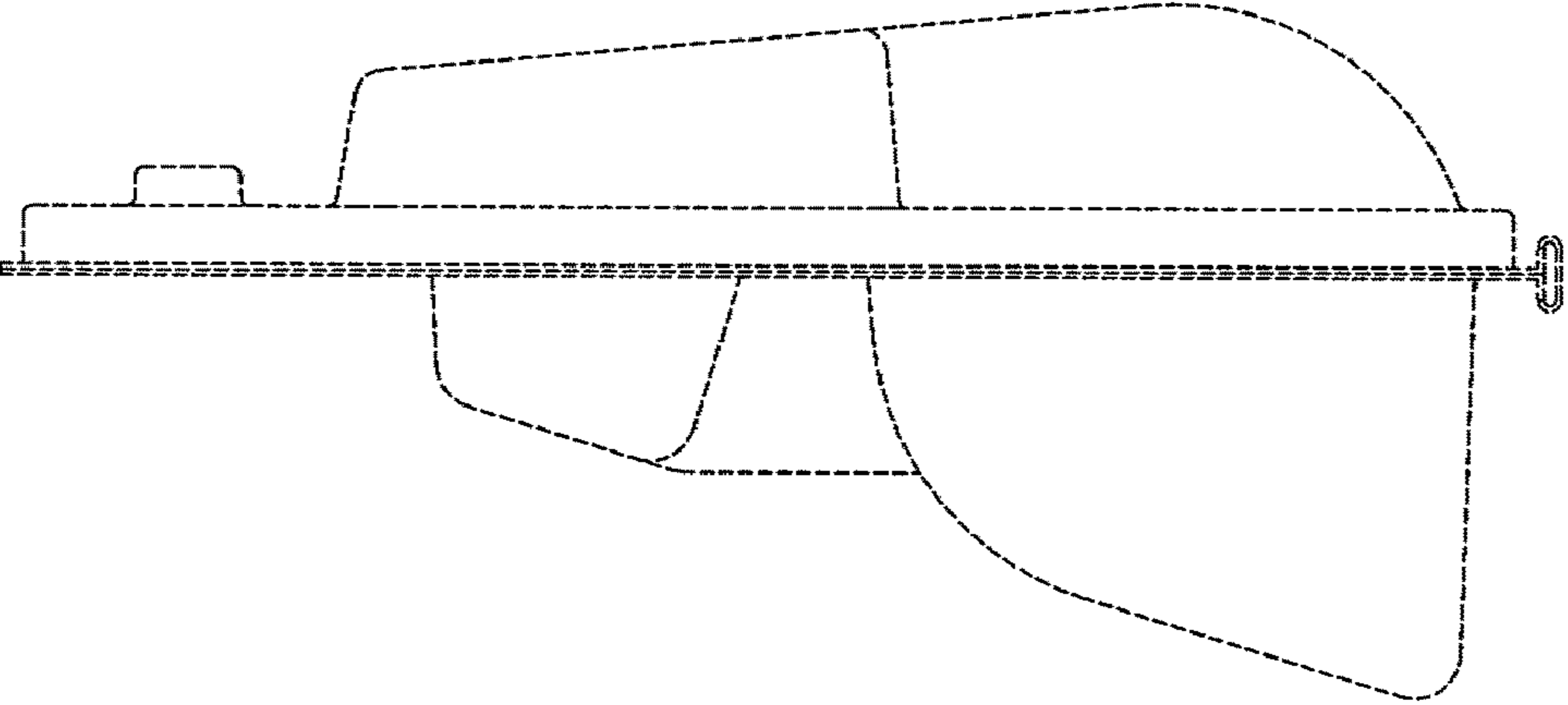


FIG. 12

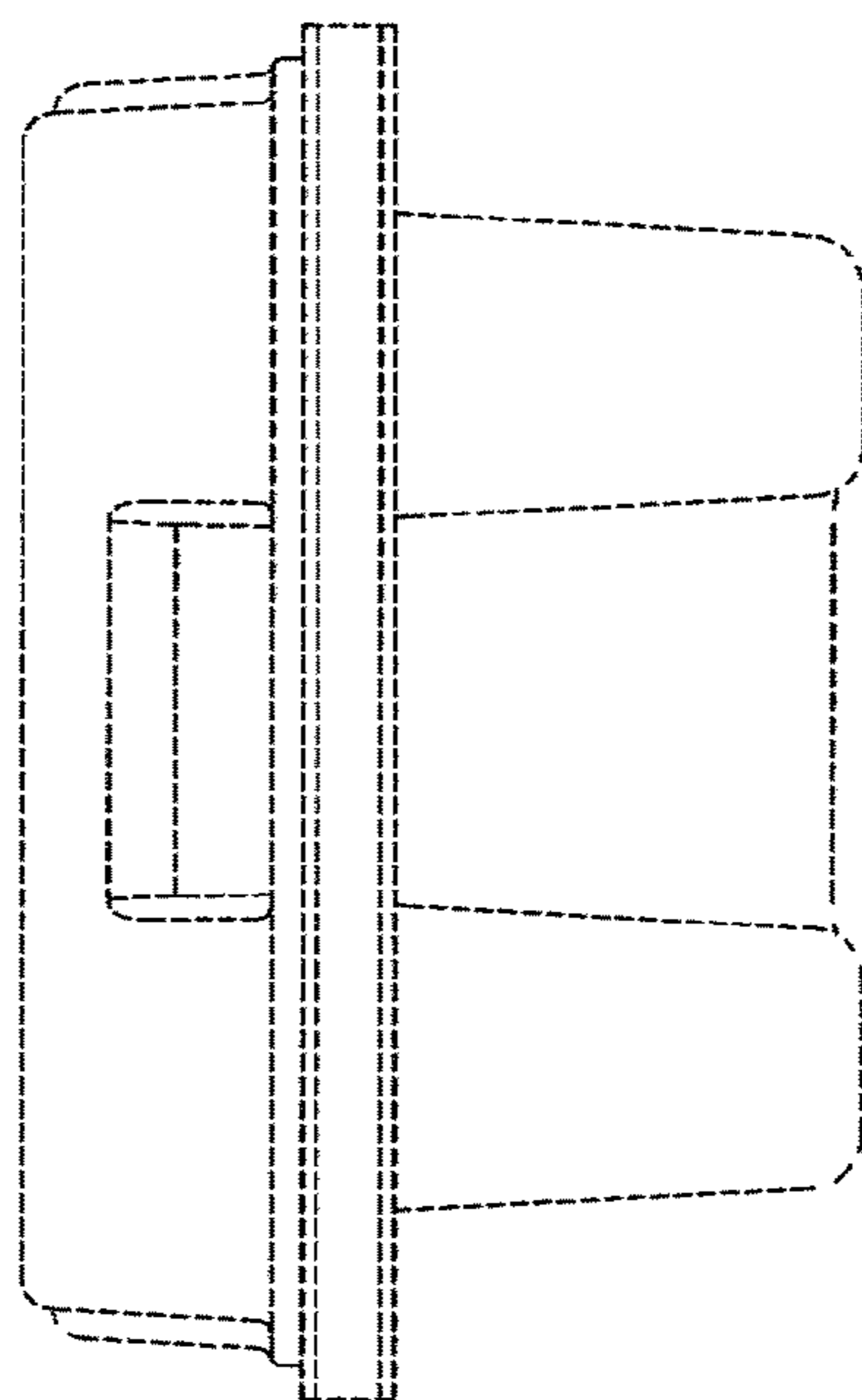


FIG. 14

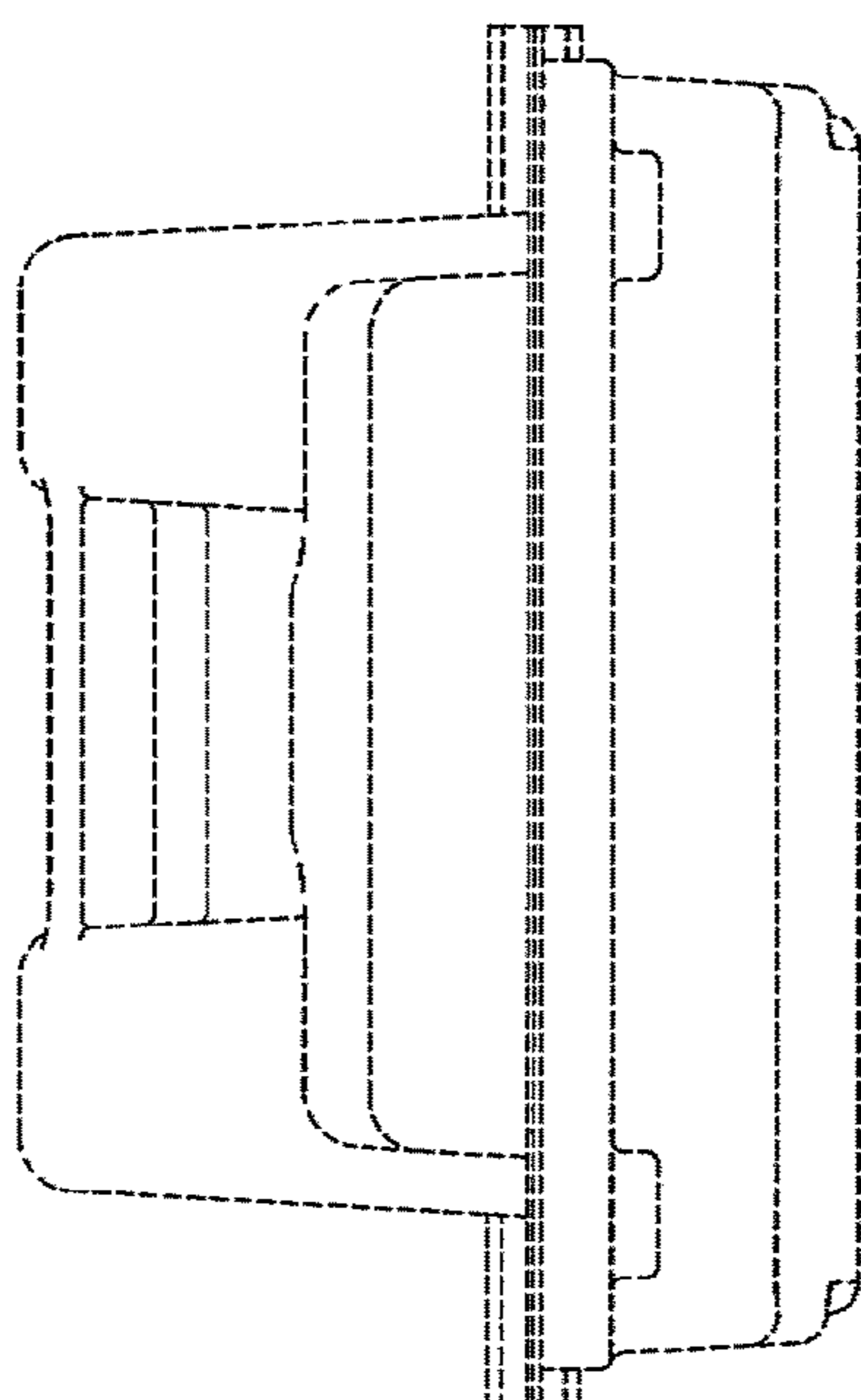


FIG. 13