

US00D605515S

(12) **United States Design Patent**
Leonardis

(10) **Patent No.:** **US D605,515 S**

(45) **Date of Patent:** **** Dec. 8, 2009**

(54) **CAP OF A BOTTLE**

5,022,566 A * 6/1991 Song et al. 222/480

D320,939 S * 10/1991 Hofmann et al. D9/447

(76) **Inventor:** **Sam John Leonardis**, 99-52 66th Rd.,
Apt. 5AA, Rego Park, NY (US) 11374

(**) **Term:** **14 Years**

* cited by examiner

(21) **Appl. No.:** **29/340,997**

Primary Examiner—Susan Bennett Hattan

(22) **Filed:** **Jul. 29, 2009**

(57) **CLAIM**

(51) **LOC (9) Cl.** **09-07**

The ornamental design for a cap of a bottle, as shown and described.

(52) **U.S. Cl.** **D9/449; D9/454**

(58) **Field of Classification Search** D9/556,
D9/529, 454, 453, 452, 449, 443, 439, 504,
D9/450, 447, 446, 730-732, 435; D8/312;
D7/392.1; D23/261; D14/217; D12/197;
229/123.1; 222/541.2, 575, 566, 556, 552,
222/519, 494, 480, 479, 212, 565; 220/288,
220/810, 781; 215/350, 344, 295, 270, 256,
215/252, 218, 216, 209, 206, 235, 236, 331,
215/220; 206/534; 116/308-315

DESCRIPTION

See application file for complete search history.

FIG. 1 is a perspective view of a cap of a bottle that illustrates the novel design;

FIG. 2 is a front view of the cap of FIG. 1;

FIG. 3 is a top view of the cap of FIG. 1;

FIG. 4 is a side elevational view of the cap of FIG. 1; and,

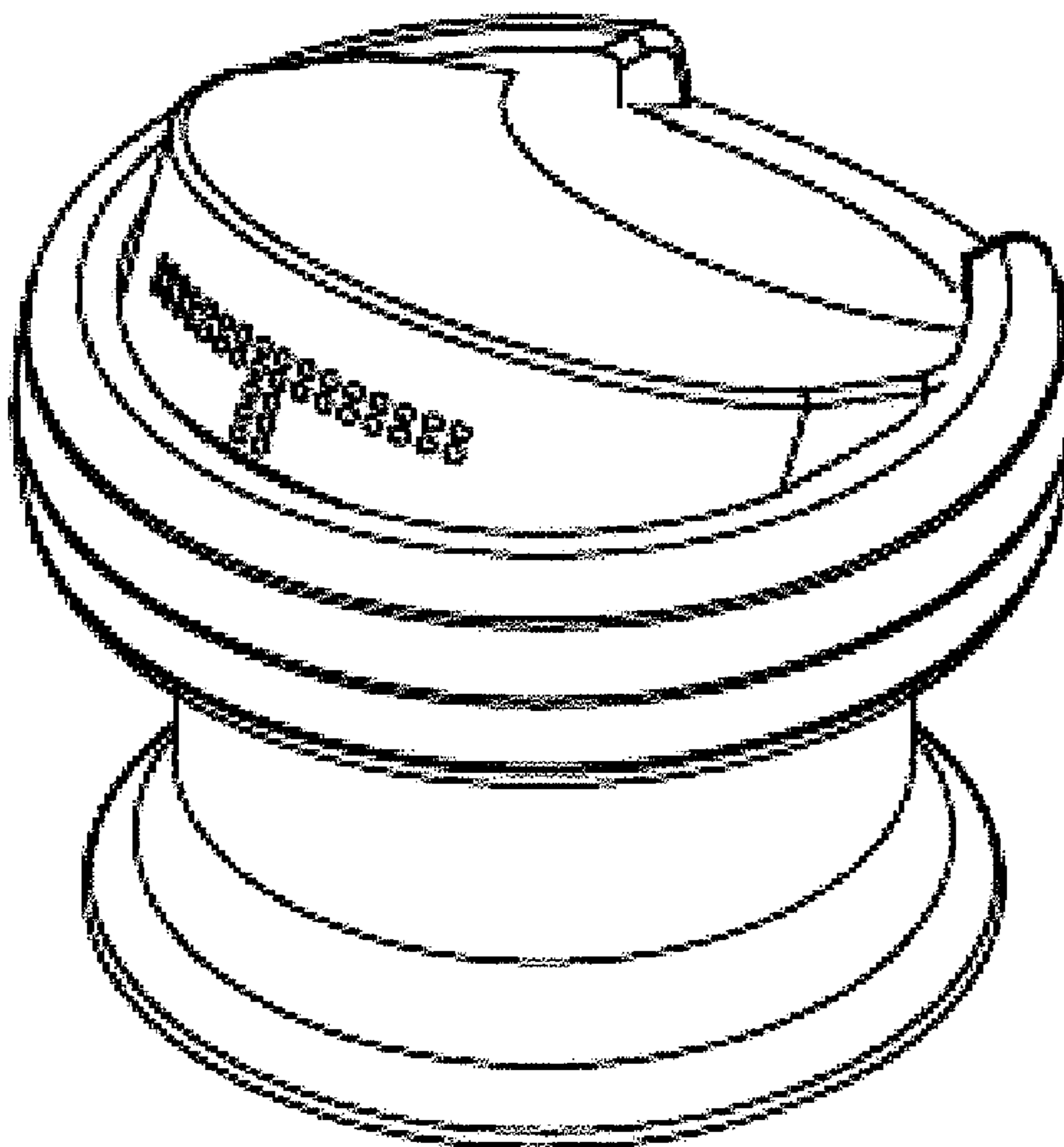
FIG. 5 is a back view of the cap of FIG. 1.

(56) **References Cited**

U.S. PATENT DOCUMENTS

D291,537 S * 8/1987 Crawford et al. D9/440

1 Claim, 3 Drawing Sheets



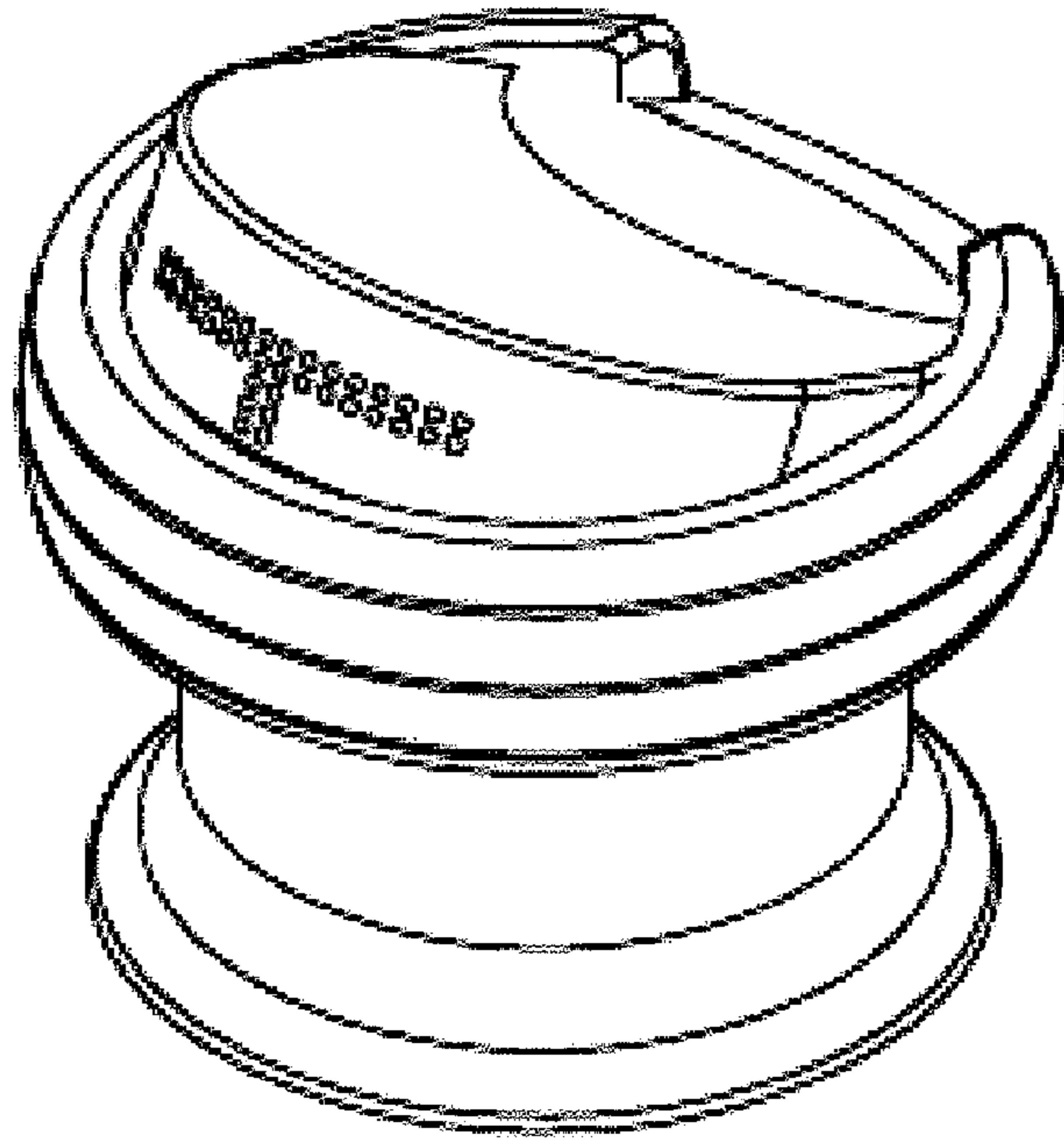


FIG. 1

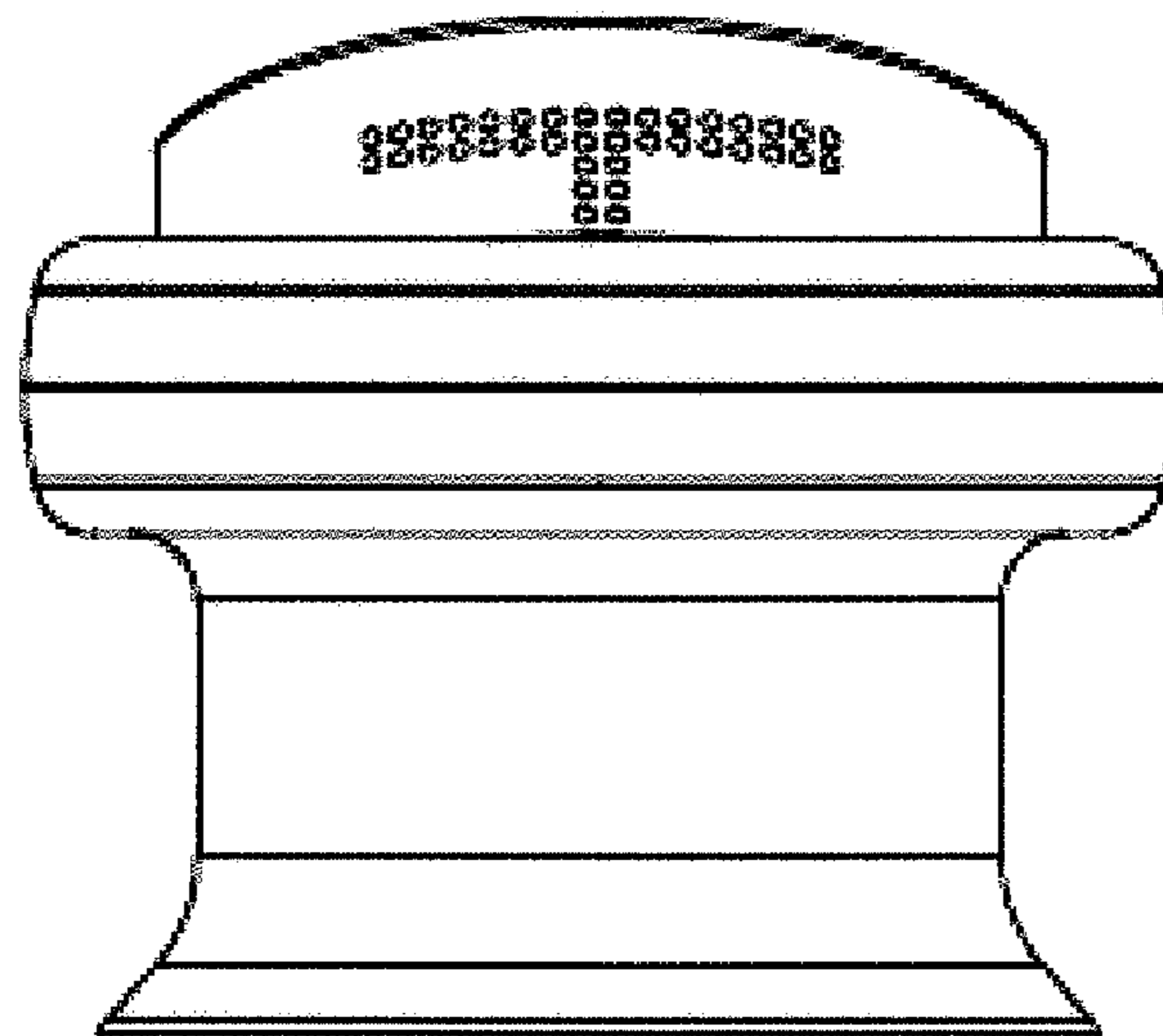


FIG. 2

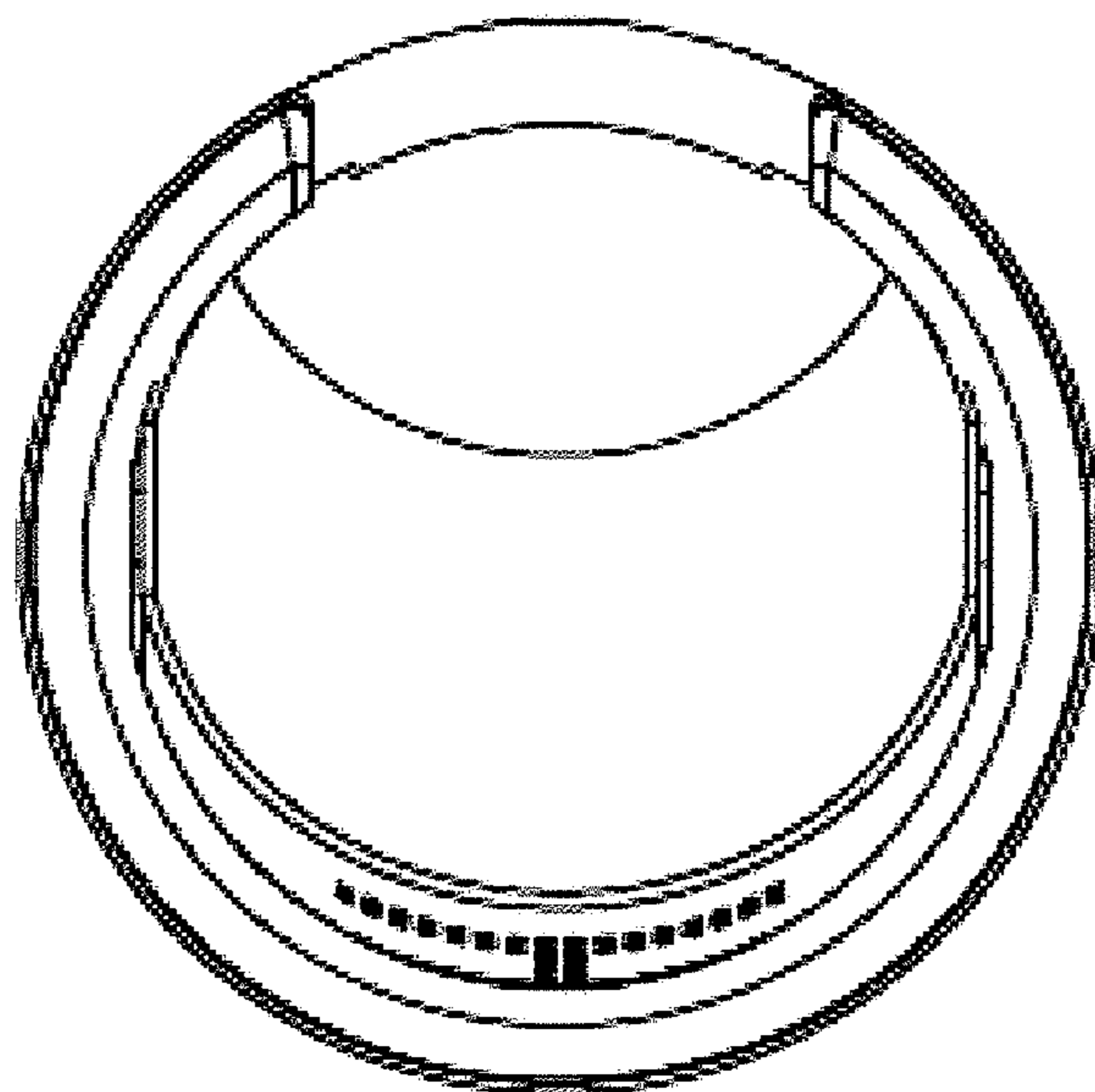


FIG. 3

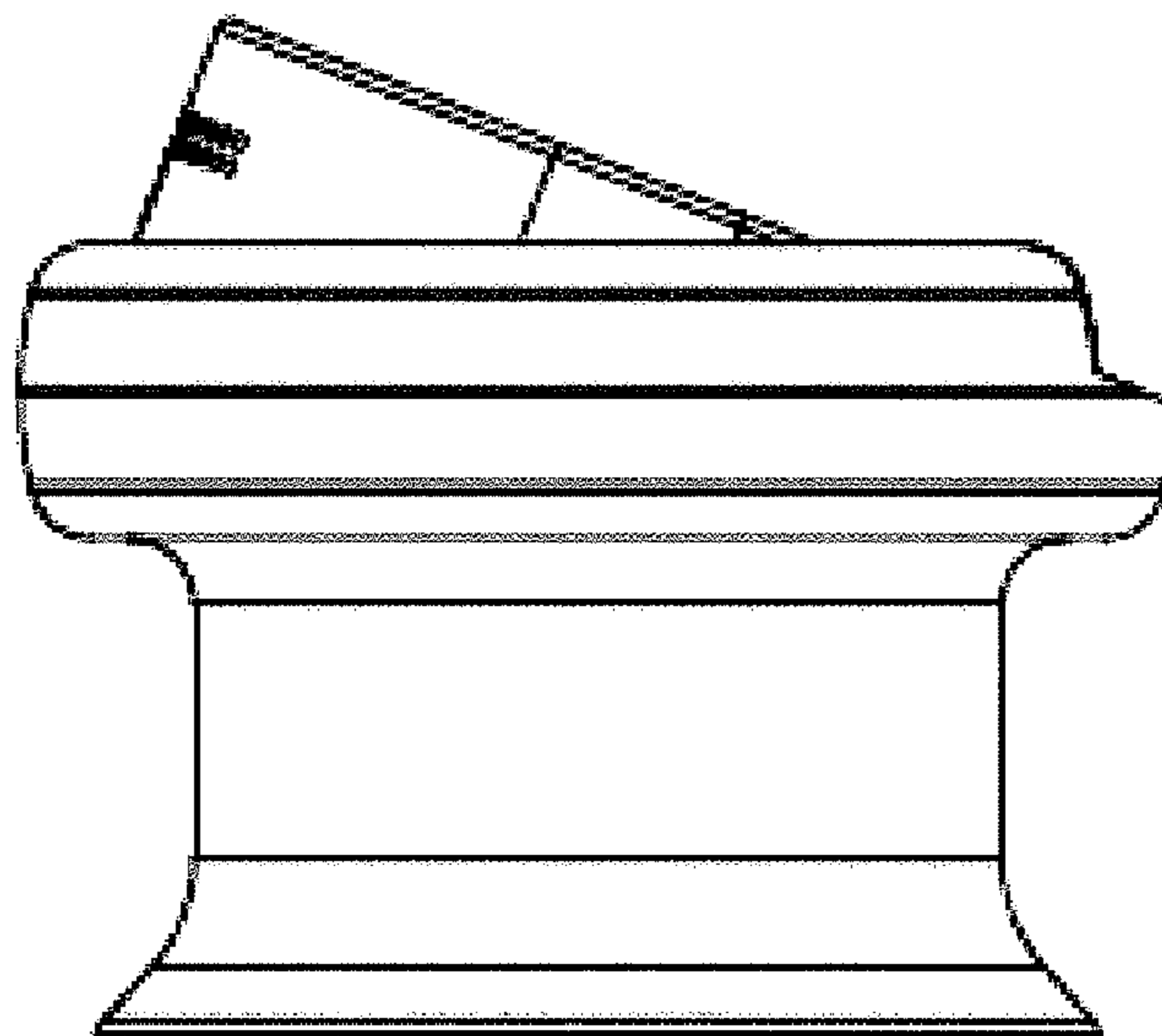


FIG. 4

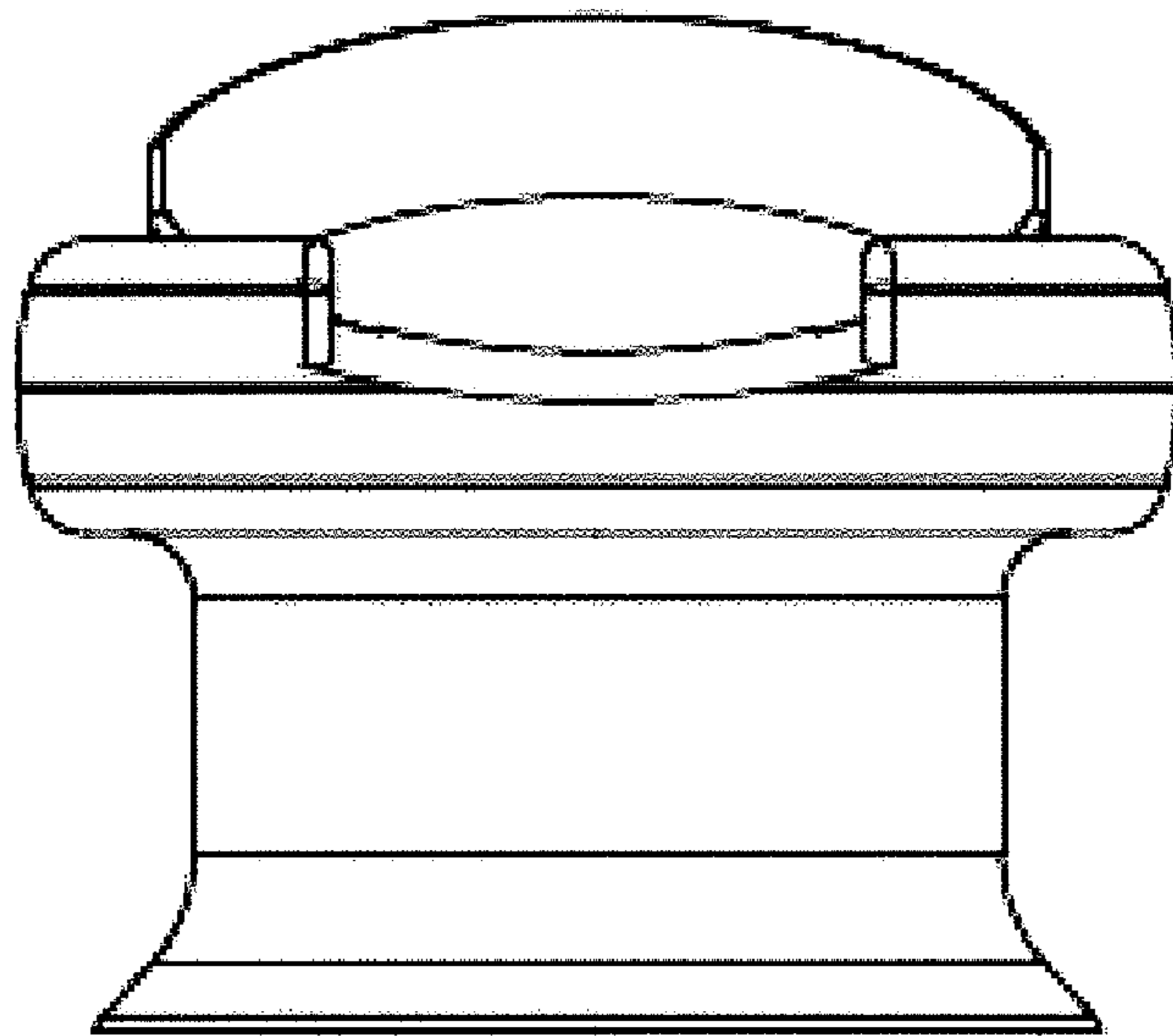


FIG. 5