



US00D605514S

(12) **United States Design Patent**
Weber

(10) **Patent No.:** **US D605,514 S**

(45) **Date of Patent:** **** Dec. 8, 2009**

(54) **CLOSURE FOR A CONTAINER**

(76) Inventor: **Heinz Weber**, 64 Gables Court,
Beaconsfield, Quebec (CA) H9W 5H4

(**) Term: **14 Years**

(21) Appl. No.: **29/314,478**

(22) Filed: **Apr. 3, 2009**

(51) **LOC (9) Cl.** **09-07**

(52) **U.S. Cl.** **D9/449; D9/454**

(58) **Field of Classification Search** D9/556,
D9/529, 454, 453, 452, 449, 443, 439, 504,
D9/450, 447, 446, 730-732, 435; D8/312;
D7/392.1; D23/261; D14/217; D12/197;
229/123.1; 222/541.2, 575, 566, 556, 552,
222/519, 494, 480, 479, 212, 565; 220/288,
220/810, 781; 215/350, 344, 295, 270, 256,
215/252, 218, 216, 209, 206, 235, 236, 331,
215/220; 206/534; 116/308-315

See application file for complete search history.

(56) **References Cited**

U.S. PATENT DOCUMENTS

D276,597 S *	12/1984	Harris	D9/435
D317,869 S *	7/1991	Kipperman et al.	D9/446
D348,840 S *	7/1994	Kuzma	D9/575
D367,605 S *	3/1996	Moore	D9/686
D373,728 S *	9/1996	Moore	D9/448
D376,320 S *	12/1996	Lathrop et al.	D9/558
6,039,224 A *	3/2000	Dallas et al.	222/565
D423,361 S *	4/2000	Negre	D9/521
D424,422 S *	5/2000	Landhed	D9/521
D433,333 S *	11/2000	Kokenge et al.	D9/449
6,321,923 B1 *	11/2001	Wood	215/235
D461,718 S *	8/2002	Brozell	D9/529
D486,400 S *	2/2004	Bakic	D9/558
D489,257 S *	5/2004	Braaten et al.	D9/444
D489,258 S *	5/2004	Hollmann et al.	D9/444
D489,504 S *	5/2004	Lin	D34/11
D504,611 S *	5/2005	Bakic	D9/446
D513,987 S *	1/2006	Bansal	D9/449
D525,136 S *	7/2006	Bakic	D9/522

D526,195 S *	8/2006	Jelich et al.	D9/449
D526,562 S *	8/2006	Jelich et al.	D9/435
D527,641 S *	9/2006	Bakic	D9/529
D527,999 S *	9/2006	Jelich et al.	D9/449
D528,005 S *	9/2006	Bakic	D9/529
D529,388 S *	10/2006	Bakic	D9/529
D529,393 S *	10/2006	Bakic	D9/574
D529,802 S *	10/2006	Jelich et al.	D9/449
D529,810 S *	10/2006	Davies et al.	D9/529
D529,811 S *	10/2006	Ratzlaff	D9/529
D529,812 S *	10/2006	Ratzlaff	D9/529
D530,204 S *	10/2006	Zaidman	D9/449
D534,426 S *	1/2007	Bakic	D9/449
D538,162 S *	3/2007	Smith	D9/449
D539,144 S *	3/2007	Penfold et al.	D9/449
D546,695 S *	7/2007	Penfold et al.	D9/529
D547,606 S *	7/2007	Forsman	D7/396.2
D574,712 S *	8/2008	Bakic	D9/522
D576,494 S *	9/2008	Bakic	D9/529

(Continued)

Primary Examiner—Susan Bennett Hattan
(74) *Attorney, Agent, or Firm*—Eric Fincham

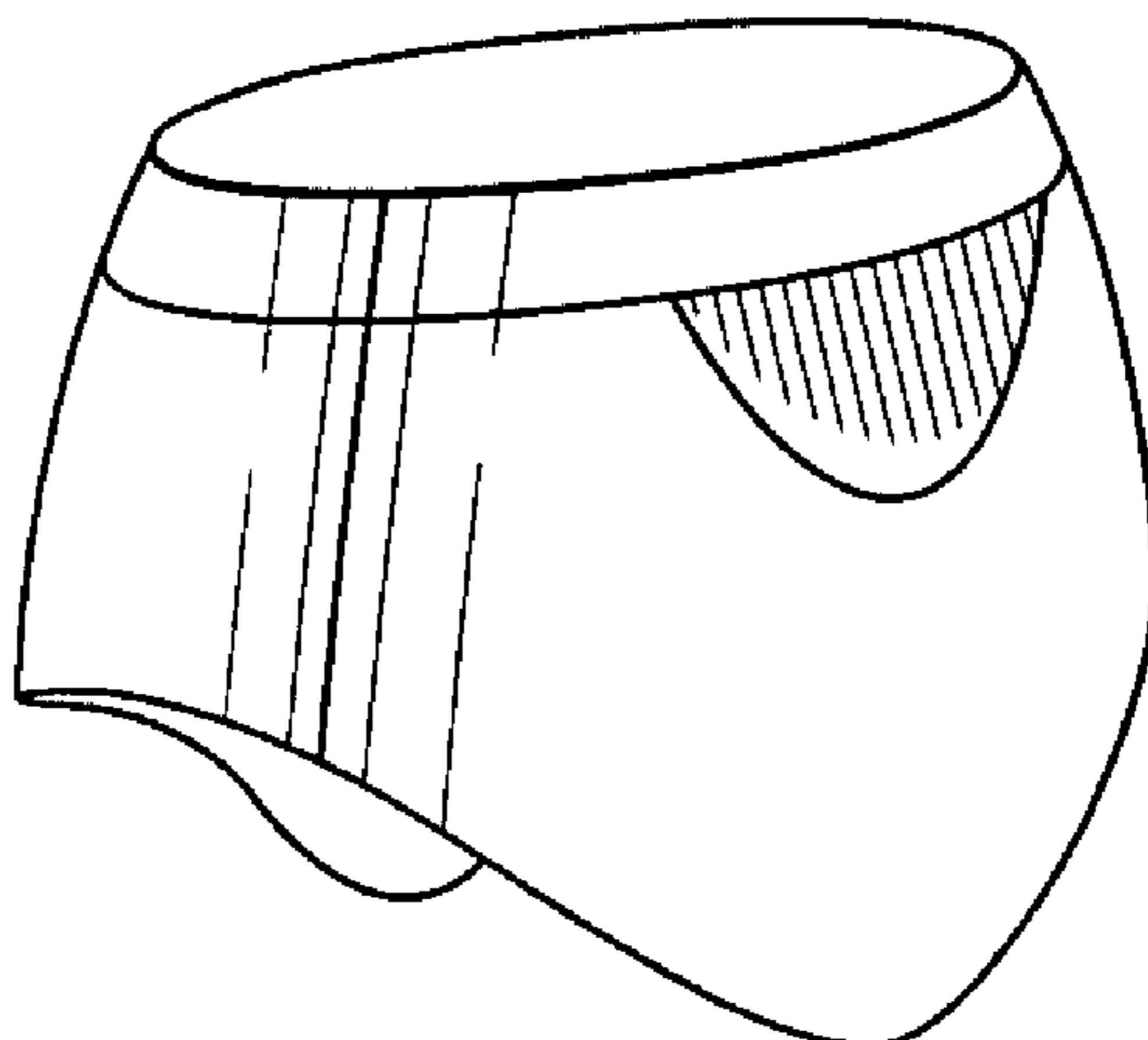
(57) **CLAIM**

An ornamental design for a closure for a container, as shown and described.

DESCRIPTION

FIG. 1 is a perspective view of the closure for a container;
FIG. 2 is a front elevational view thereof;
FIG. 3 is a side elevational view thereof as seen from the right hand side of FIG. 2;
FIG. 4 is a rear elevational view thereof;
FIG. 5 is an side elevational view as seen from the left hand side of FIG. 2;
FIG. 6 is a perspective view of the closure in an open position; and,
FIG. 7 is a top plan view thereof.

1 Claim, 1 Drawing Sheet



US D605,514 S

Page 2

U.S. PATENT DOCUMENTS

D576,875 S *	9/2008	Steiger et al.	D9/449	D585,739 S *	2/2009	Dombrowski et al.	D9/449
D579,328 S *	10/2008	Ribadeneira Mejia		D588,913 S *	3/2009	Bakic	D9/435
		et al.	D9/442	D589,796 S *	4/2009	McGeough	D9/449
D584,148 S *	1/2009	Stolle	D9/449	D594,747 S *	6/2009	Moretti	D9/449
D584,159 S *	1/2009	Domoy et al.	D9/558	2005/0173366 A1 *	8/2005	Baudin	215/235
D585,289 S *	1/2009	Toh	D9/529				

* cited by examiner

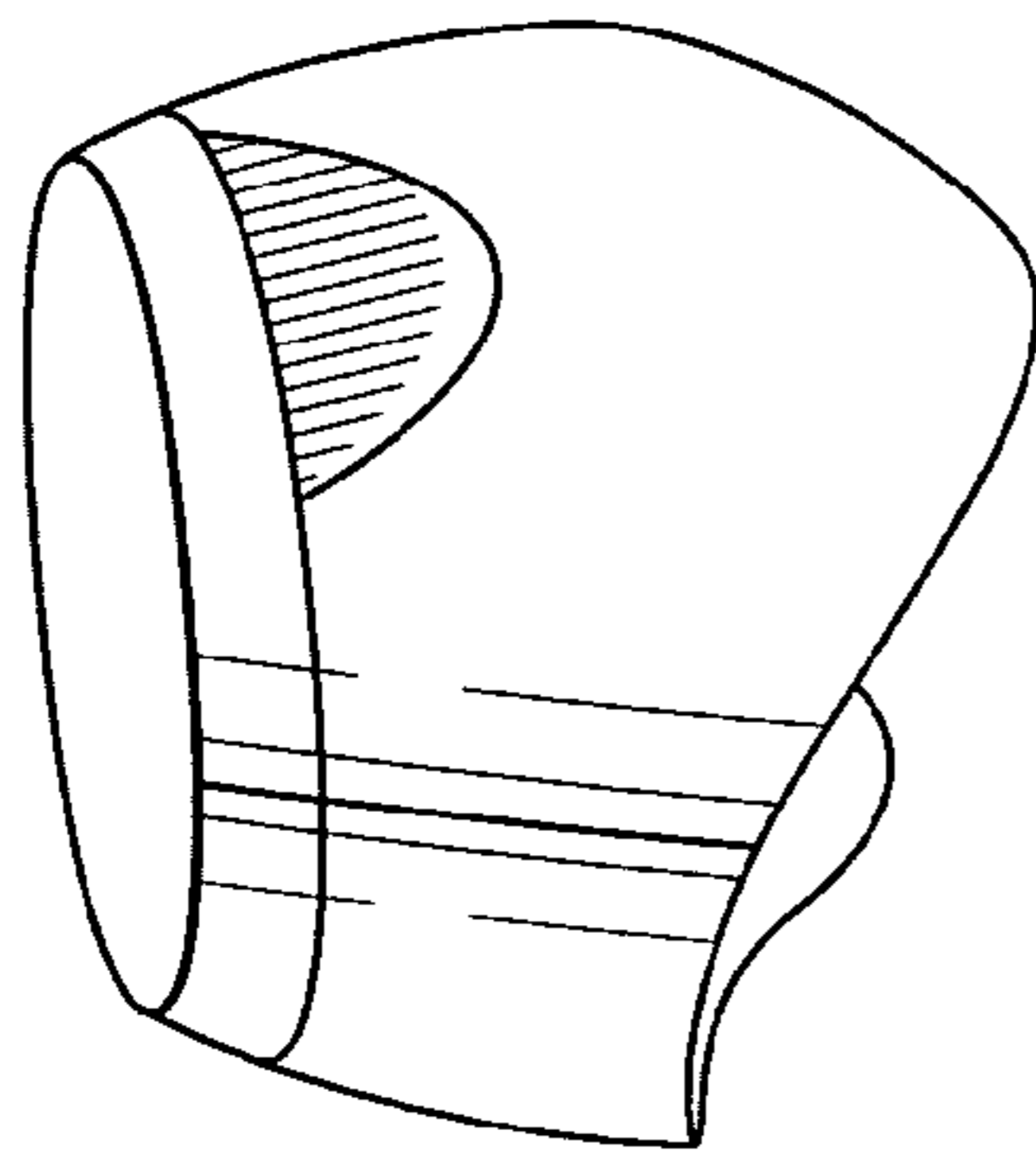


FIG. 1

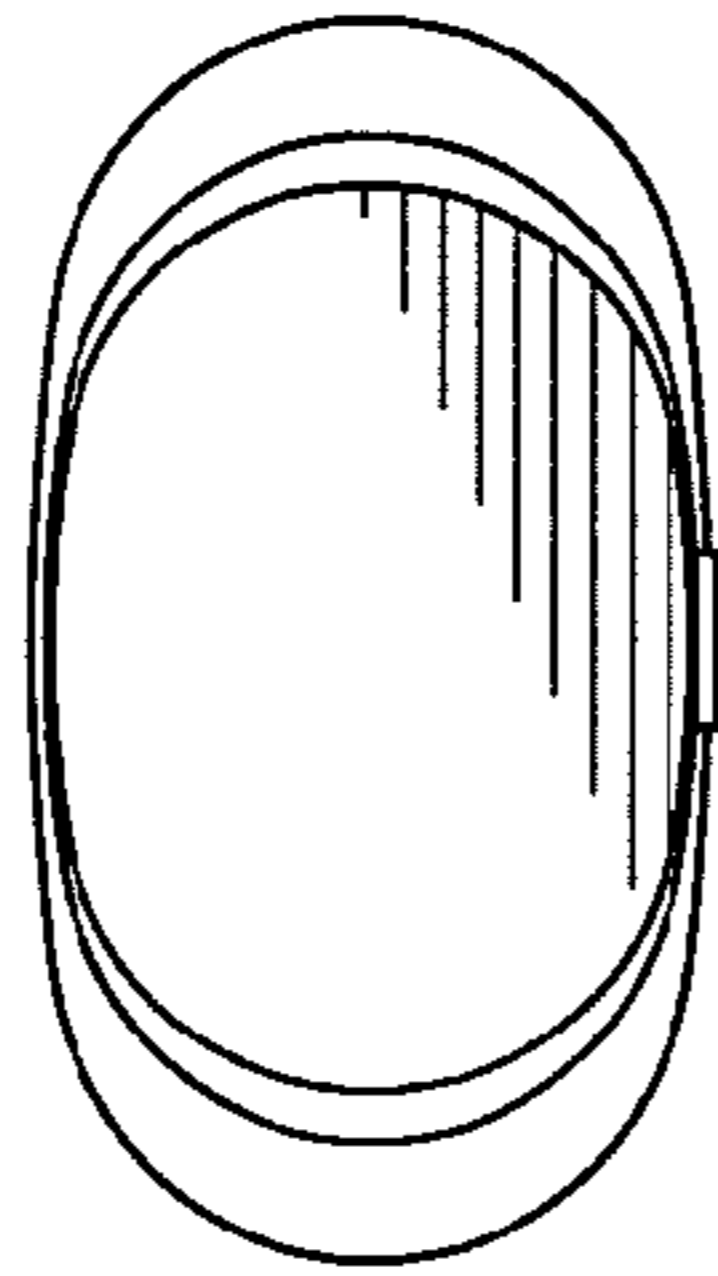


FIG. 7

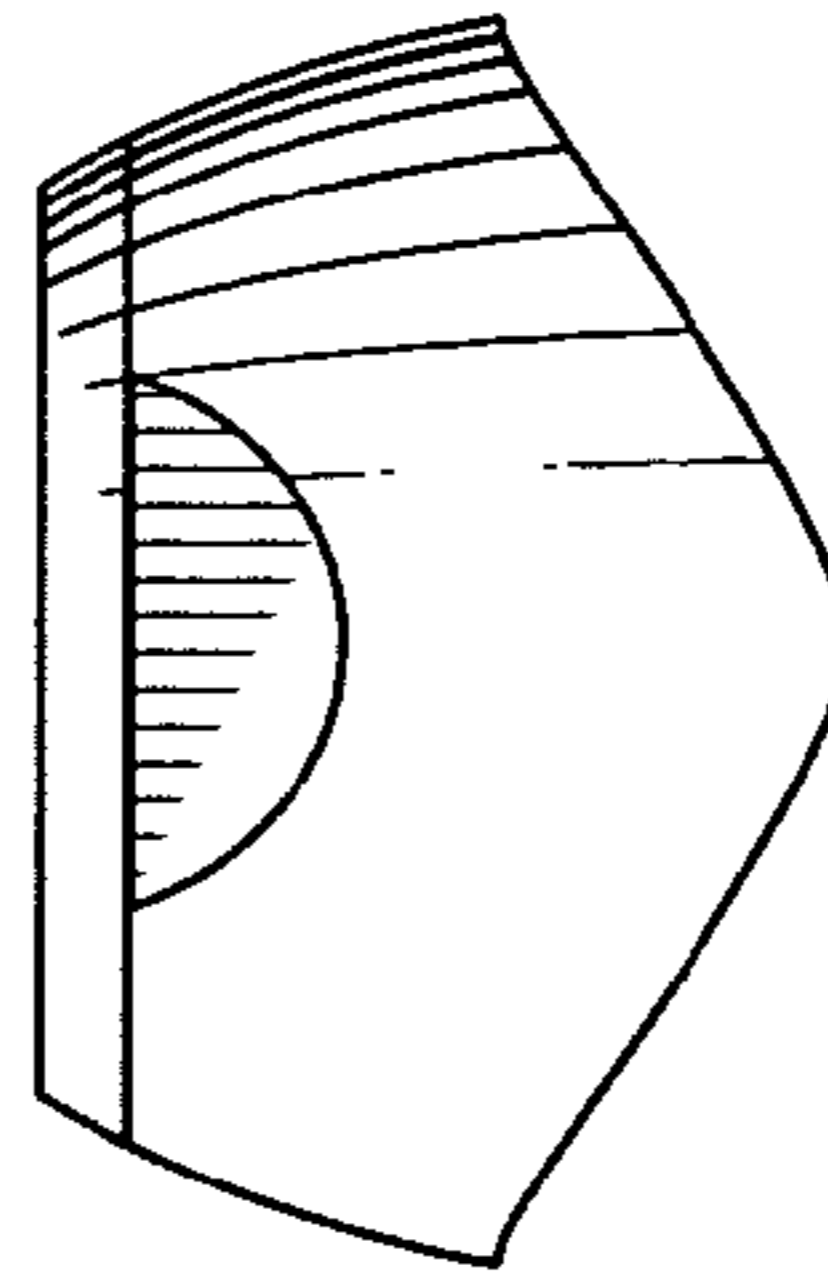


FIG. 2

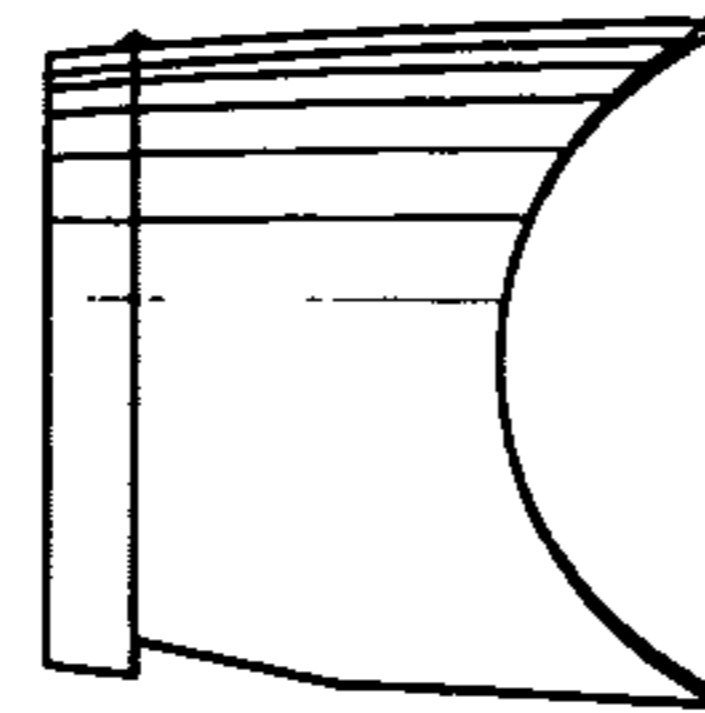


FIG. 3

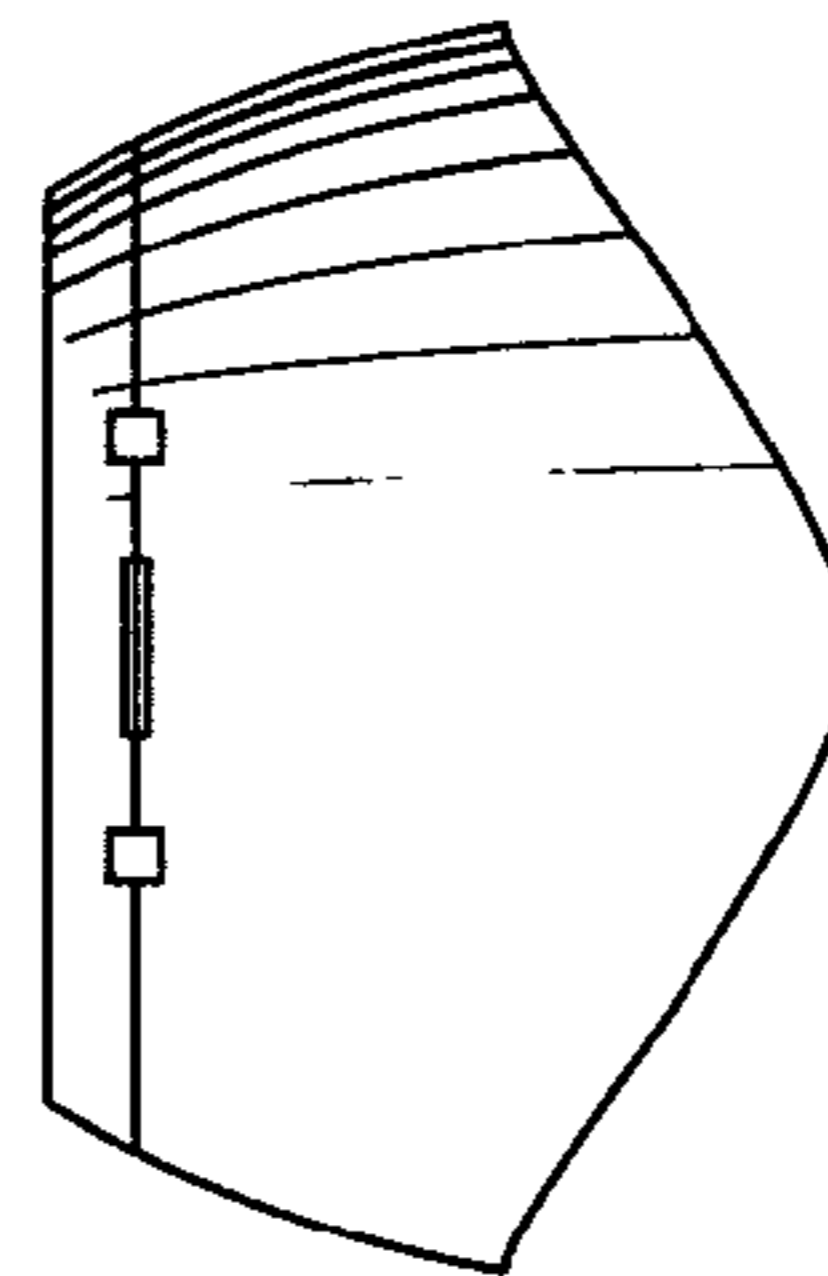


FIG. 4

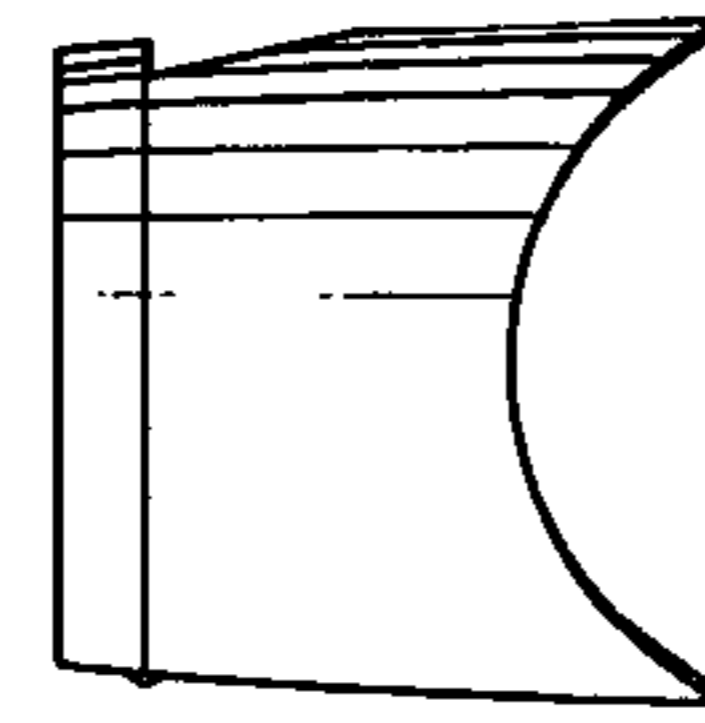


FIG. 5

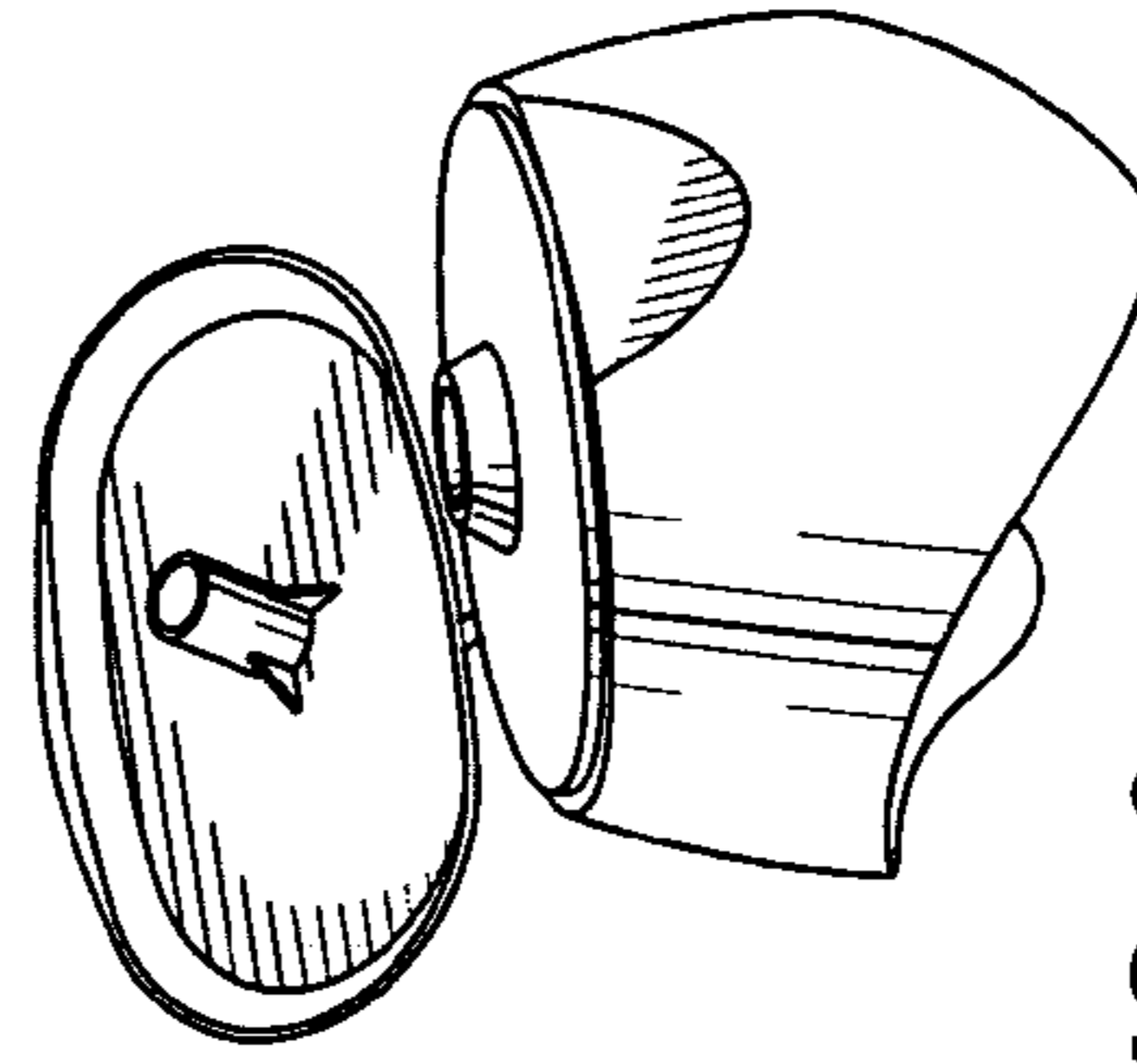


FIG. 6