



US00D605513S

(12) **United States Design Patent**  
**Weber**

(10) **Patent No.:** **US D605,513 S**

(45) **Date of Patent:** **\*\* Dec. 8, 2009**

(54) **CLOSURE FOR A CONTAINER**

(76) Inventor: **Heinz Weber**, 64 Gables Court,  
Beaconsfield, Quebec (CA) H9W 5H4

(\*\*) Term: **14 Years**

(21) Appl. No.: **29/314,476**

(22) Filed: **Apr. 3, 2009**

(51) **LOC (9) Cl.** ..... **09-07**

(52) **U.S. Cl.** ..... **D9/449; D9/454**

(58) **Field of Classification Search** ..... D9/556,  
D9/529, 454, 453, 452, 449, 443, 439, 504,  
D9/450, 447, 446, 730-732, 435; D8/312;  
D7/392.1; D23/261; D14/217; D12/197;  
229/123.1; 222/541.2, 575, 566, 556, 552,  
222/519, 494, 480, 479, 212, 565; 220/288,  
220/810, 781; 215/350, 344, 295, 270, 256,  
215/252, 218, 216, 209, 206, 235, 236, 331,  
215/220; 206/534; 116/308-315

See application file for complete search history.

(56) **References Cited**

**U.S. PATENT DOCUMENTS**

D382,803 S \* 8/1997 Gavin ..... D9/526  
D398,530 S \* 9/1998 Gavin ..... D9/449  
D447,953 S \* 9/2001 Brynestad et al. .... D9/529  
D463,280 S \* 9/2002 Brozell ..... D9/449

D463,744 S \* 10/2002 Brozell ..... D9/449  
D484,418 S \* 12/2003 Diets ..... D9/529  
D527,640 S \* 9/2006 Cummings et al. .... D9/529  
D530,202 S \* 10/2006 Herald et al. .... D9/449  
D532,309 S \* 11/2006 Stolle ..... D9/529  
D585,290 S \* 1/2009 Toh ..... D9/529

\* cited by examiner

*Primary Examiner*—Susan Bennett Hattan

(74) *Attorney, Agent, or Firm*—Eric Fincham

(57) **CLAIM**

An ornamental design for a closure for a container, as shown and described.

**DESCRIPTION**

FIG. 1 is a perspective view of the closure for a container;

FIG. 2 is a front elevational view thereof;

FIG. 3 is a side elevational view thereof as seen from the right hand side of FIG. 2;

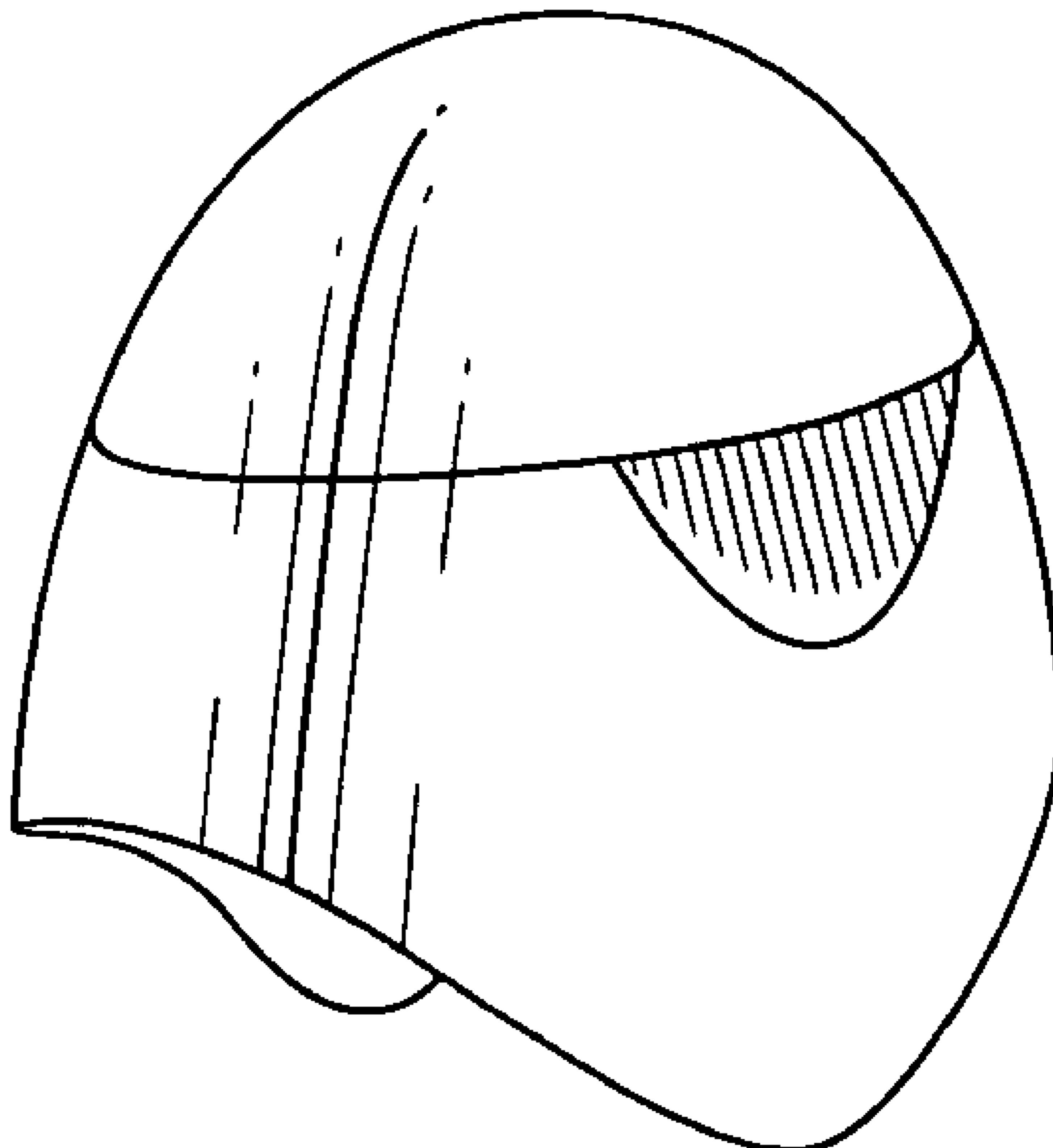
FIG. 4 is a rear elevational view thereof;

FIG. 5 is an side elevational view as seen from the left hand side of FIG. 2;

FIG. 6 is a perspective view of the closure in an open position; and,

FIG. 7 is a top plan view thereof.

**1 Claim, 1 Drawing Sheet**



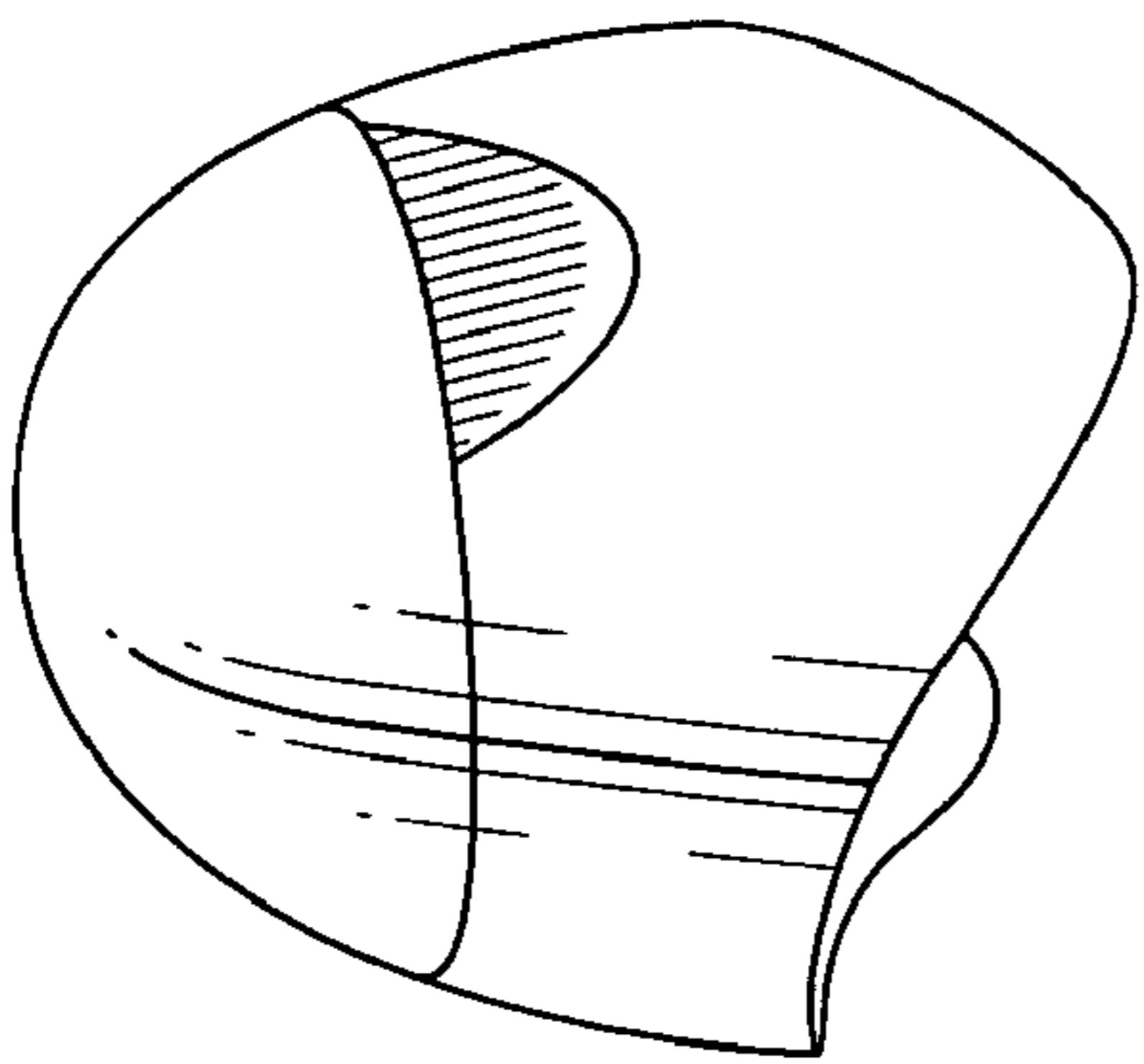


FIG. 1

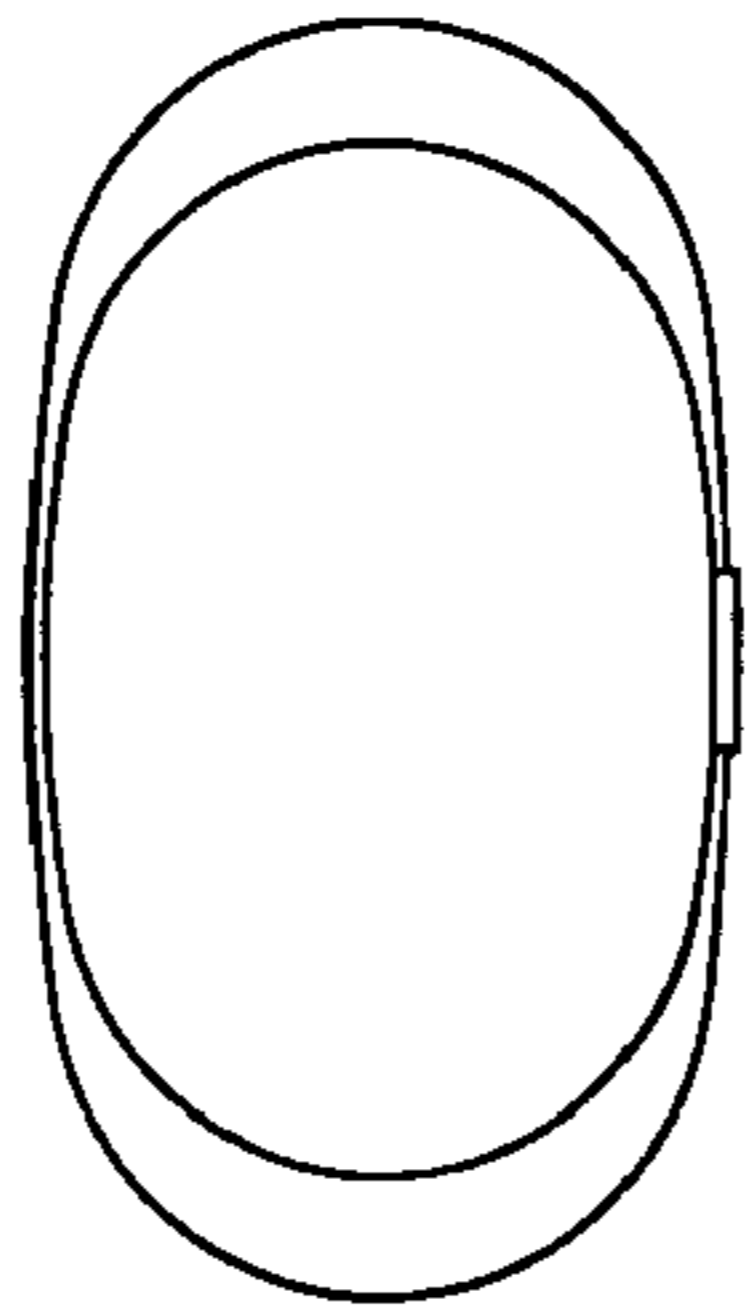


FIG. 7

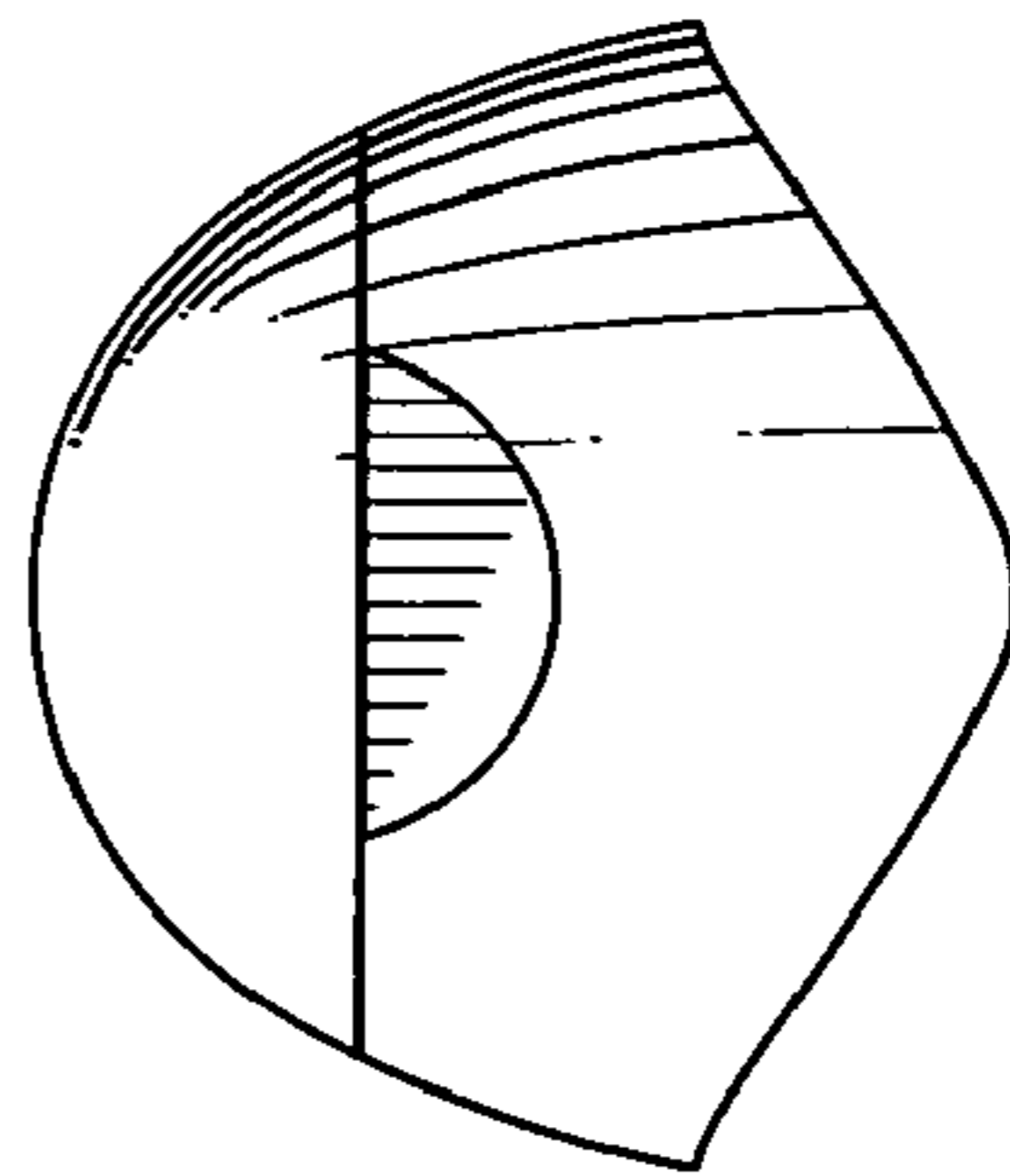


FIG. 2

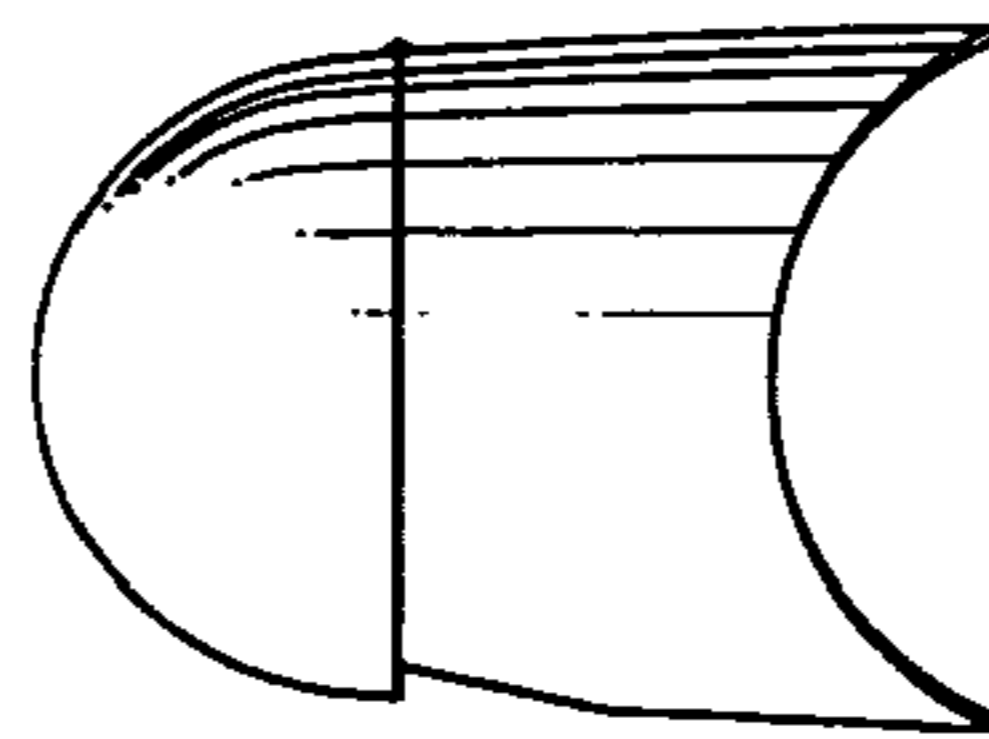


FIG. 3

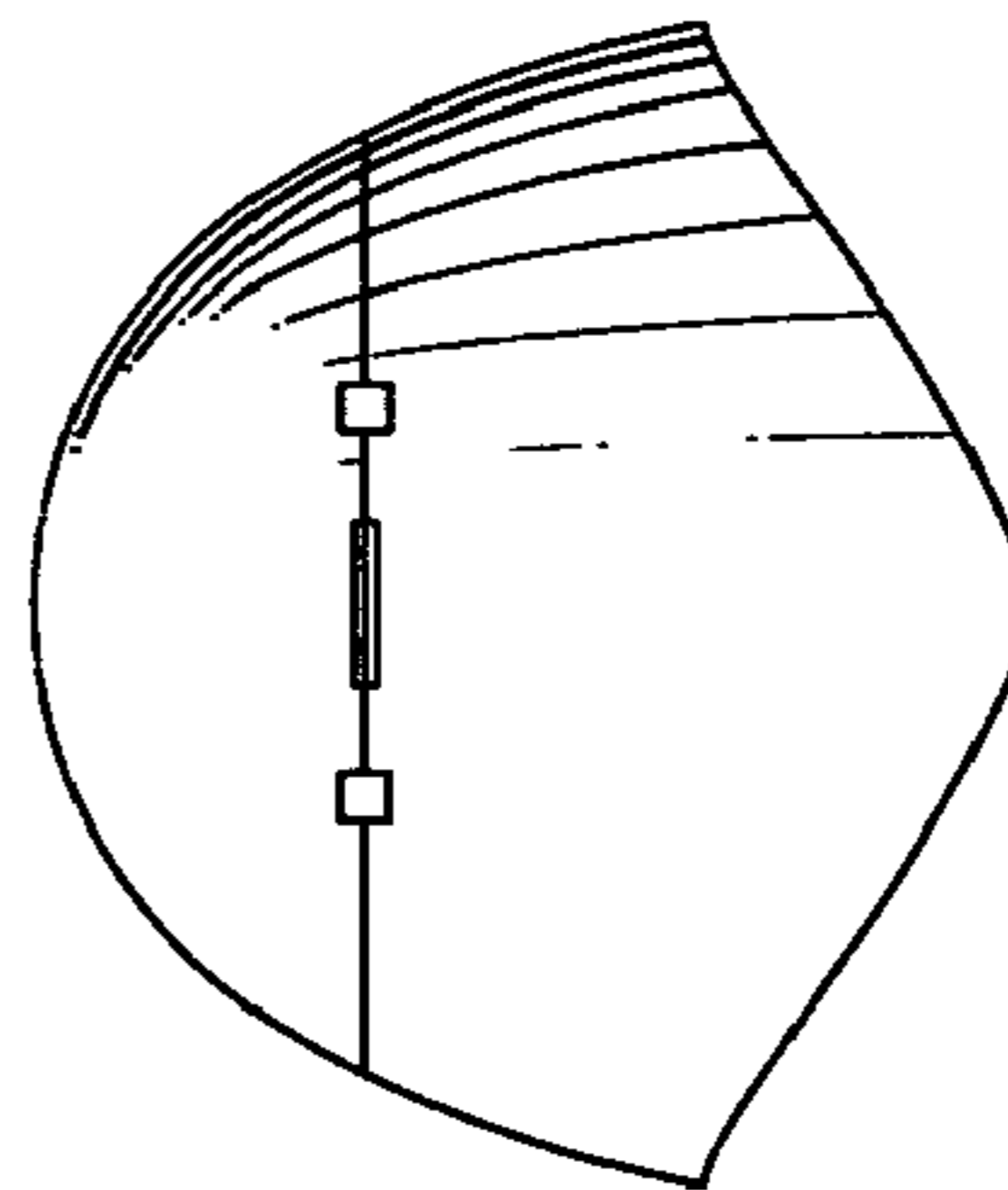


FIG. 4

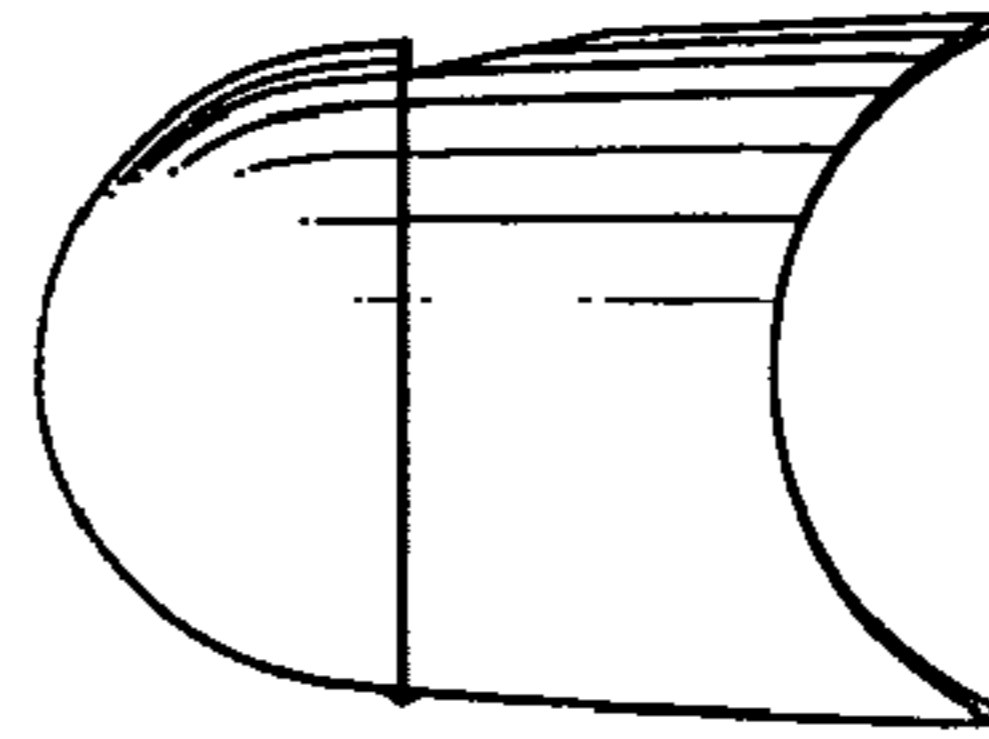


FIG. 5

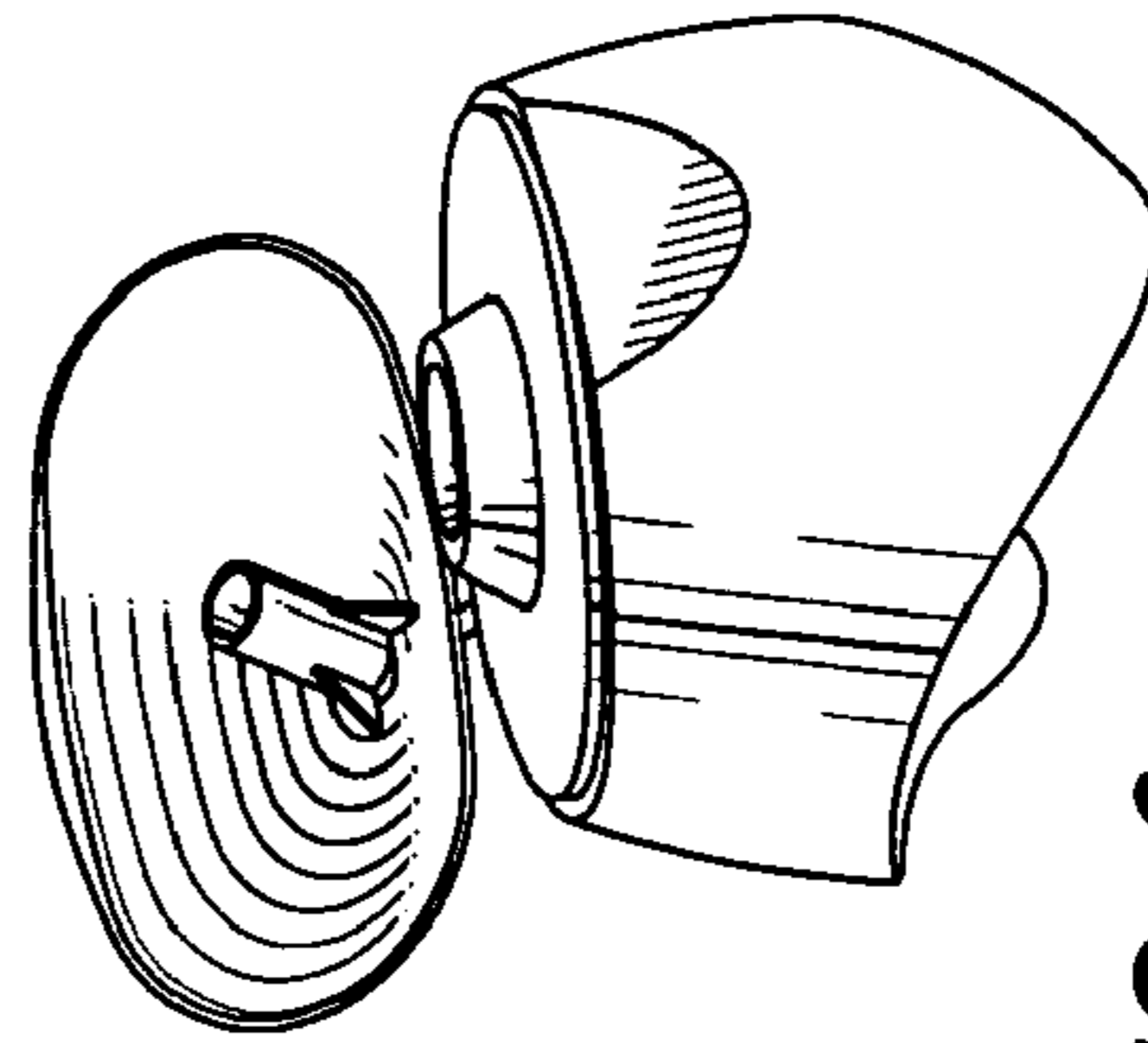


FIG. 6