



US00D605509S

(12) **United States Design Patent**
Leonardis

(10) **Patent No.:** **US D605,509 S**
(45) **Date of Patent:** **** Dec. 8, 2009**

(54) **CAP WITHOUT A LID FOR A BOTTLE**

(76) Inventor: **Sam John Leonardis**, 99-52 66th Rd.,
Apt. 5AA, Rego Park, NY (US) 11374

(**) Term: **14 Years**

(21) Appl. No.: **29/341,001**

(22) Filed: **Jul. 29, 2009**

(51) **LOC (9) Cl.** **09-07**

(52) **U.S. Cl.** **D9/435; D9/454**

(58) **Field of Classification Search** D9/556,
D9/529, 454, 453, 452, 449, 443, 439, 504,
D9/450, 447, 446, 730-732, 435; D8/312;
D7/392.1; D23/261; D14/217; D12/197;
229/123.1; 222/541.2, 575, 566, 556, 552,
222/519, 494, 480, 479, 212, 565; 220/288,
220/810, 781; 215/350, 344, 295, 270, 256,
215/252, 218, 216, 209, 206, 235, 236, 331,
215/220; 206/534; 116/308-315

See application file for complete search history.

(56) **References Cited**

U.S. PATENT DOCUMENTS

D450,582 S * 11/2001 Adams et al. D9/438

D527,611 S * 9/2006 Sato D8/310
D569,220 S * 5/2008 McConnell D8/310
D580,756 S * 11/2008 Seebold D9/439
D583,670 S * 12/2008 Lamb et al. D9/454
D597,840 S * 8/2009 Biesecker et al. D9/454

* cited by examiner

Primary Examiner—Susan Bennett Hattan

(57) **CLAIM**

The ornamental design for a cap without a lid for a bottle, as shown and described.

DESCRIPTION

FIG. 1 is a perspective view of a cap without a lid for a bottle that illustrates the novel design;

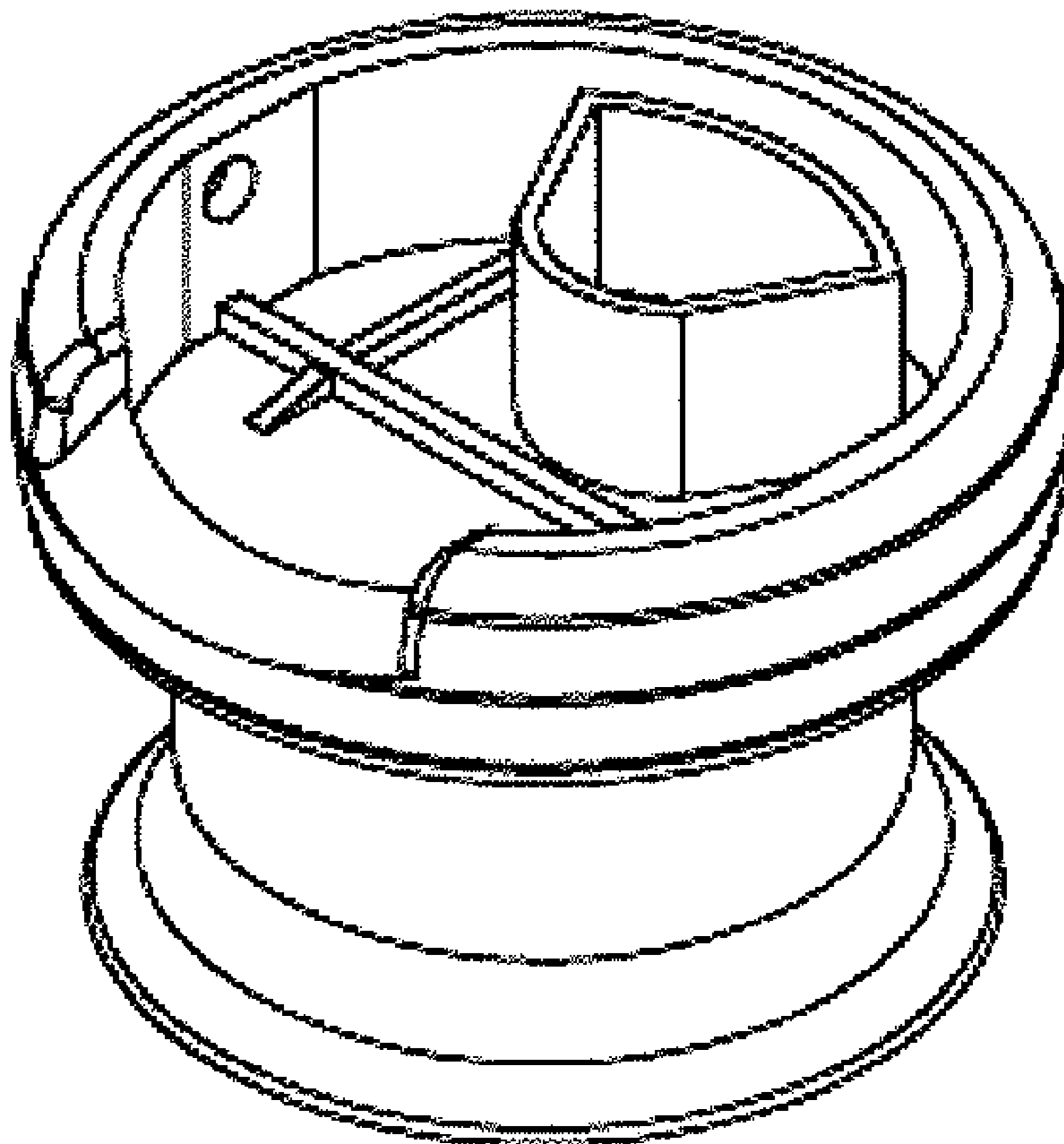
FIG. 2 is a front view of the cap of FIG. 1;

FIG. 3 is a top view of the cap of FIG. 1;

FIG. 4 is a side elevational view of the cap of FIG. 1; and,

FIG. 5 is a back view of the cap of FIG. 1.

1 Claim, 3 Drawing Sheets



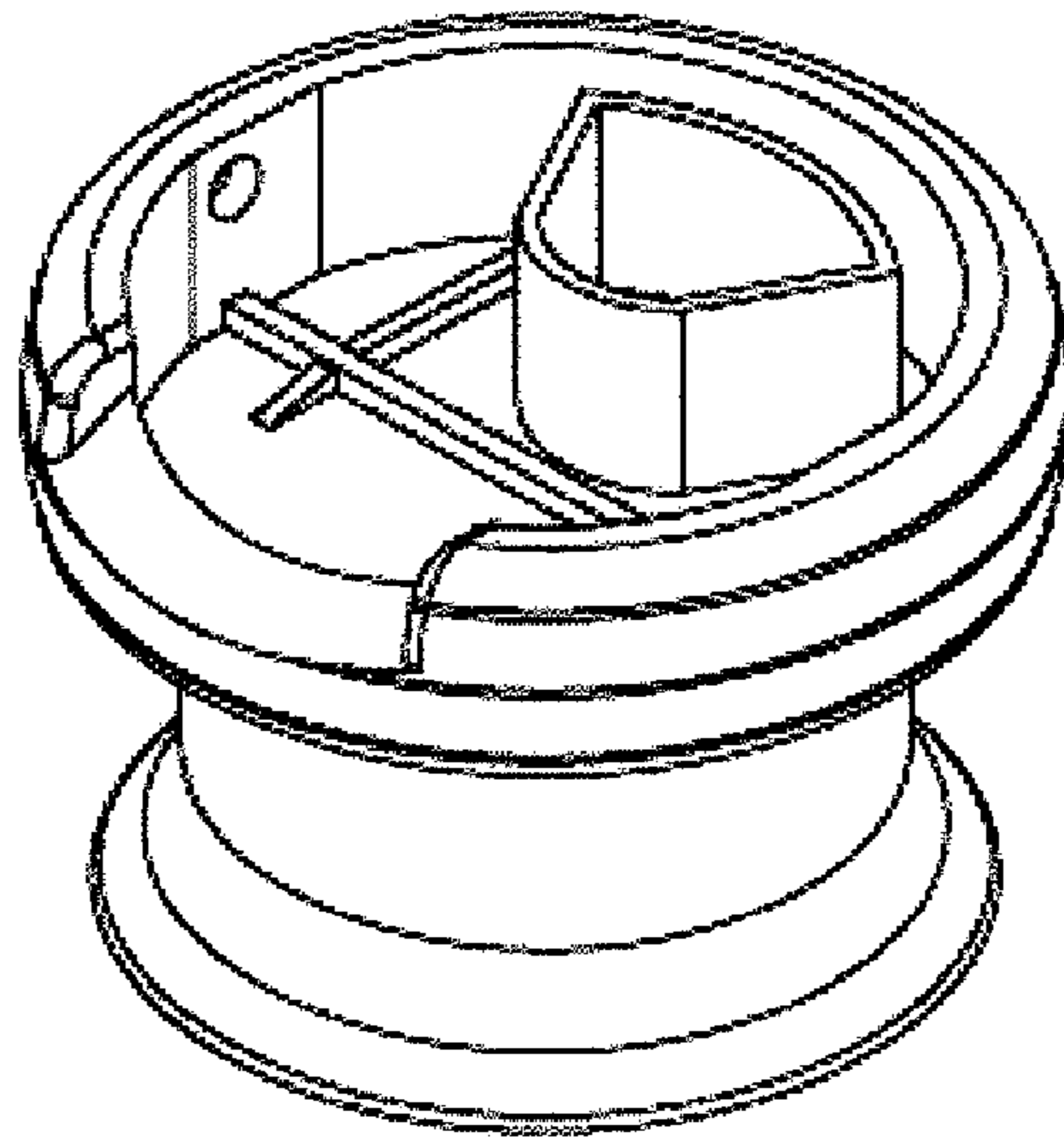


FIG. 1

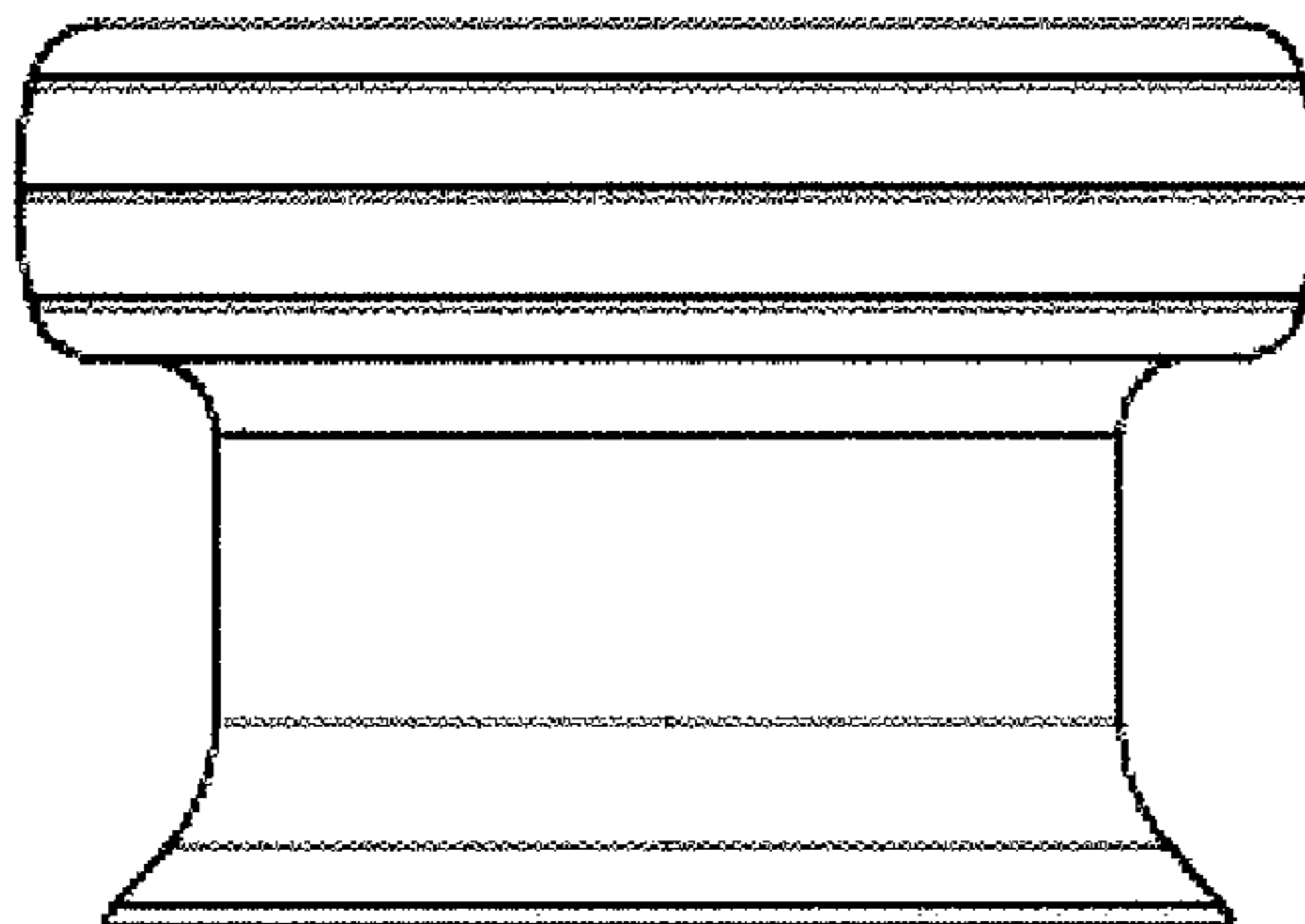


FIG. 2

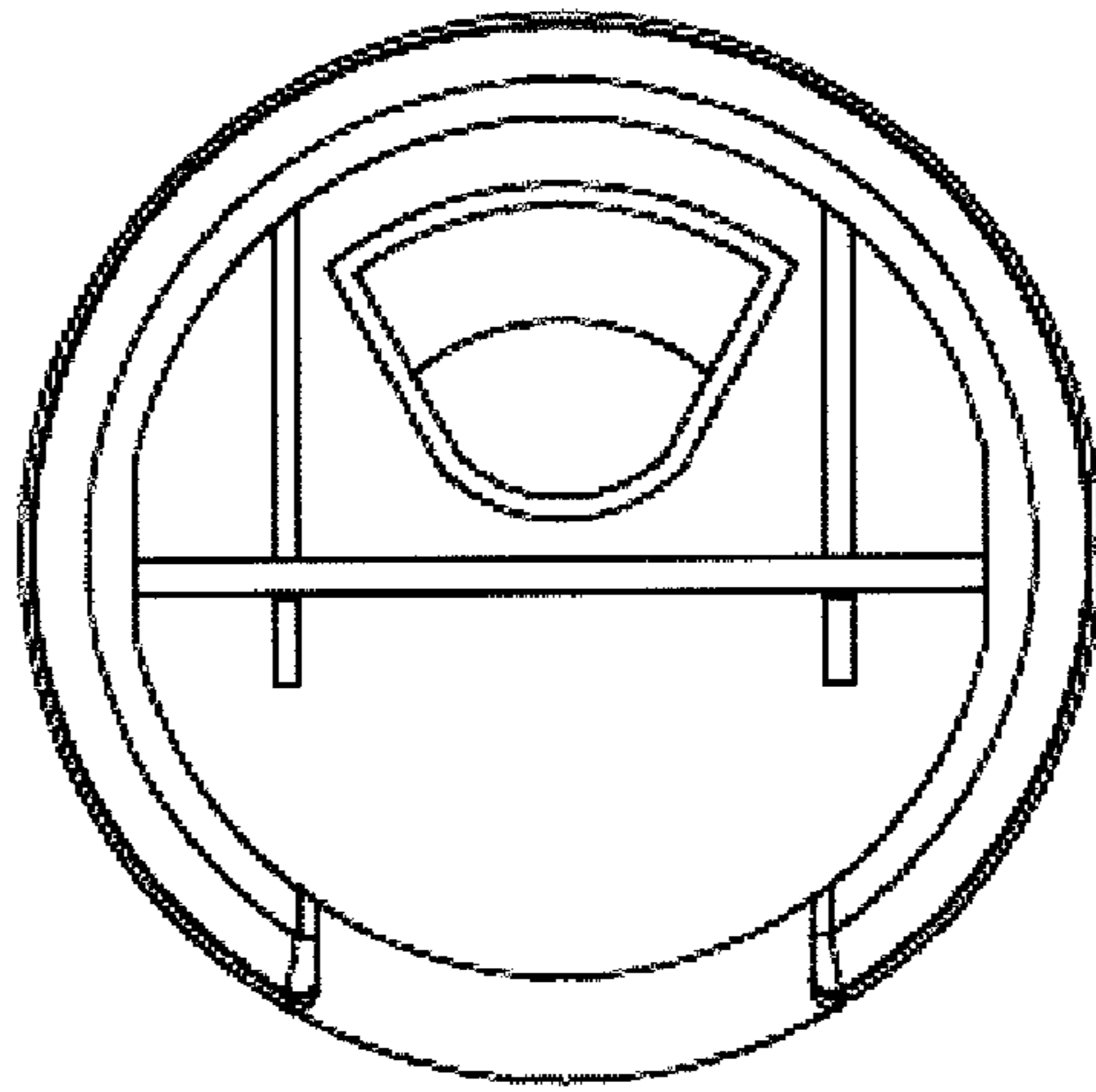


FIG. 3

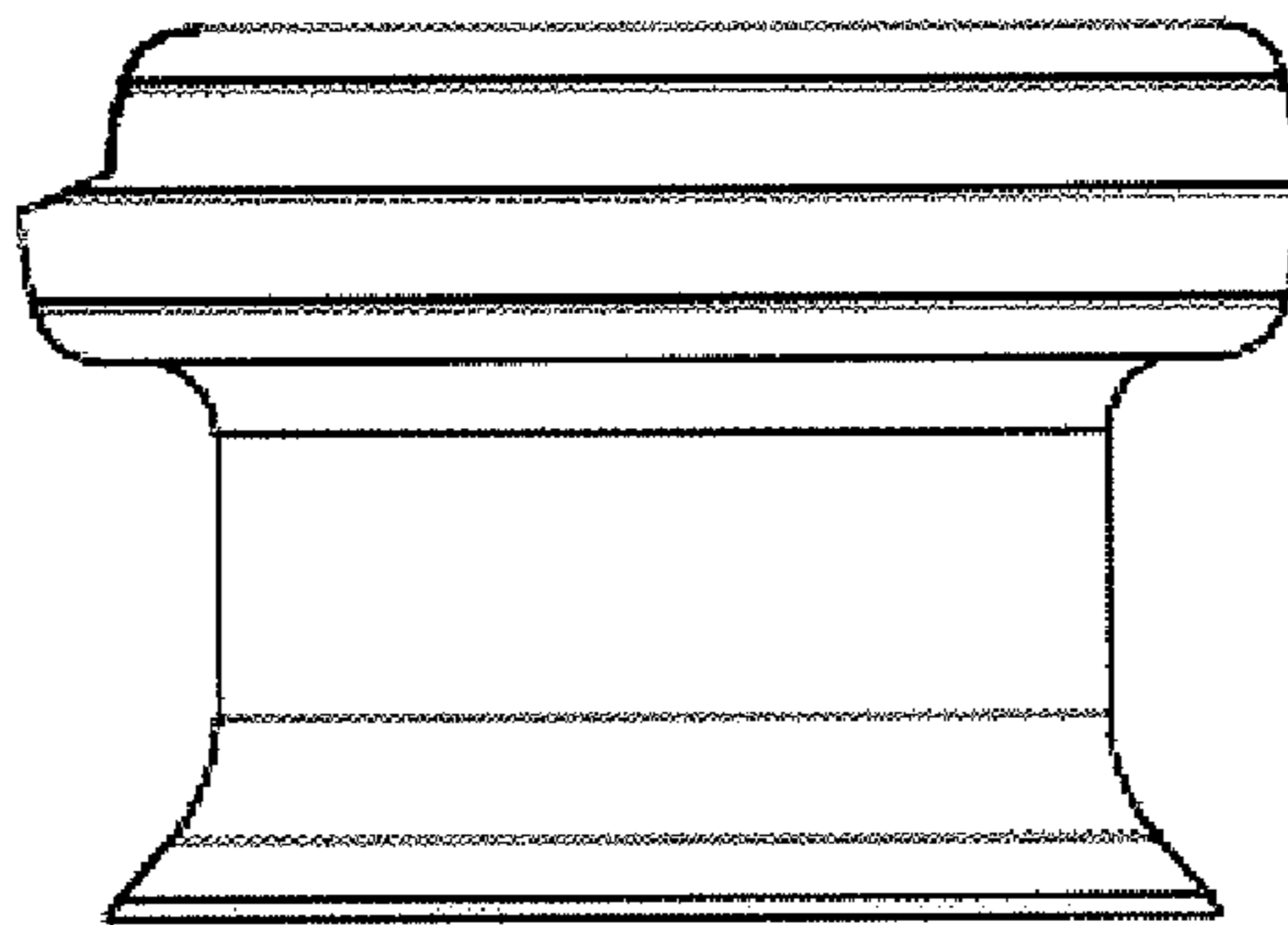


FIG. 4

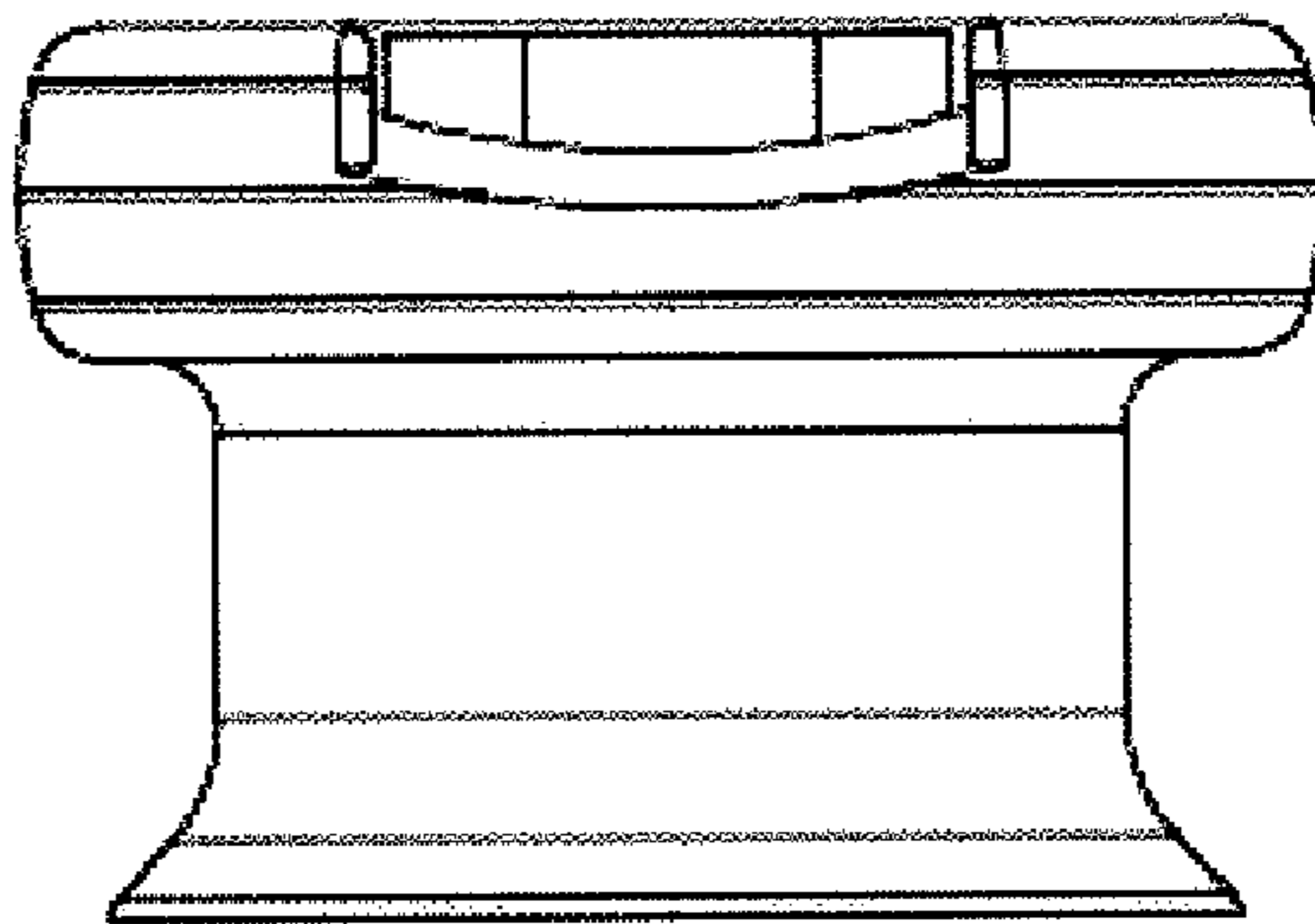


FIG. 5