



US00D605508S

(12) **United States Design Patent**  
**Chen**

(10) **Patent No.:** **US D605,508 S**

(45) **Date of Patent:** **\*\* Dec. 8, 2009**

(54) **ROLL UP BAG CARRIER**

(75) Inventor: **Johnny Chen**, Vernon, CT (US)

(73) Assignee: **Changle Xinfan Textile USA, LLC**,  
Vernon, CT (US)

(\*\*) Term: **14 Years**

(21) Appl. No.: **29/334,854**

(22) Filed: **Apr. 2, 2009**

(51) **LOC (9) Cl.** ..... **09-07**

(52) **U.S. Cl.** ..... **D9/434**

(58) **Field of Classification Search** ..... D9/732,  
D9/624, 455, 443, 434, 415; D8/394; D7/619.1,  
D7/536, 396.2, 392.1, 387, 319, 317; D20/28,  
D20/18; D19/20; 40/324, 310; 294/312.2,  
294/27.1; 222/1; 220/759, 742, 737, 710.5  
See application file for complete search history.

(56) **References Cited**

**U.S. PATENT DOCUMENTS**

1,637,120	A *	7/1927	Larson	.....	38/95
4,262,385	A *	4/1981	Norman	.....	16/411
5,163,608	A *	11/1992	Block	.....	229/92.8
5,356,190	A *	10/1994	Torres	.....	294/171
5,487,582	A *	1/1996	Bourgeois et al.	.....	294/146
D370,110	S *	5/1996	Beam	.....	D34/27
5,803,522	A *	9/1998	Lisbon	.....	294/171
5,927,524	A *	7/1999	Miller	.....	215/11.6
6,056,344	A *	5/2000	Forsyth	.....	294/171
D426,707	S *	6/2000	Huang et al.	.....	D3/327
D448,663	S *	10/2001	Raftree	.....	D9/434
6,554,033	B2 *	4/2003	Hydon	.....	150/155
2007/0068944	A1 *	3/2007	McKinney et al.	.....	220/256.1

\* cited by examiner

*Primary Examiner*—Susan Bennett Hattan

(74) *Attorney, Agent, or Firm*—Michael J. Buchenhorner

(57) **CLAIM**

The ornamental design for a roll up bag carrier, as shown and described.

**DESCRIPTION**

FIG. 1 is a front perspective view of the roll up bag carrier in the closed position, showing my new design;

FIG. 2 is a front elevation view of the roll up bag carrier in the closed position;

FIG. 3 is a back elevation view of the roll up bag carrier in the closed position;

FIG. 4 is a side elevation view of the roll up bag carrier in the closed position;

FIG. 5 is an opposite side elevation view of the roll up bag carrier in the closed position;

FIG. 6 is an end elevation view of the roll up bag carrier in the closed position;

FIG. 7 is an end elevation view of the roll up bag carrier in the open position;

FIG. 8 is a perspective view of the roll up bag carrier in use as a handle;

FIG. 9 is a front perspective view of the roll up bag carrier in use as a handle for carrying an unrolled bag, as shown; and,

FIG. 10 is a front perspective view of the roll up bag carrier with the bag shown in FIG. 9 rolled up and removably internested within the carrier for transporting the bag.

The broken lines in the drawings depict environmental subject matter only and form no part of the claimed design.

**1 Claim, 7 Drawing Sheets**

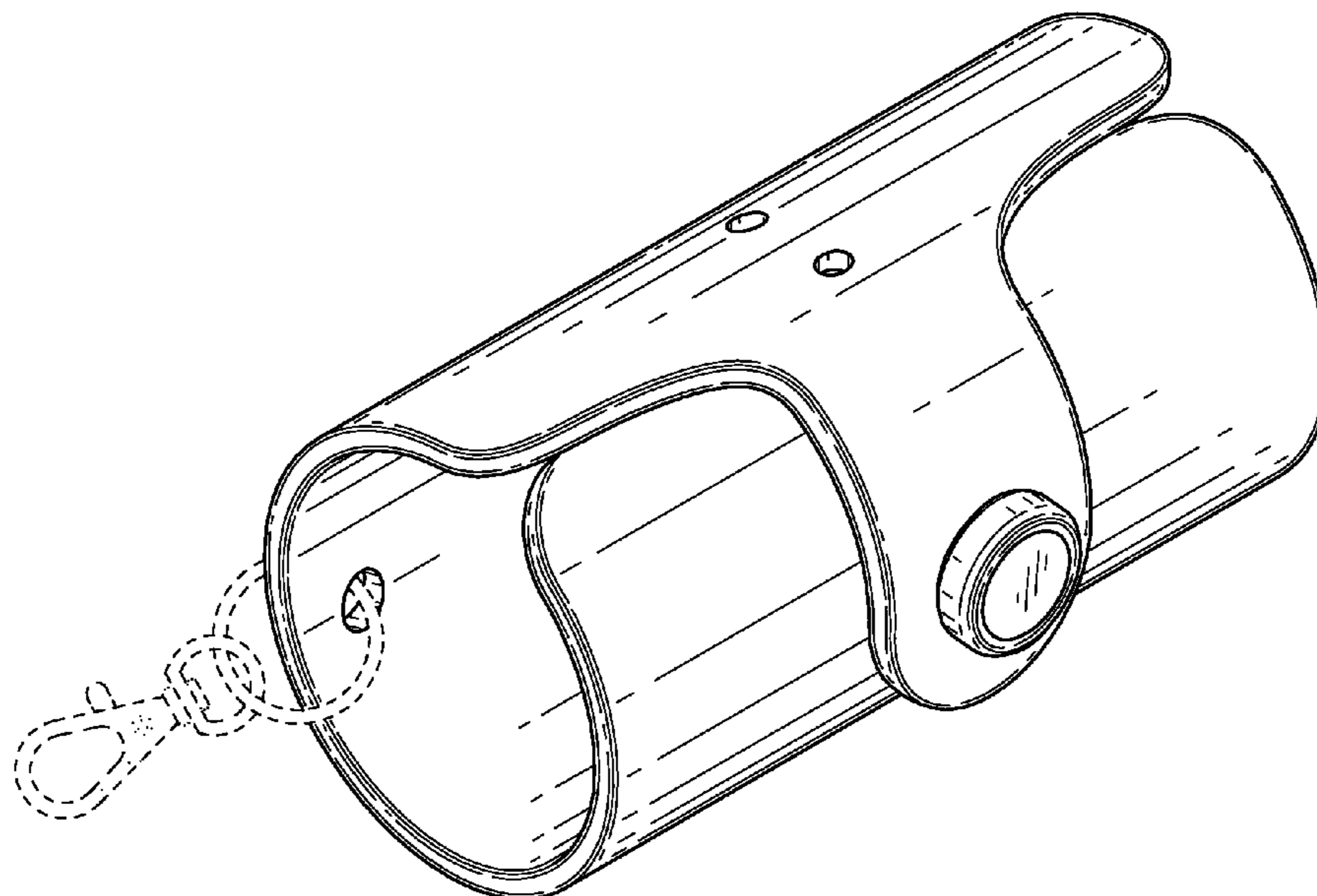


FIG. 1

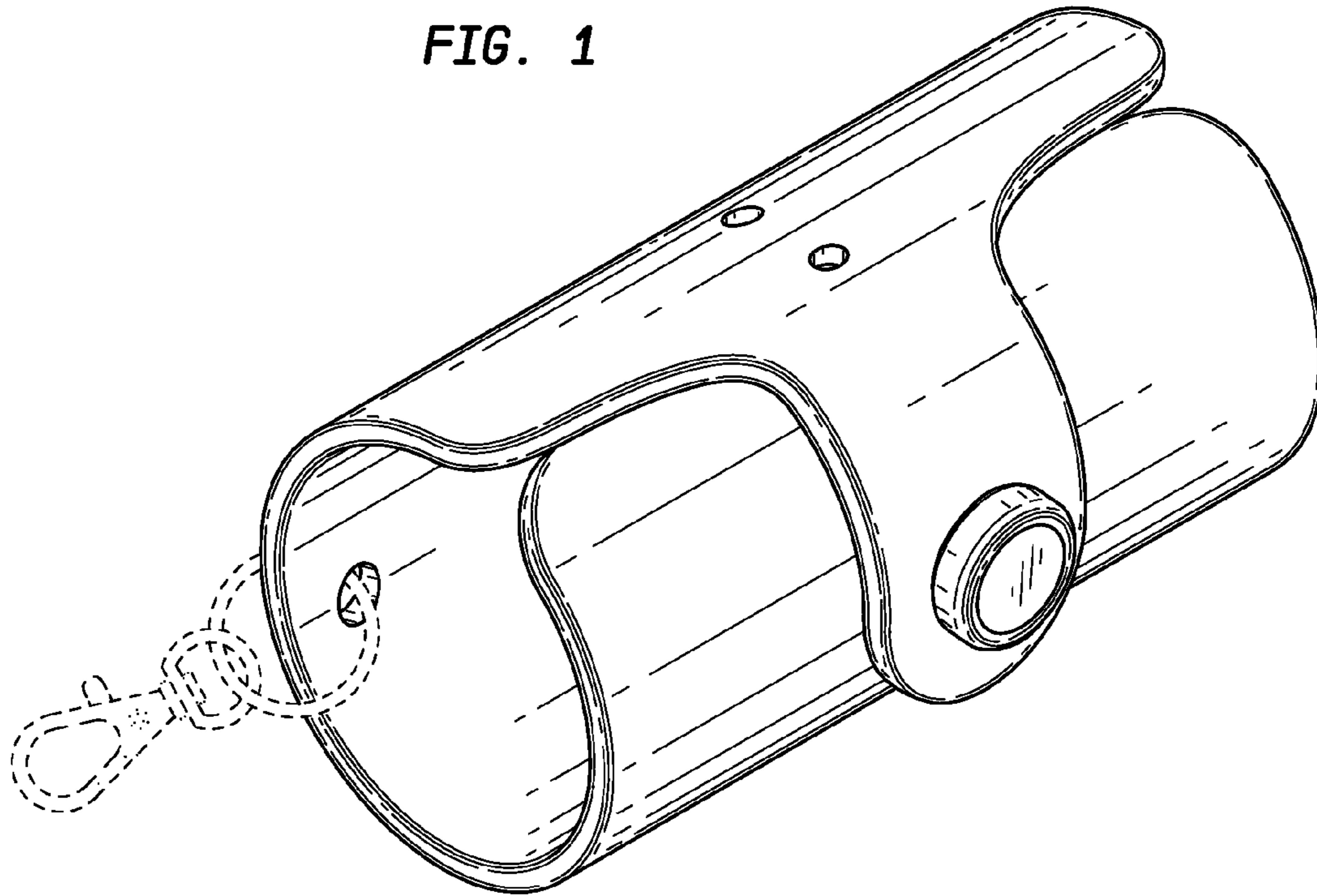


FIG. 2

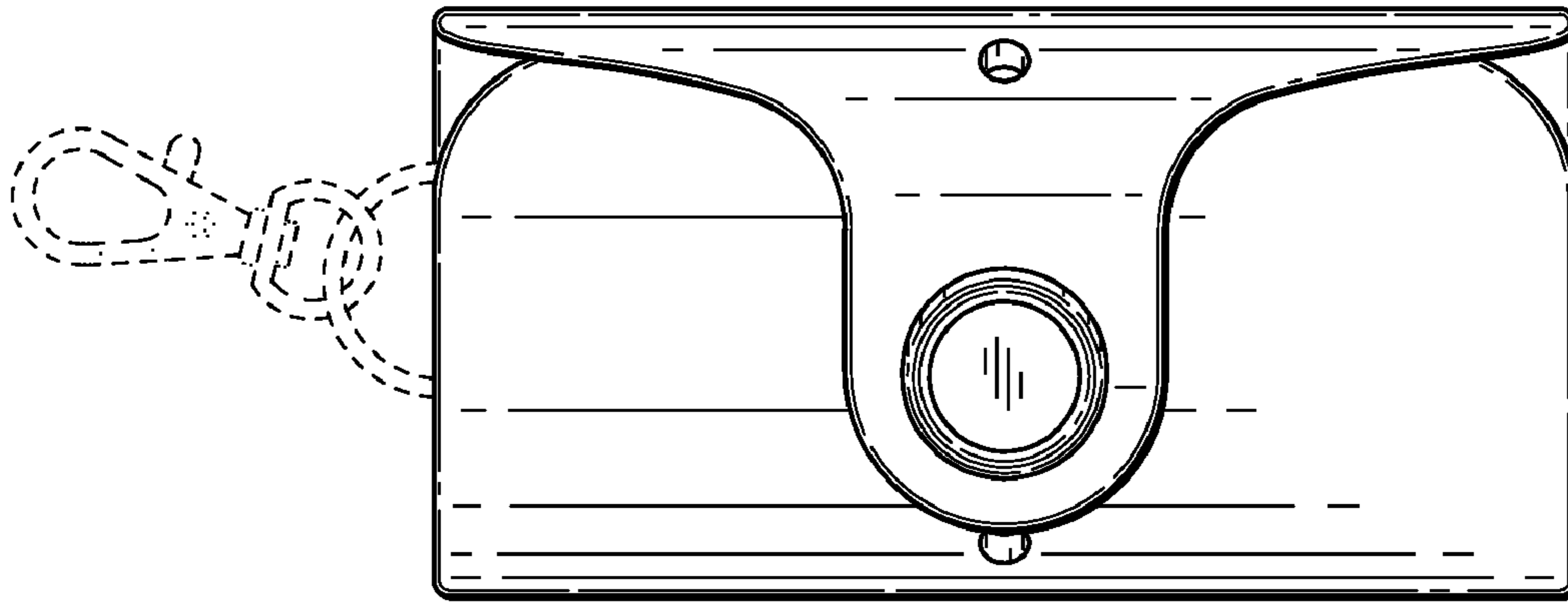
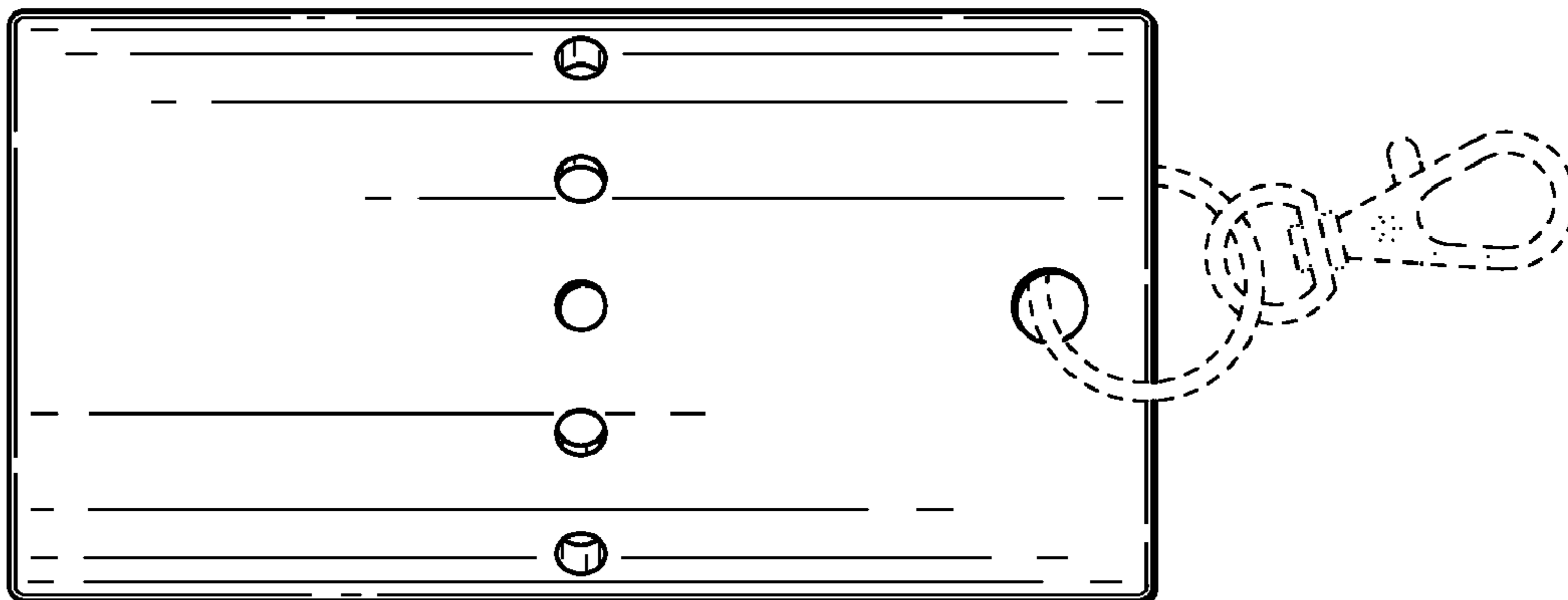
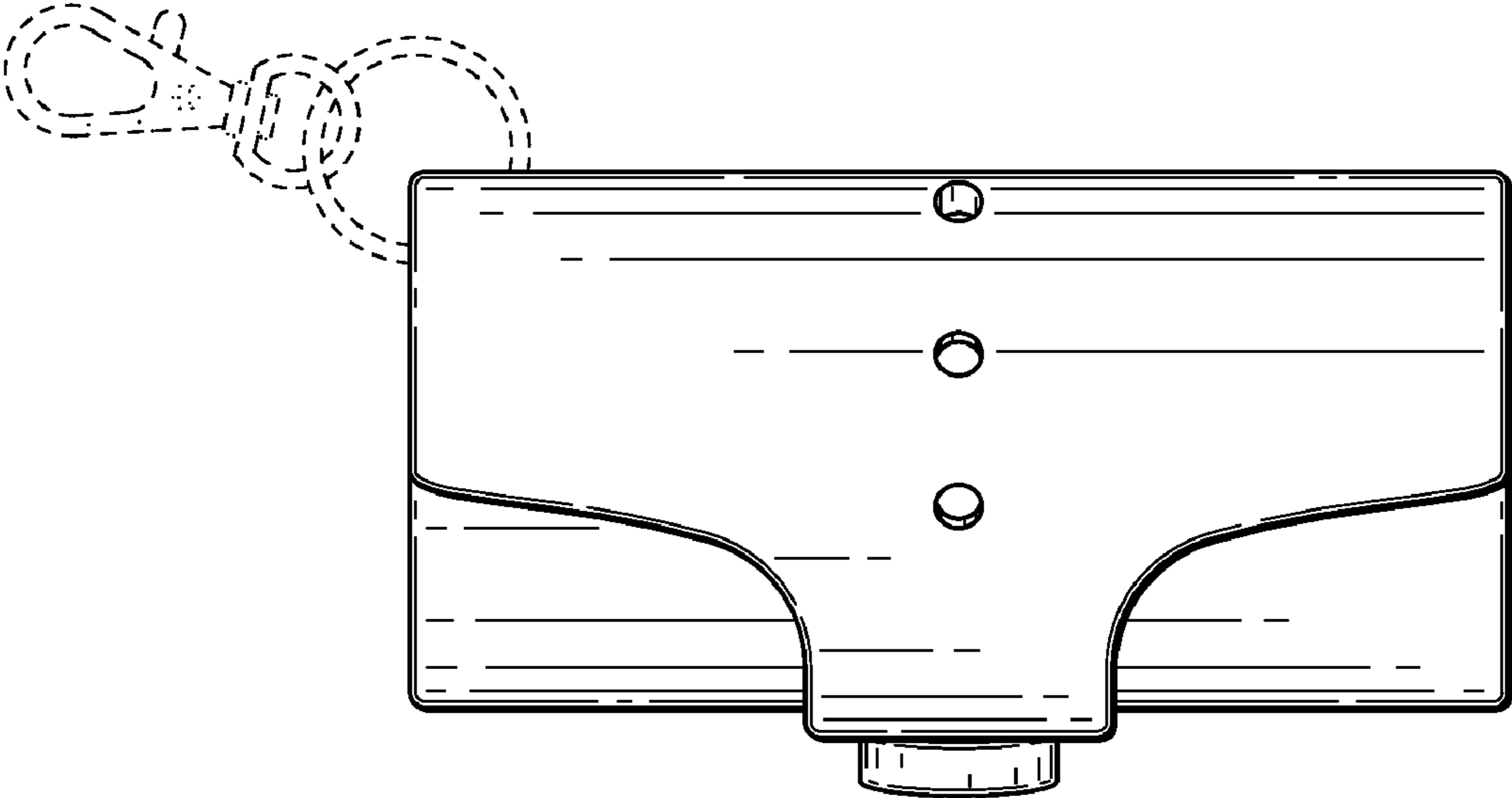


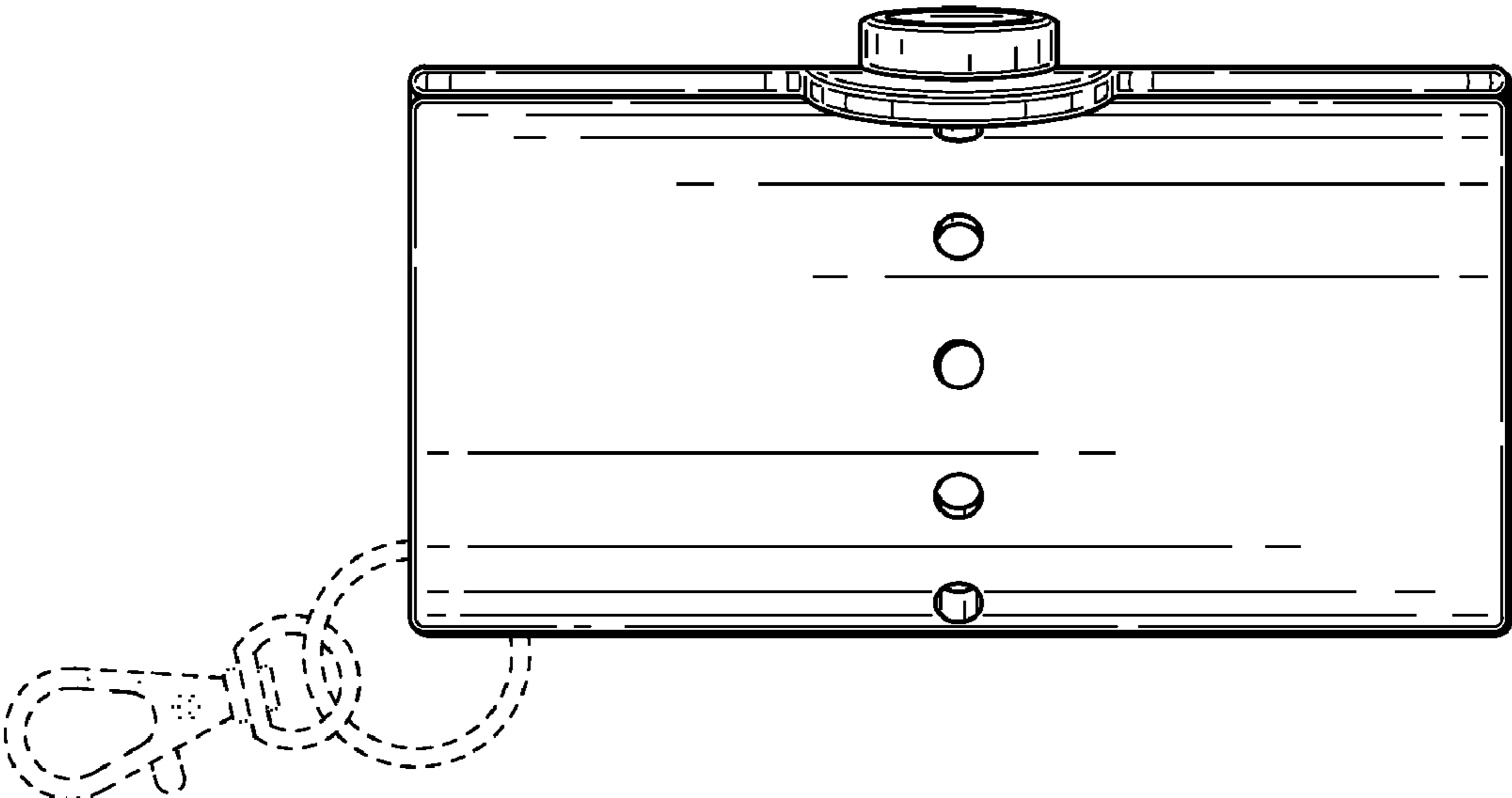
FIG. 3



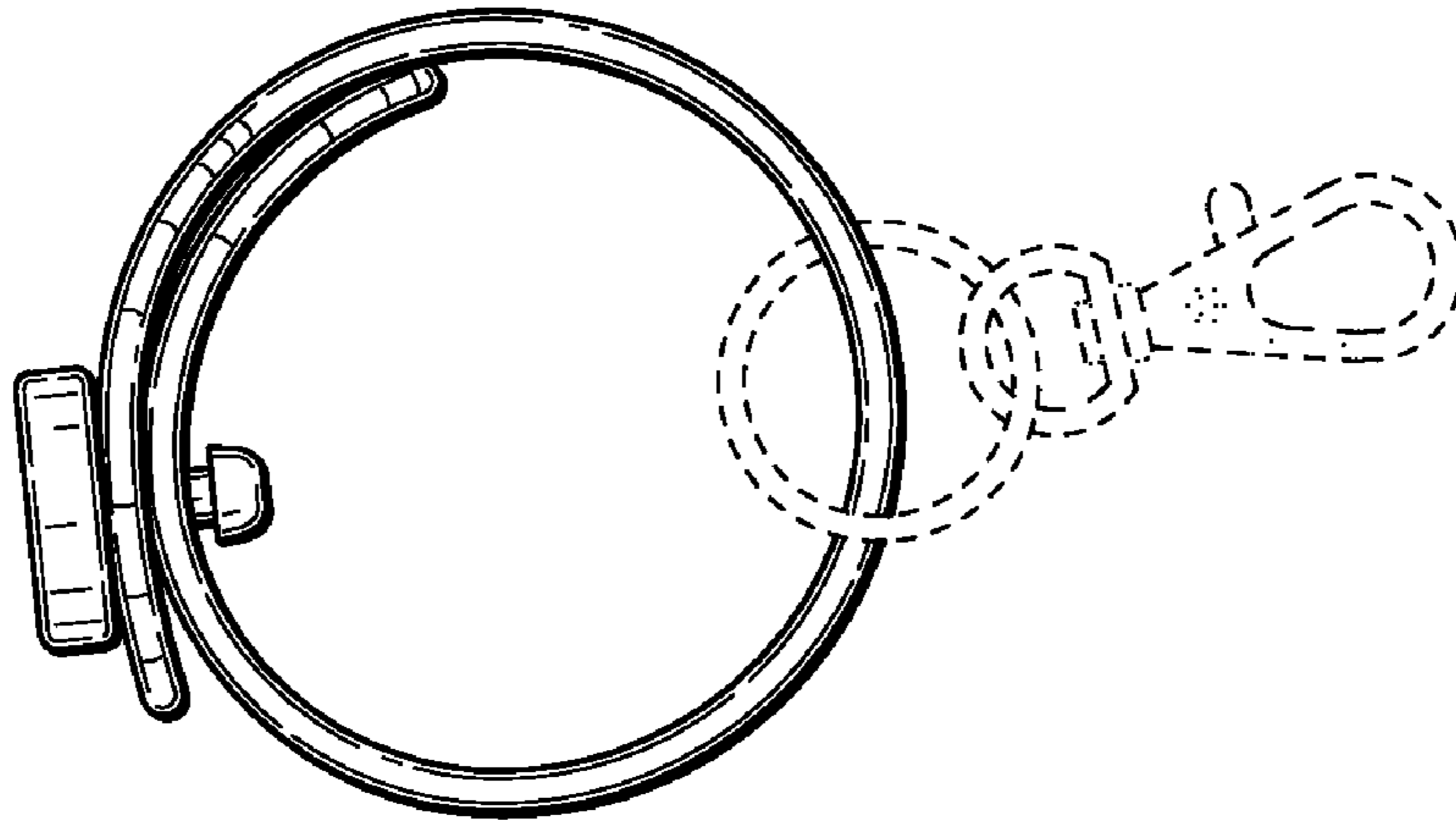
**FIG. 4**



**FIG. 5**



**FIG. 6**



**FIG. 7**

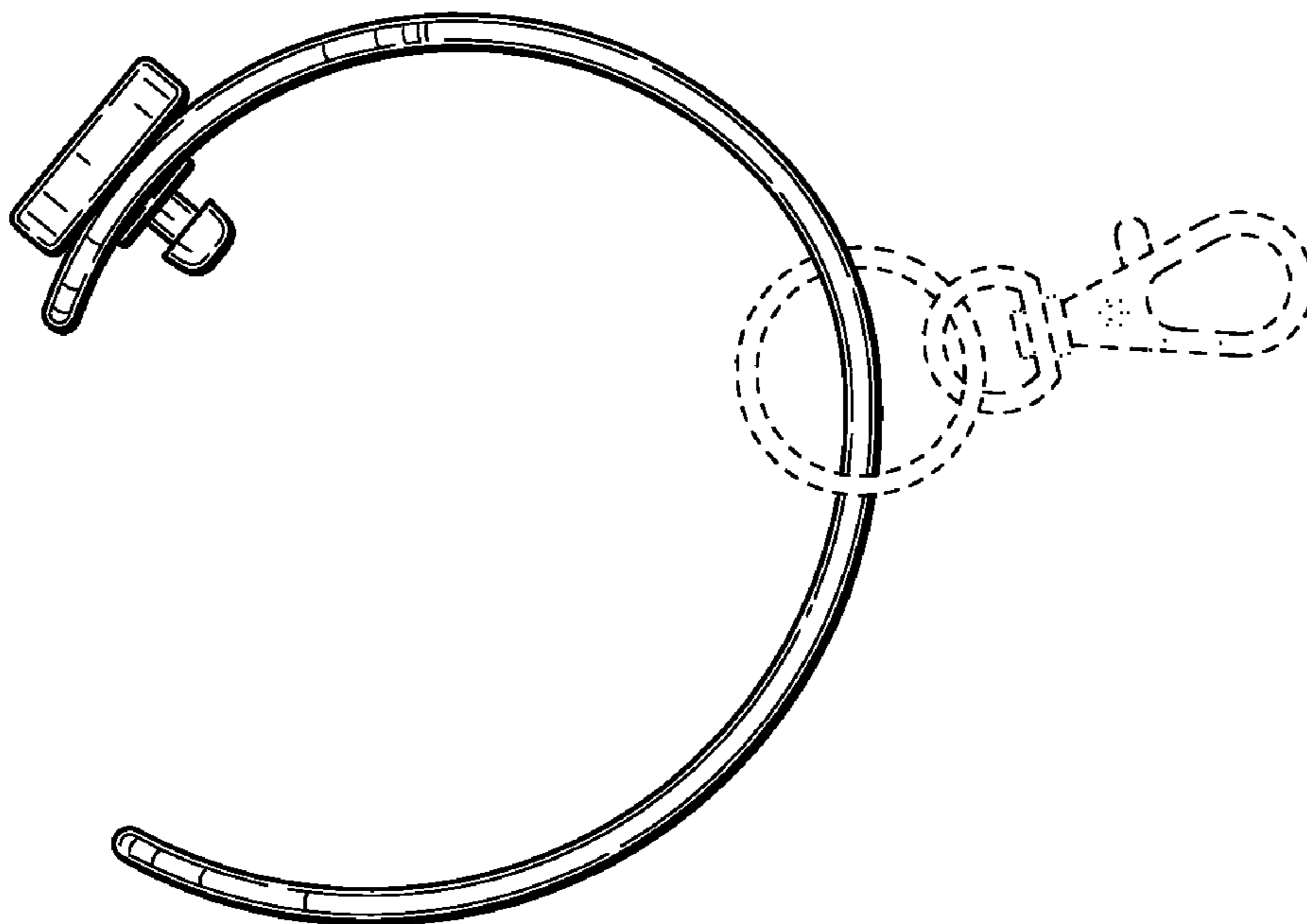
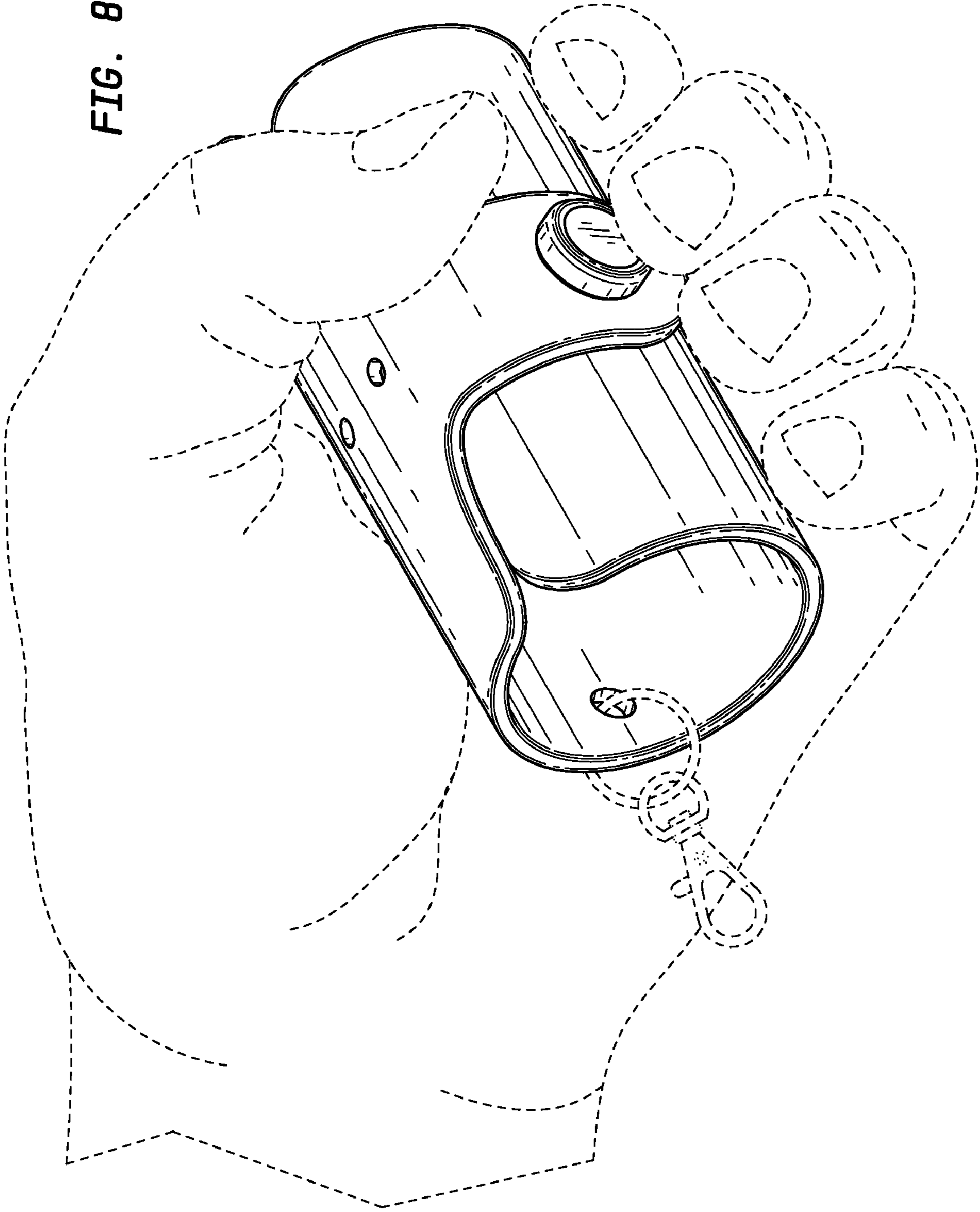


FIG. 8



**FIG. 9**

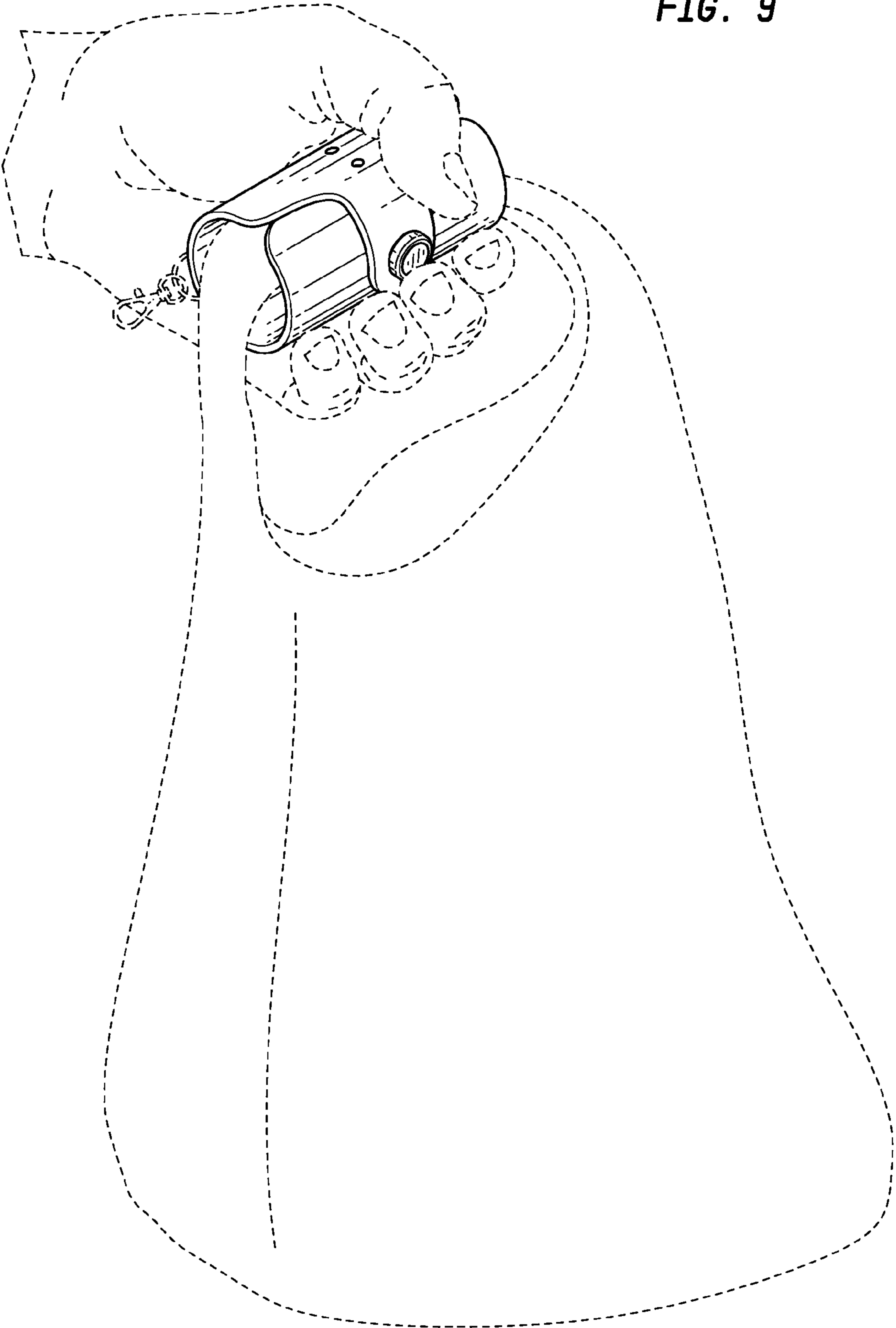


FIG. 10

