



US00D605503S

(12) **United States Design Patent**
Krause

(10) **Patent No.:** **US D605,503 S**

(45) **Date of Patent:** **** *Dec. 8, 2009**

(54) **FLOOR-MOUNTED COIL STORAGE UNIT**

(75) Inventor: **Ernst Krause**, London (CA)

(73) Assignee: **Eastern Woods Engineering Professional Corporation** (CA)

(**) Term: **14 Years**

(21) Appl. No.: **29/255,895**

(22) Filed: **Mar. 13, 2006**

(30) **Foreign Application Priority Data**

Sep. 20, 2005 (CA) 112695

(51) **LOC (9) Cl.** **09-03**

(52) **U.S. Cl.** **D9/432**

(58) **Field of Classification Search** D8/105,
D8/107, 33, 349, 356, 358, 367, 373, 382,
D8/383; D13/147; D23/261; D26/38; 16/2.1;
174/153 G, 650, 656; 242/400.1, 405.1,
242/405.2, 600, 603, 916; 248/65, 74.4,
248/201, 214, 215, 229.26, 302, 304, 316.7,
248/316.8; 439/501, 535
See application file for complete search history.

(56) **References Cited**

U.S. PATENT DOCUMENTS

- 2,682,426 A * 6/1954 Staffe 410/49
- 3,014,577 A * 12/1961 Bruestle 206/408
- 3,476,260 A * 11/1969 Jay 206/503
- 3,829,148 A * 8/1974 Stoneburner 410/49
- 4,315,707 A * 2/1982 Fernbach 410/47
- 4,453,635 A * 6/1984 Heinzer et al. 206/408
- 4,623,063 A * 11/1986 Balkin 206/408
- 5,577,619 A * 11/1996 Callahan 211/13.1
- D394,377 S * 5/1998 Najewski et al. D8/354
- 5,826,721 A * 10/1998 Fujimoto et al. 206/389
- 5,927,915 A * 7/1999 Grove, Sr. 410/49

- 5,944,349 A * 8/1999 Bowling 280/789
- 5,954,465 A * 9/1999 Ellerbush 410/49
- 6,019,226 A * 2/2000 Zajdlik et al. 206/600
- 6,145,781 A * 11/2000 Kawabe et al. 242/588.6
- 6,431,372 B1 * 8/2002 Aoyama 211/59.4
- 6,481,575 B2 * 11/2002 Cipriani 206/408
- 7,070,459 B2 * 7/2006 Denovich et al. 439/719
- D559,082 S * 1/2008 Crooks D8/354
- 7,448,505 B2 * 11/2008 DeMent 211/59.4

FOREIGN PATENT DOCUMENTS

DK 000083019-0001 * 10/2003

OTHER PUBLICATIONS

Safety Supports, Inc. designs, Sep. 19, 2003.

* cited by examiner

Primary Examiner—T. Chase Nelson

Assistant Examiner—Karen Acker

(74) *Attorney, Agent, or Firm*—Waddey & Patterson, P.C.;
Emily A. Shouse

(57) **CLAIM**

I claim the ornamental design for a floor mounted coil storage unit, as shown and described.

DESCRIPTION

FIG. 1 is a top view of the floor mounted coil storage unit.

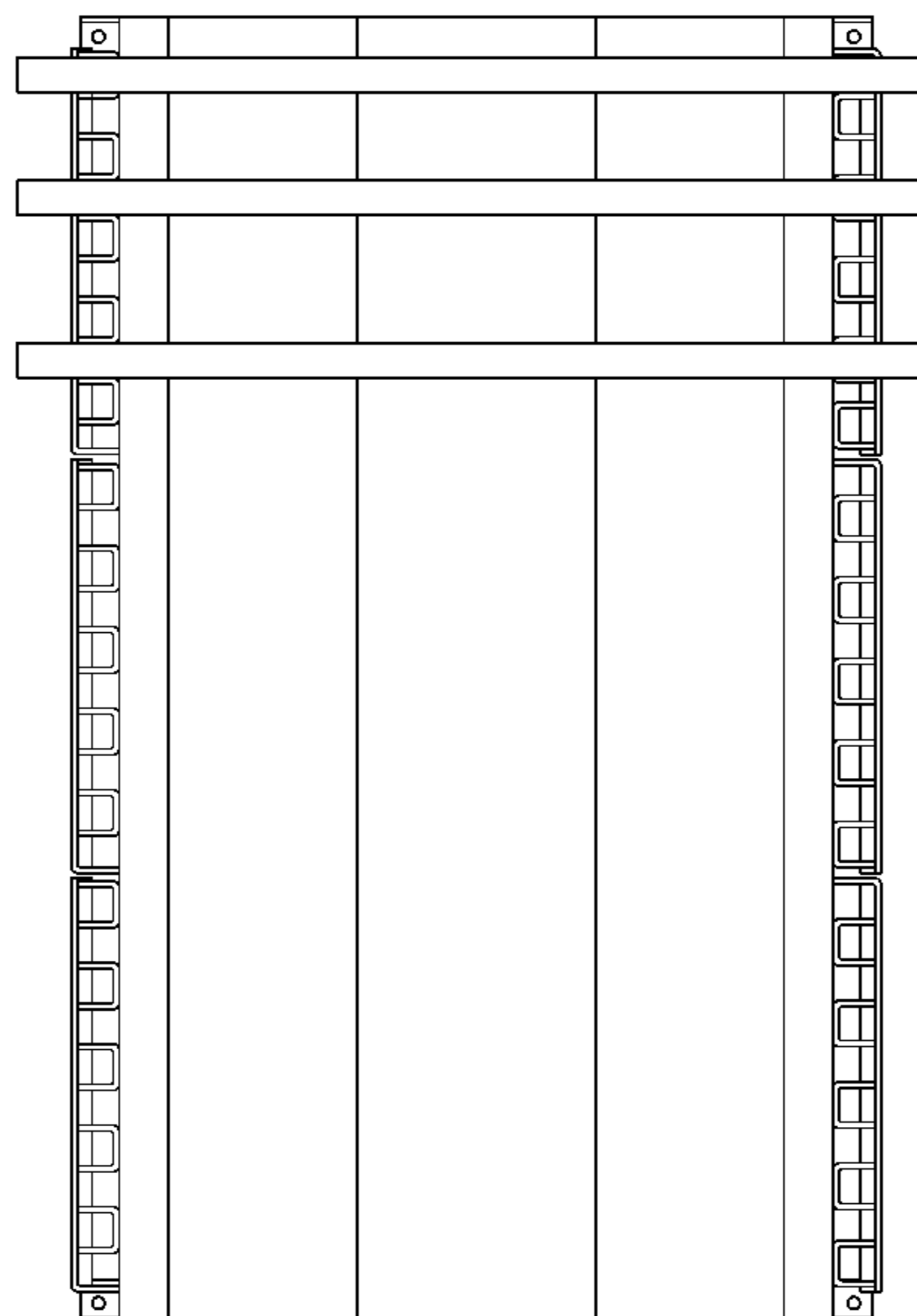
FIG. 2 is a front view of the floor mounted coil storage unit. The back view is a mirror image.

FIG. 3 is a right side view of the floor mounted coil storage unit. The left side view is a mirror image.

FIG. 4 is a bottom view of the floor mounted coil storage unit; and,

FIG. 5 is a perspective view of the floor mounted coil storage unit.

1 Claim, 5 Drawing Sheets



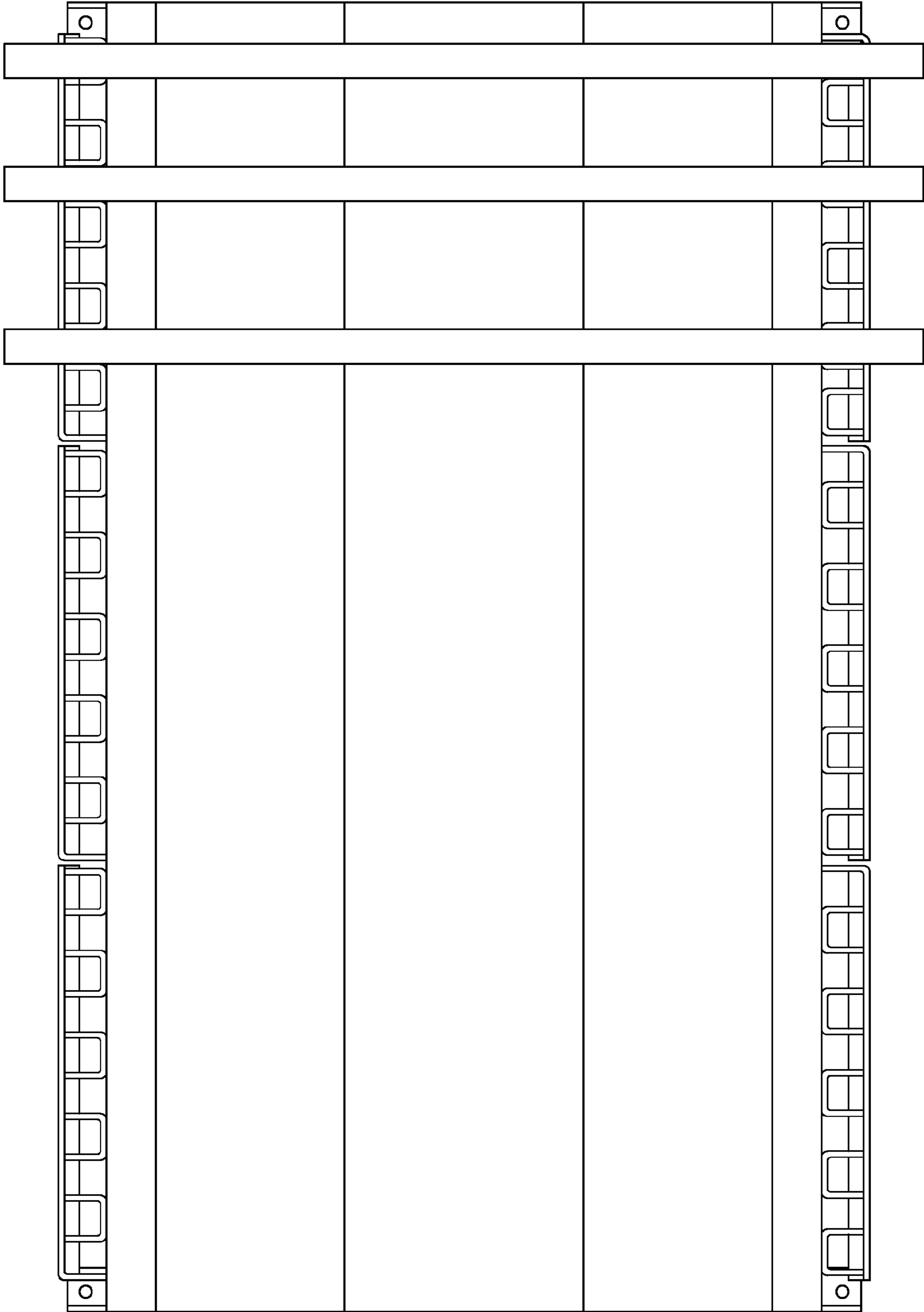


FIG. 1

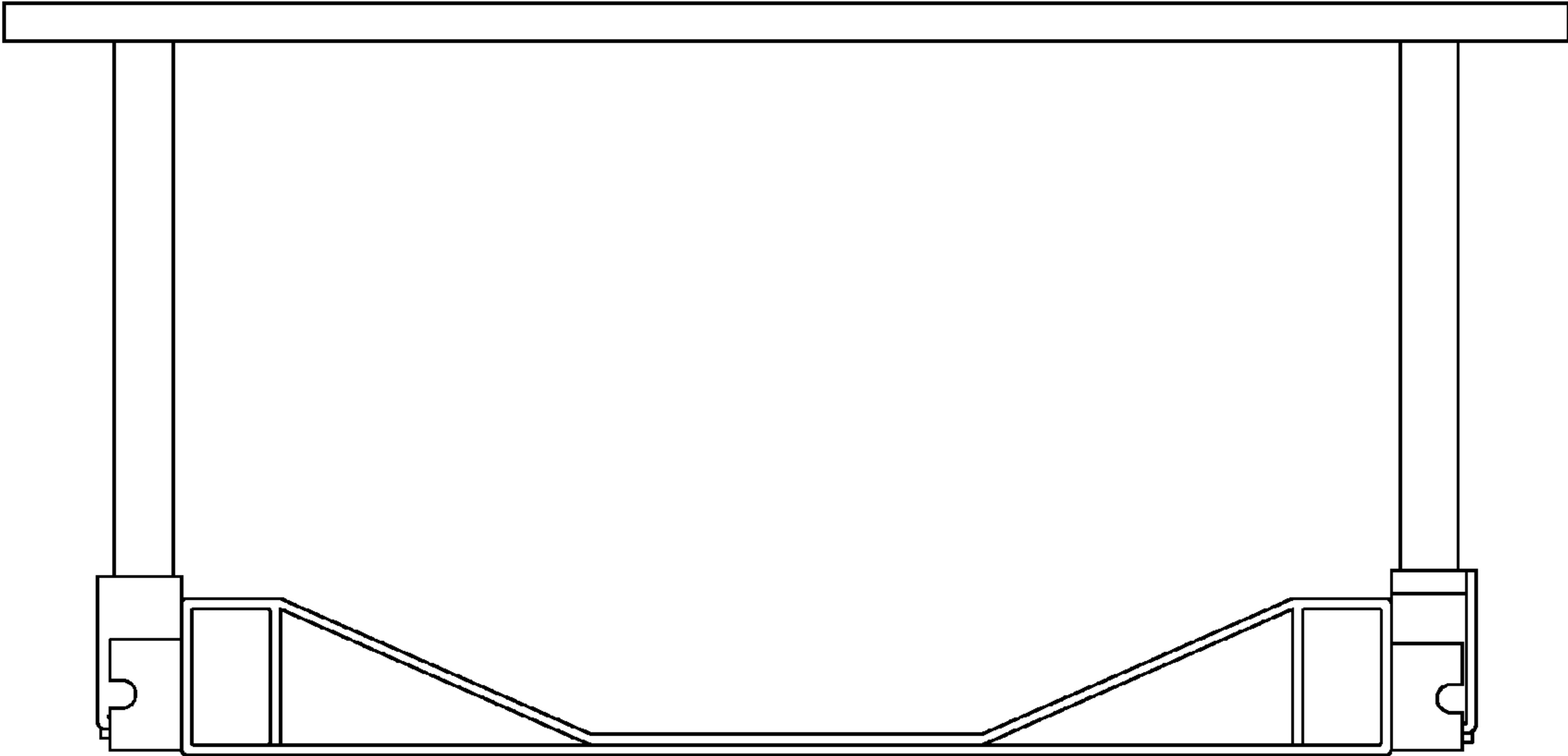


FIG. 2

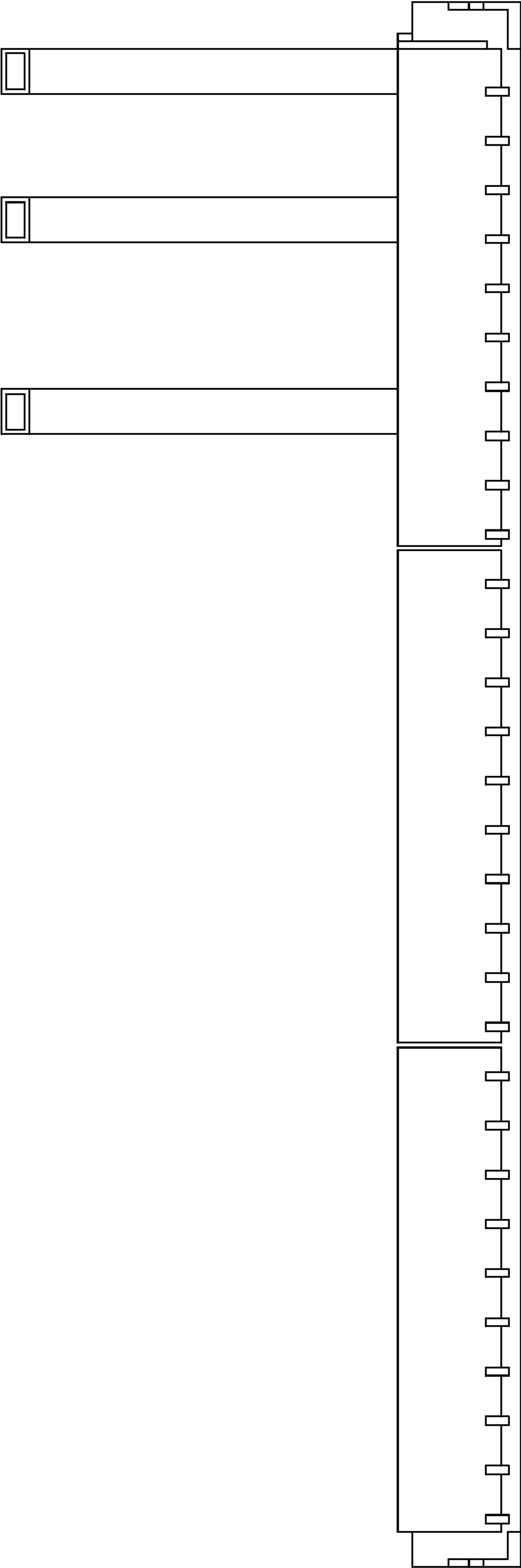


FIG. 3

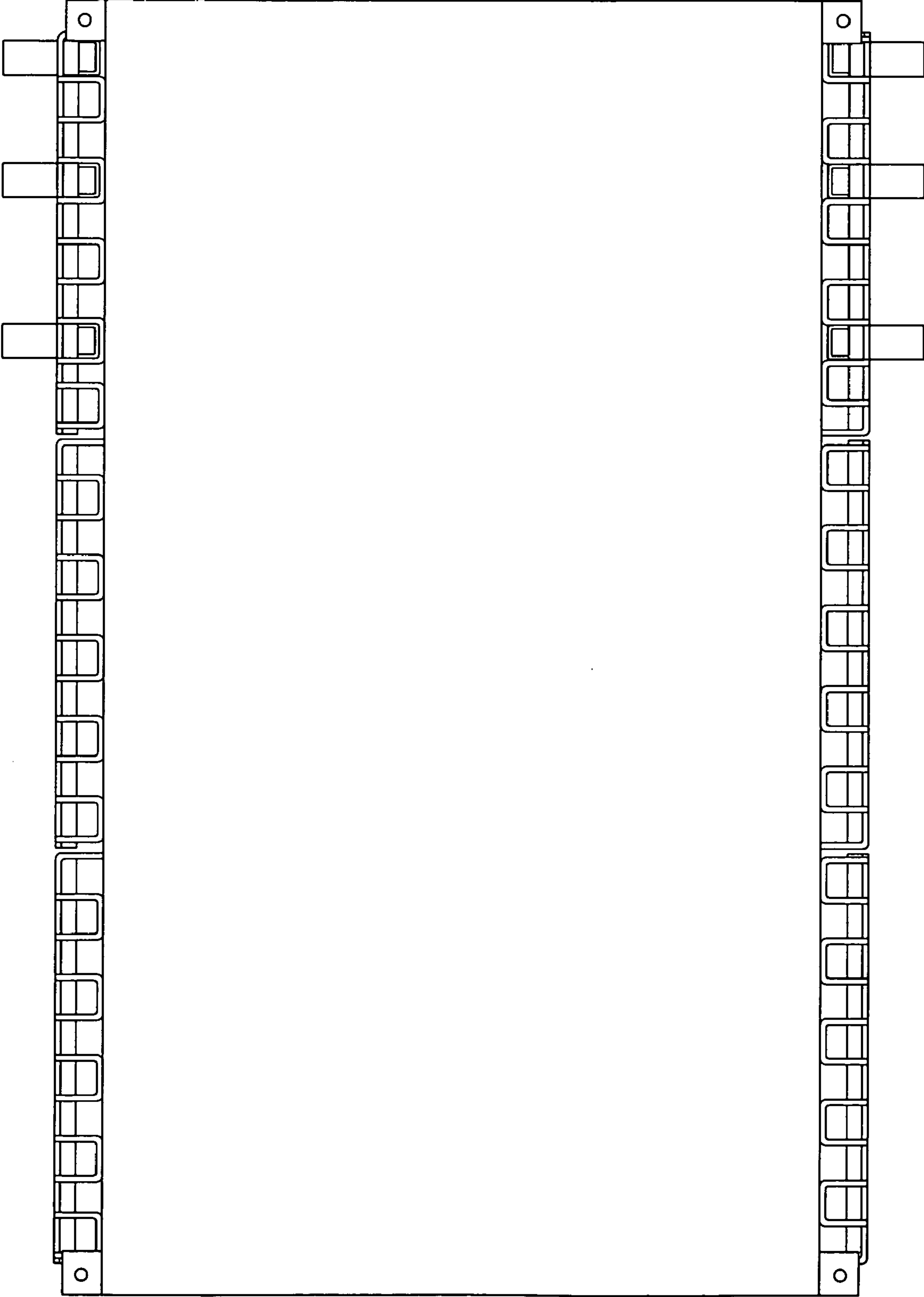


FIG. 4

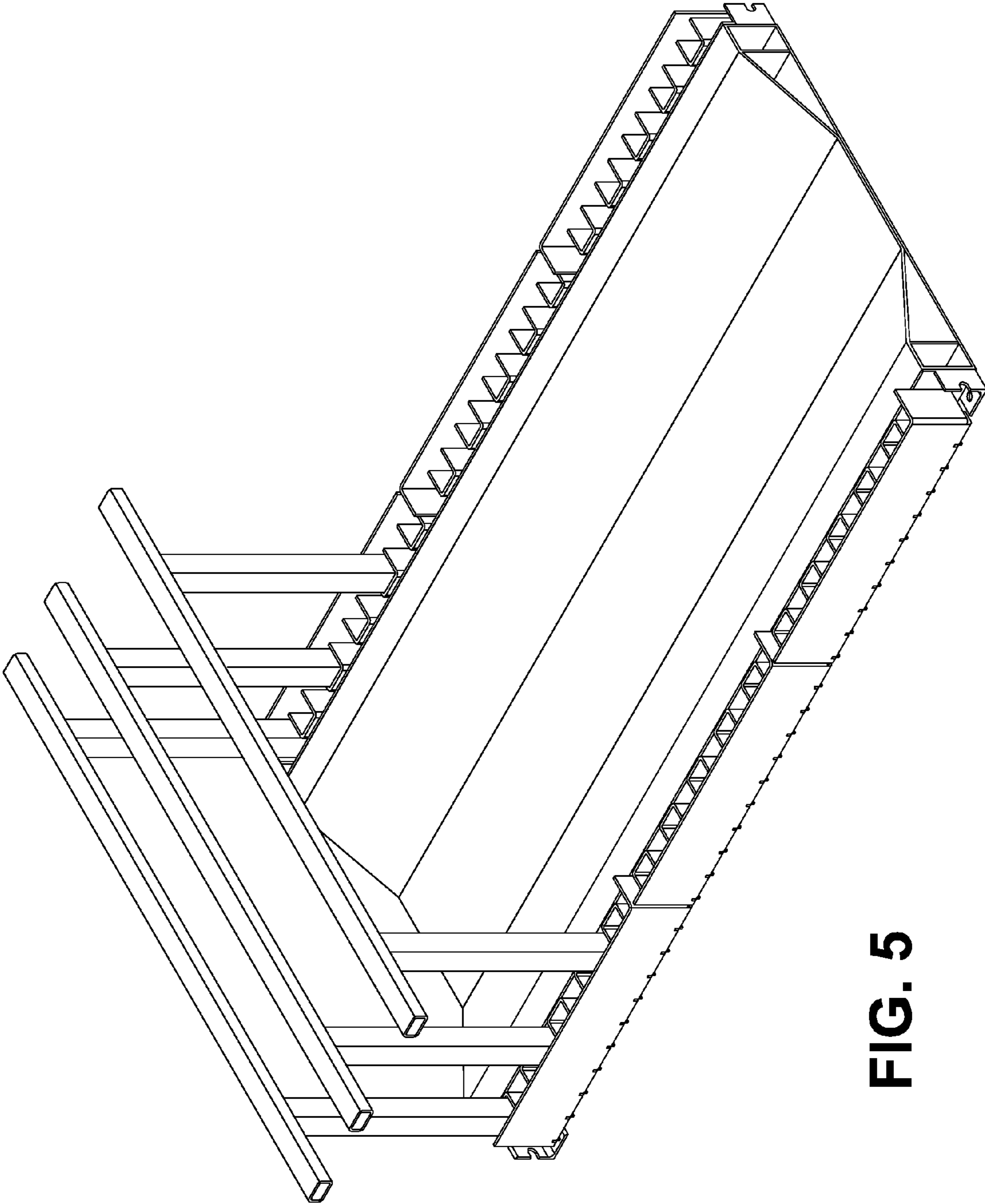


FIG. 5