



US00D605501S

(12) **United States Design Patent**
Pham et al.

(10) **Patent No.:** **US D605,501 S**
(45) **Date of Patent:** **** Dec. 8, 2009**

(54) **DISPLAY CONTAINER**

(75) Inventors: **Steven Pham**, Naugatuck, CT (US);
Bruce Stein, Easton, CT (US)

(73) Assignee: **Inline Plastics Corporation**, Shelton,
CT (US)

(**) Term: **14 Years**

(21) Appl. No.: **29/312,832**

(22) Filed: **Nov. 14, 2008**

(51) **LOC (9) Cl.** **09-03**

(52) **U.S. Cl.** **D9/425**

(58) **Field of Classification Search** D6/432,
D6/475, 449, 396, 397; D99/34-35; D3/294,
D3/901; D28/73, 82; D7/601, 612, 590,
D7/603, 629; D9/504, 516, 519, 520, 545,
D9/549, 453, 559, 421, 425, 454, 414, 415,
D9/424, 426, 428; 220/602, 810, 315, 324,
220/326, 633, 662, 376; 215/382, 383, 370,
215/379, 400; D17/22, 99

See application file for complete search history.

(56) **References Cited**

U.S. PATENT DOCUMENTS

D354,680 S * 1/1995 Chen D9/428
D359,234 S * 6/1995 Amin D9/428
D376,958 S * 12/1996 Blanc D7/612
D472,805 S * 4/2003 Jowett D9/428

D474,965 S * 5/2003 Westphal D9/428
D482,278 S * 11/2003 Westphal D9/428
D493,105 S * 7/2004 Childs et al. D9/426
D497,548 S * 10/2004 Nordland D9/428
D499,645 S * 12/2004 Edwards D9/429
D524,153 S * 7/2006 Reinhard D9/428
D556,569 S * 12/2007 Stein et al. D9/428
D561,470 S * 2/2008 Jalet D3/294

* cited by examiner

Primary Examiner—Caron Veynar

Assistant Examiner—Abraham Bahta

(74) *Attorney, Agent, or Firm*—Melvin I. Stoltz

(57) **CLAIM**

The ornamental design for a display container, as shown and described.

DESCRIPTION

FIG. 1 is a top perspective view of the display container showing our new design;

FIG. 2 is a bottom perspective view thereof;

FIG. 3 is a top plan view thereof;

FIG. 4 is a bottom plan view thereof;

FIG. 5 is a front elevational view thereof;

FIG. 6 is a rear elevational view-thereof; and,

FIG. 7 is a side elevational view thereof, the opposite side being a mirror image thereof.

1 Claim, 4 Drawing Sheets

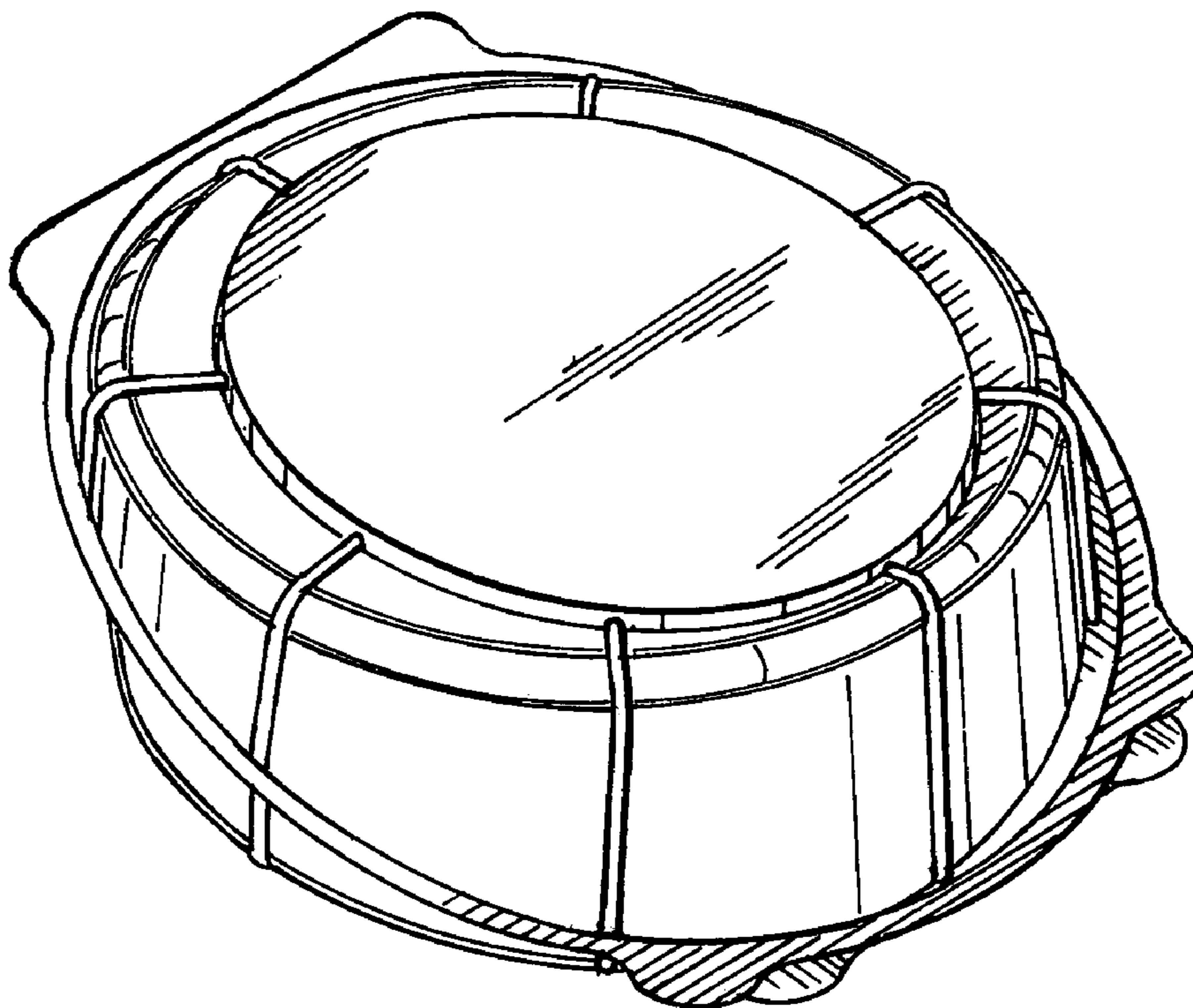


FIG. 1

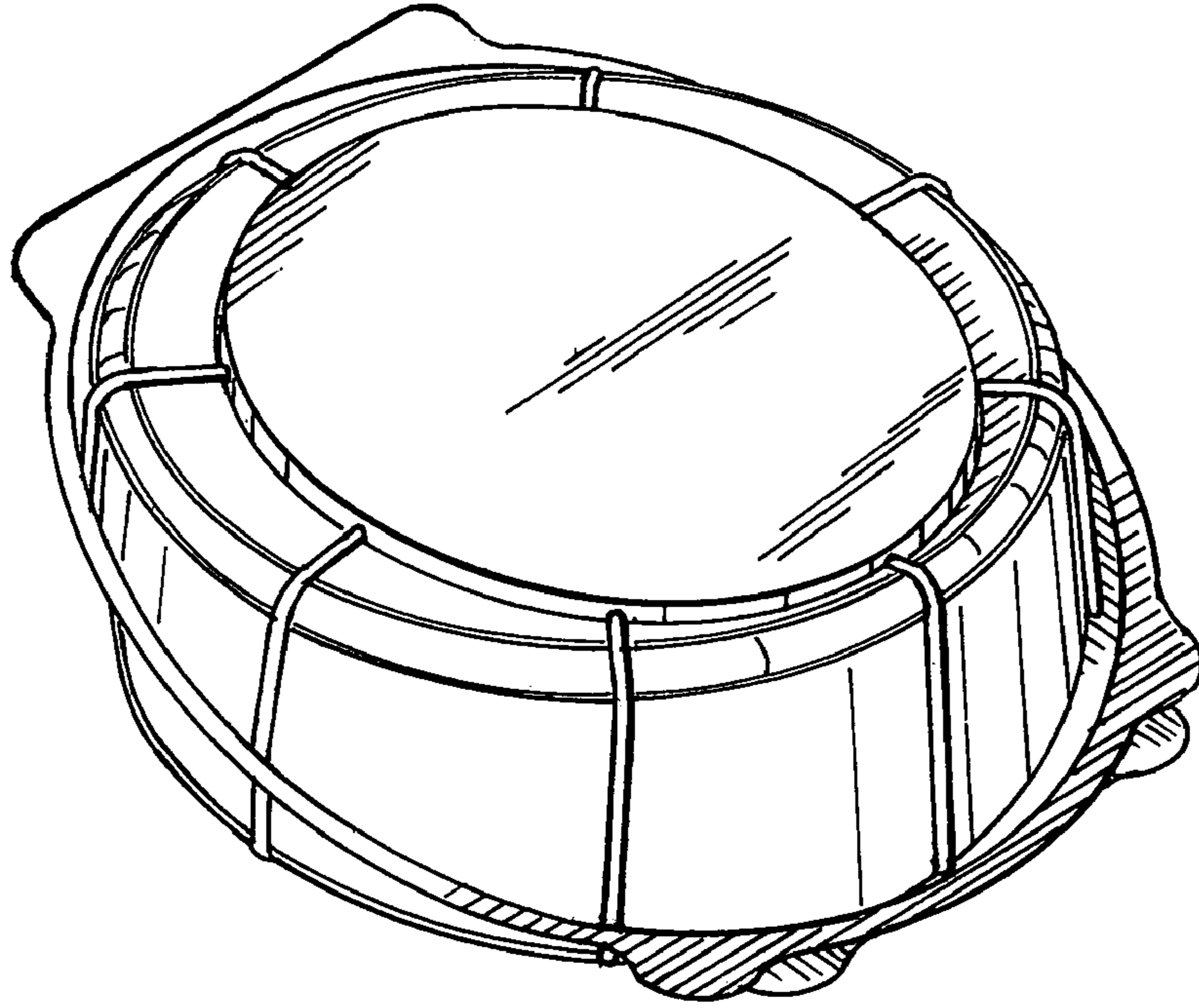


FIG. 2

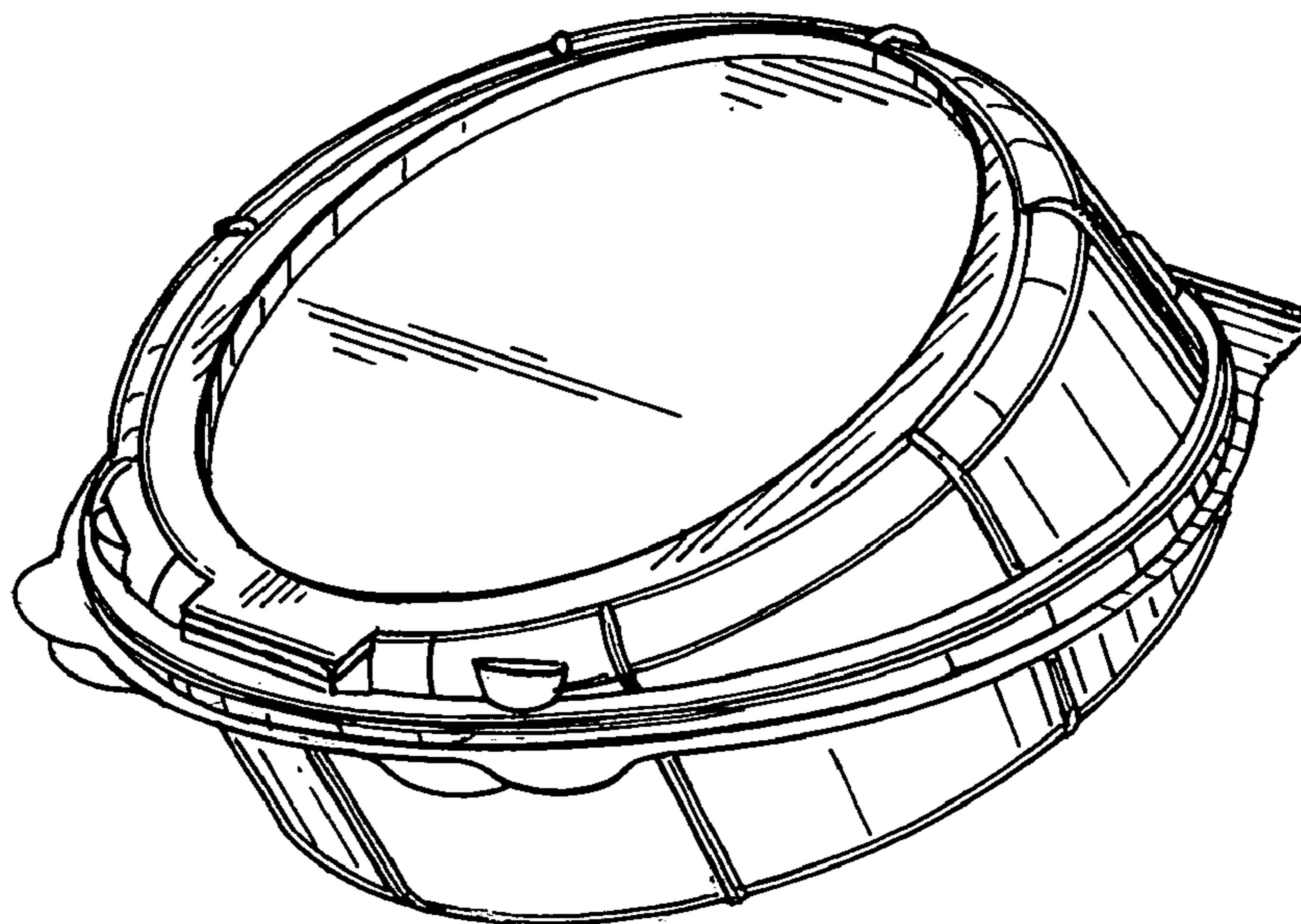


FIG. 3

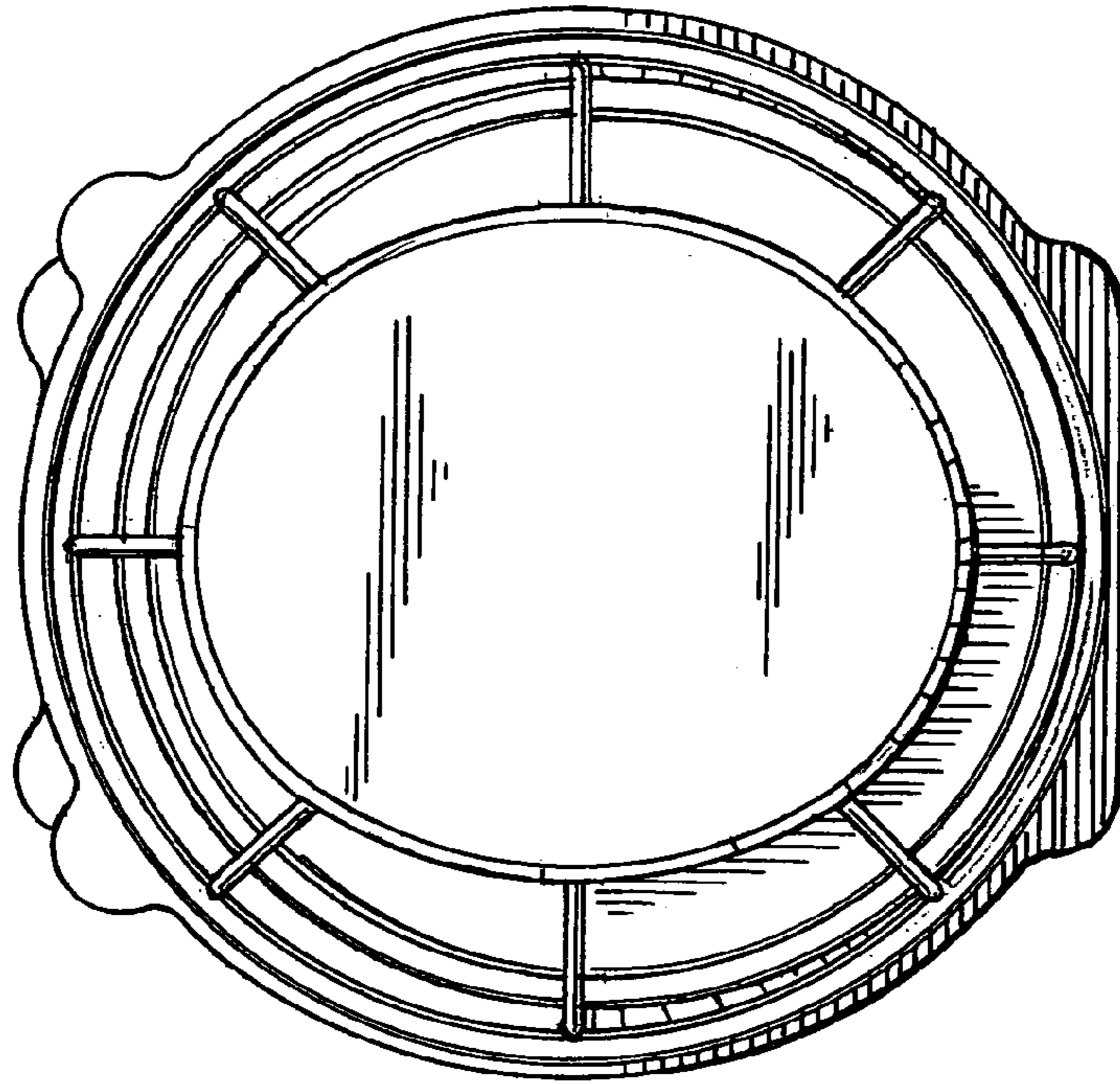


FIG. 4

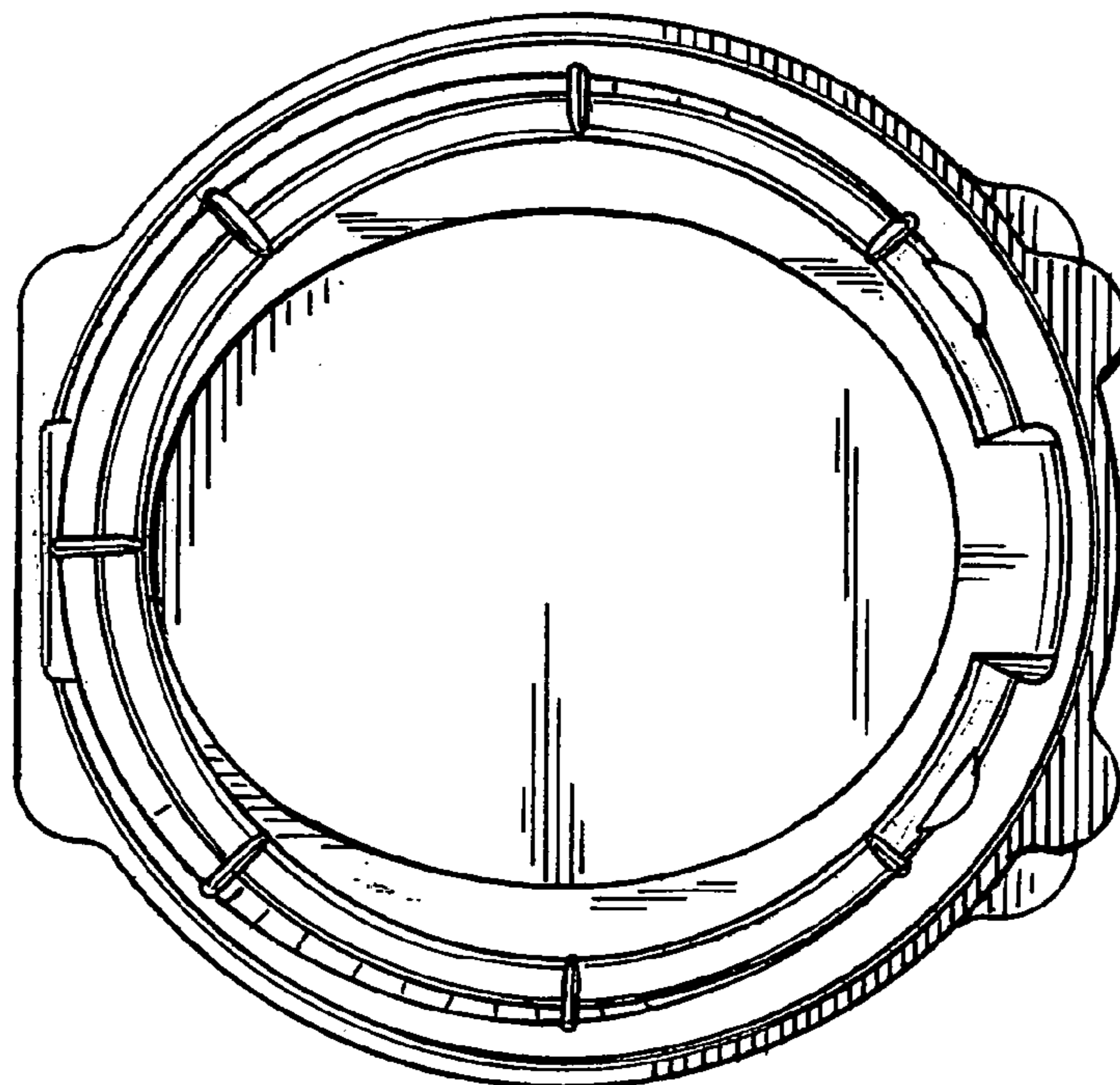


FIG. 5

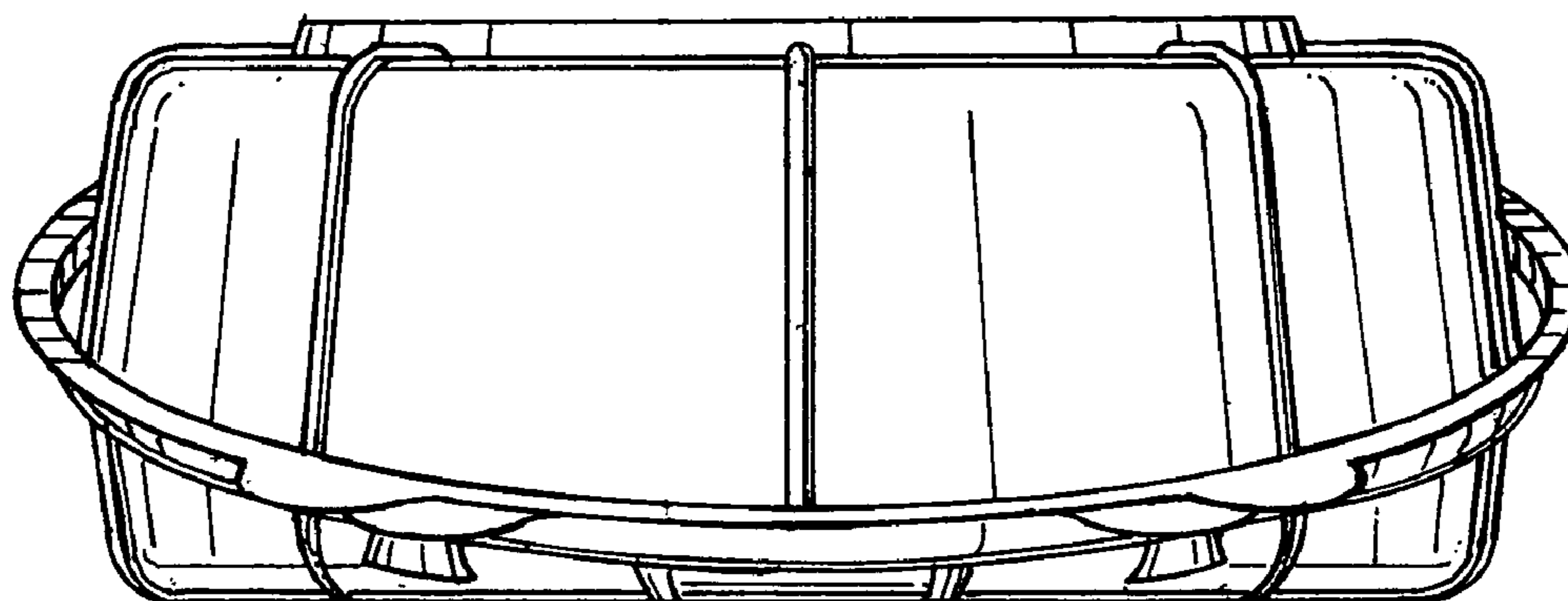


FIG. 6

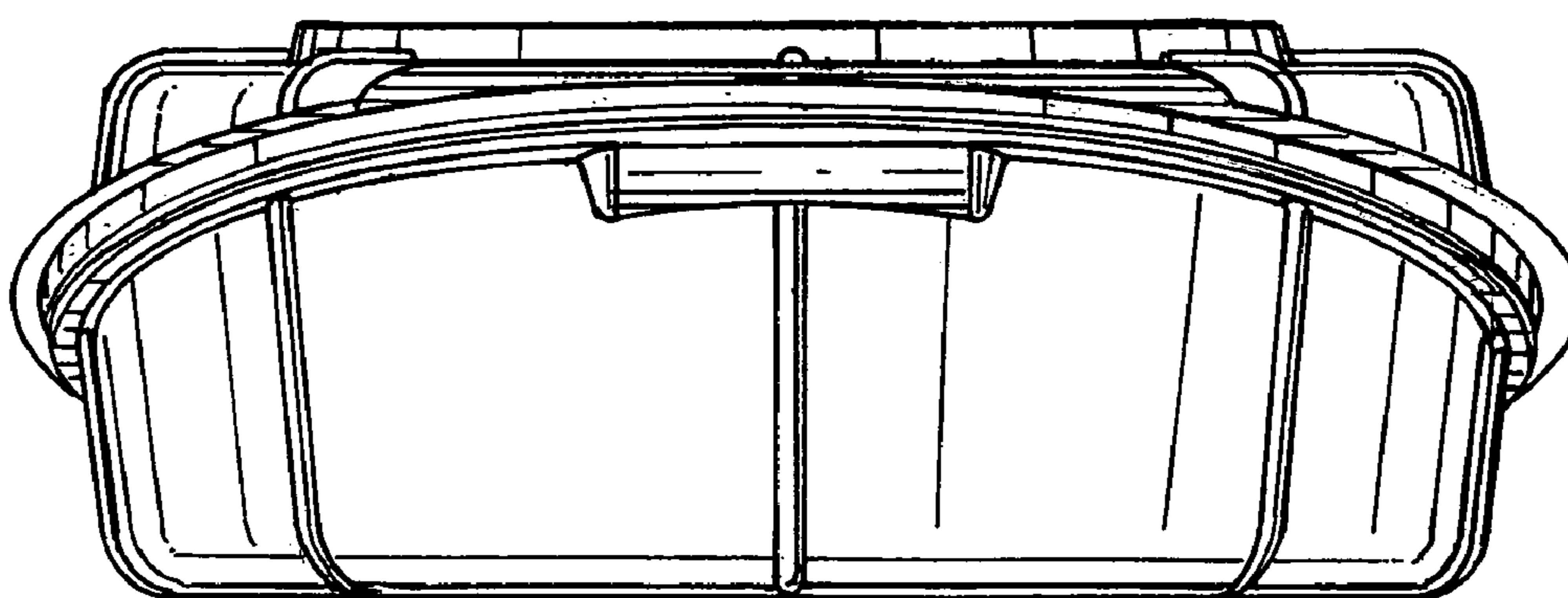


FIG. 7

