



US00D605500S

(12) **United States Design Patent**
Lee et al.

(10) **Patent No.:** **US D605,500 S**
(45) **Date of Patent:** **** Dec. 8, 2009**

(54) **ONE PIECE ELEMENT EYELET HEAD
RE-USABLE EXPANSION ANCHOR**

D413,791 S * 9/1999 May D8/387
D417,139 S * 11/1999 Pitre D8/387
D573,877 S * 7/2008 Vautour D8/387

(76) Inventors: **Chong Ming Lee**, 1245 Webb Cir.,
Corona, CA (US) 92879; **Kang Hong
Lee**, 2, Lane60, Chiafeng Road,
Kangshan, Kaohsiung (TW) 820

* cited by examiner

Primary Examiner—Holly H Baynham

Assistant Examiner—Sheryl Lane

(74) *Attorney, Agent, or Firm*—IPFortune LLC; Ruay Lian
Ho

(**) Term: **14 Years**

(21) Appl. No.: **29/328,656**

(57) **CLAIM**

(22) Filed: **Nov. 26, 2008**

The ornamental design for one piece element eyelet head re-usable expansion anchor, as shown and described.

(51) **LOC (9) Cl.** **08-08**

(52) **U.S. Cl.** **D8/387**

(58) **Field of Classification Search** D8/387,
D8/367; 411/400, 378; 410/110
See application file for complete search history.

DESCRIPTION

FIG. 1 illustrates a perspective view of the new design of one piece element eyelet head re-usable expansion anchor;

FIG. 2 illustrates a front view of the new design;

FIG. 3 illustrates a rear view of the new design;

FIG. 4 illustrates a left view of the new design;

FIG. 5 illustrates a right view of the new design;

FIG. 6 illustrates a top view of the new design; and,

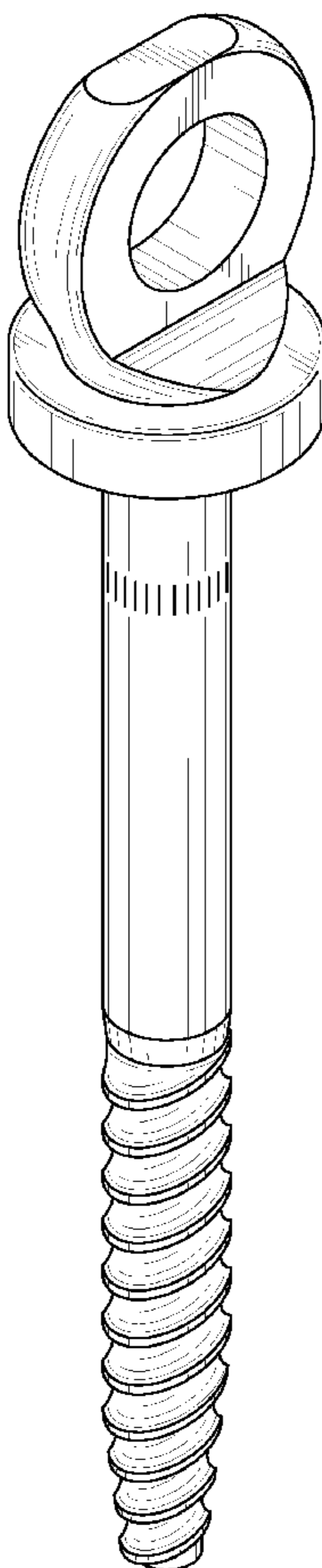
FIG. 7 illustrates a bottom view of the new design.

(56) **References Cited**

U.S. PATENT DOCUMENTS

D31,861 S * 11/1899 Copeland D13/132
1,876,720 A * 9/1932 Merrill 29/896.7
D198,281 S * 5/1964 Mills D8/367
3,421,726 A * 1/1969 Getter 410/110
5,439,338 A * 8/1995 Rosenberg 411/400
D413,509 S * 9/1999 Robertson D8/387

1 Claim, 4 Drawing Sheets



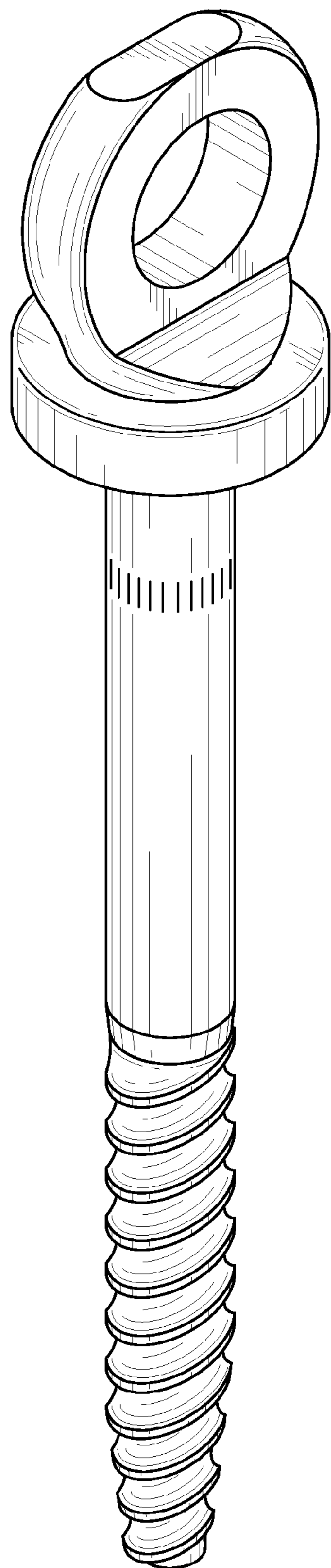


Fig. 1

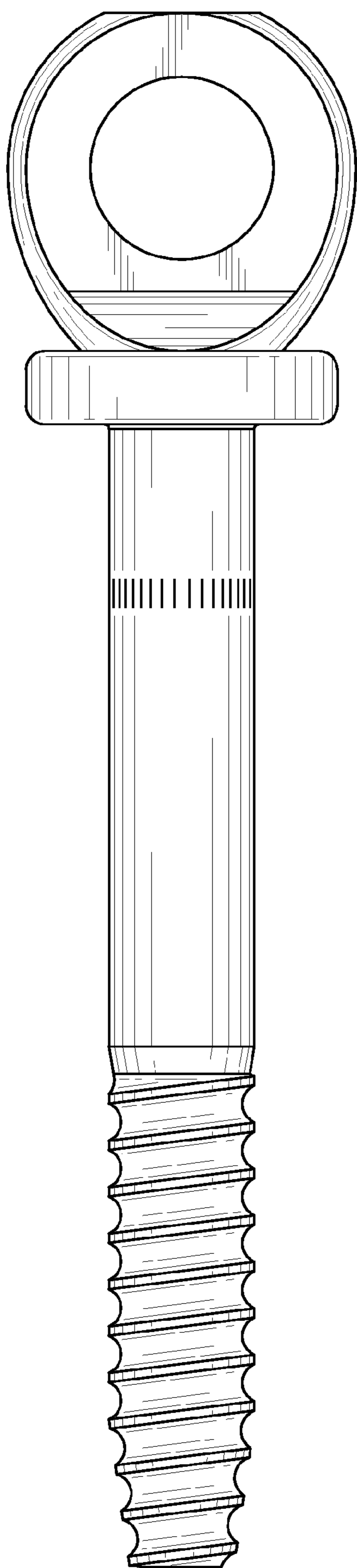


Fig. 2

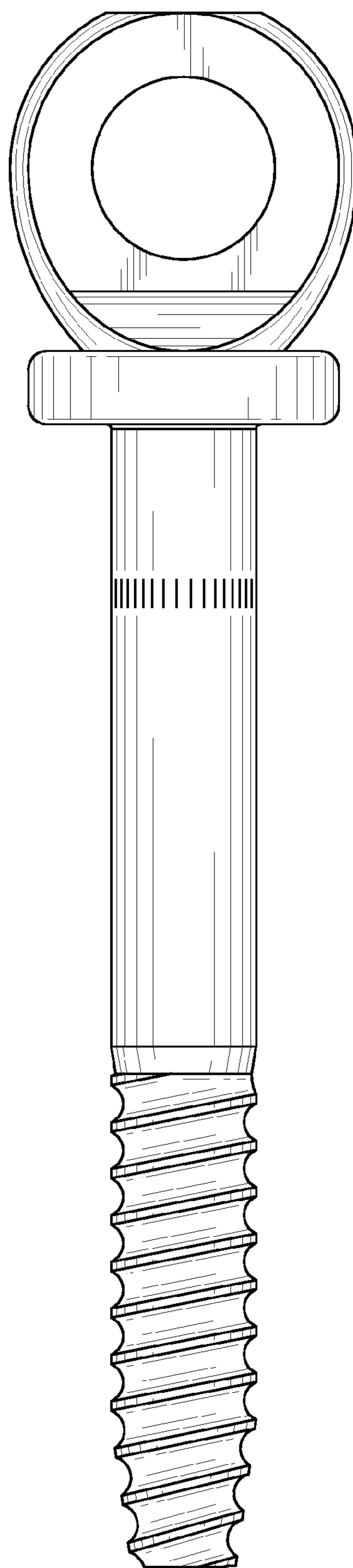


Fig. 3

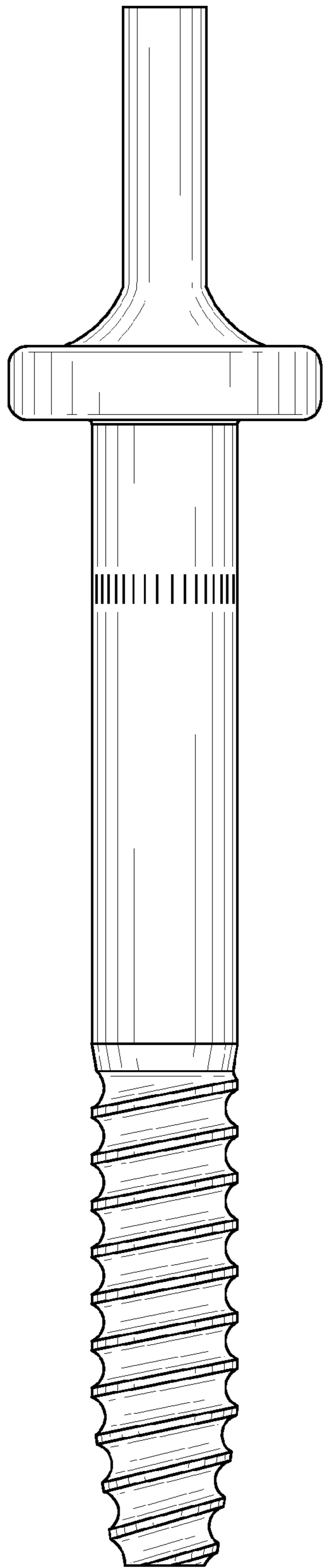


Fig. 4

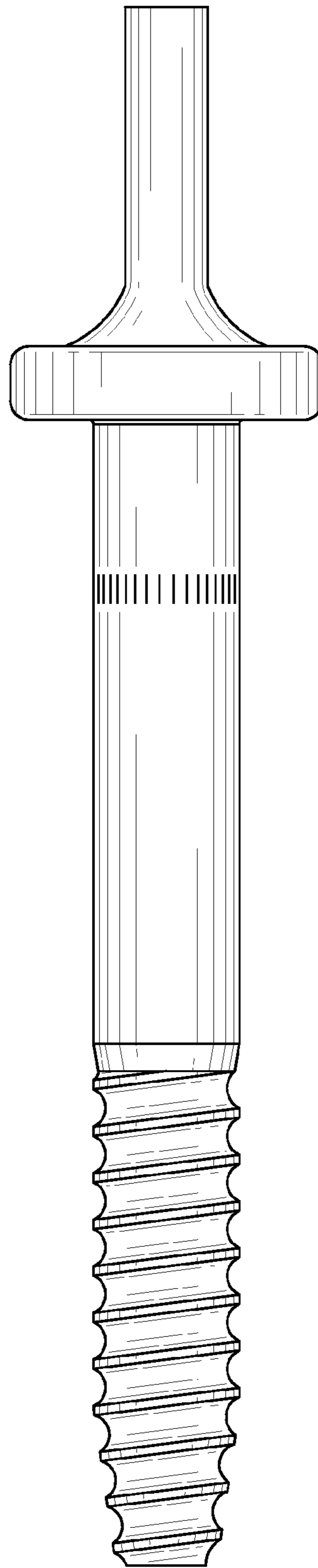


Fig. 5

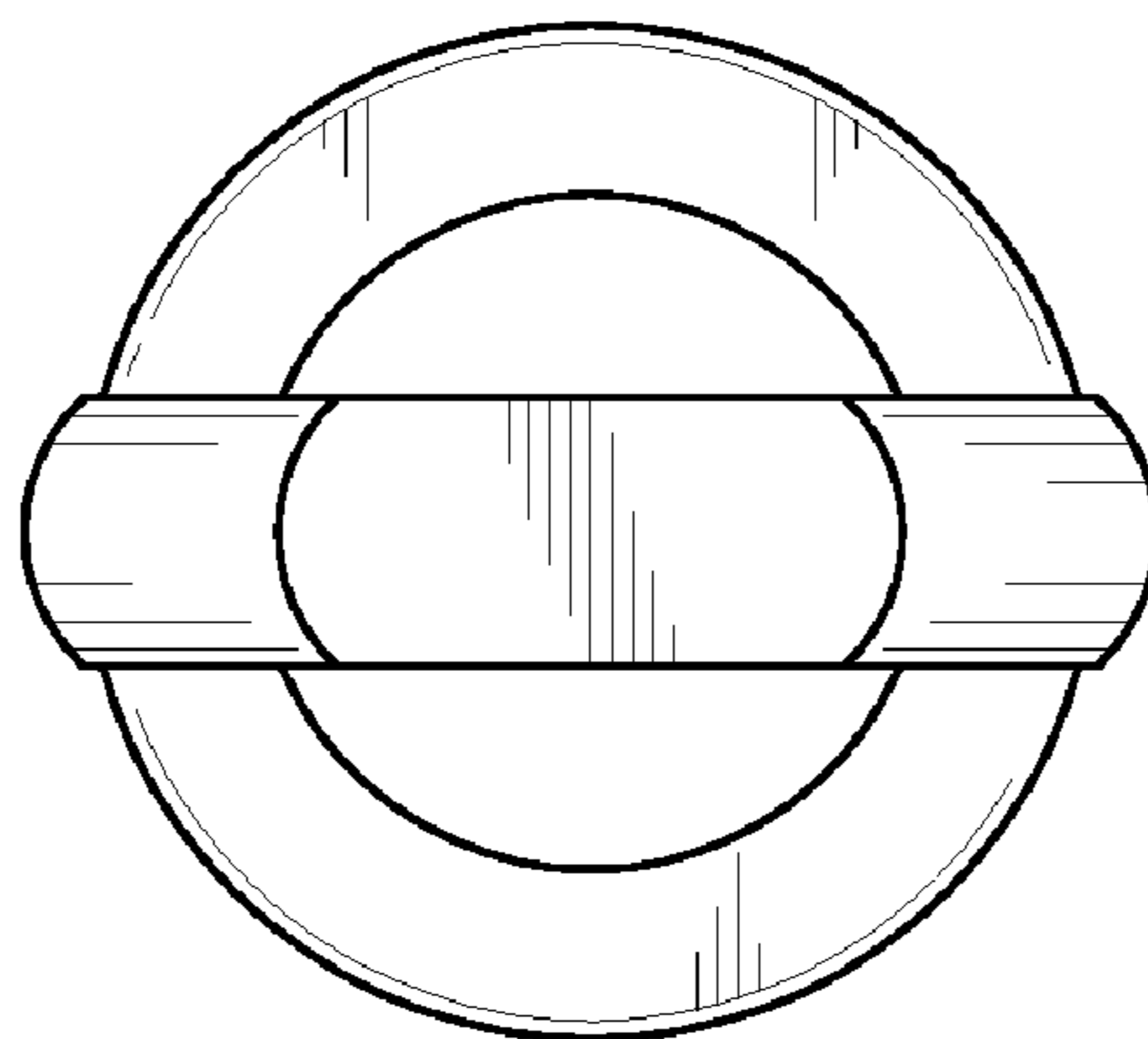


Fig. 6

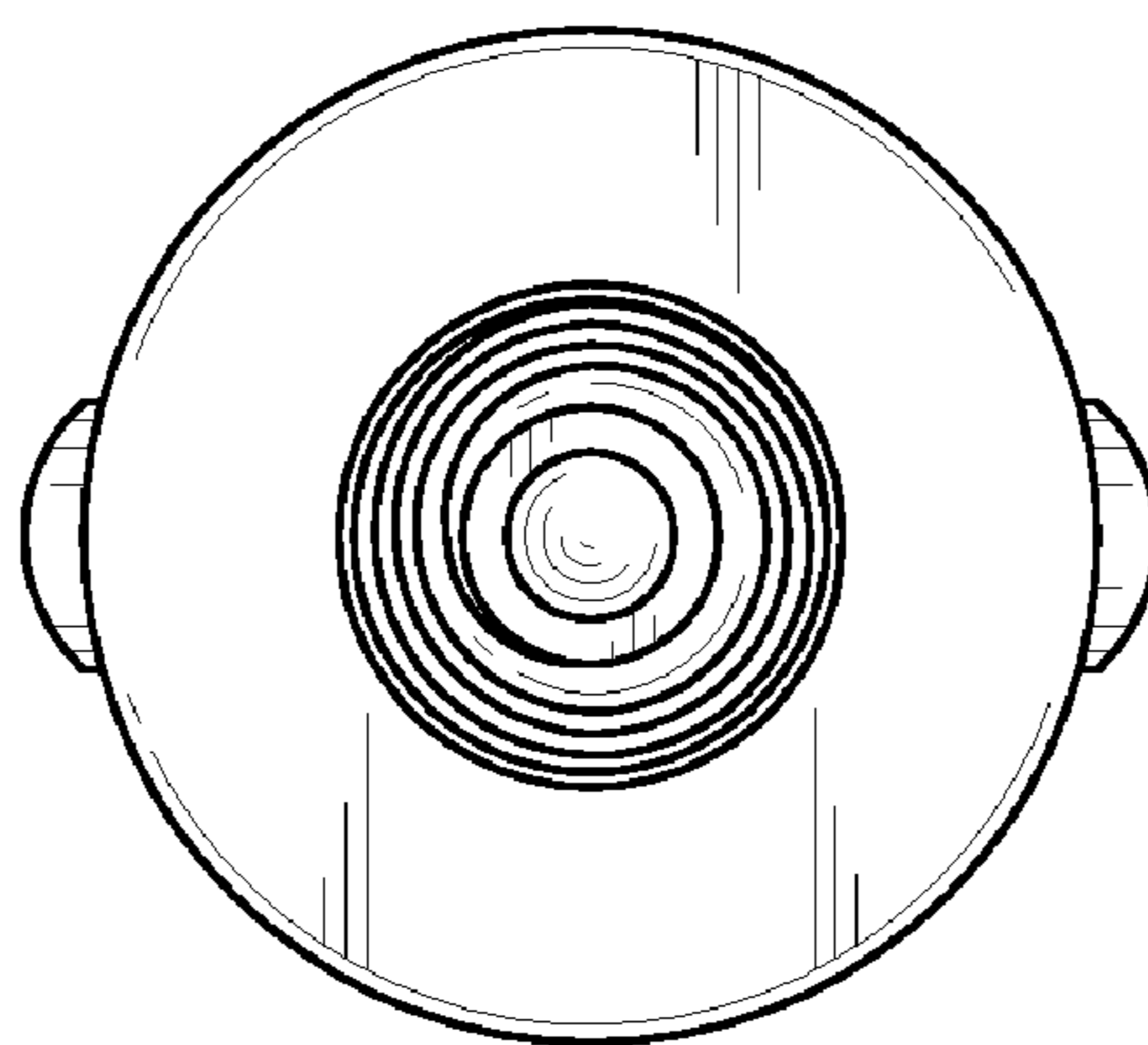


Fig. 7