

US00D605498S

(12) **United States Design Patent**
Carl

(10) **Patent No.:** **US D605,498 S**

(45) **Date of Patent:** **** Dec. 8, 2009**

(54) **OVERDOOR HOOK**

(75) Inventor: **Ross Carl**, Forest, IL (US)

(73) Assignee: **Liberty Hardware Mfg. Corp.**,
Winston-Salem, NC (US)

(**) Term: **14 Years**

(21) Appl. No.: **29/331,995**

(22) Filed: **Feb. 6, 2009**

(51) **LOC (9) Cl.** **08-05**

(52) **U.S. Cl.** **D8/367**

(58) **Field of Classification Search** D8/301,
D8/302, 367, 371, 373, 382, 395; D10/99;
248/74.2, 100, 201, 214, 215, 216.1, 218.1,
248/231, 231.91, 243, 301, 302, 303, 304,
248/309.1, 322, 339, 340, 467, 493, 496,
248/497, 498, 547; 16/413; 24/265 H, 563,
24/907; 211/13.1, 60.1, 65, 66, 87.01; 404/134;
D19/34.1, 91; D6/323

See application file for complete search history.

(56) **References Cited**

U.S. PATENT DOCUMENTS

D342,889 S * 1/1994 Adams D8/367
D343,112 S * 1/1994 Corbin D6/367

D349,447 S * 8/1994 Daniller D8/367
5,413,297 A * 5/1995 Adams 248/215
D365,015 S * 12/1995 Avinger D8/373
D377,896 S * 2/1997 Mesna et al. D8/367
D480,624 S * 10/2003 Dretzka D8/367
D507,961 S * 8/2005 Goodman et al. D8/367
D584,939 S * 1/2009 Snell D8/367

* cited by examiner

Primary Examiner—Robert M Spear

Assistant Examiner—Barbara B Lohr

(74) *Attorney, Agent, or Firm*—Edgar A. Zarins; Nirav D. Parikh

(57) **CLAIM**

The ornamental design for an overdoor hook, as shown and described.

DESCRIPTION

FIG. 1 is a perspective view of an overdoor hook showing my new design;

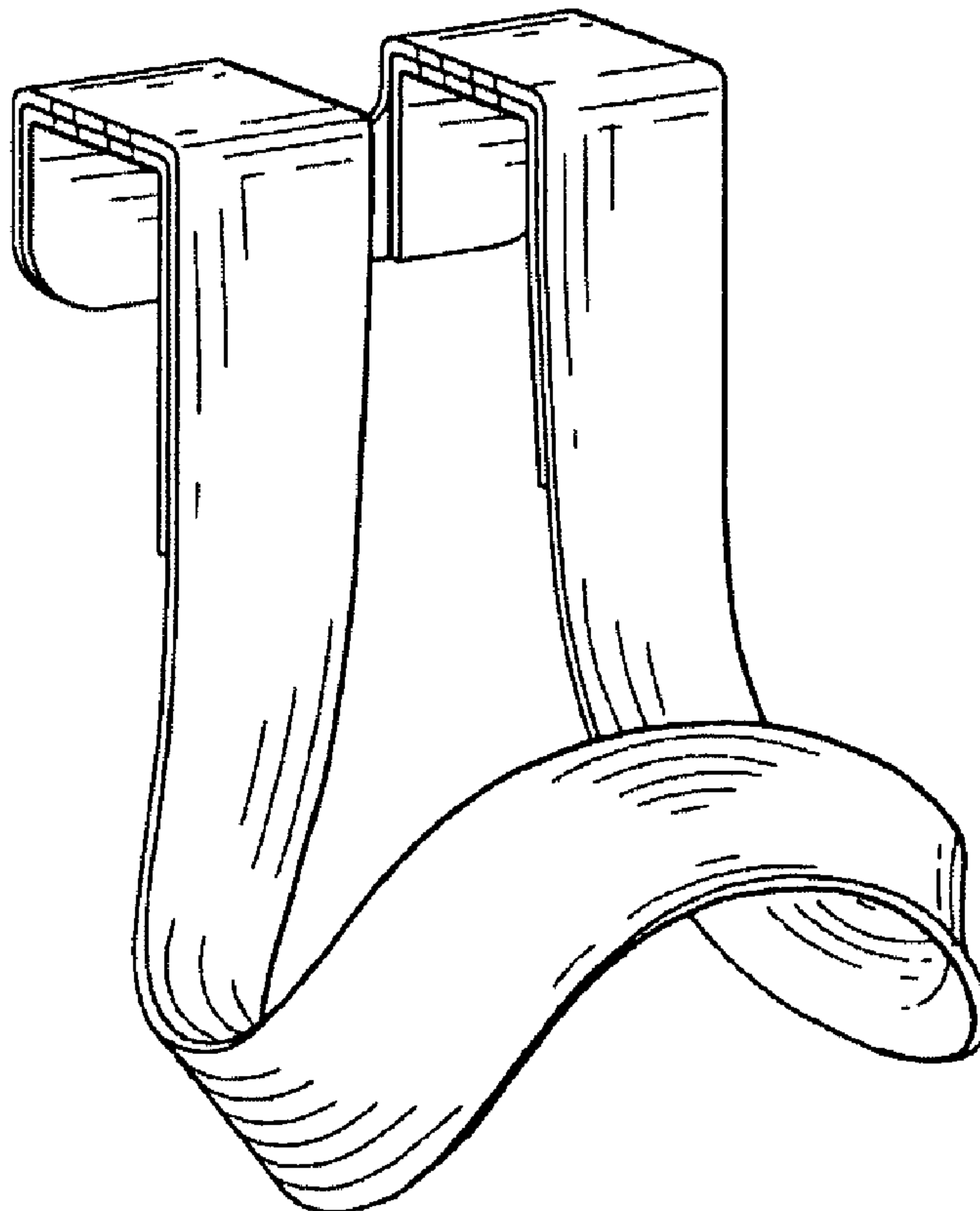
FIG. 2 is a front elevational view thereof;

FIG. 3 is a right side view thereof; the opposite side being a mirror image of the side shown;

FIG. 4 is a top plan view thereof; and,

FIG. 5 is a bottom plan view thereof.

1 Claim, 2 Drawing Sheets



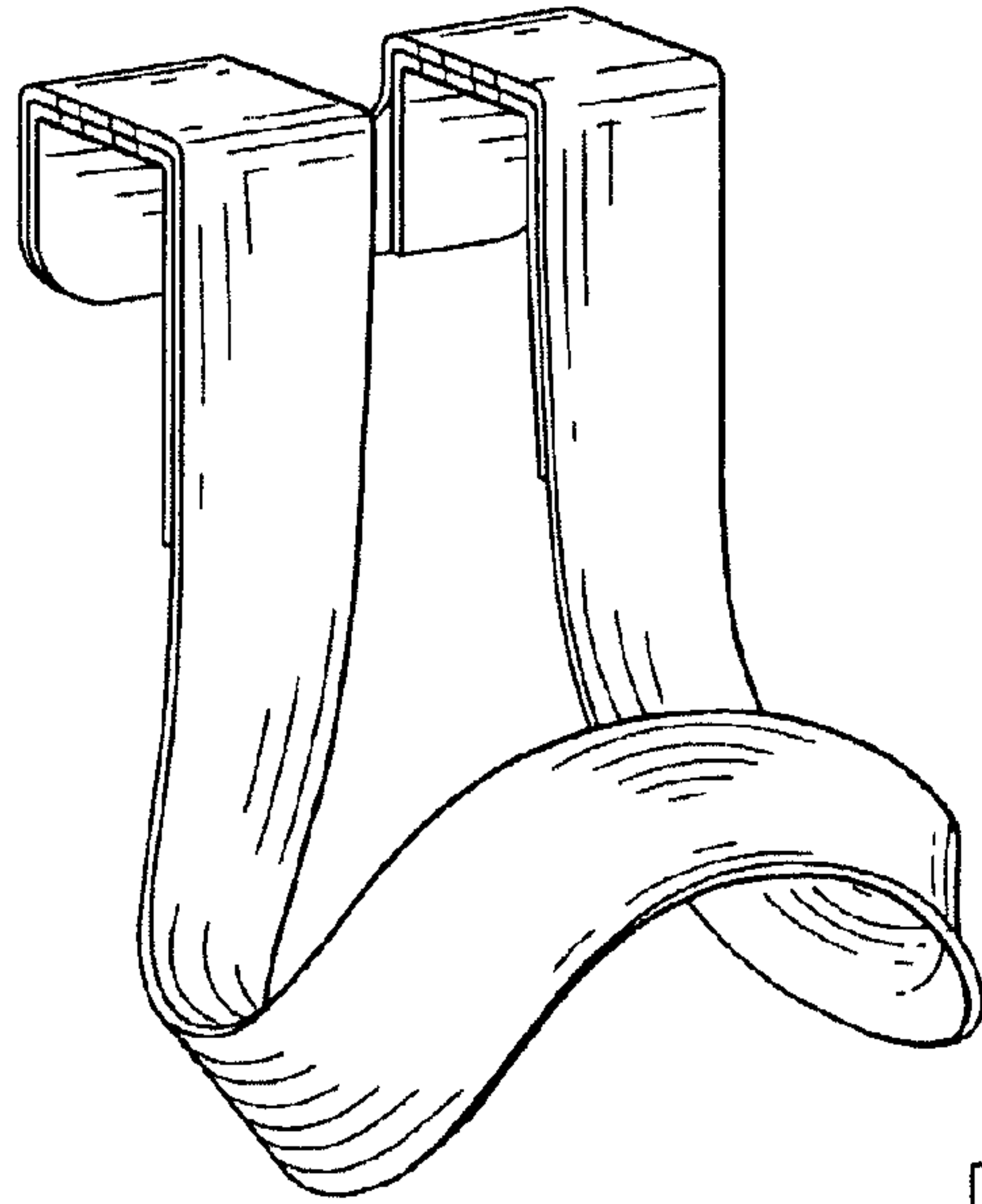


Fig-1

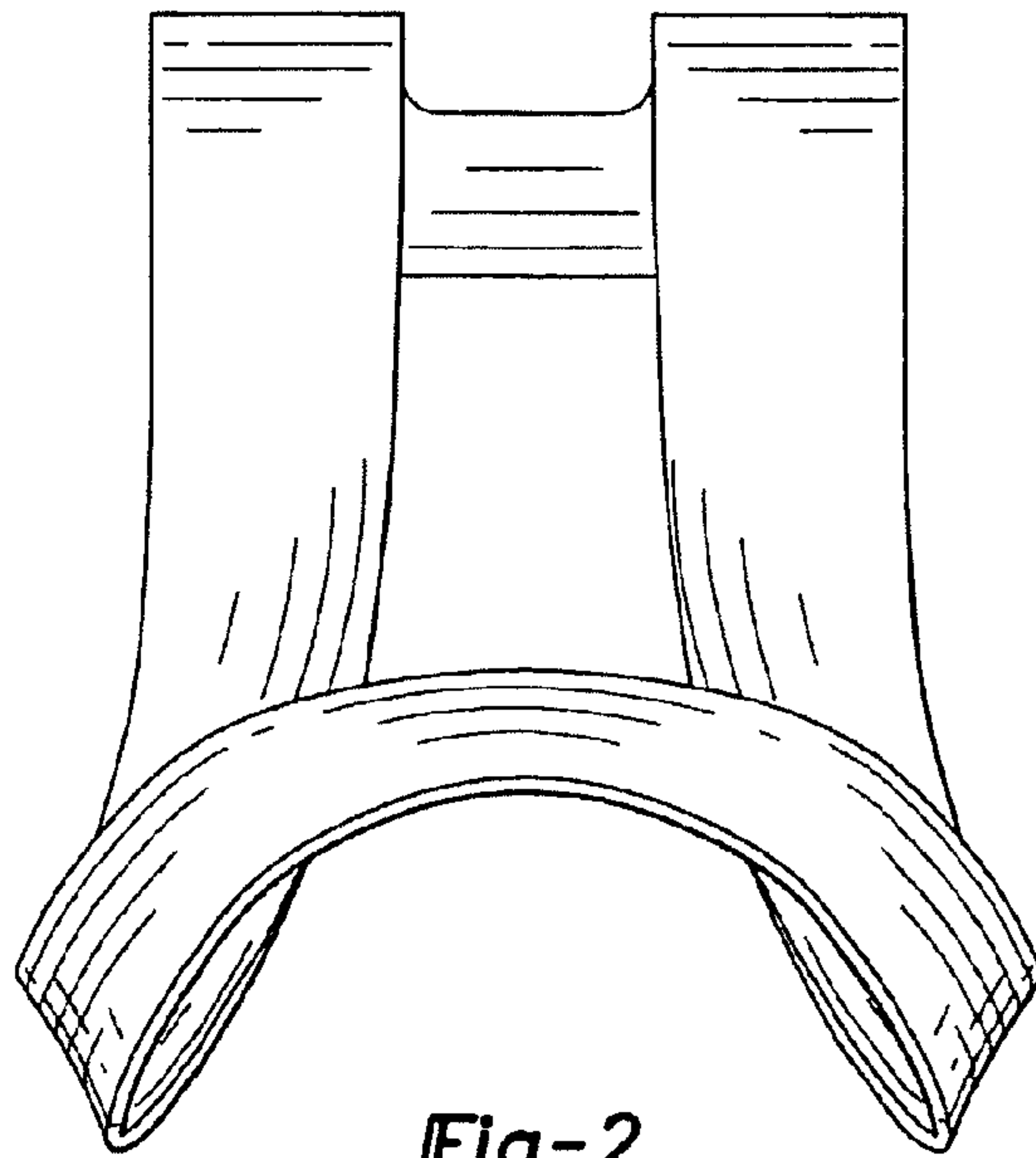


Fig-2

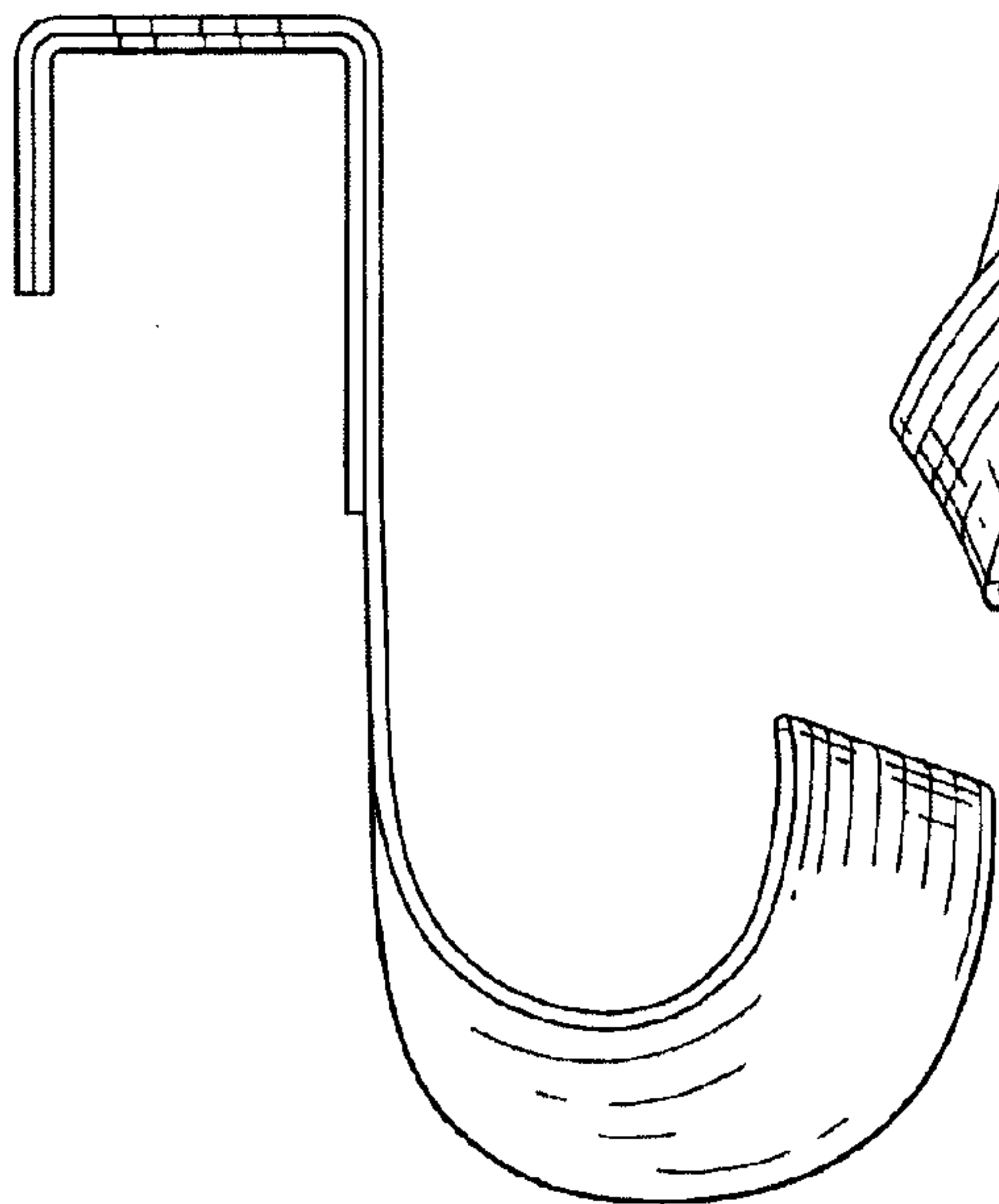


Fig-3

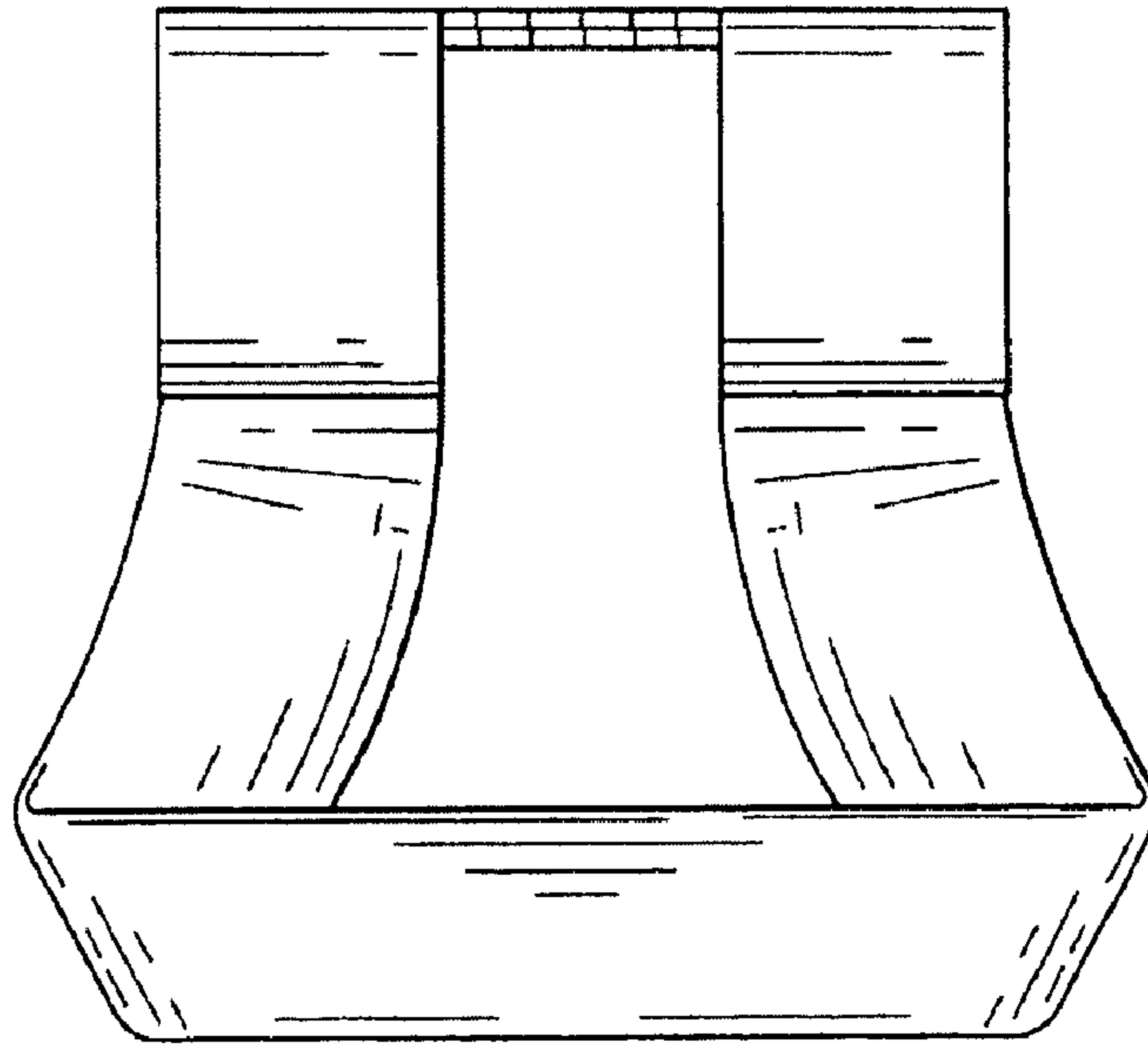


Fig-4

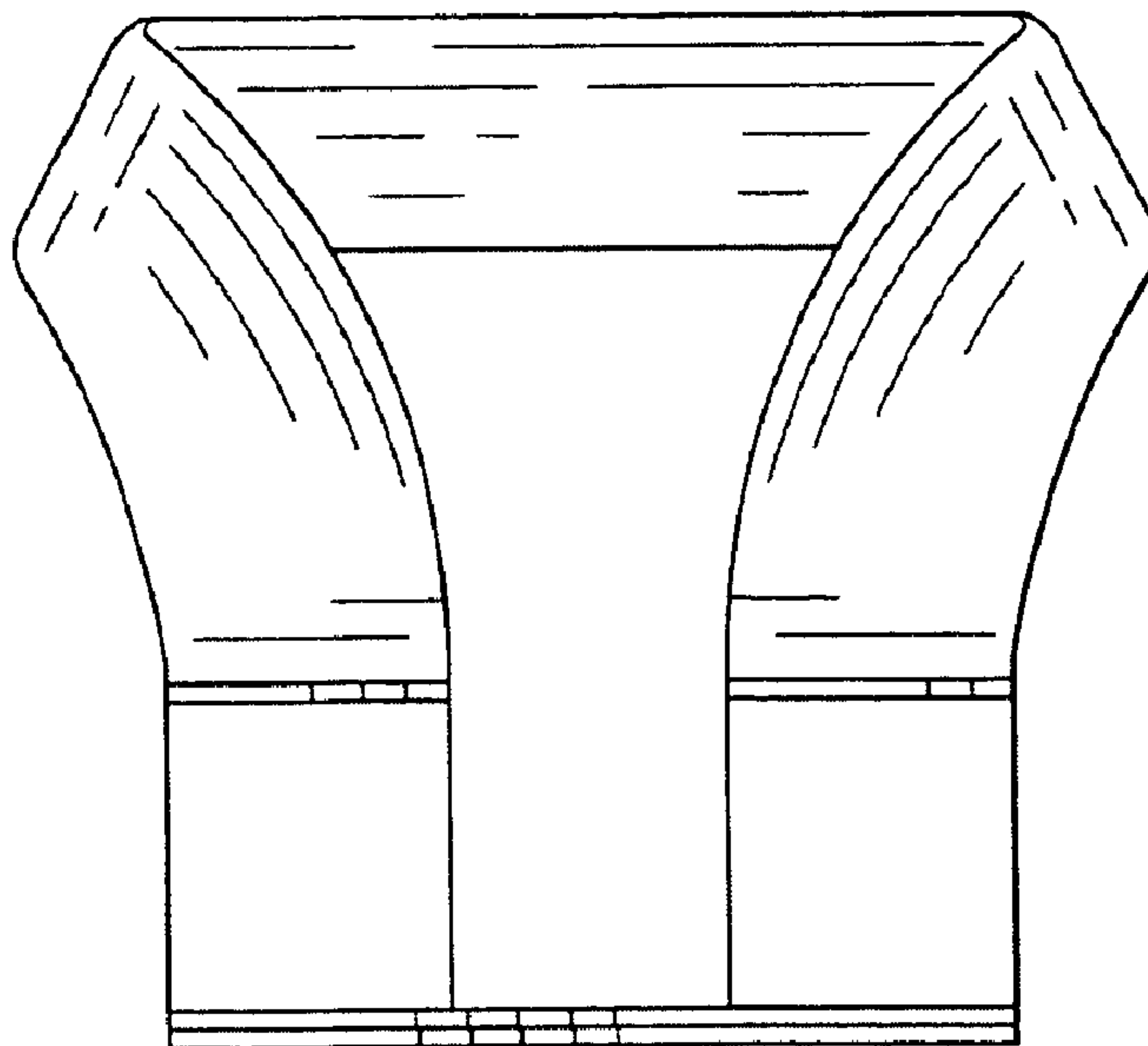


Fig-5