



US00D605497S

(12) **United States Design Patent**
Lulla et al.

(10) **Patent No.:** **US D605,497 S**

(45) **Date of Patent:** **** *Dec. 8, 2009**

(54) **CANTILEVER**

(75) Inventors: **Amar Lulla**, Mumbai (IN); **Xerxes Rao**,
Mumbai (IN)

(73) Assignee: **Cipla Limited**, Maharashtra (IN)

(**) Term: **14 Years**

(21) Appl. No.: **29/302,212**

(22) Filed: **Jan. 11, 2008**

(30) **Foreign Application Priority Data**

Jul. 13, 2007 (ID) 211209

(51) **LOC (9) Cl.** **08-05**

(52) **U.S. Cl.** **D8/354**

(58) **Field of Classification Search** D8/343,
D8/349, 354, 363, 373, 380, 381; D25/61;
D26/145; 108/108; 211/96, 187, 193; 248/200,
248/205.3, 242, 243, 245, 250, 629; D6/574
See application file for complete search history.

(56) **References Cited**

U.S. PATENT DOCUMENTS

2,336,604 A * 12/1943 Edward et. al. 248/243
3,512,654 A * 5/1970 Jay et. al. 211/193
3,918,668 A * 11/1975 Thorpe 248/205.3
4,415,137 A * 11/1983 Garves 248/629
D274,960 S * 8/1984 Bohlman et al. D6/574

D284,832 S * 7/1986 Parker D8/380
D294,221 S * 2/1988 Sheftel D8/381
D294,799 S * 3/1988 Vilkofsky, Jr. D8/373
D327,839 S * 7/1992 Stumpf et al. D8/381
D341,819 S * 11/1993 Carlstrom D8/381
D346,735 S * 5/1994 Glisch et al. D8/381
D367,221 S * 2/1996 Burgasser et al. D8/381
D376,307 S * 12/1996 Burgasser et al. D8/349
D485,484 S * 1/2004 McCoy et al. D8/343

* cited by examiner

Primary Examiner—Holly H Baynham

Assistant Examiner—Cynthia M Chin

(74) *Attorney, Agent, or Firm*—Knobbe Martens Olson &
Bear LLC

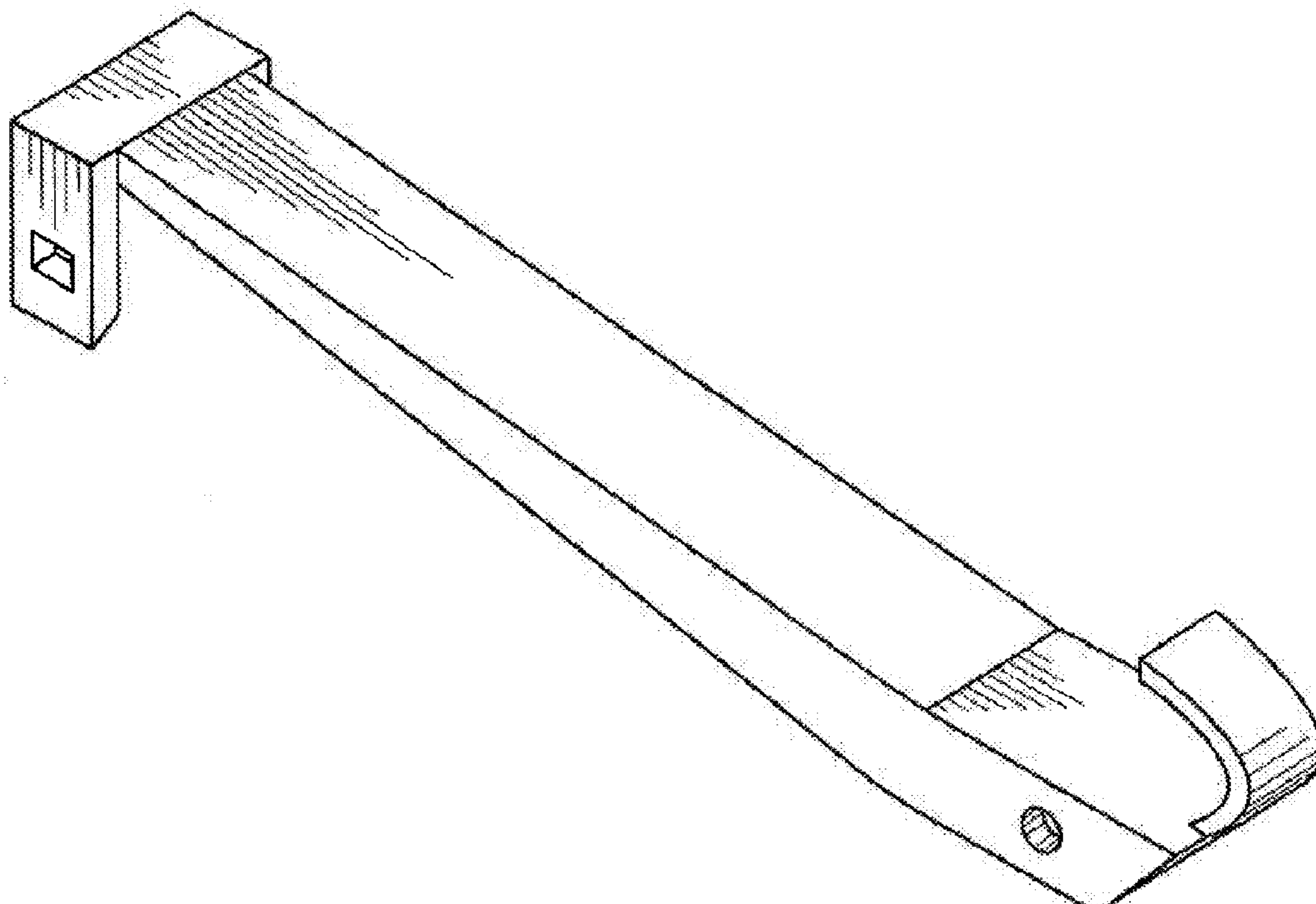
(57) **CLAIM**

The ornamental design for a cantilever, as shown and
described.

DESCRIPTION

FIG. 1 is a top view thereof;
FIG. 2 is a front view thereof;
FIG. 3 is a back view thereof;
FIG. 4 is a left side view thereof;
FIG. 5 is a right side view thereof;
FIG. 6 is a bottom view thereof; and,
FIG. 7 is a perspective view thereof.

1 Claim, 6 Drawing Sheets



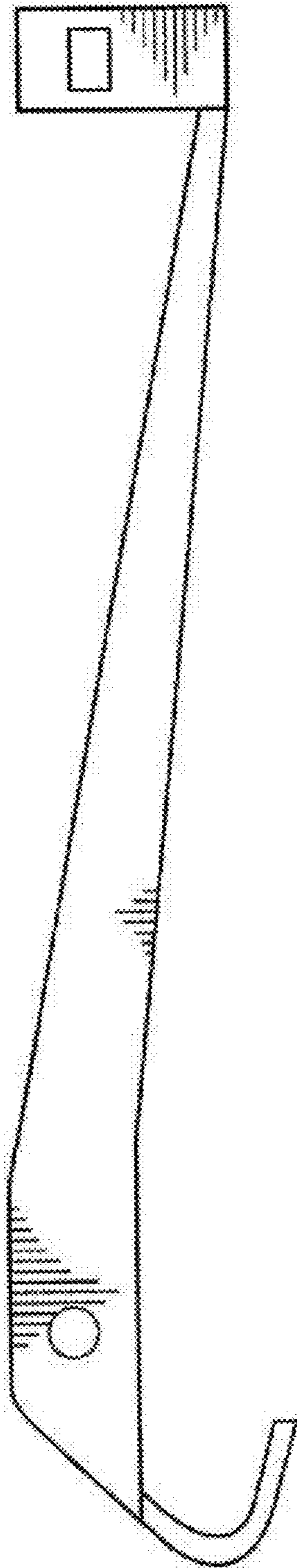


Fig. 1

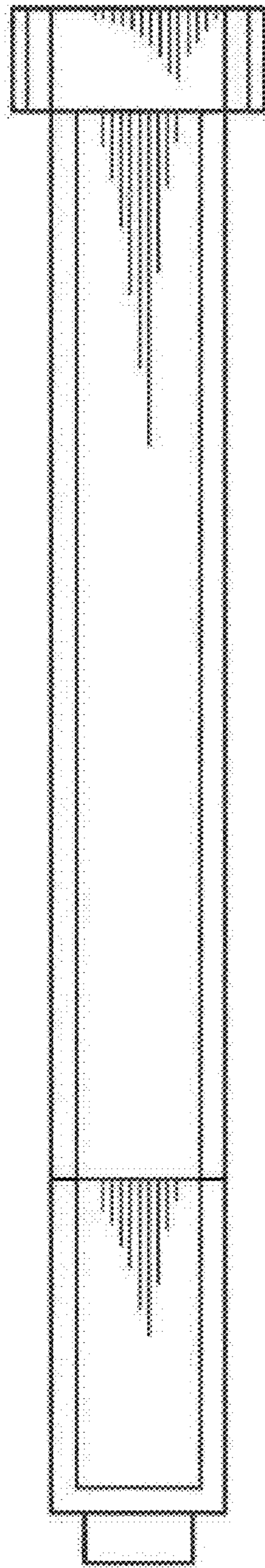


Fig. 2

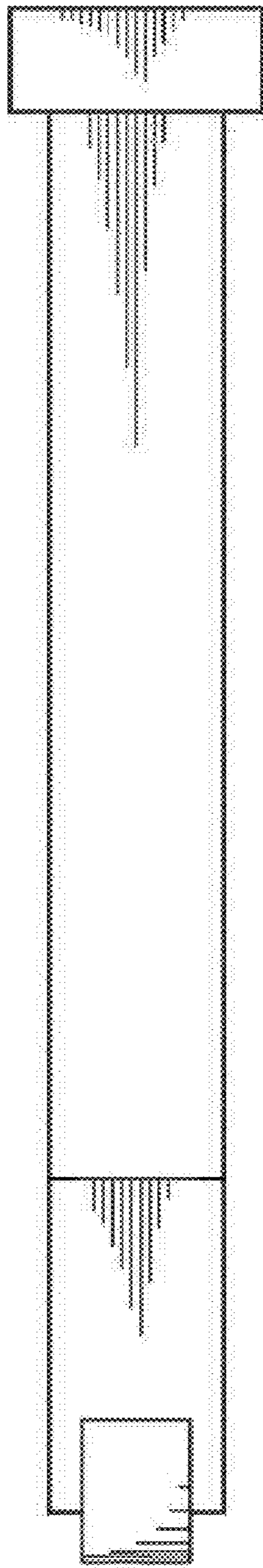


Fig. 3

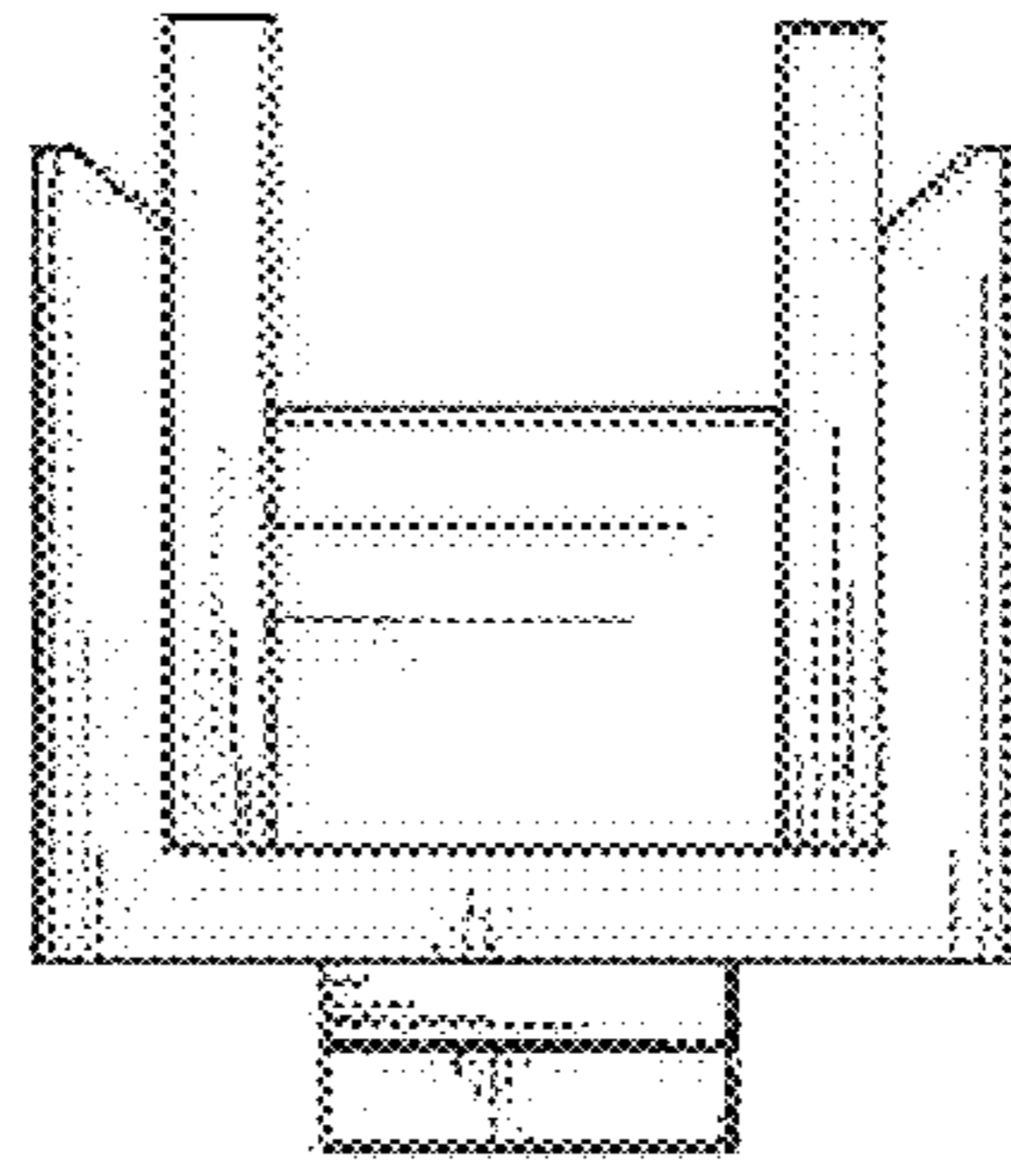


Fig. 4

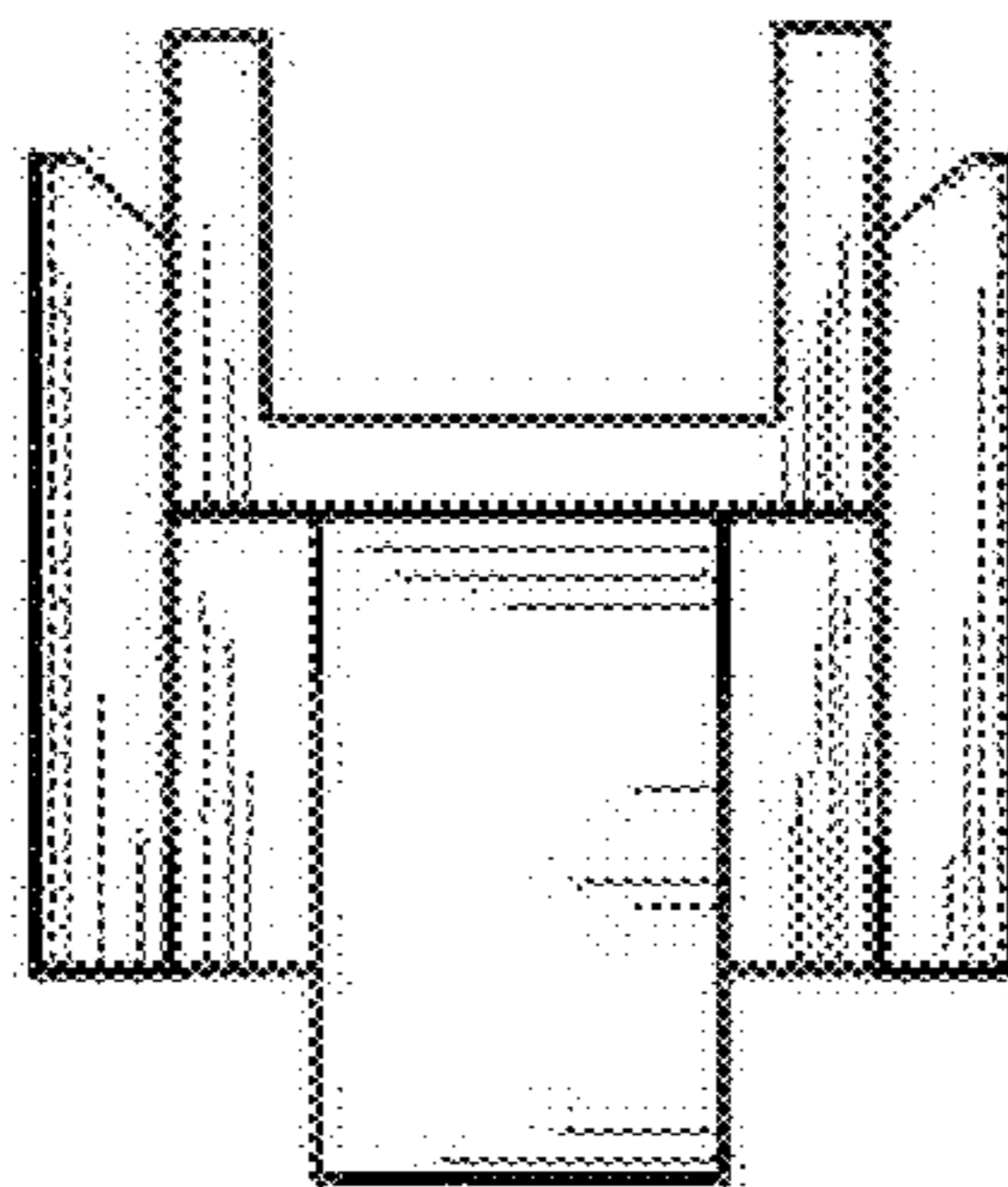


Fig. 5

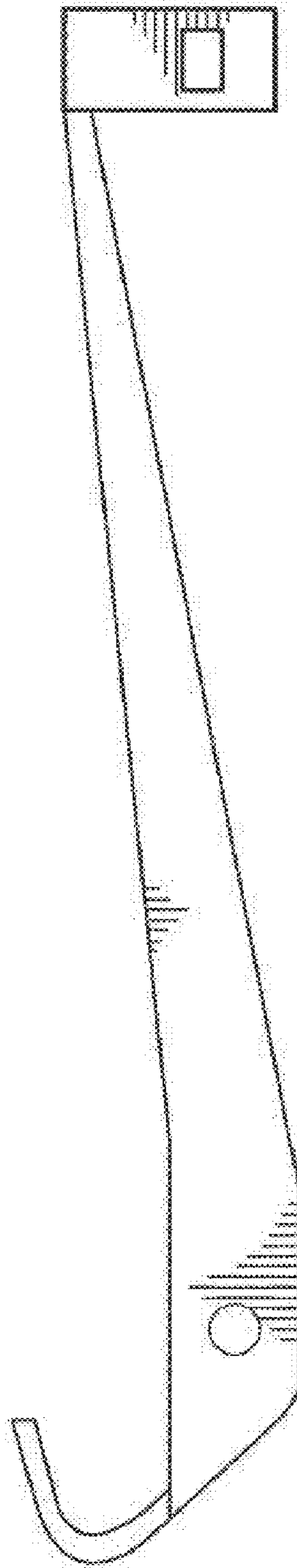


Fig. 6

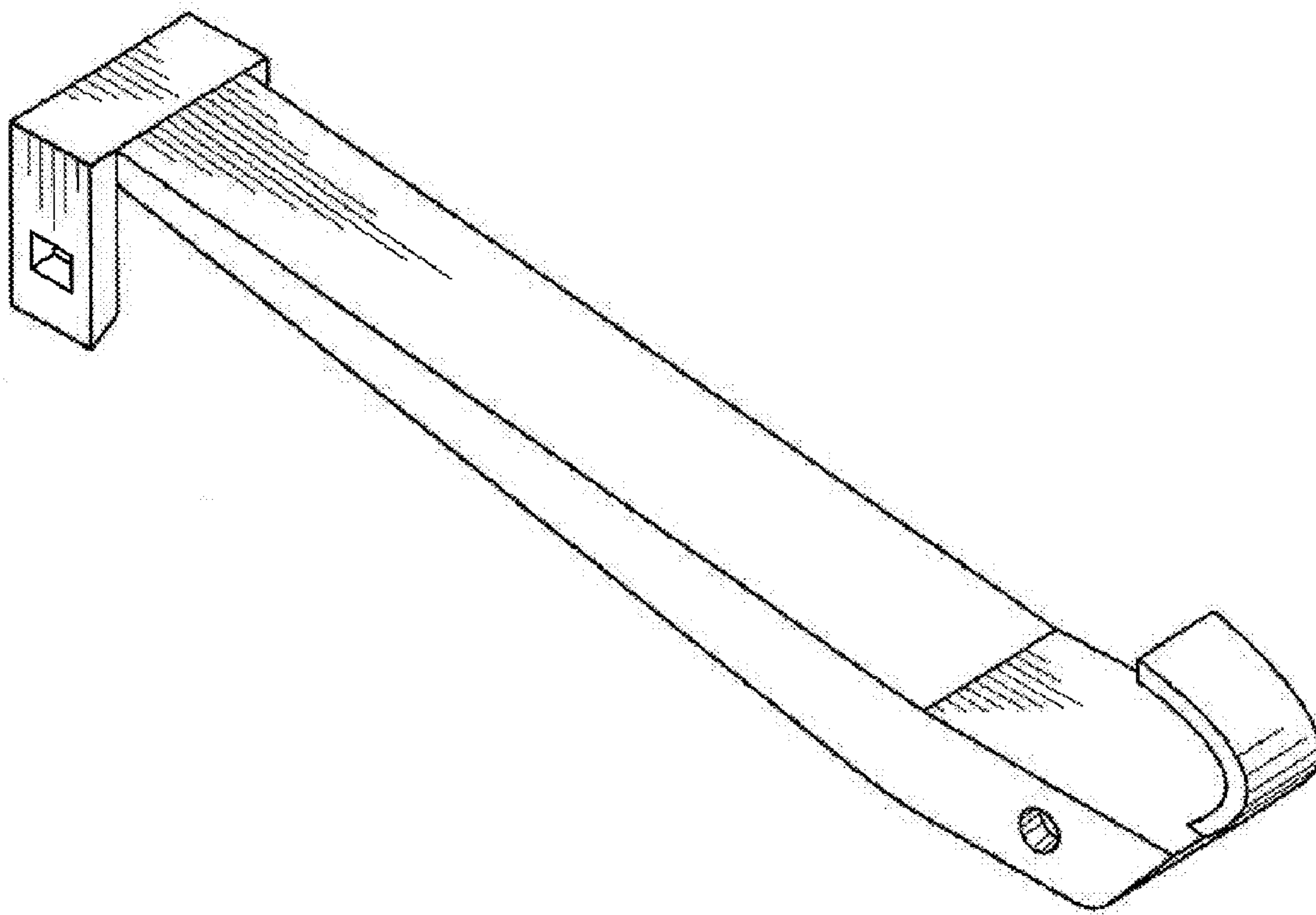


Fig. 7

UNITED STATES PATENT AND TRADEMARK OFFICE
CERTIFICATE OF CORRECTION

PATENT NO. : D605,497 S
APPLICATION NO. : 29/302212
DATED : December 8, 2009
INVENTOR(S) : Amar Lulla and Xerxes Rao

Page 1 of 1

It is certified that error appears in the above-identified patent and that said Letters Patent is hereby corrected as shown below:

On the title page, item (30), "Foreign Application Priority Data Jul. 13, 2007 (ID)" please change to -- Foreign Application Priority Data Jul. 13, 2007 (IN) --.

Signed and Sealed this
Fifth Day of April, 2011

A handwritten signature in black ink that reads "David J. Kappos". The signature is written in a cursive style with a large initial "D" and "K".

David J. Kappos
Director of the United States Patent and Trademark Office