



US00D605496S

(12) **United States Design Patent**  
**Scheuermann et al.**

(10) **Patent No.:** **US D605,496 S**

(45) **Date of Patent:** **\*\* Dec. 8, 2009**

(54) **JAMB BRACKET**

(76) Inventors: **Vern Scheuermann**, 1912 8th St., Des Moines, IA (US) 50314; **Margaret Scheuermann**, 1912 8th St., Des Moines, IA (US) 50314

(\*\*) Term: **14 Years**

(21) Appl. No.: **29/340,874**

(22) Filed: **Jul. 27, 2009**

**Related U.S. Application Data**

(63) Continuation-in-part of application No. 11/555,890, filed on Nov. 2, 2006.

(51) **LOC (9) Cl.** ..... **08-05**

(52) **U.S. Cl.** ..... **D8/349**

(58) **Field of Classification Search** ..... D8/330, D8/349, 354, 373, 380, 382, 400; 16/66, 16/70, 71, 72, 94 R, 271, 387, 389, 390, 391, 16/392; 248/225.11, 300; 403/189; 52/213  
See application file for complete search history.

(56) **References Cited**

**U.S. PATENT DOCUMENTS**

3,888,445 A \* 6/1975 Pence ..... 16/66  
D285,528 S \* 9/1986 Huot ..... D8/330  
5,152,487 A \* 10/1992 Defatte et al. .... 248/225.11

5,408,724 A \* 4/1995 Mullet et al. .... 16/94 R  
5,829,098 A \* 11/1998 Alonso ..... 16/71  
6,634,059 B2 \* 10/2003 Seiferd ..... 16/71  
2009/0077910 A1 \* 3/2009 Gordon ..... 52/213

\* cited by examiner

*Primary Examiner*—Holly H Baynham

*Assistant Examiner*—Cynthia M Chin

(74) *Attorney, Agent, or Firm*—Crossley Patent Law; Mark A. Crossley

(57) **CLAIM**

The ornamental design for a jamb bracket, as shown and described.

**DESCRIPTION**

FIG. 1 is a front elevation view of a jamb bracket showing our new design;

FIG. 2 is a rear elevation view thereof;

FIG. 3 is a left elevation view thereof;

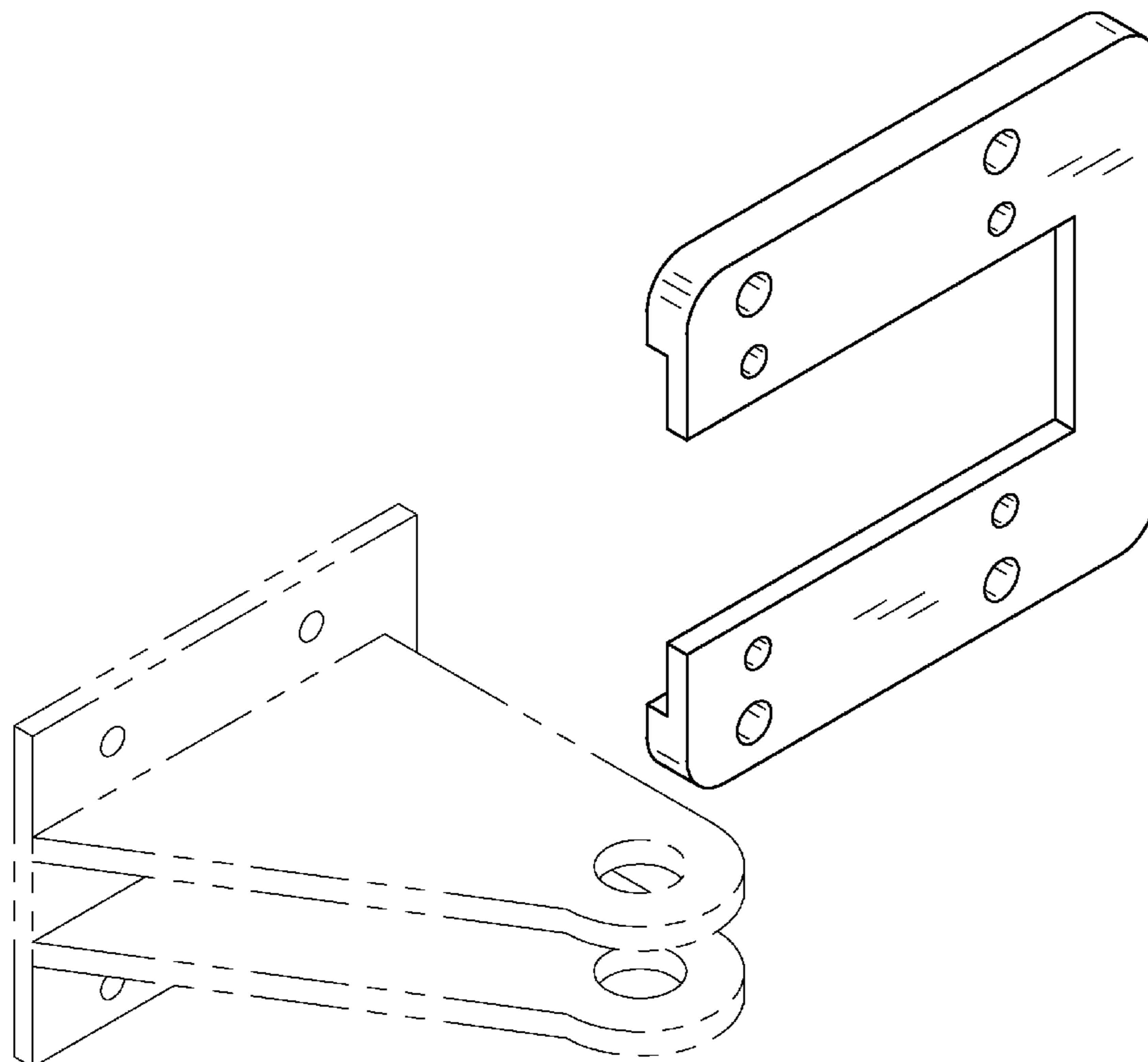
FIG. 4 is a rear elevation view thereof;

FIG. 5 is a top plan view, the opposite side being a mirror image of the shown; and,

FIG. 6 is an isometric view thereof.

The broken lines in the drawings depict environmental subject matter only and form no part of the claimed design.

**1 Claim, 3 Drawing Sheets**



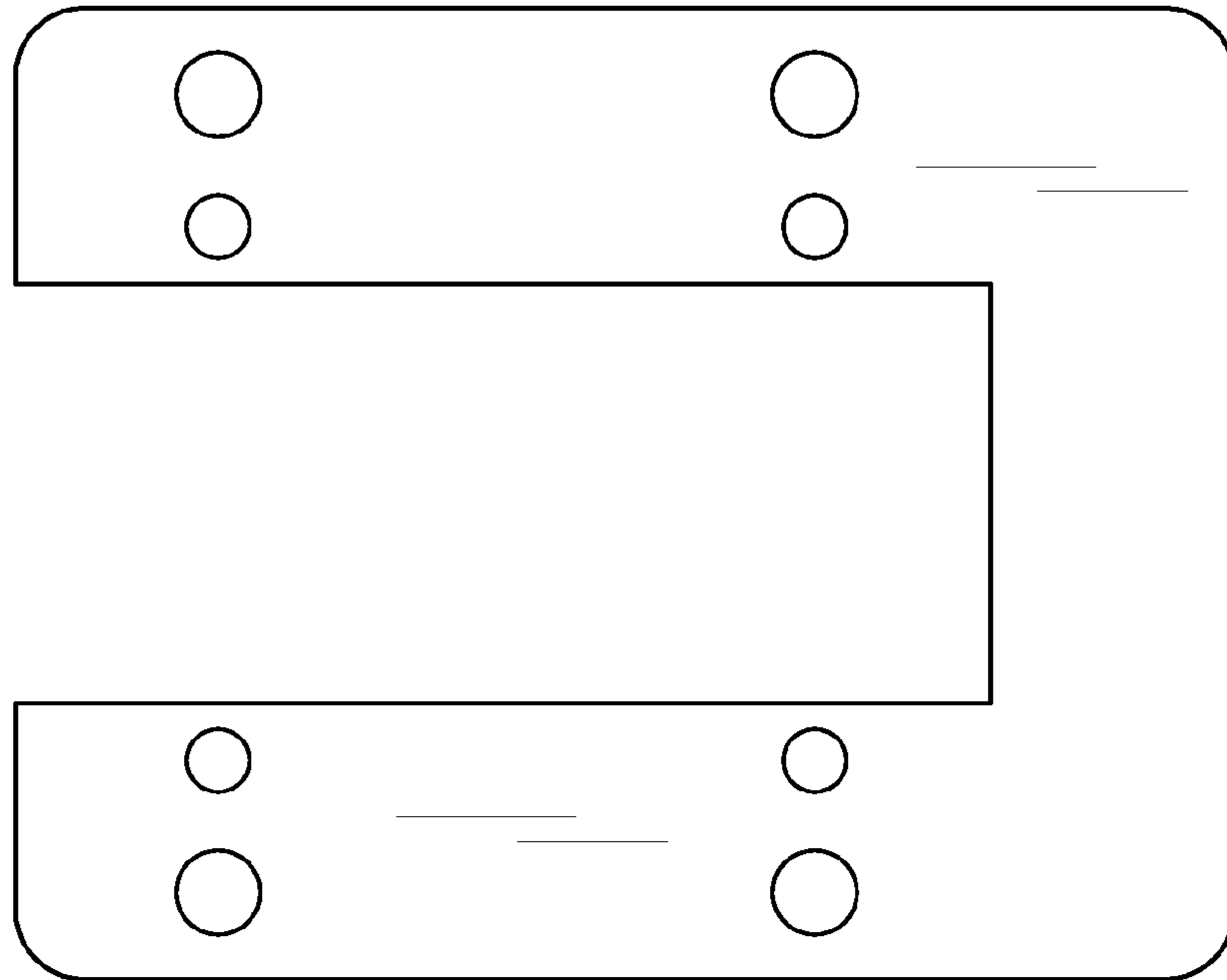


FIG. 1

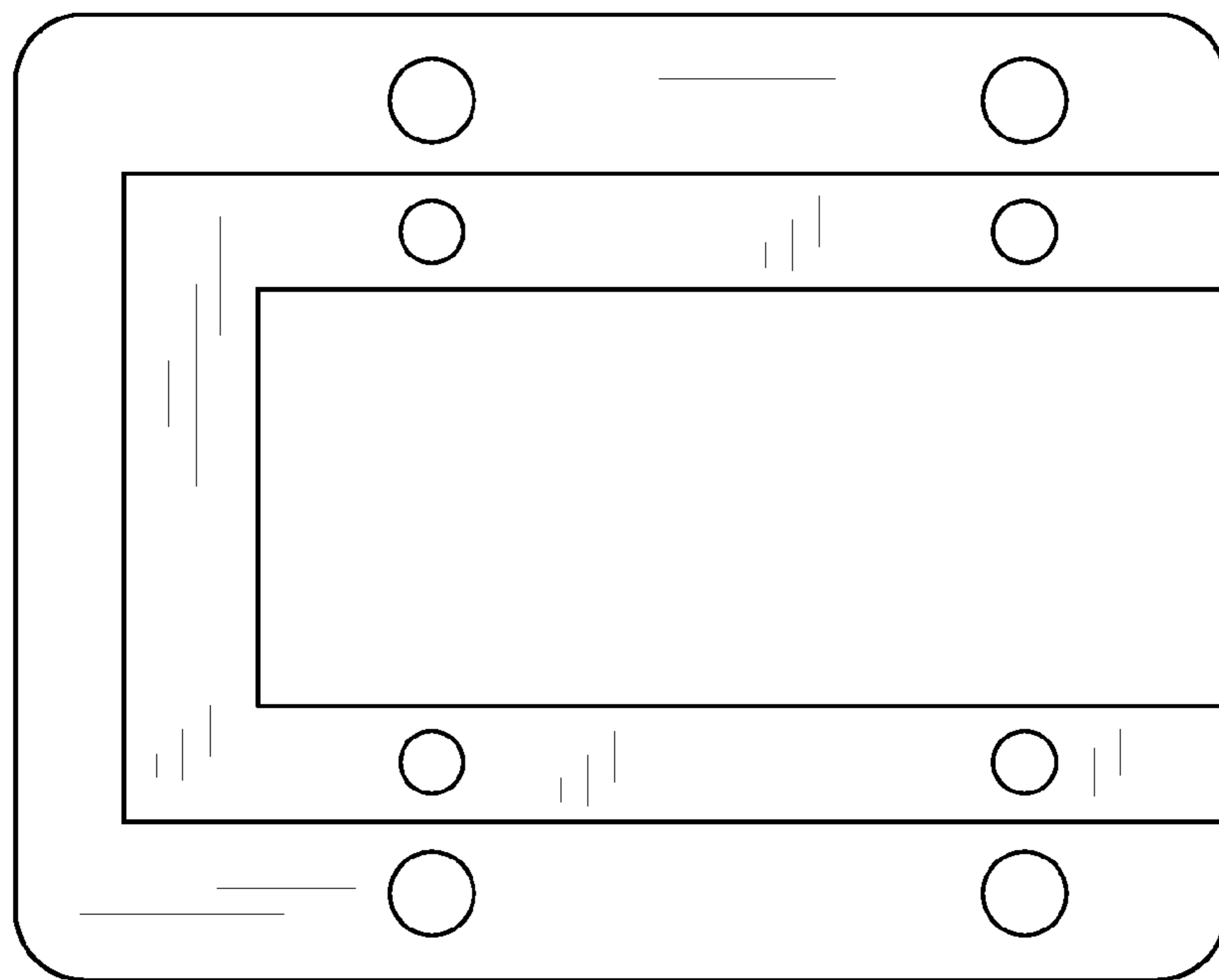


FIG. 2

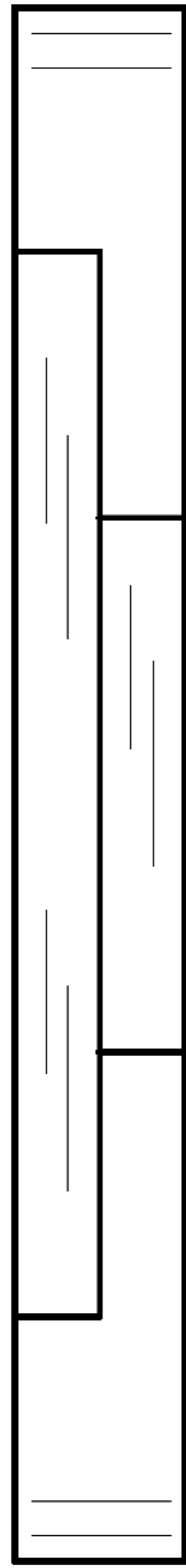


FIG. 3

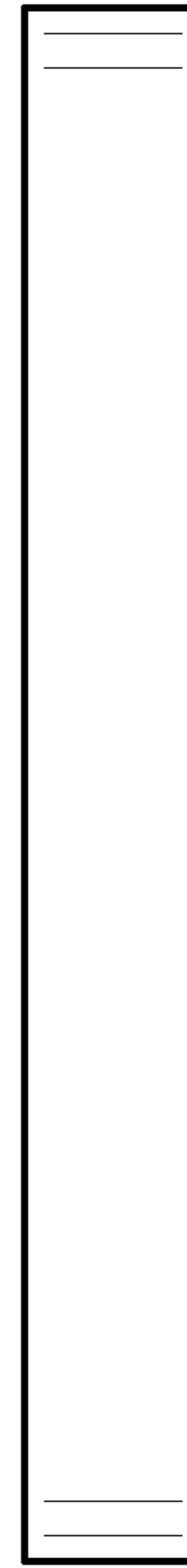


FIG. 4



FIG. 5

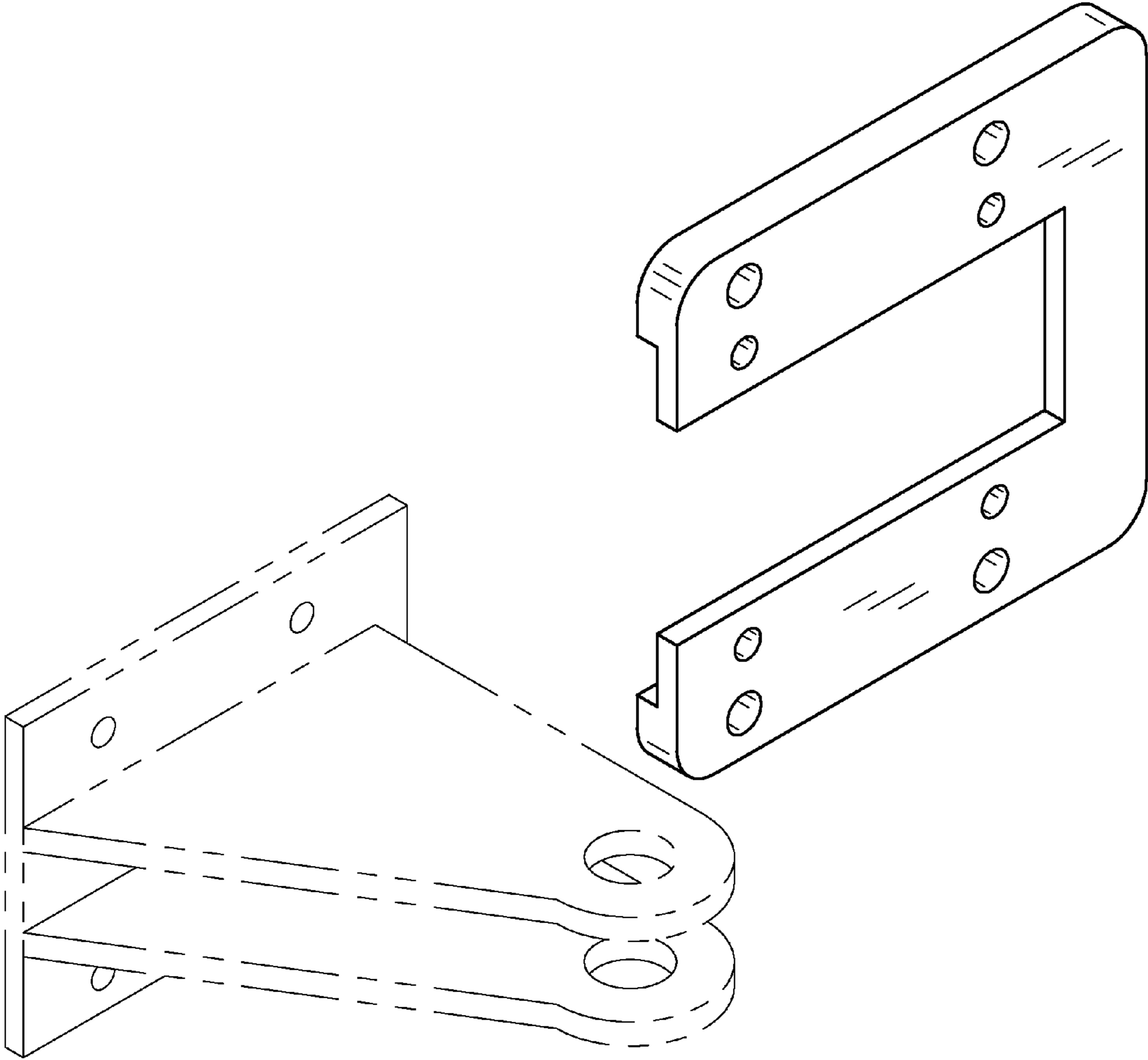


FIG. 6