

US00D605494S

(12) **United States Design Patent**  
**Plato**

(10) **Patent No.:** **US D605,494 S**  
(45) **Date of Patent:** **\*\* Dec. 8, 2009**

(54) **LOCK**

(75) Inventor: **Lea Marie Plato**, Milwaukee, WI (US)

(73) Assignee: **Master Lock Company, LLC**, Oak Creek, WI (US)

(\*\*) Term: **14 Years**

(21) Appl. No.: **29/324,320**

(22) Filed: **Sep. 10, 2008**

(51) **LOC (9) Cl.** ..... **08-07**

(52) **U.S. Cl.** ..... **D8/334; D8/343**

(58) **Field of Classification Search** ..... D8/334,  
D8/330, 331, 332, 333, 335, 336, 337, 338,  
D8/339, 341, 342, 343, 346, 347; 70/14,  
70/20, 21, 22, 23, 24, 25, 27, 28, 31, 32,  
70/39, 41, 52-56, 86, 314, 423, DIG. 43,  
70/DIG. 56

See application file for complete search history.

(56) **References Cited**

**U.S. PATENT DOCUMENTS**

|           |     |         |                    |        |
|-----------|-----|---------|--------------------|--------|
| 548,757   | A   | 10/1895 | Kellogg            |        |
| 1,239,010 | A   | 9/1917  | Hodges             |        |
| 1,415,327 | A   | 5/1922  | Fonos              |        |
| 1,866,273 | A   | 7/1932  | Sinner             |        |
| 1,902,214 | A   | 3/1933  | Buettner et al.    |        |
| 4,224,813 | A * | 9/1980  | Hampton            | 70/51  |
| D276,408  | S * | 11/1984 | Zabel et al.       | D8/334 |
| D397,026  | S * | 8/1998  | Drake              | D8/346 |
| D416,467  | S * | 11/1999 | Castellanos et al. | D8/334 |
| D426,763  | S * | 6/2000  | Adler et al.       | D8/334 |
| D427,884  | S * | 7/2000  | Castellanos et al. | D8/334 |
| D433,314  | S * | 11/2000 | Mimlitch et al.    | D8/346 |
| D455,639  | S * | 4/2002  | McDaid et al.      | D8/346 |

|           |      |         |                  |         |
|-----------|------|---------|------------------|---------|
| D476,216  | S *  | 6/2003  | Vito             | D8/334  |
| 6,718,803 | B2 * | 4/2004  | Knoll            | 70/26   |
| D512,901  | S *  | 12/2005 | Haber            | D8/346  |
| 6,993,943 | B1 * | 2/2006  | Chang            | 70/38 B |
| D528,401  | S *  | 9/2006  | Ruan             | D8/343  |
| D533,764  | S *  | 12/2006 | Heppner          | D8/343  |
| D537,703  | S *  | 3/2007  | Kearns et al.    | D8/334  |
| D541,228  | S *  | 4/2007  | Thursfield       | D13/168 |
| D541,630  | S *  | 5/2007  | Blomstrom et al. | D8/334  |
| D545,177  | S *  | 6/2007  | Vito             | D8/343  |
| D569,226  | S *  | 5/2008  | Brewster et al.  | D8/346  |

\* cited by examiner

*Primary Examiner*—Prabhakar Deshmukh

*Assistant Examiner*—Derrick Holland

(74) *Attorney, Agent, or Firm*—Calfee, Halter & Griswold LLP

(57) **CLAIM**

I claim the ornamental design for a lock, as shown and described.

**DESCRIPTION**

FIG. 1 is a front perspective view of a lock showing my new design;

FIG. 2 is a front elevation view thereof;

FIG. 3 is a rear elevation view thereof;

FIG. 4 is a left side view thereof;

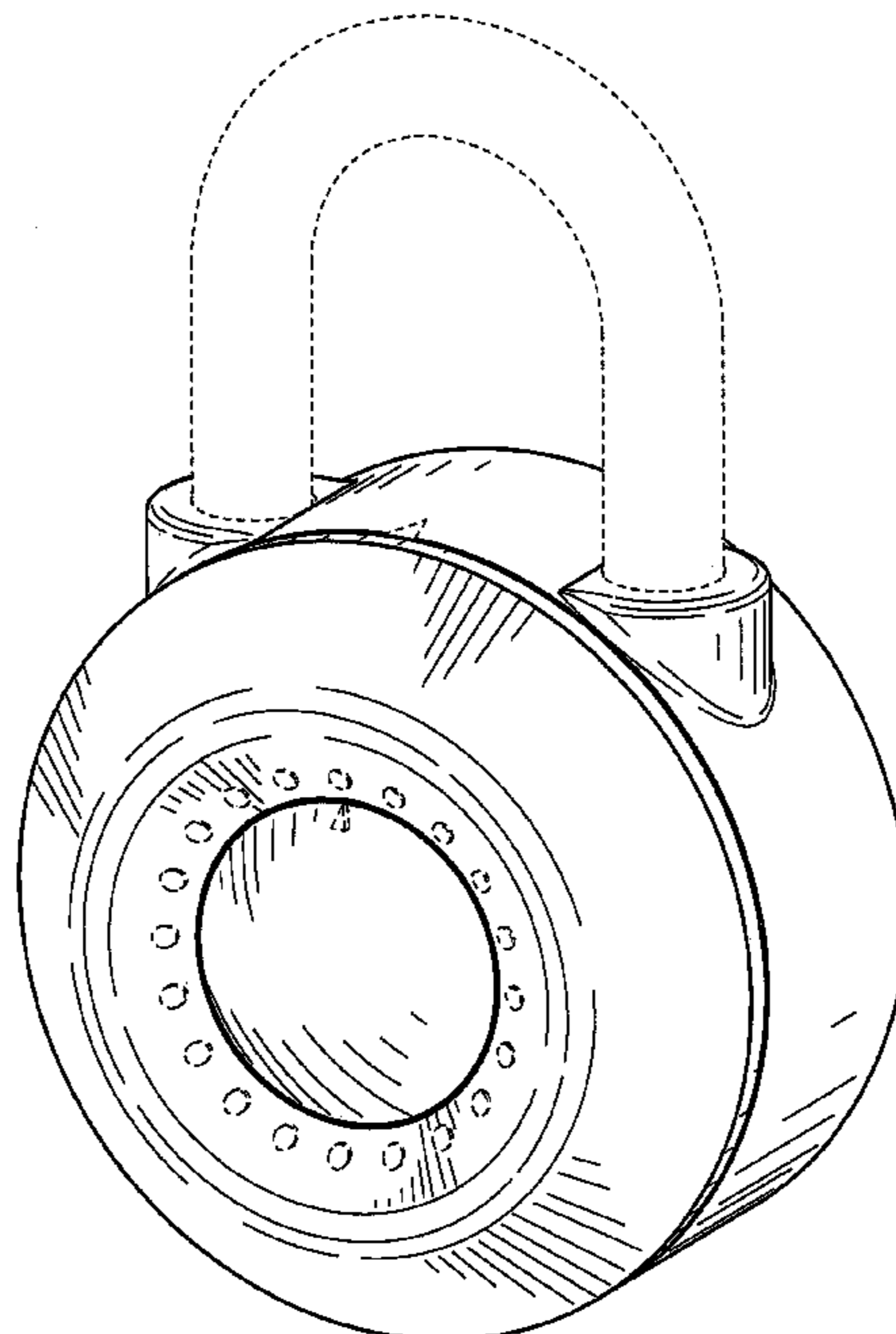
FIG. 5 is a right side view thereof;

FIG. 6 is a top plan view thereof; and,

FIG. 7 is a bottom plan view thereof.

The portions of the Figures shown in phantom lines form no part of the claimed design and for illustrative purposes only.

**1 Claim, 4 Drawing Sheets**



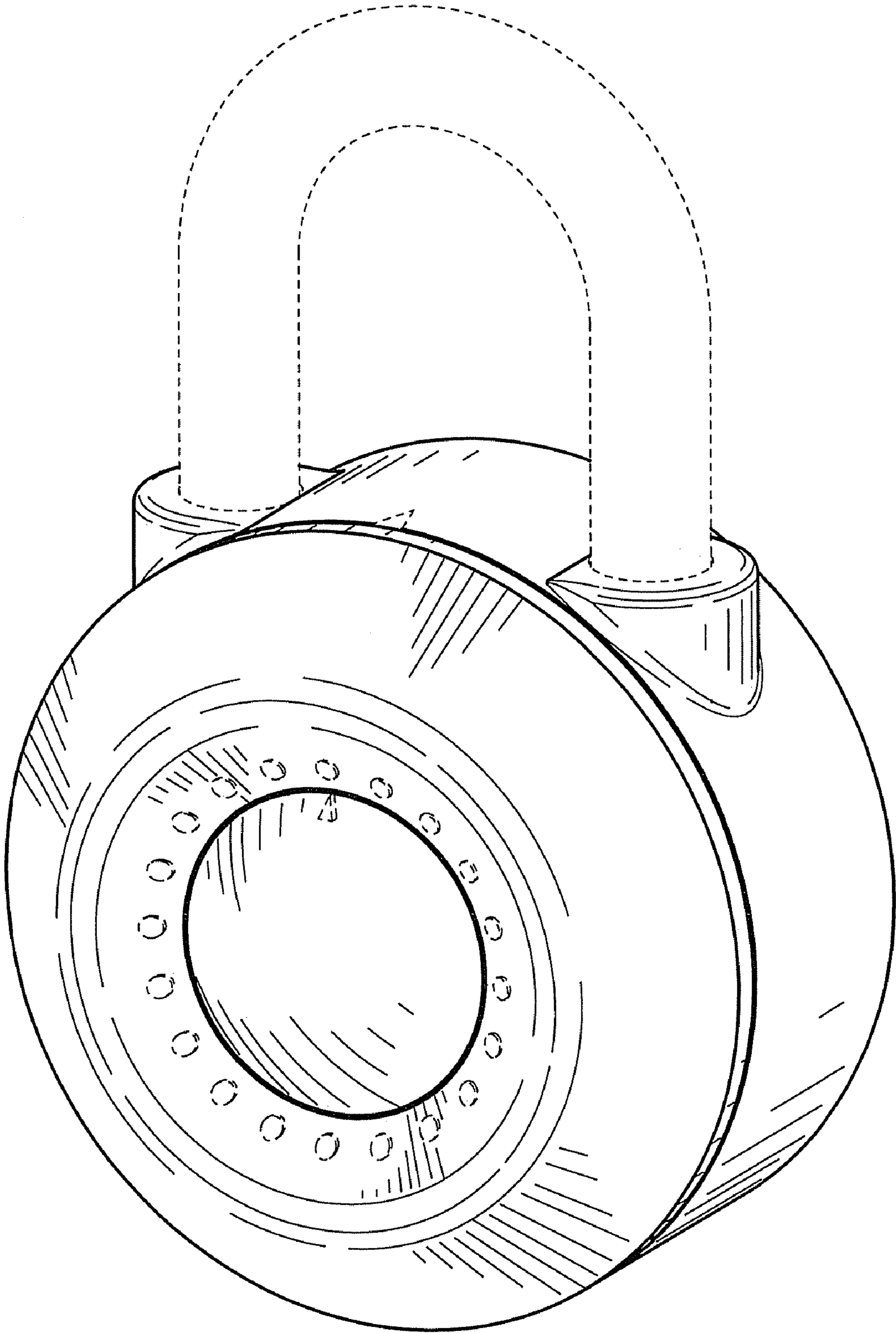


Fig. 1

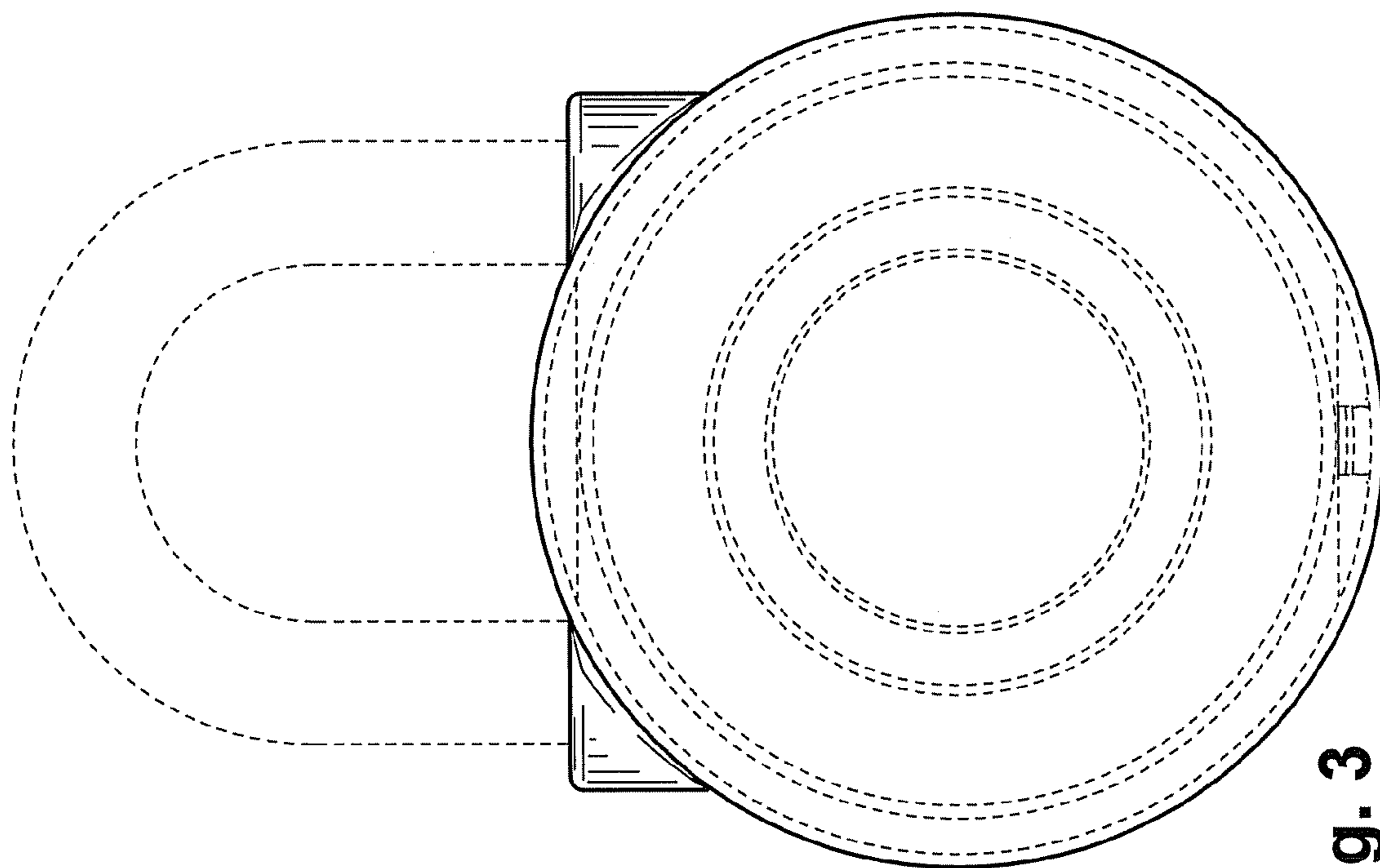


Fig. 3

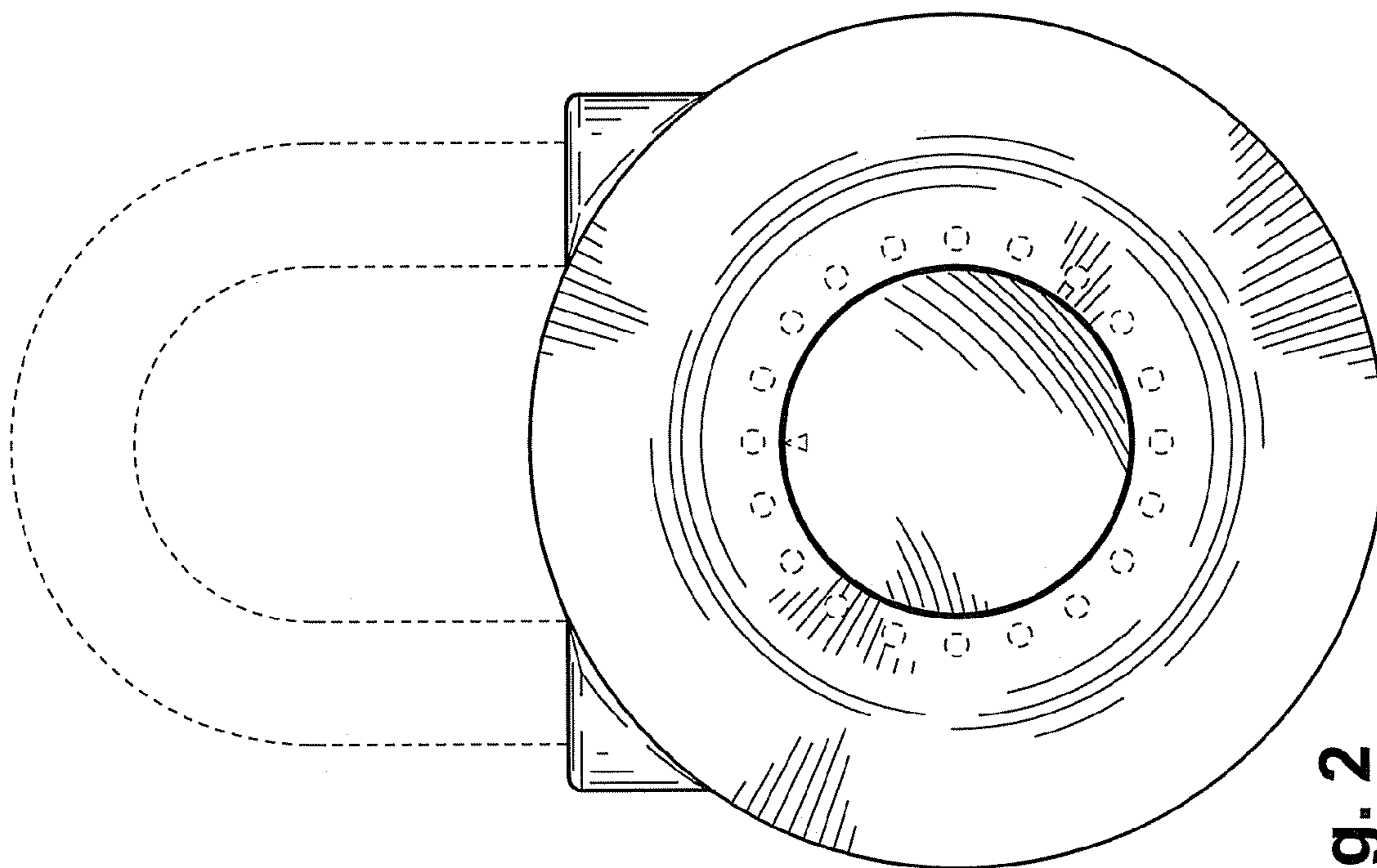


Fig. 2

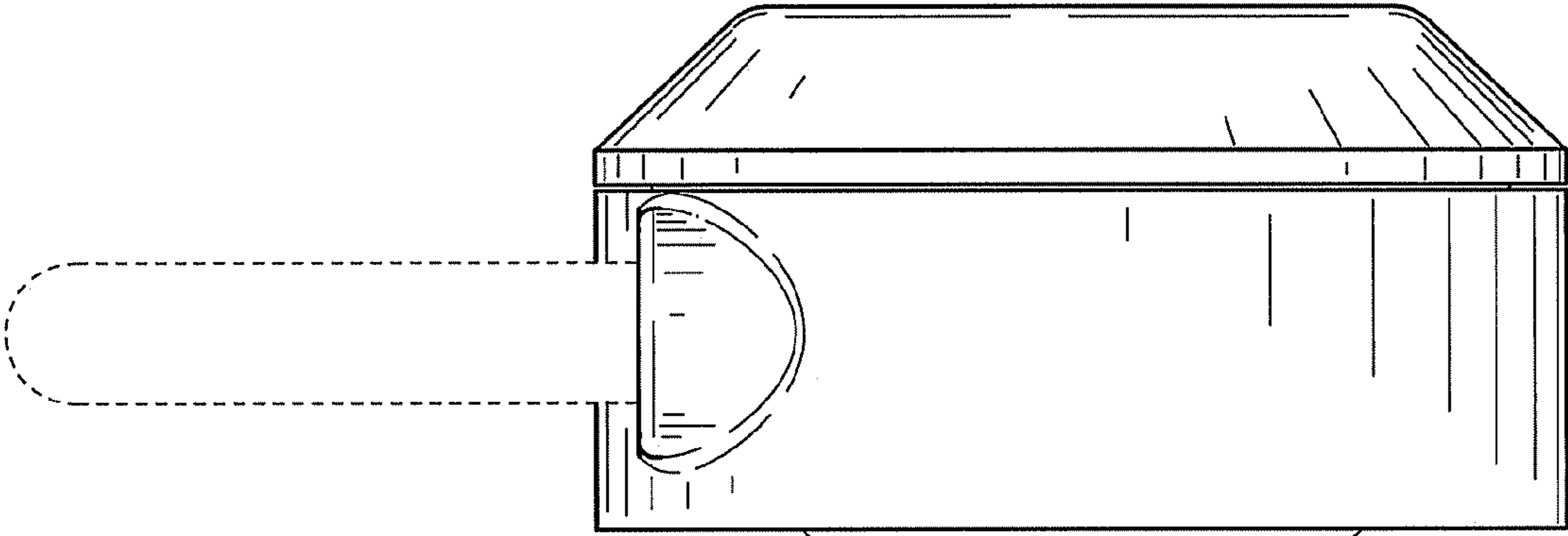


Fig. 5

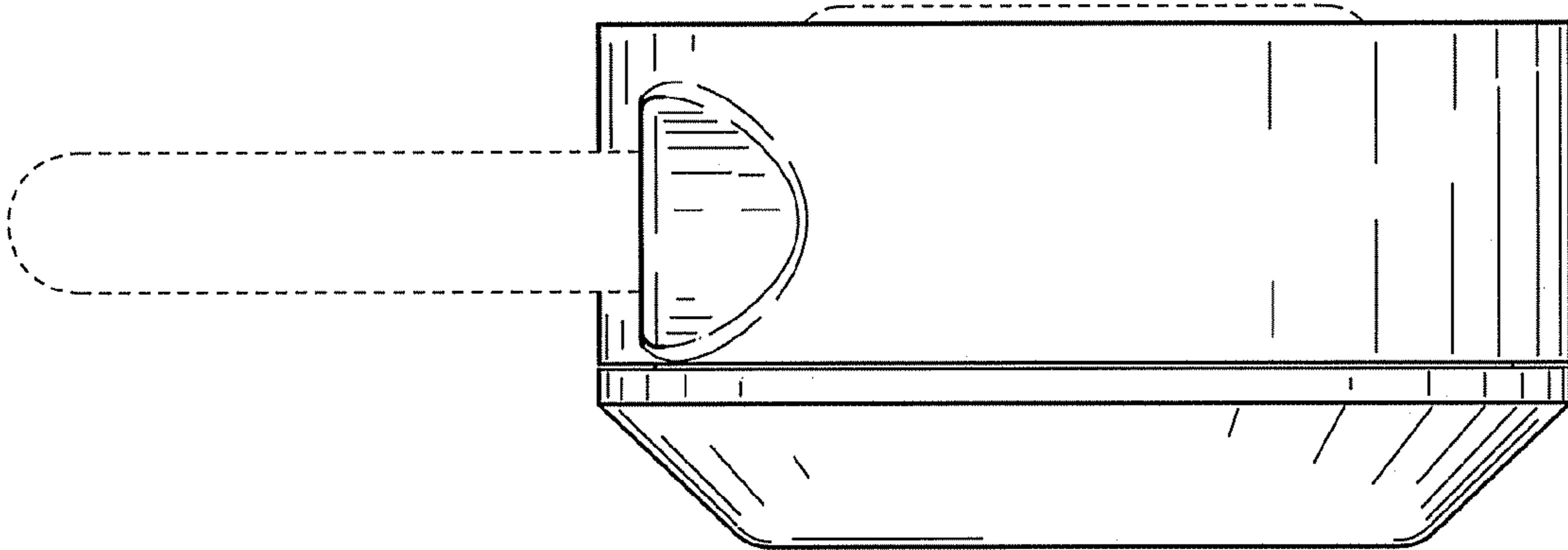


Fig. 4

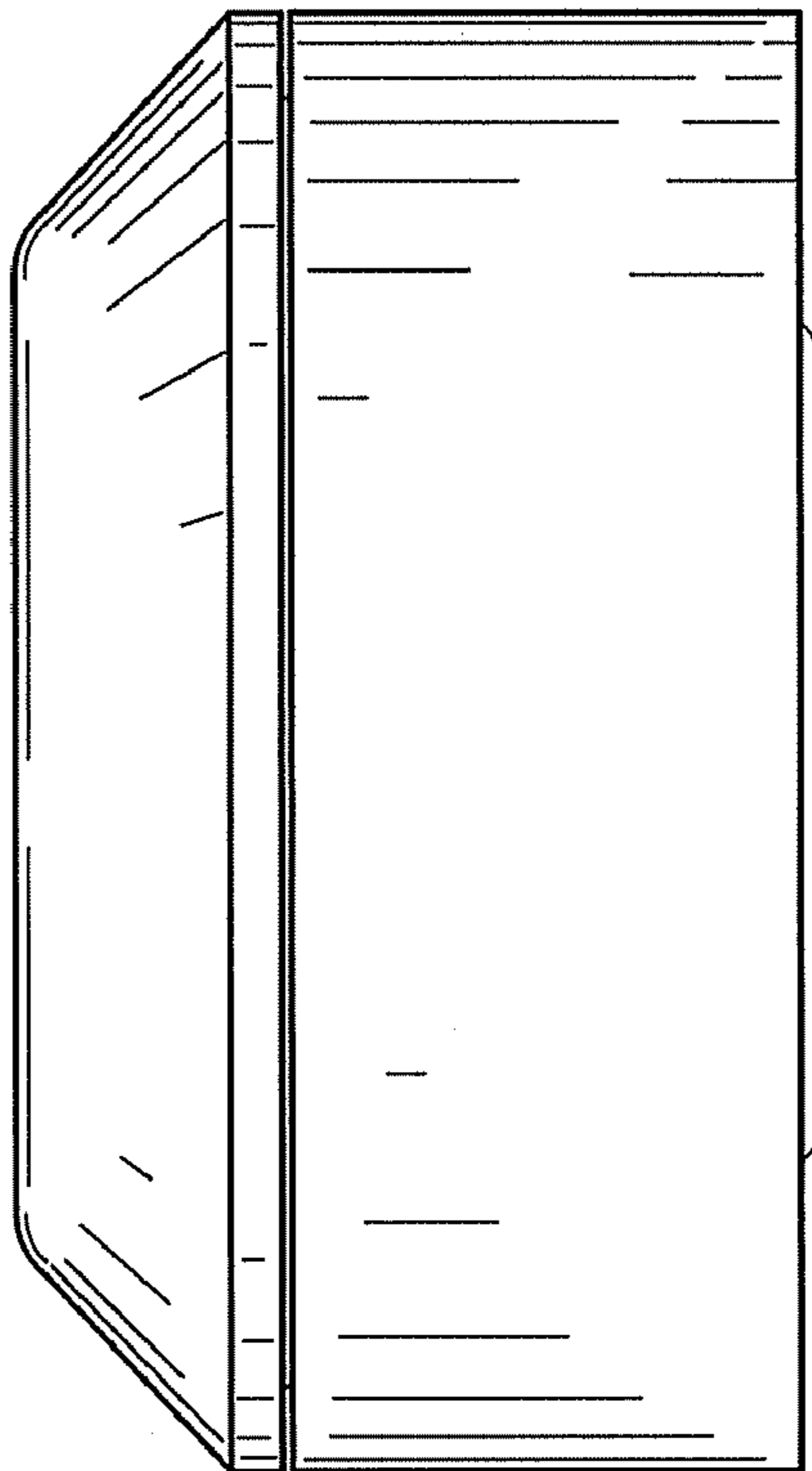


Fig. 7

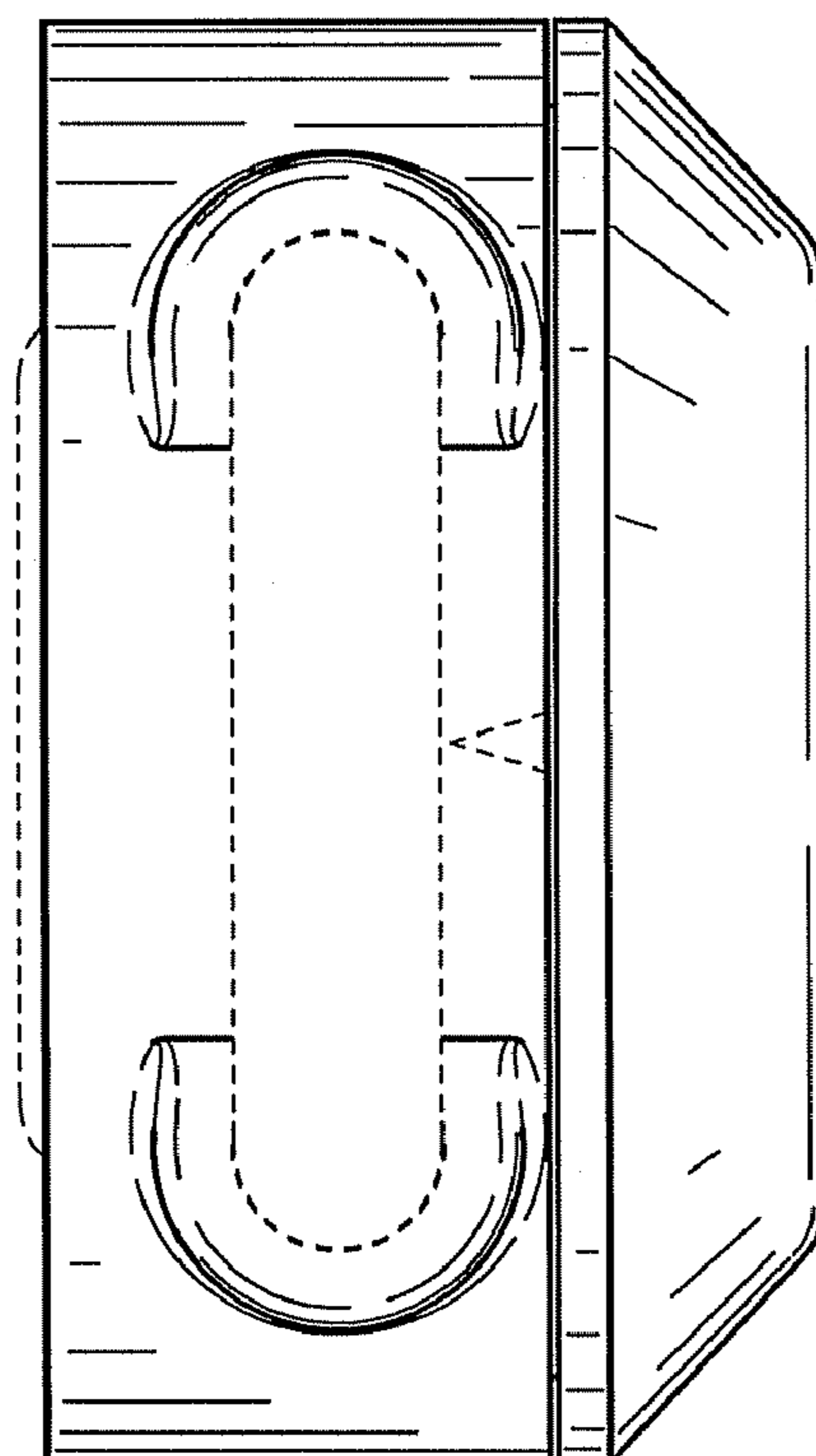


Fig. 6