

US00D605493S

(12) **United States Design Patent**
Tejszerski

(10) **Patent No.:** **US D605,493 S**
(45) **Date of Patent:** **** Dec. 8, 2009**

(54) **TOGGLE LATCH**

(75) Inventor: **Filip Tejszerski**, Newport (AU)

(73) Assignee: **D & D Group Pty Ltd**, Frenchs Forest (AU)

(**) Term: **14 Years**

(21) Appl. No.: **29/323,906**

(22) Filed: **Sep. 3, 2008**

(51) **LOC (9) Cl.** **08-07**

(52) **U.S. Cl.** **D8/331; D8/339**

(58) **Field of Classification Search** D8/330,
D8/331, 343, 339, 349, 341; 70/107-111,
70/114, 118, 141, 488, 162; 292/2, 32, 63,
292/137, 174

See application file for complete search history.

(56) **References Cited**

U.S. PATENT DOCUMENTS

3,046,776	A *	7/1962	Marotto et al.	70/97
3,319,186	A *	5/1967	Lam	331/116 R
D212,861	S *	12/1968	Raymond	D8/341
3,591,219	A *	7/1971	Graziosi	292/207
3,794,366	A *	2/1974	Graham	292/144
D301,116	S *	5/1989	Foshee et al.	D8/331
D371,503	S *	7/1996	Nakano	D8/331

D484,389	S *	12/2003	Evans	D8/331
D495,235	S *	8/2004	Burrows	D8/341
D502,859	S *	3/2005	Peng et al.	D8/331
7,296,448	B1 *	11/2007	Shaw	70/283
2008/0016923	A1 *	1/2008	Zheng	70/92

* cited by examiner

Primary Examiner—Prabhakar Deshmukh

(74) *Attorney, Agent, or Firm*—Kelly Lowry & Kelley LLP

(57) **CLAIM**

The ornamental design for a toggle latch, as shown and described.

DESCRIPTION

FIG. 1 is a perspective view of a toggle latch showing the inventive design;

FIG. 2 is a front elevational view thereof;

FIG. 3 is a side elevational view thereof from the right;

FIG. 4 is a top plan view thereof;

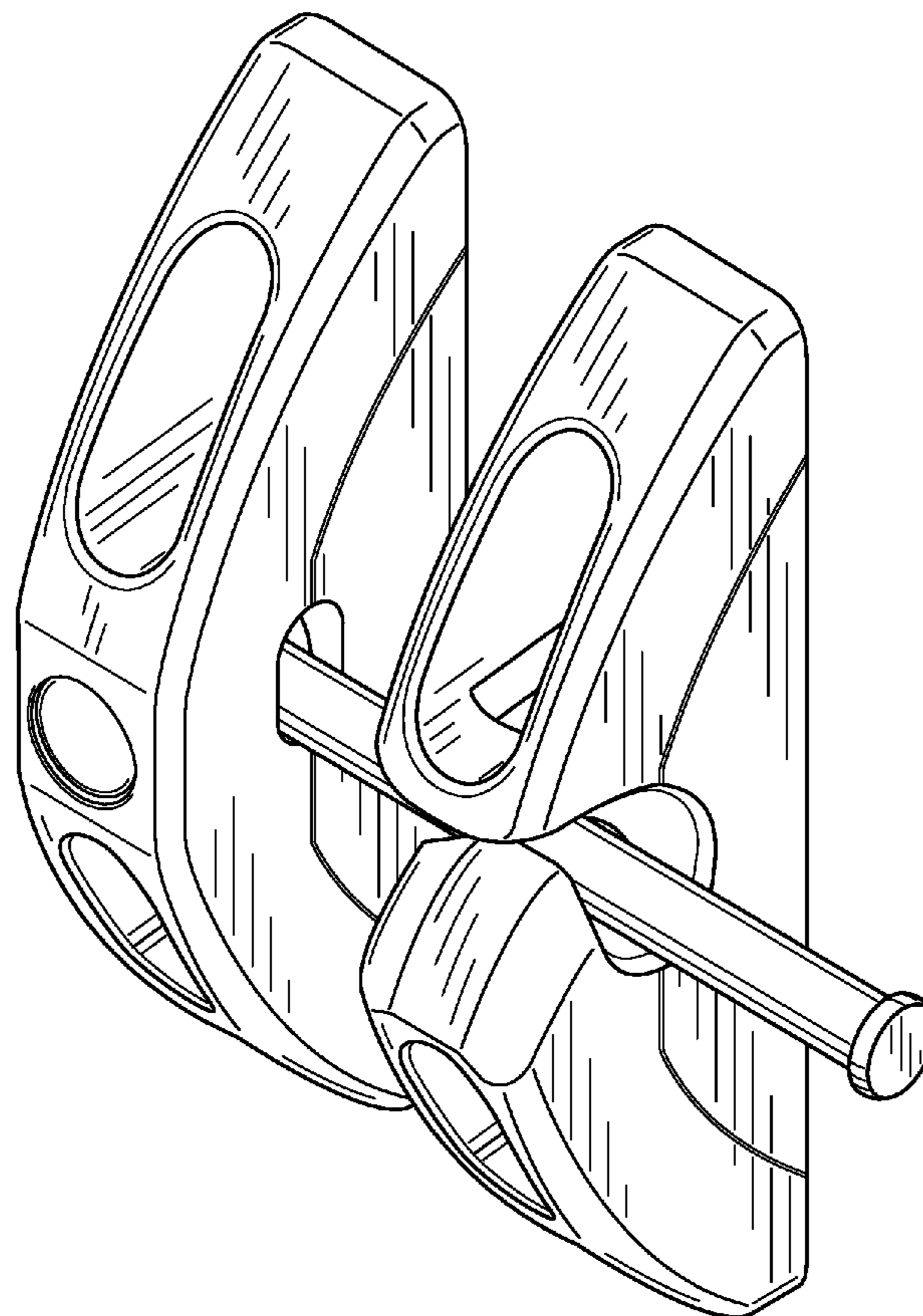
FIG. 5 is a side elevational view thereof from the left;

FIG. 6 is a rear elevational view thereof; and,

FIG. 7 is a bottom plan view thereof.

The broken lines are for illustrative purpose only and form no part of the claimed design.

1 Claim, 3 Drawing Sheets



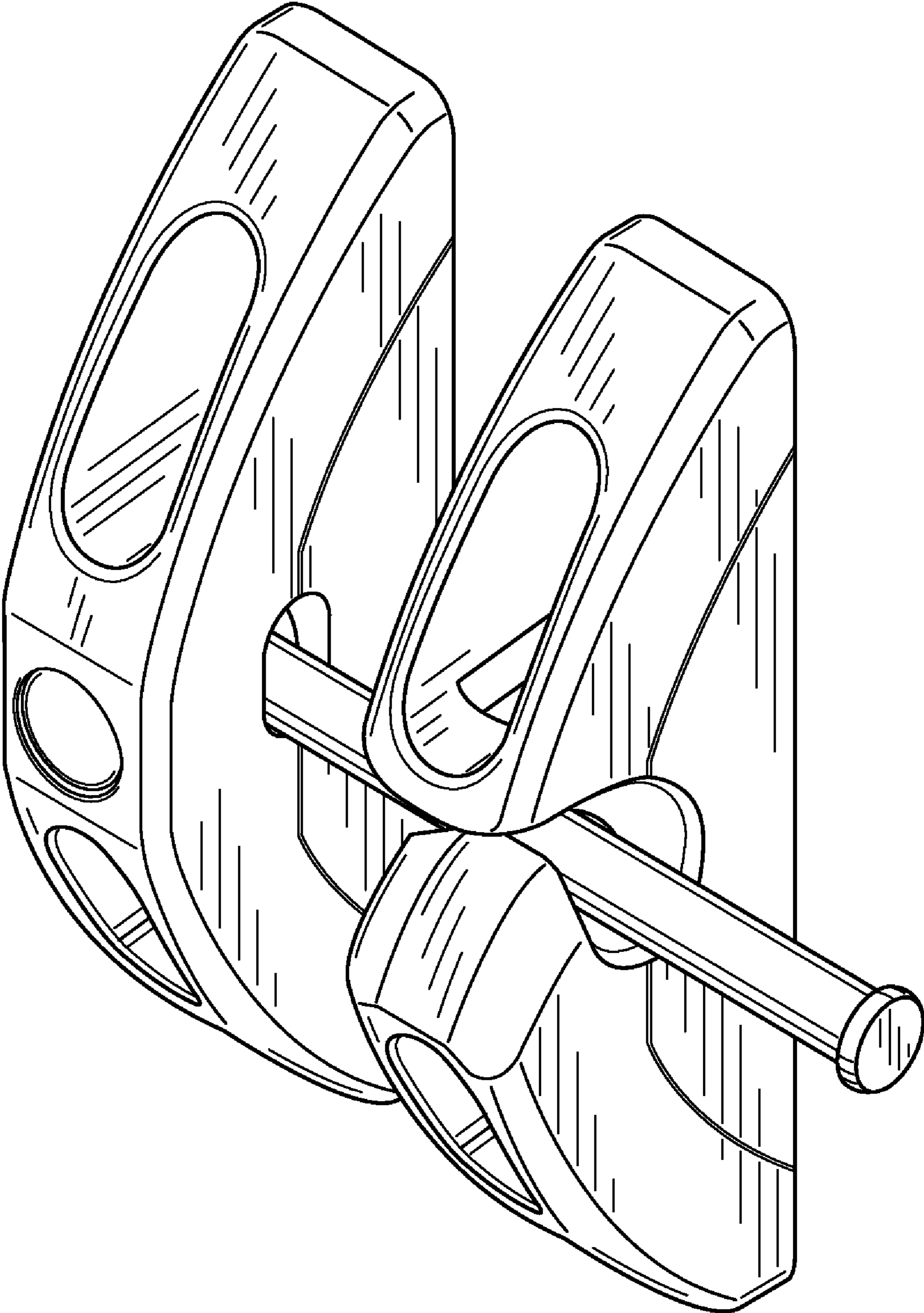


FIG. 1

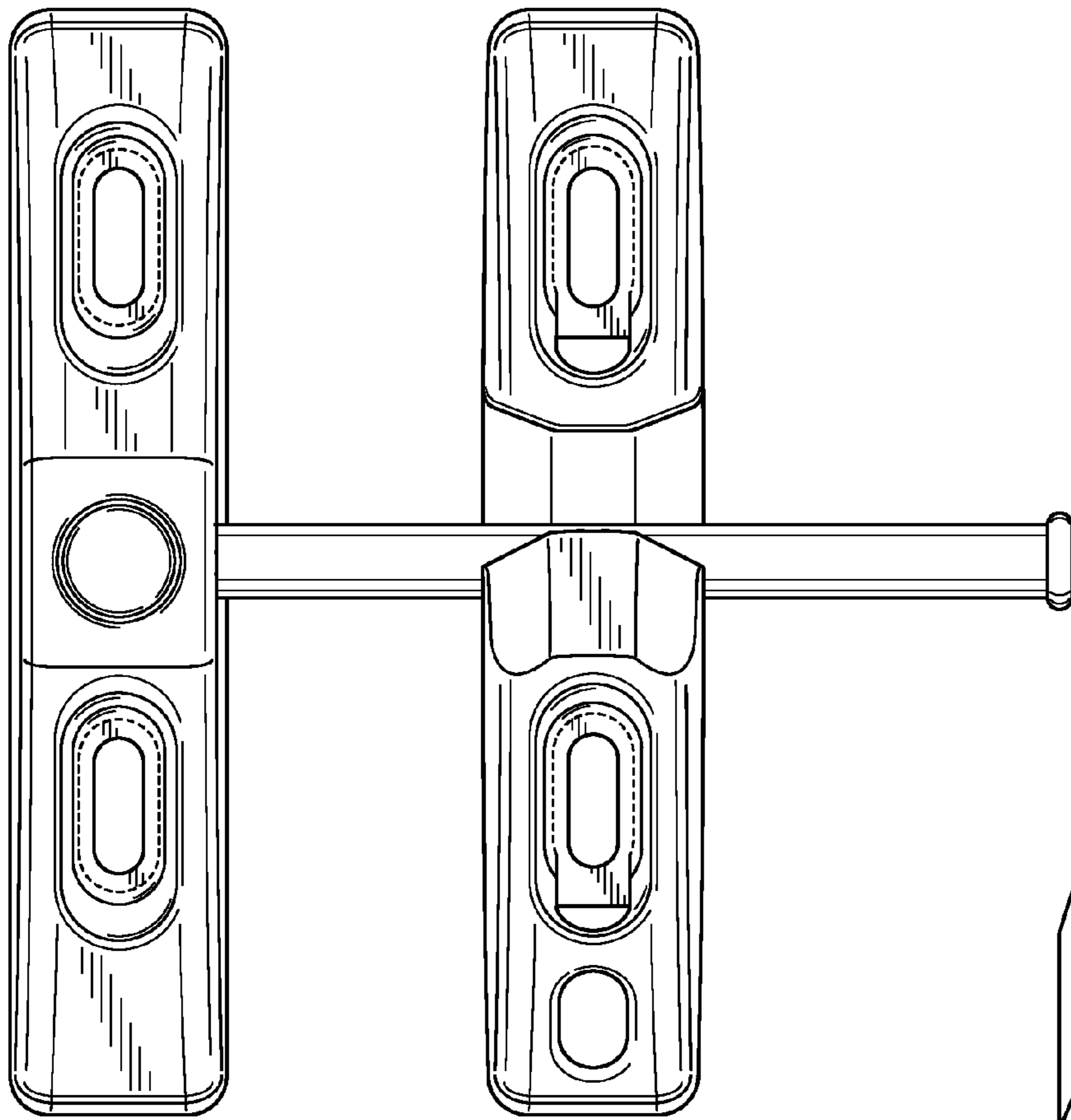


FIG. 2

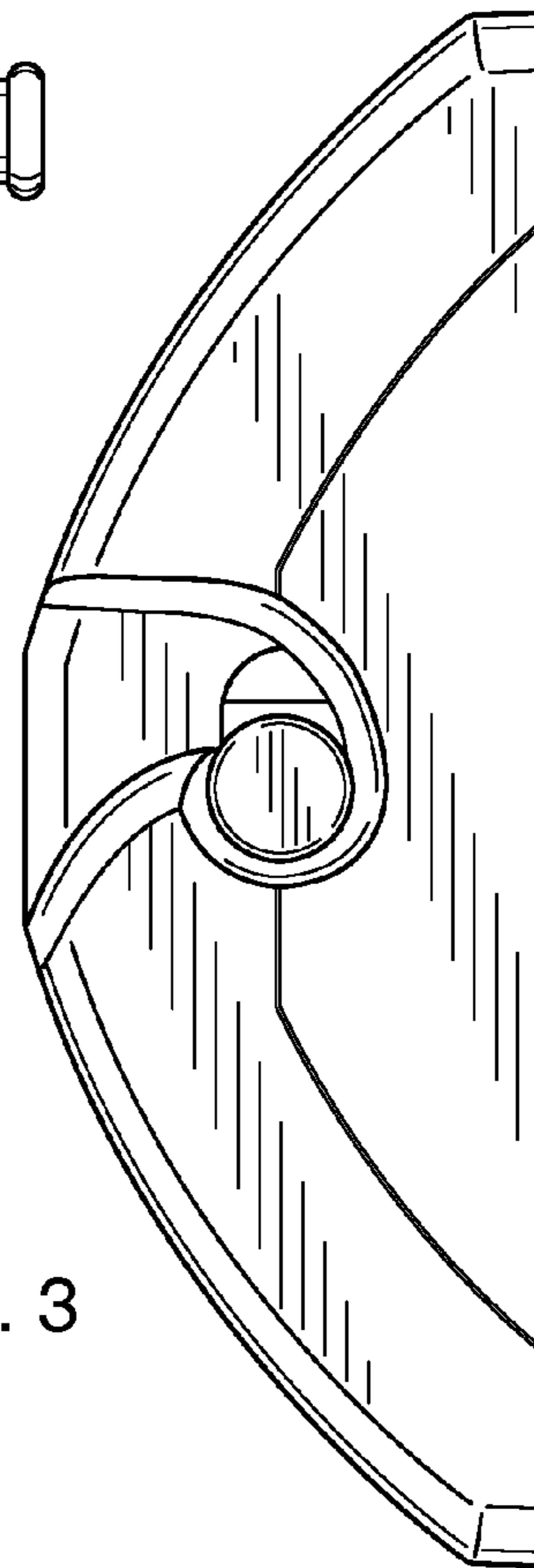


FIG. 3

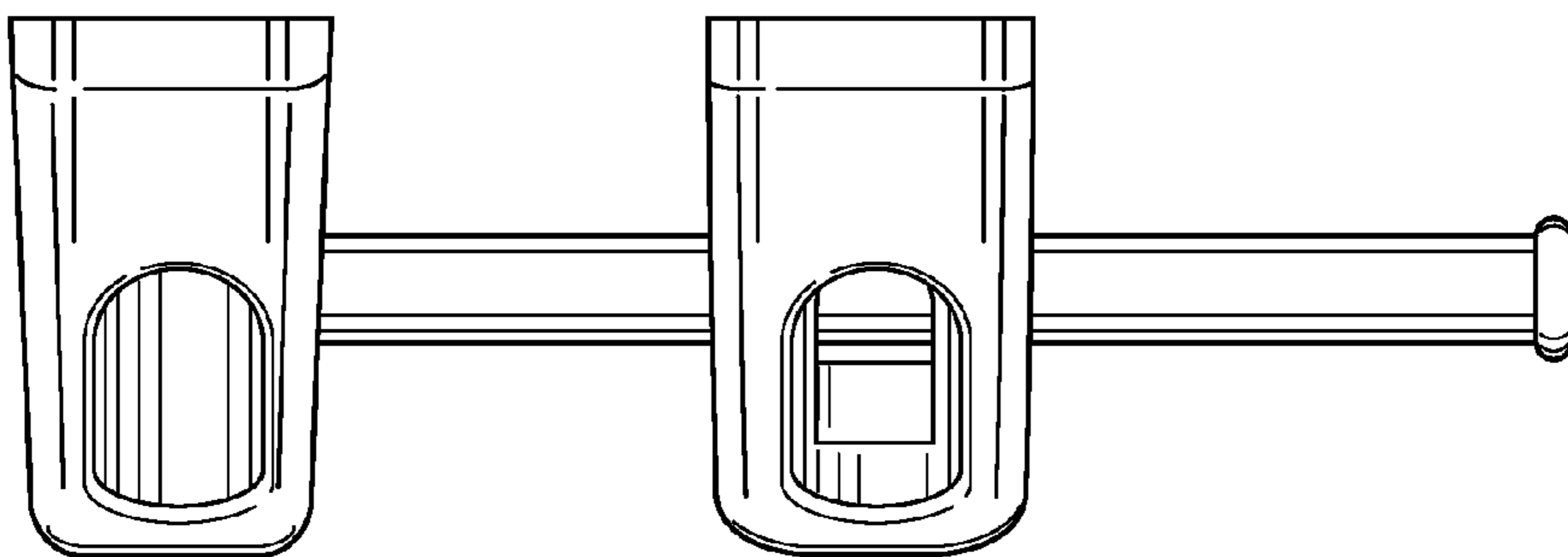


FIG. 4

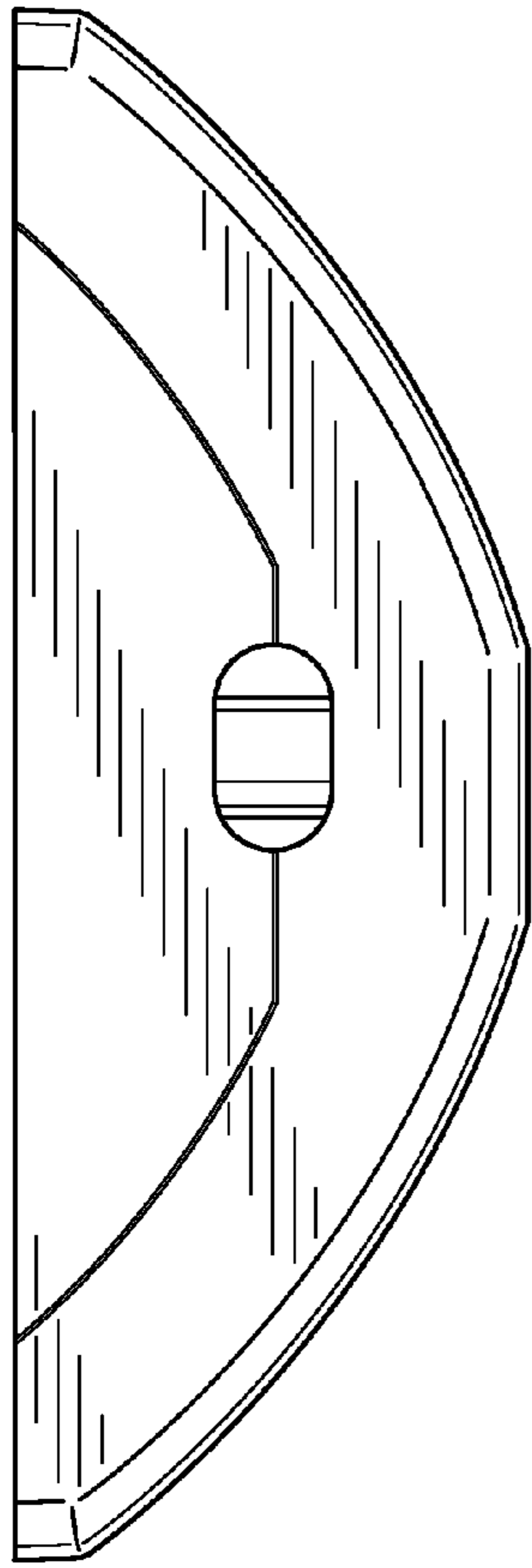


FIG. 5

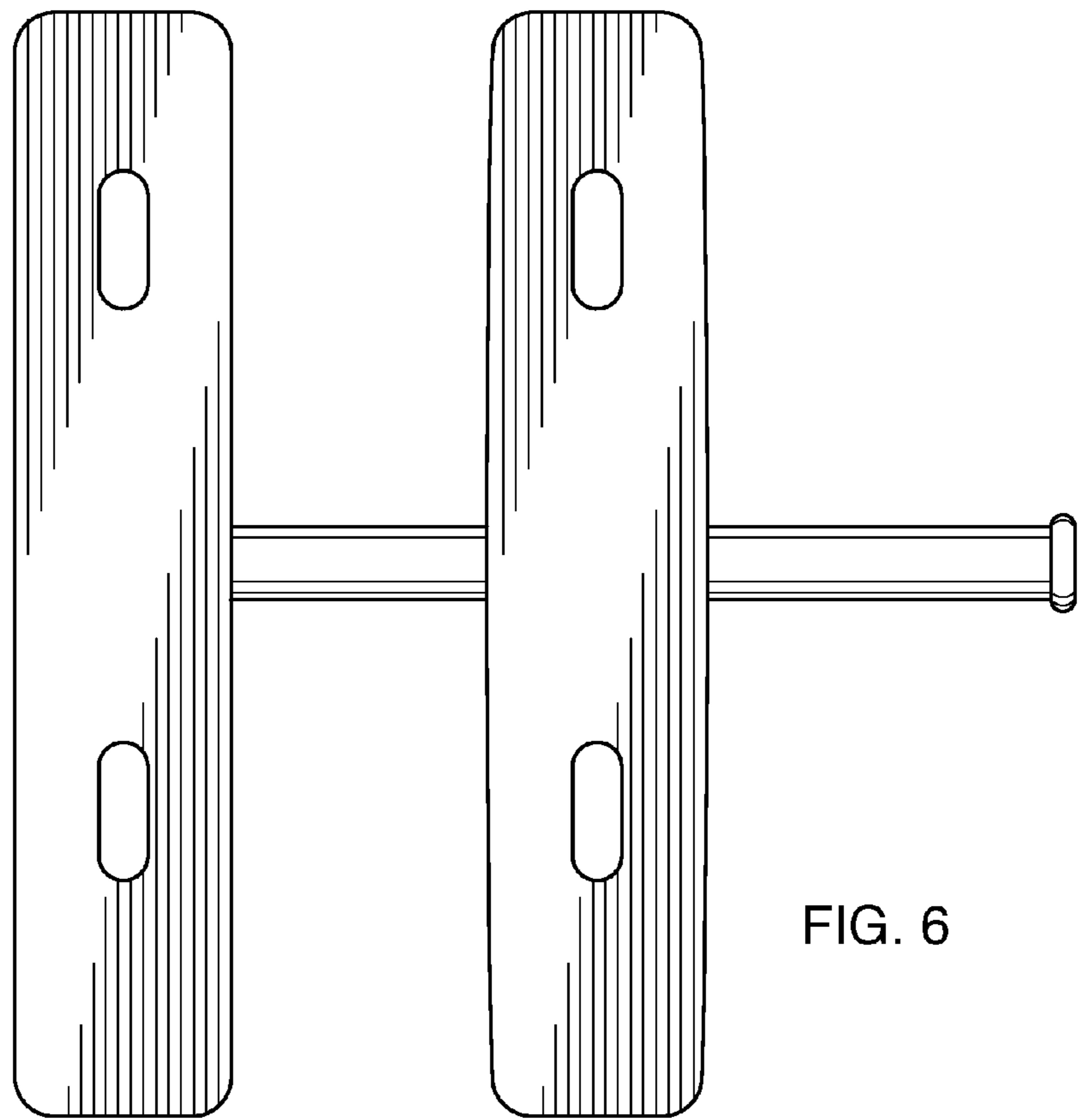


FIG. 6

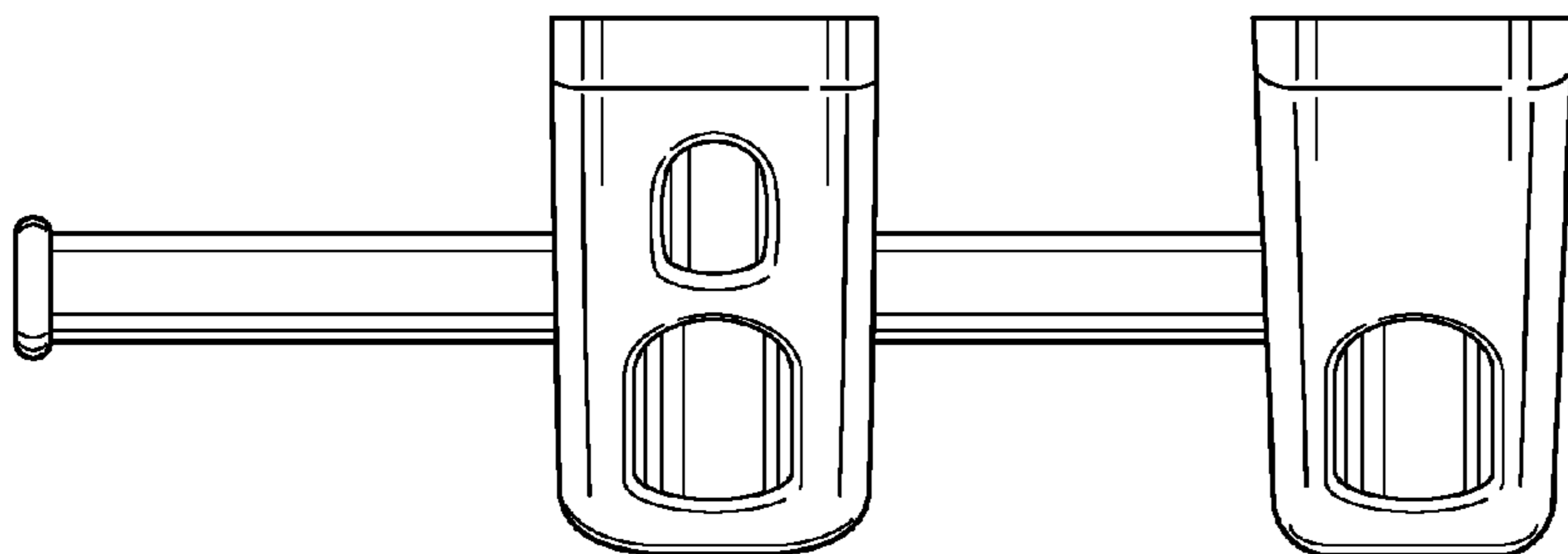


FIG. 7