



US00D605492S

(12) **United States Design Patent**
De Leone

(10) **Patent No.:** **US D605,492 S**

(45) **Date of Patent:** **** Dec. 8, 2009**

(54) **FLOOR SIGN HINGE WITH HANDLE BAR**

(76) **Inventor:** **Francis De Leone**, 29962 Ave De Las Banderas, Rancho Santa Margarita, CA (US) 92688

(**) **Term:** **14 Years**

(21) **Appl. No.:** **29/314,707**

(22) **Filed:** **Apr. 21, 2009**

(51) **LOC (9) Cl.** **08-08**

(52) **U.S. Cl.** **D8/323**

(58) **Field of Classification Search** D8/355, D8/381, 323-330; 4/236, 240; D23/302; 16/309, 235, 275, 244, 379, 390, 430, 241, 16/238, 245, 236, 243, 242; 49/381
See application file for complete search history.

(56) **References Cited**

U.S. PATENT DOCUMENTS

D45,823	S *	5/1914	Stedman	D8/326
1,343,526	A *	6/1920	Smith	211/24
D188,782	S *	9/1960	Benham	D8/323
D260,600	S *	9/1981	Taylor	D8/356
D262,188	S *	12/1981	Thompson	D8/329
6,336,249	B1 *	1/2002	Plumley	16/225
6,389,644	B1 *	5/2002	Russo	16/382

6,484,363	B1 *	11/2002	Chung	16/242
D495,233	S *	8/2004	Twomey	D8/326
D523,322	S *	6/2006	Thurston et al.	D8/323
D562,108	S *	2/2008	Pester et al.	D8/323
2009/0241293	A1 *	10/2009	Swerdlick	16/430

* cited by examiner

Primary Examiner—Rob Spear

Assistant Examiner—Cynthia Underwood

(57) **CLAIM**

The ornamental design for a floor sign hinge with handle bar, as shown and described.

DESCRIPTION

FIG. 1 is a top perspective view of a floor sign hinge with handle bar showing my design;

FIG. 2 is a right side elevation thereof, and left side view is being identical to right side;

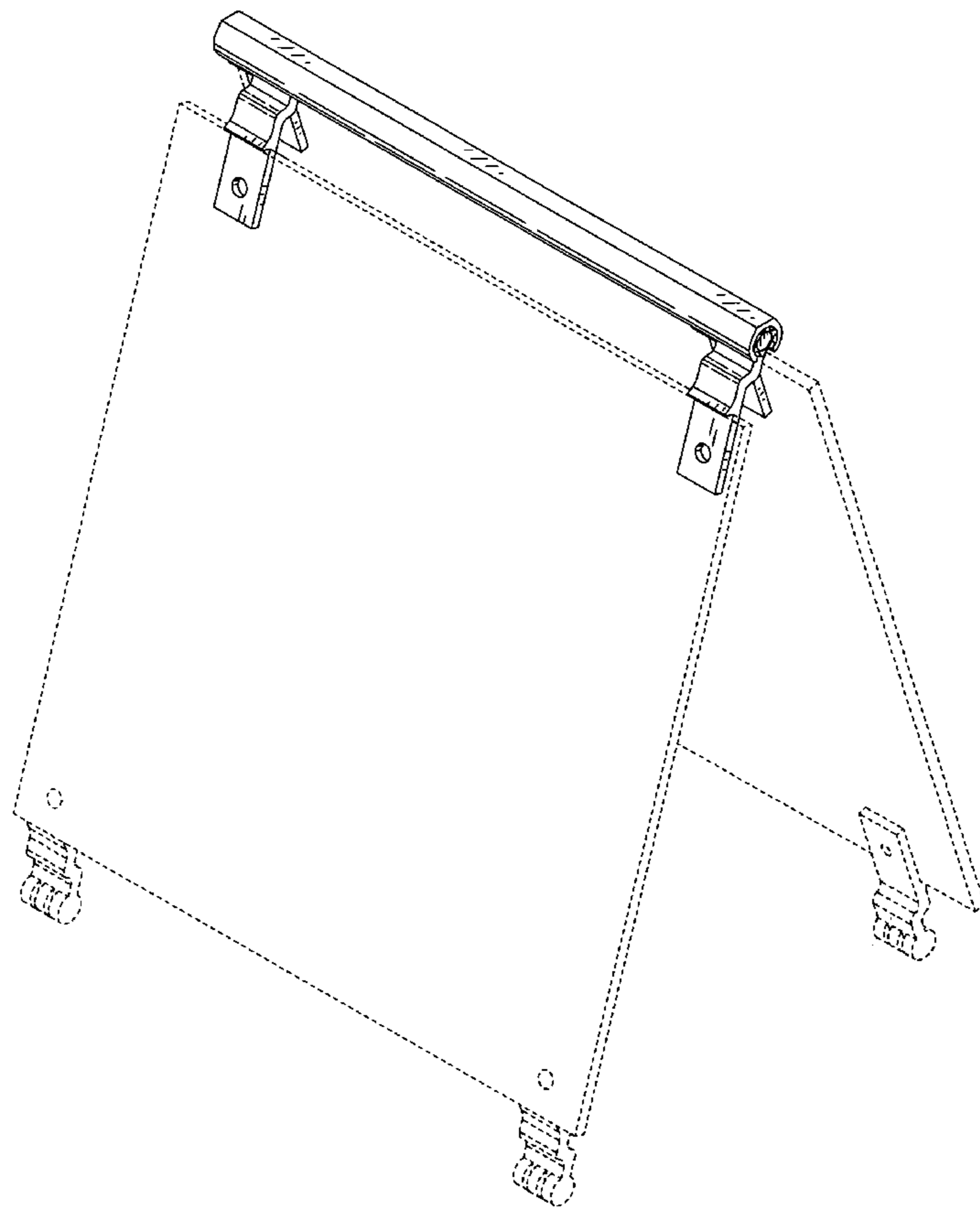
FIG. 3 is a top plan view thereof;

FIG. 4 is a front elevation view thereof, and rear view is being identical to front view; and,

FIG. 5 is a bottom plan view thereof.

The broken lines in the drawings represent unclaimed environmental subject matter.

1 Claim, 2 Drawing Sheets



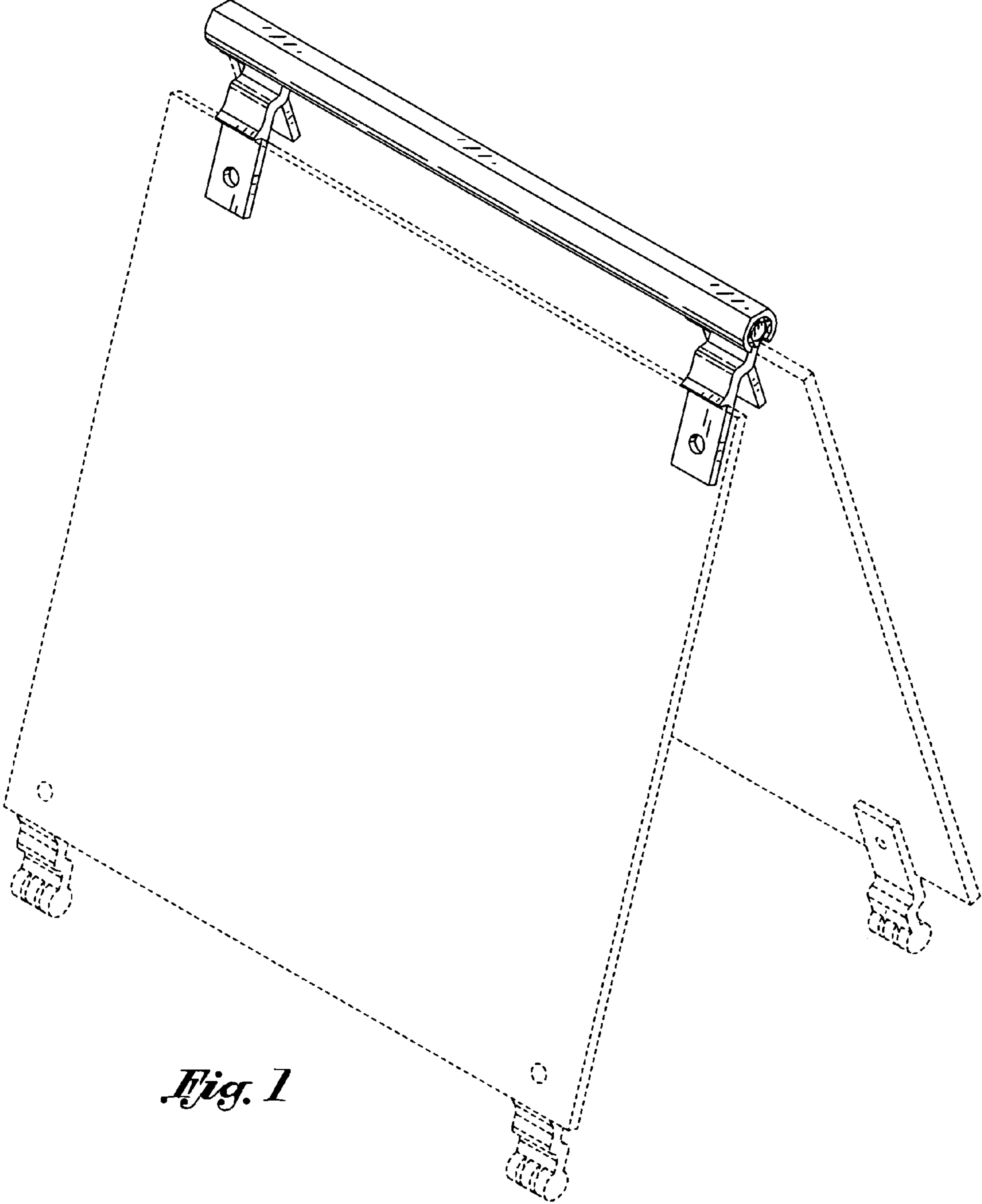


Fig. 1

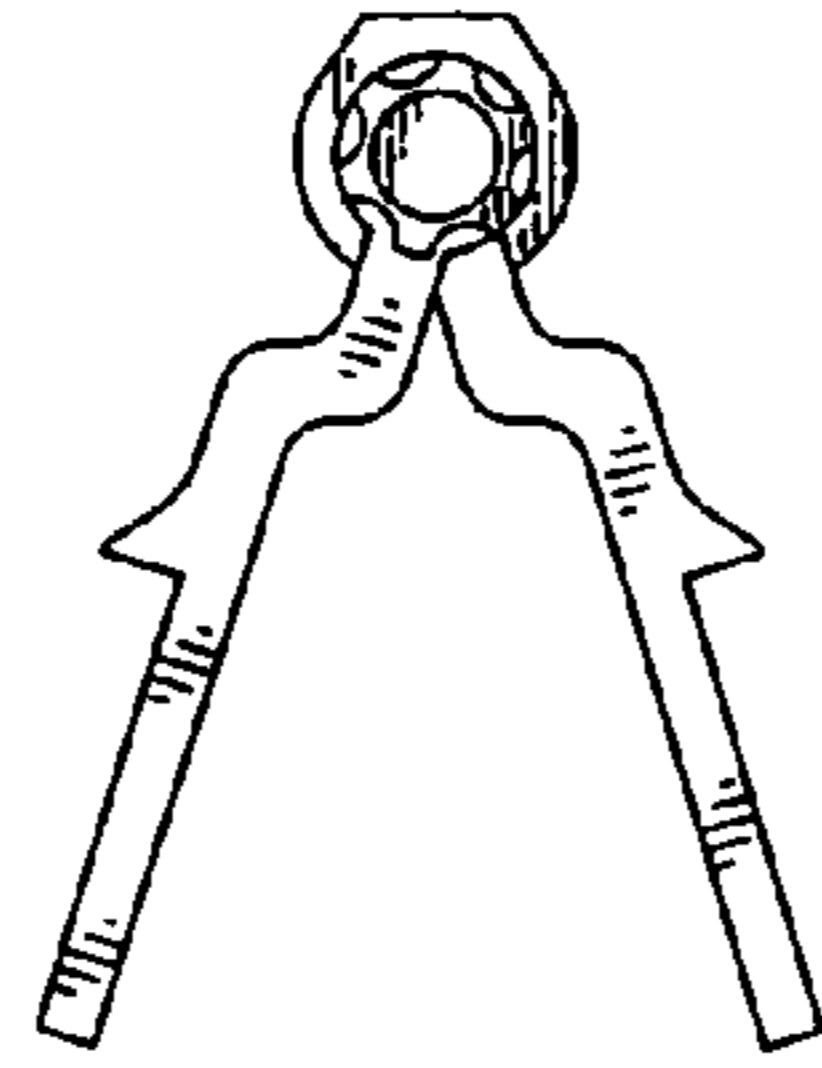


Fig. 2

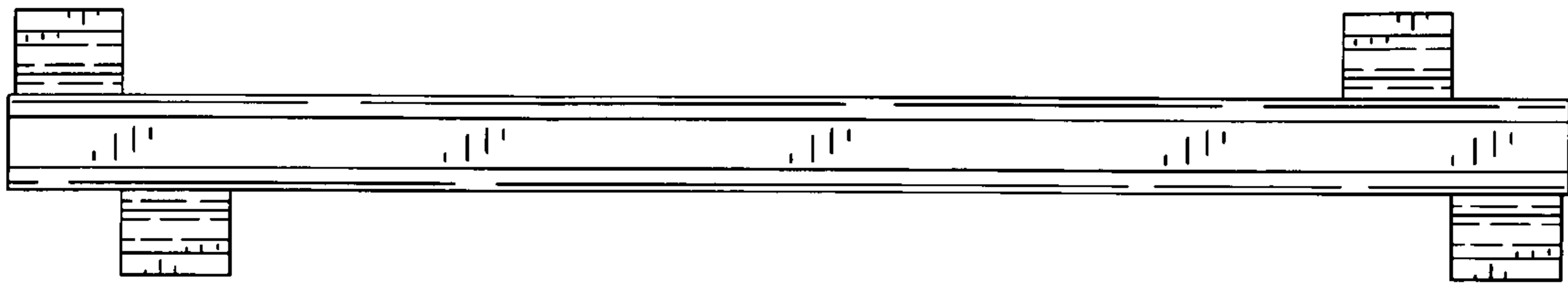


Fig. 3

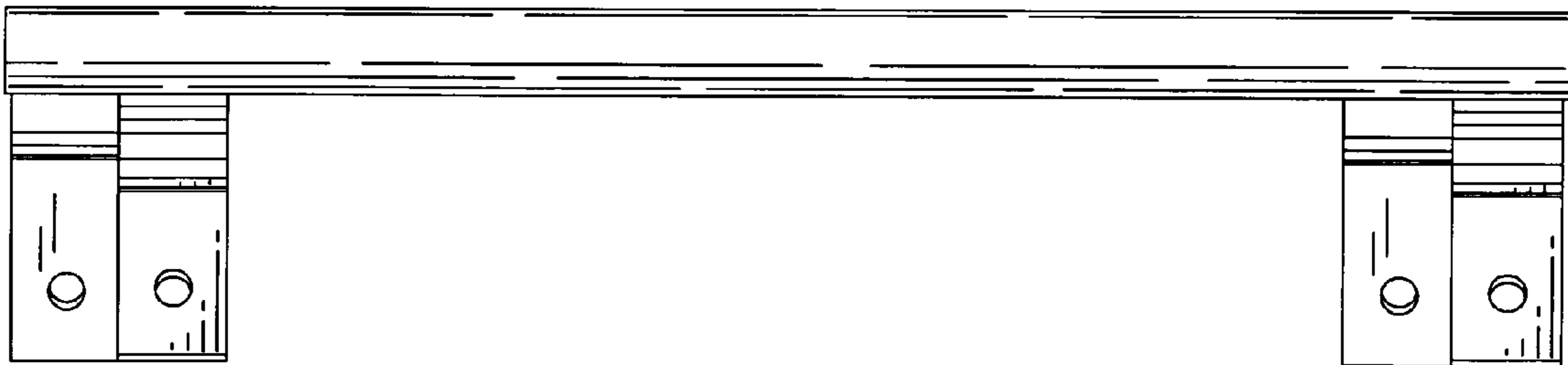


Fig. 4

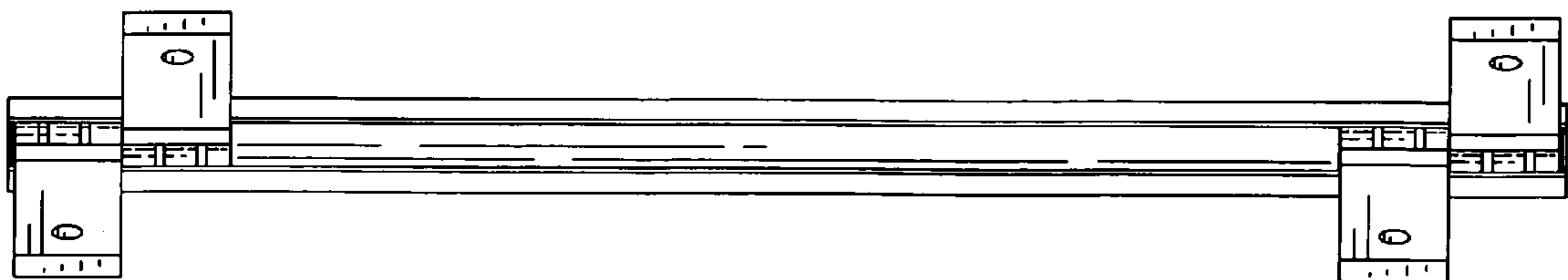


Fig. 5