

US00D605491S

(12) **United States Design Patent**
Mitomi

(10) **Patent No.:** **US D605,491 S**
(45) **Date of Patent:** **** Dec. 8, 2009**

(54) **RIVET SWAGING DEVICE**

(75) Inventor: **Katsuhiro Mitomi**, Yokohama (JP)

(73) Assignee: **NIFCO Inc.**, Yokohama-Shi,
Kanagawa-Ken (JP)

(**) Term: **14 Years**

(21) Appl. No.: **29/311,094**

(22) Filed: **Dec. 22, 2008**

(30) **Foreign Application Priority Data**

Jun. 25, 2008 (JP) 2008-016258

(51) **LOC (9) Cl.** **08-05**

(52) **U.S. Cl.** **D8/69**

(58) **Field of Classification Search** D8/61-70;
29/243, 523, 701, 243.53, 816, 812.5; 72/54,
72/449, 453.17; 310/75 R

See application file for complete search history.

(56) **References Cited**

U.S. PATENT DOCUMENTS

4,059,981 A * 11/1977 Holloway 29/812.5

6,347,449 B1 * 2/2002 Calkins et al. 29/701
6,622,363 B2 * 9/2003 Komsta 29/243.525
D503,327 S * 3/2005 Ziegert et al. D8/69
2008/0012453 A1 * 1/2008 Aasgaard 310/75 R

* cited by examiner

Primary Examiner—Antoine D Davis

(74) *Attorney, Agent, or Firm*—Manabu Kanesaka

(57) **CLAIM**

The ornamental design for a rivet swaging device, as shown and described.

DESCRIPTION

FIG. 1 is a perspective view of a rivet swaging device showing my new design;

FIG. 2 is a front view thereof;

FIG. 3 is a right side view thereof;

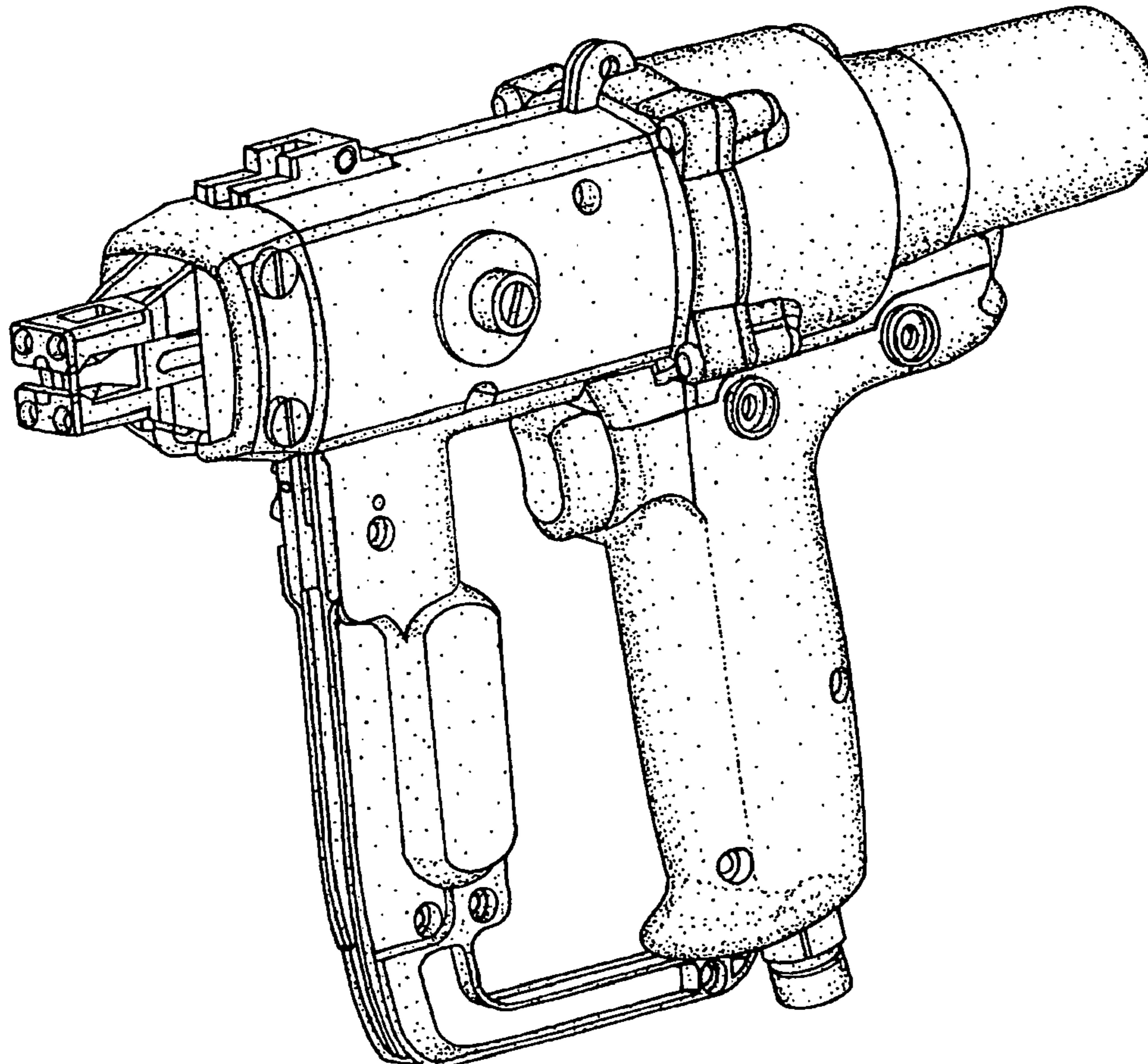
FIG. 4 is a left side view thereof;

FIG. 5 is a plan view thereof;

FIG. 6 is a bottom view thereof; and,

FIG. 7 is a rear view thereof.

1 Claim, 6 Drawing Sheets



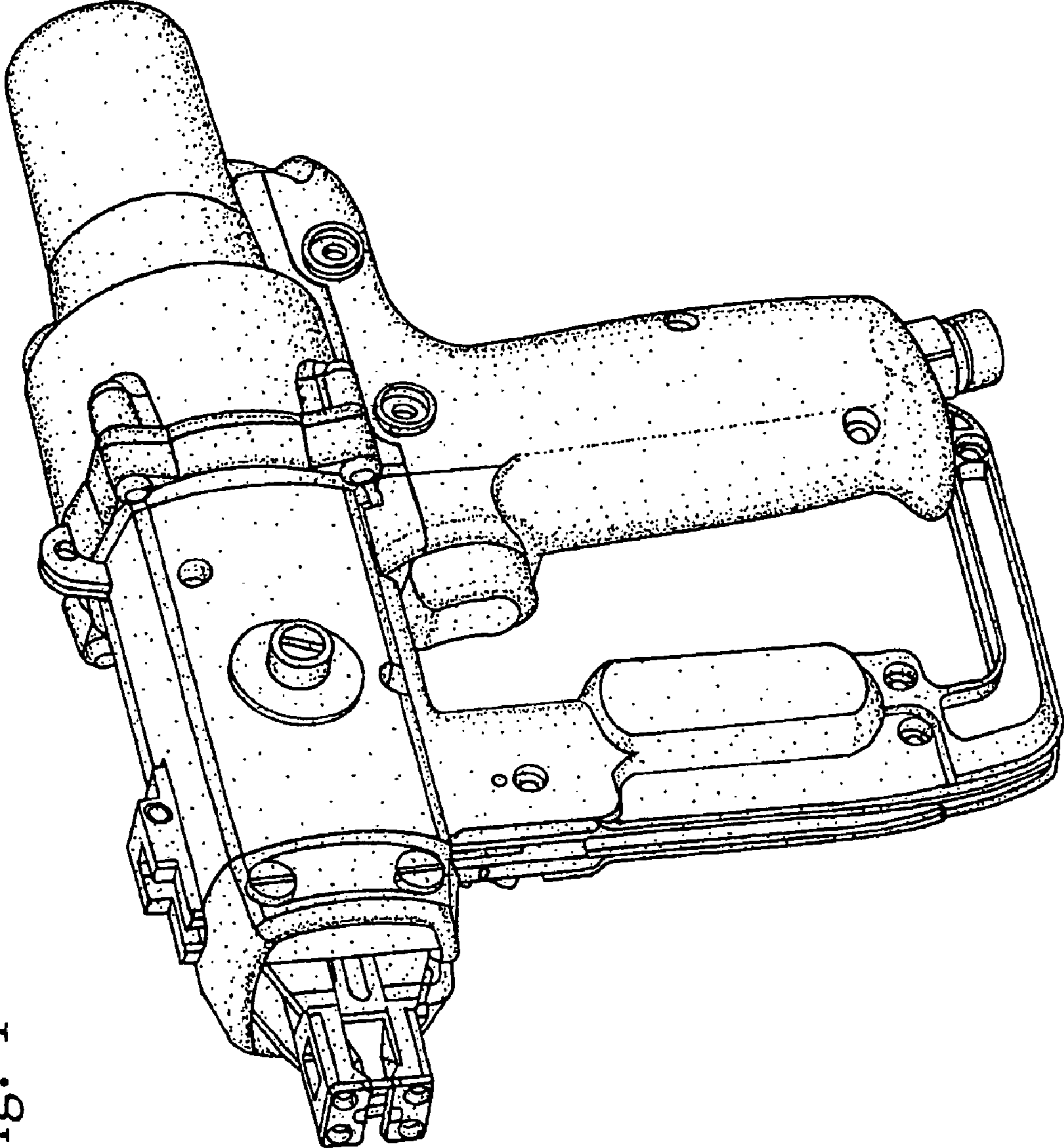


Fig. 1

Fig. 2

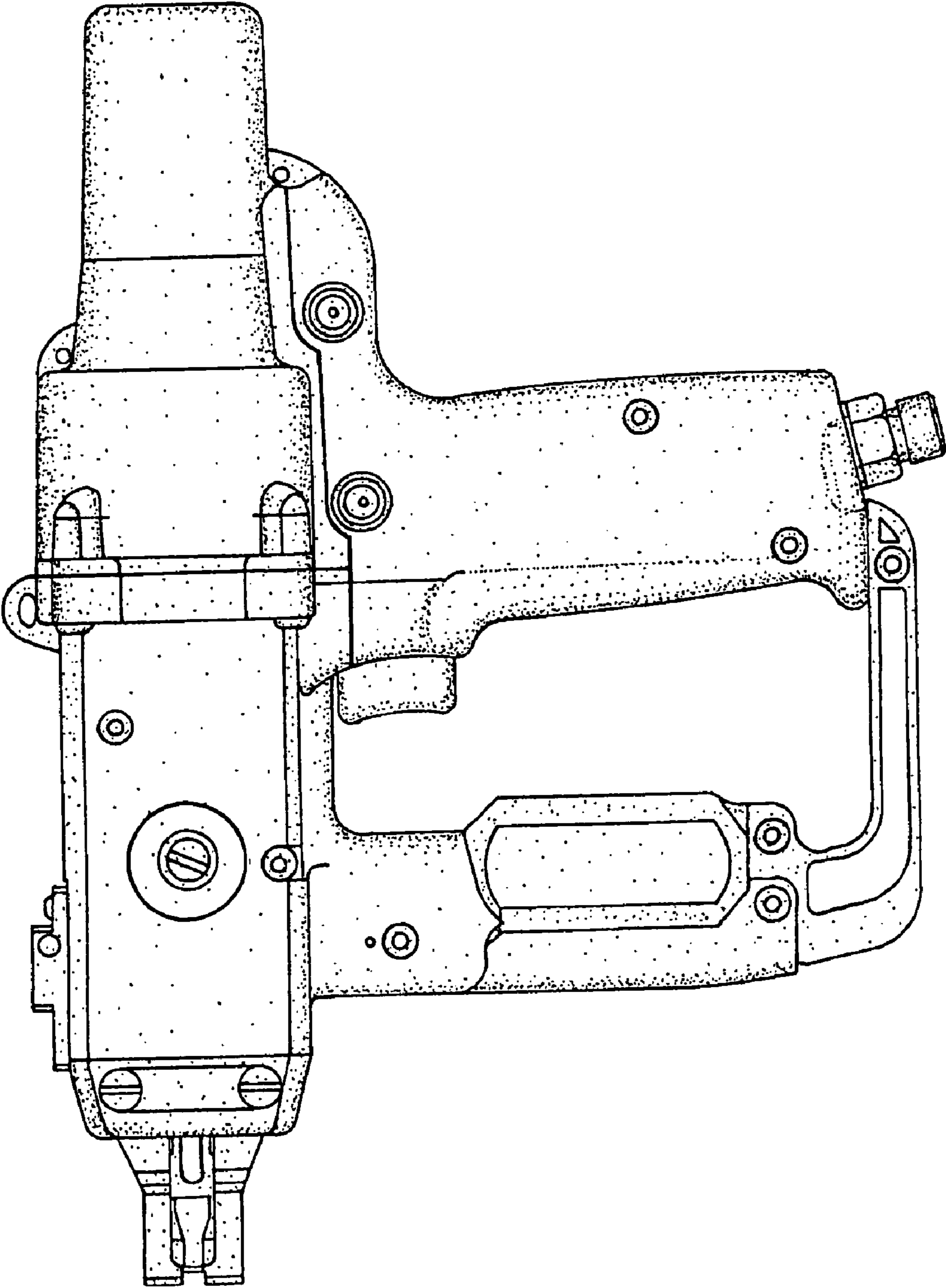


Fig. 3

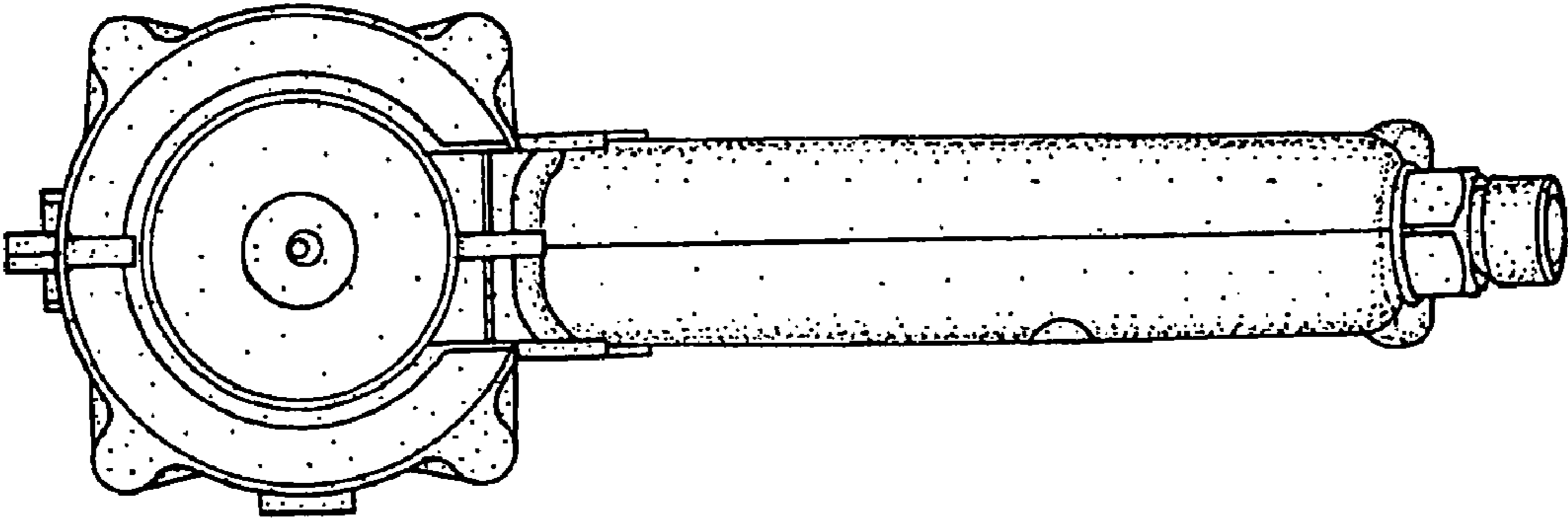


Fig. 4

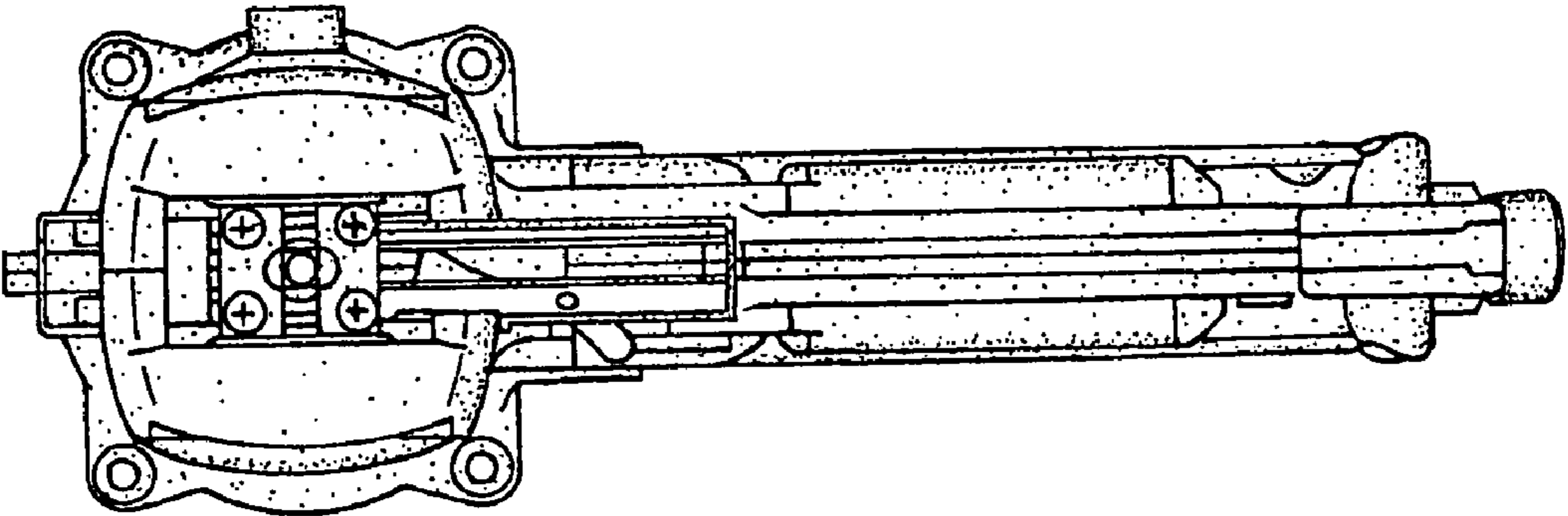
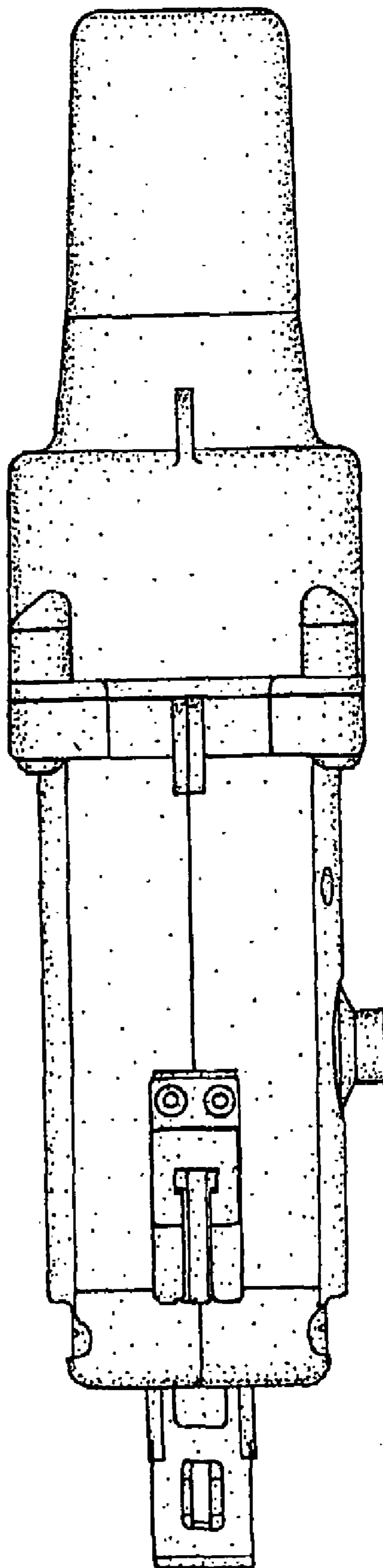


Fig. 5



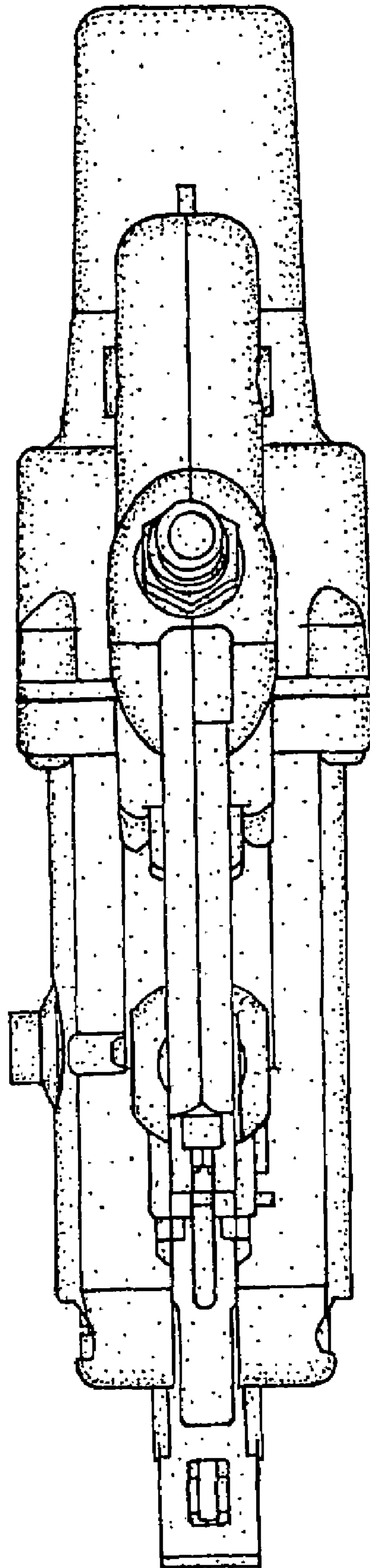


Fig. 6

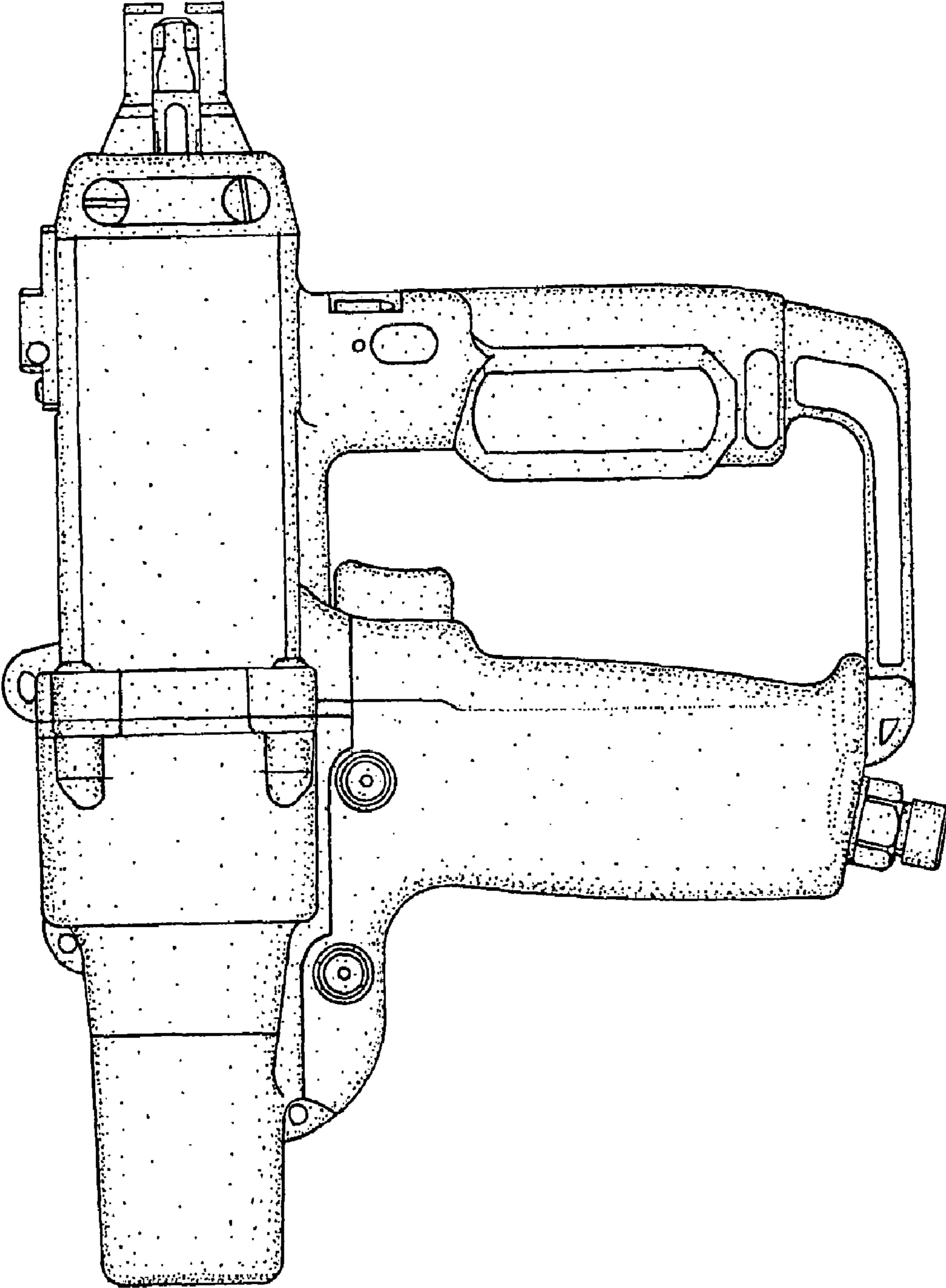


Fig. 7