



US00D605487S

(12) **United States Design Patent**
Aglassinger

(10) **Patent No.:** **US D605,487 S**

(45) **Date of Patent:** **** Dec. 8, 2009**

(54) **CORDLESS SCREWDRIVER**

(75) Inventor: **Hans-Peter Aglassinger**, Esslingen (DE)

(73) Assignee: **Robert Bosch GmbH**, Stuttgart (DE)

(**) Term: **14 Years**

(21) Appl. No.: **29/332,200**

(22) Filed: **Feb. 11, 2009**

(30) **Foreign Application Priority Data**

Aug. 11, 2008 (EM) 000985478

(51) **LOC (9) Cl.** **08-04**

(52) **U.S. Cl.** **D8/68**

(58) **Field of Classification Search** D8/14.1,
D8/61, 62, 63, 64, 65, 66, 67, 68, 69, 70;
81/57.11, 429, 454, 455, 456, 469, 489; 173/13,
173/104, 114, 168, 169, 170, 171, 178, 201,
173/211, 213, 217; 408/20, 124, 125, 234,
408/241 R; 451/358; 310/50; 227/8, 113,
227/114, 120, 130, 136, 142

See application file for complete search history.

(56) **References Cited**

U.S. PATENT DOCUMENTS

D513,160 S * 12/2005 DeBoer et al. D8/68
D516,889 S * 3/2006 Aglassinger D8/68
D524,133 S * 7/2006 Wu D8/68
D527,236 S * 8/2006 Wu D8/68
D527,600 S * 9/2006 Stratford D8/68

D531,000 S * 10/2006 Meyers et al. D8/68
D531,872 S * 11/2006 Aglassinger D8/68
D532,666 S * 11/2006 Chi D8/68
D539,109 S * 3/2007 Aglassinger D8/68
D541,611 S * 5/2007 Aglassinger D8/68
D547,154 S * 7/2007 Lee D8/68
D550,052 S * 9/2007 Lee D8/68
D576,854 S * 9/2008 Aglassinger D8/68
7,456,608 B2 * 11/2008 Kageler et al. 320/114
D582,742 S * 12/2008 Aglassinger D8/68
7,498,526 B2 * 3/2009 Lohr et al. 200/5 A

* cited by examiner

Primary Examiner—Antoine D Davis

(74) *Attorney, Agent, or Firm*—Victor A. Henzi

(57) **CLAIM**

The ornamental design for a cordless screwdriver, as shown and described.

DESCRIPTION

FIG. 1 is a front right perspective view of the cordless screwdriver;

FIG. 2 is a front elevational view thereof;

FIG. 3 is a left elevational view thereof;

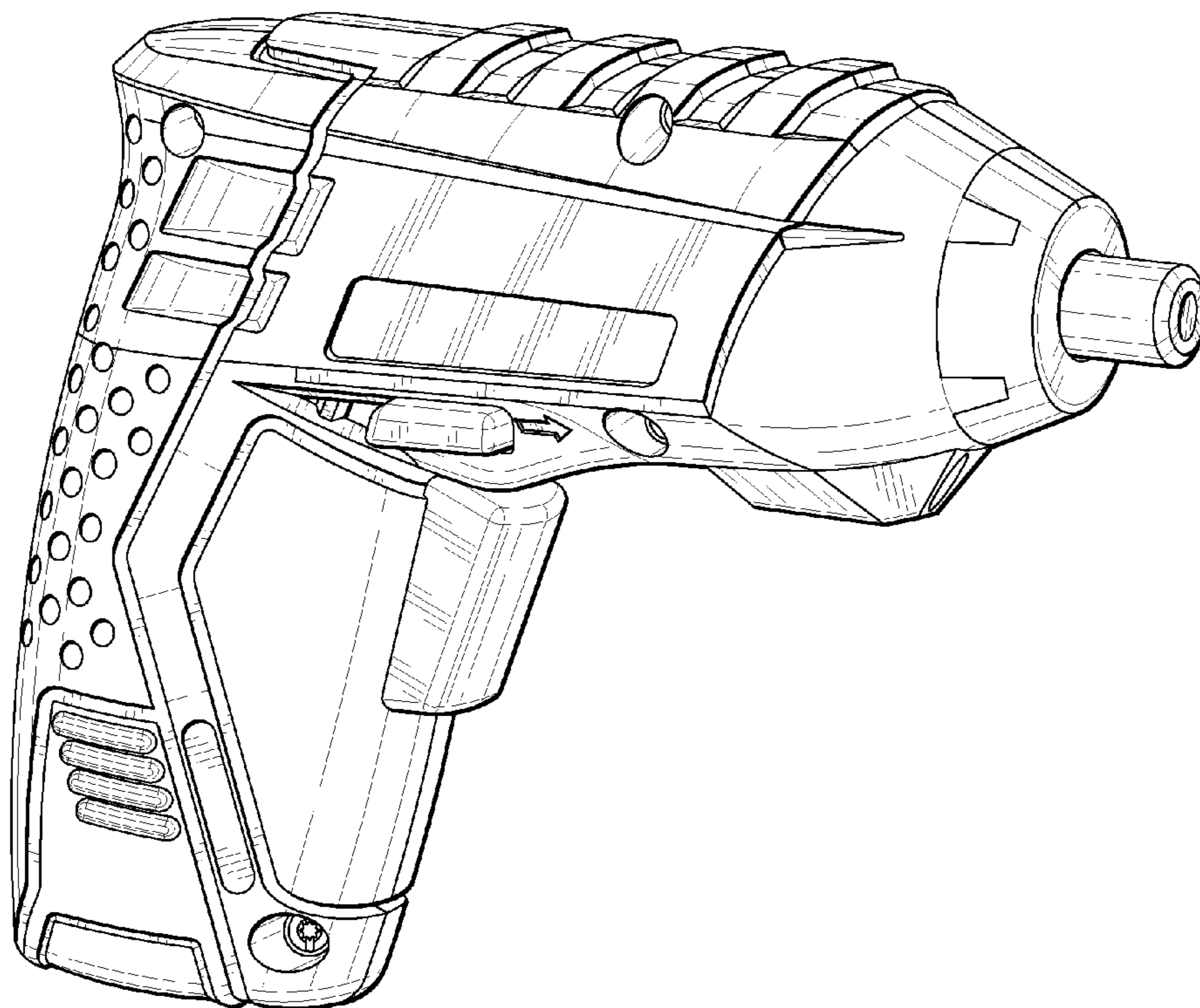
FIG. 4 is a rear elevational view thereof;

FIG. 5 is a right elevational view thereof;

FIG. 6 is a top plan view thereof; and,

FIG. 7 is a bottom plan view thereof.

1 Claim, 6 Drawing Sheets



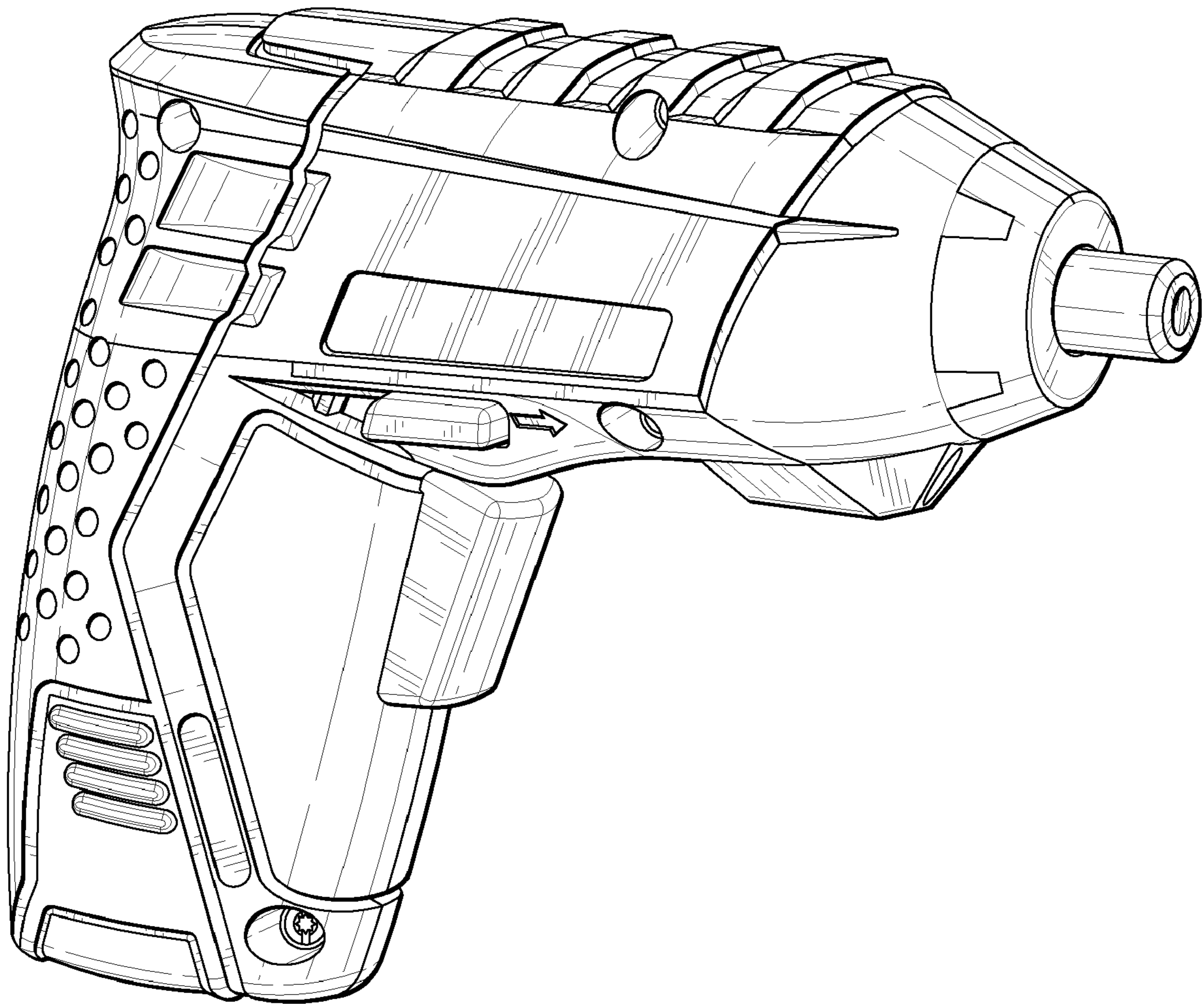


Fig. 1

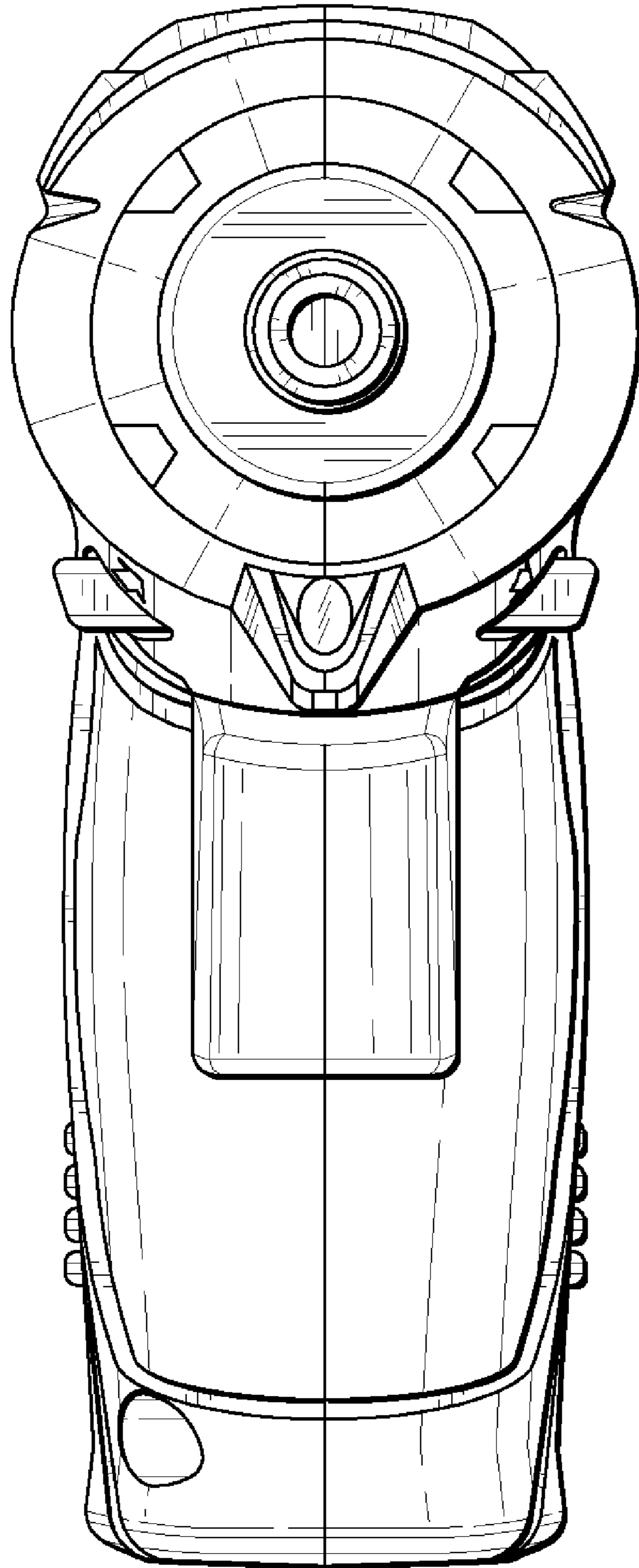


Fig. 2

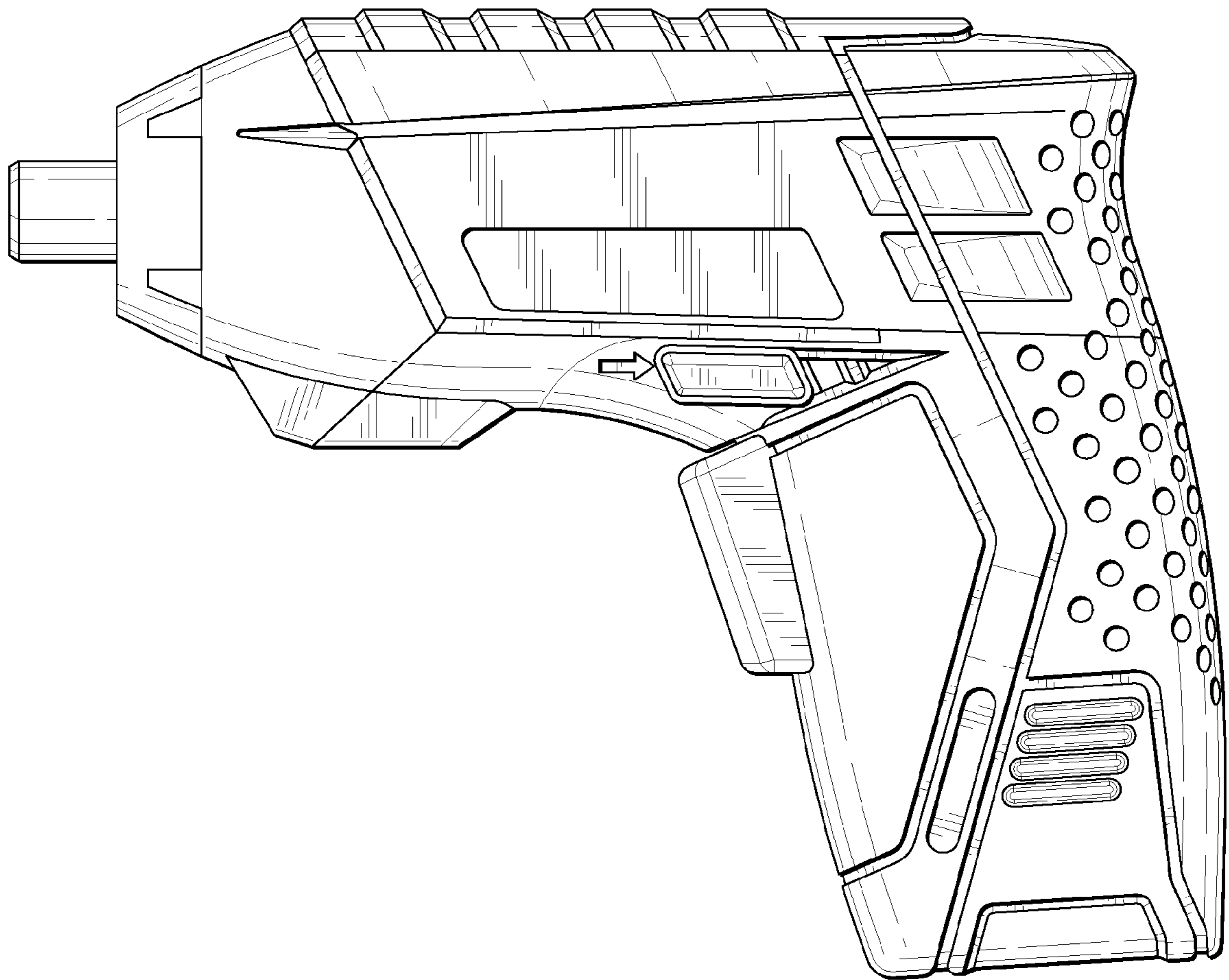


Fig. 3

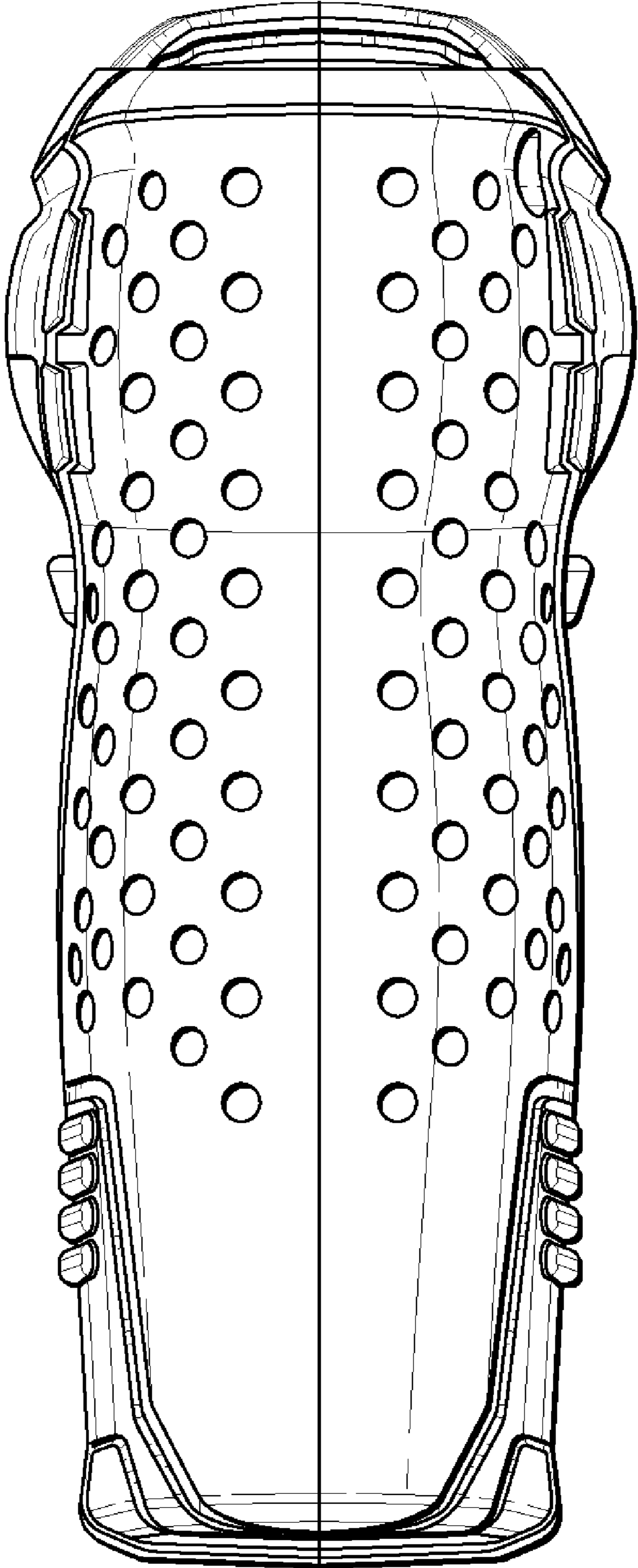


Fig. 4

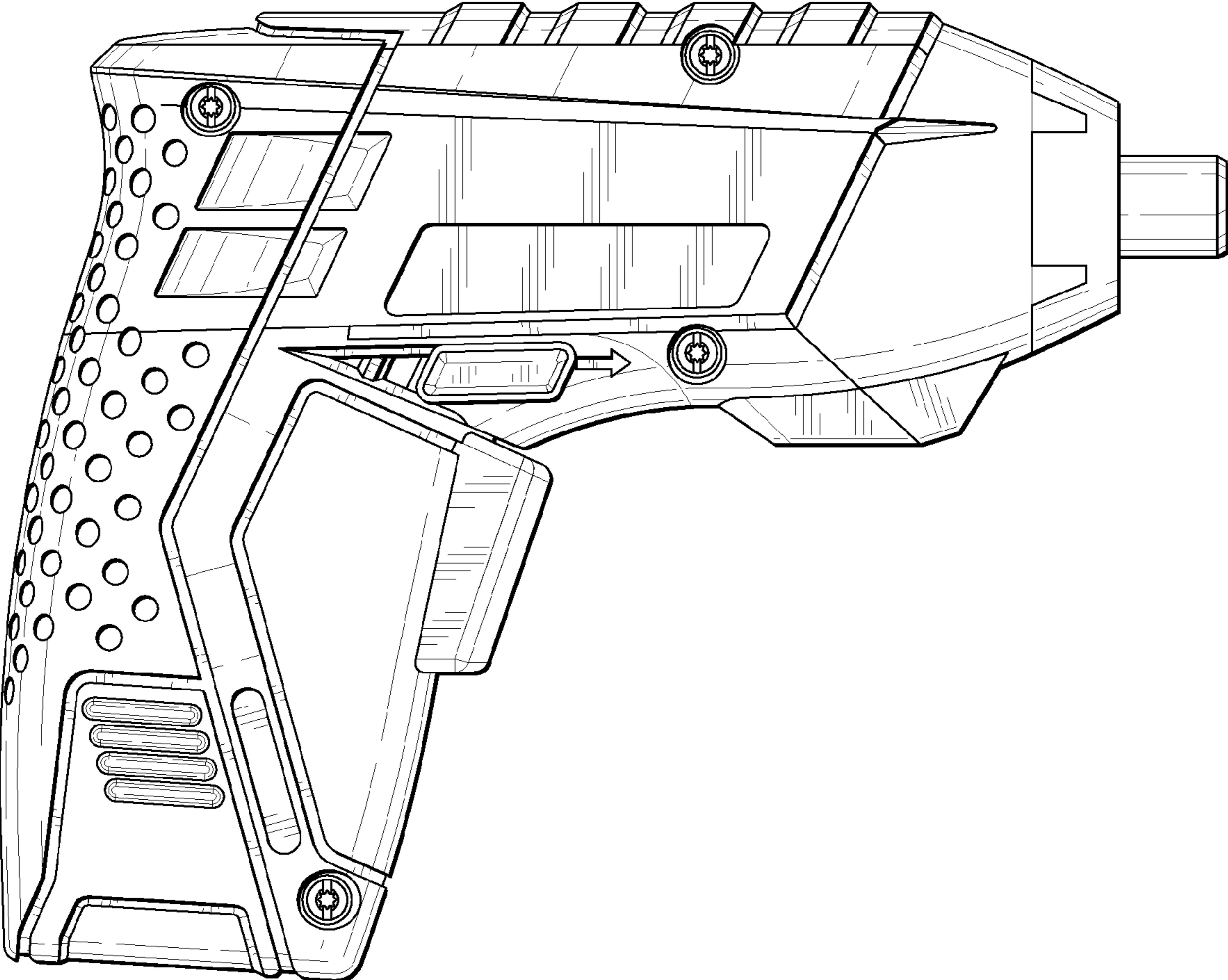


Fig. 5

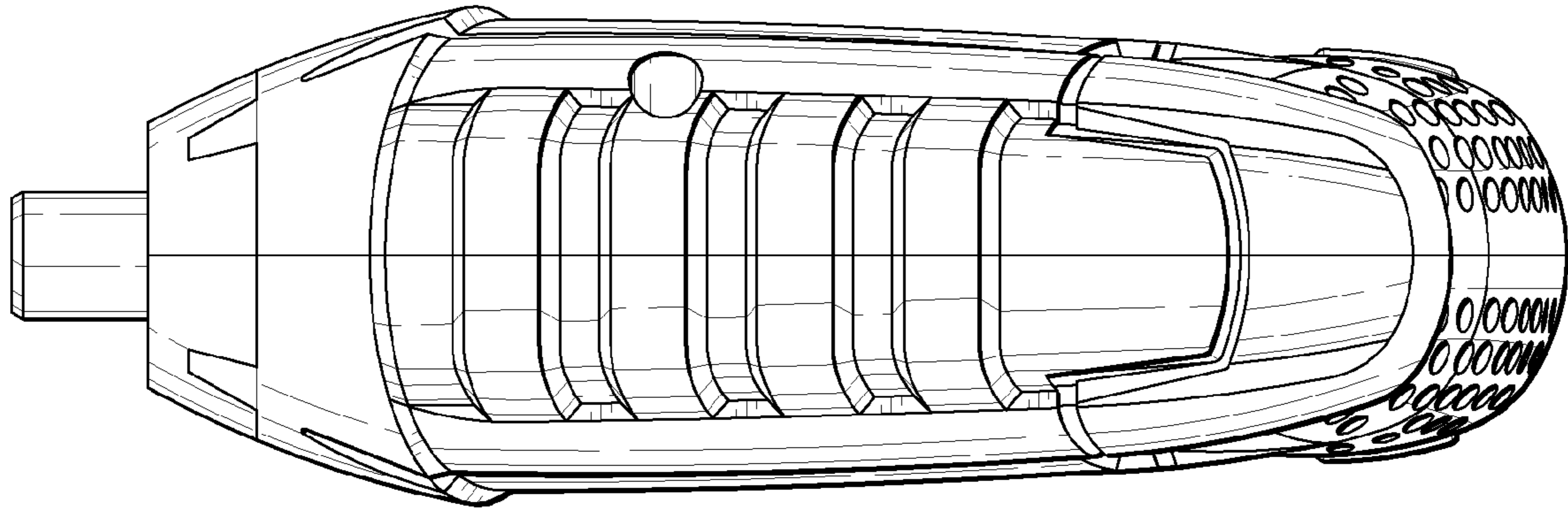


Fig. 6

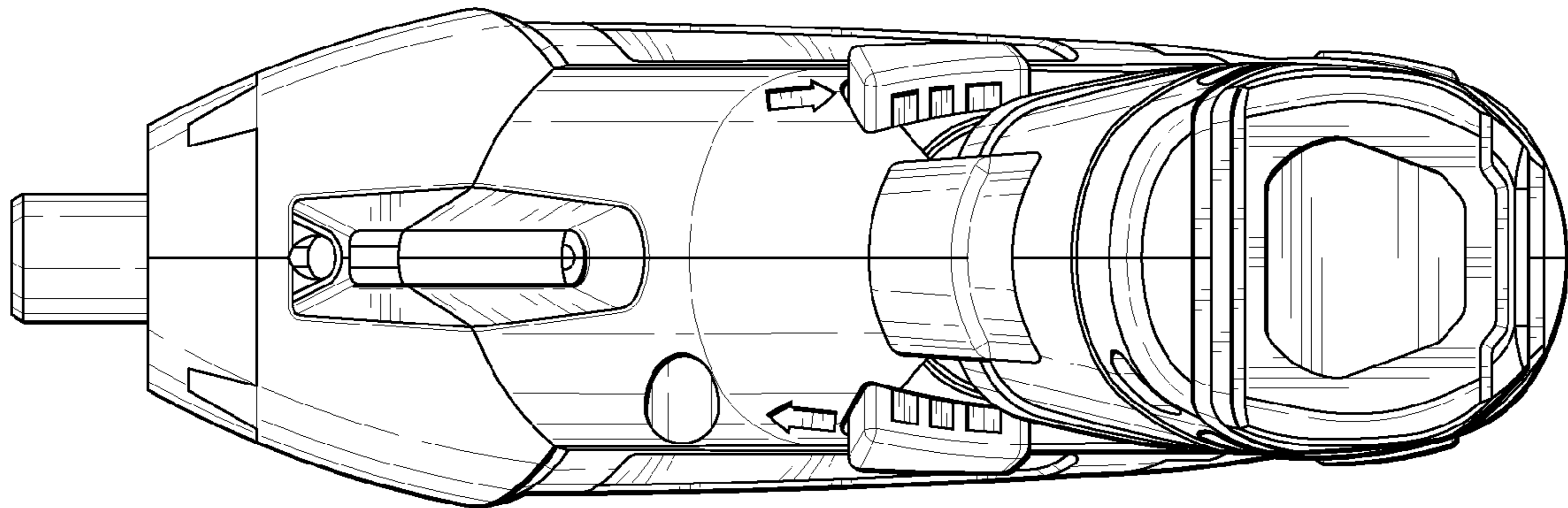


Fig. 7