



US00D605486S

(12) **United States Design Patent**  
**Aglassinger**

(10) **Patent No.:** **US D605,486 S**

(45) **Date of Patent:** **\*\* Dec. 8, 2009**

(54) **CORDLESS SCREWDRIVER**

(75) Inventor: **Hans-Peter Aglassinger**, Esslingen (DE)

(73) Assignee: **Robert Bosch GmbH**, Stuttgart (DE)

(\*\*) Term: **14 Years**

(21) Appl. No.: **29/332,197**

(22) Filed: **Feb. 11, 2009**

(30) **Foreign Application Priority Data**

Aug. 13, 2008 (EM) ..... 000986864

(51) **LOC (9) Cl.** ..... **08-04**

(52) **U.S. Cl.** ..... **D8/68**

(58) **Field of Classification Search** ..... D8/14.1,  
D8/61, 62, 63, 64, 65, 66, 67, 68, 69, 70;  
81/57.11, 429, 454, 455, 456, 469, 489; 173/13,  
173/104, 114, 168, 169, 170, 171, 178, 201,  
173/211, 213, 217; 408/20, 124, 125, 234,  
408/241 R; 451/358; 310/50; 227/8, 113,  
227/114, 120, 130, 136, 142

See application file for complete search history.

(56) **References Cited**

**U.S. PATENT DOCUMENTS**

D515,376 S \* 2/2006 Wacker et al. .... D8/68

D533,421 S \* 12/2006 Aglassinger ..... D8/68

D565,375 S \* 4/2008 Shi ..... D8/68

D581,762 S \* 12/2008 Aglassinger ..... D8/68

D592,027 S \* 5/2009 Van Wambeke ..... D8/68

\* cited by examiner

*Primary Examiner*—Antoine D Davis

(74) *Attorney, Agent, or Firm*—Victor A. Henzi

(57) **CLAIM**

The ornamental design for a cordless screwdriver, as shown and described.

**DESCRIPTION**

FIG. 1 is a front left perspective view of the cordless screwdriver;

FIG. 2 is a front elevational thereof;

FIG. 3 is a left elevational view thereof;

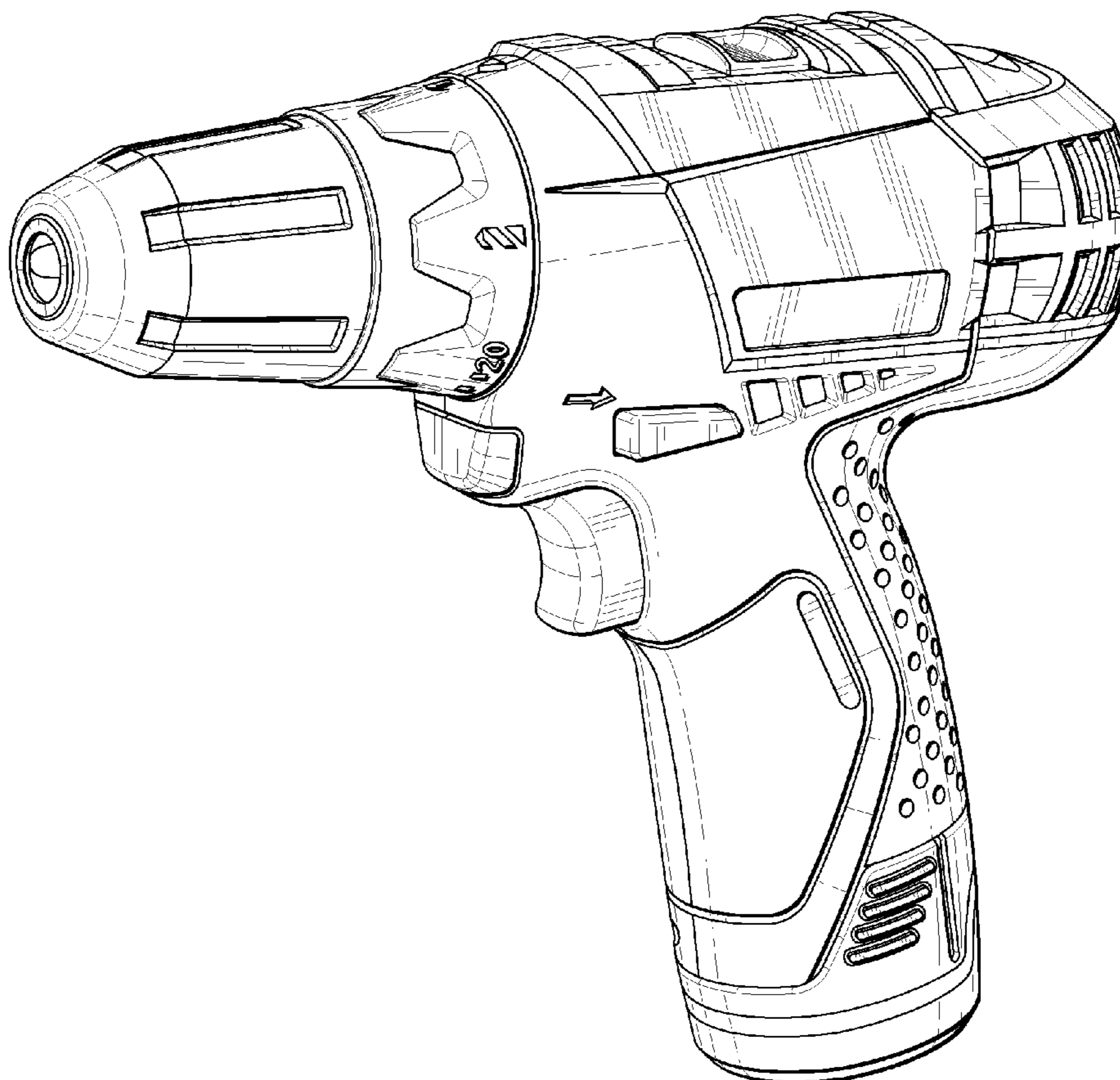
FIG. 4 is a rear elevational view thereof;

FIG. 5 is a right elevational view thereof;

FIG. 6 is a top plan view thereof; and,

FIG. 7 is a bottom plan view thereof.

**1 Claim, 6 Drawing Sheets**



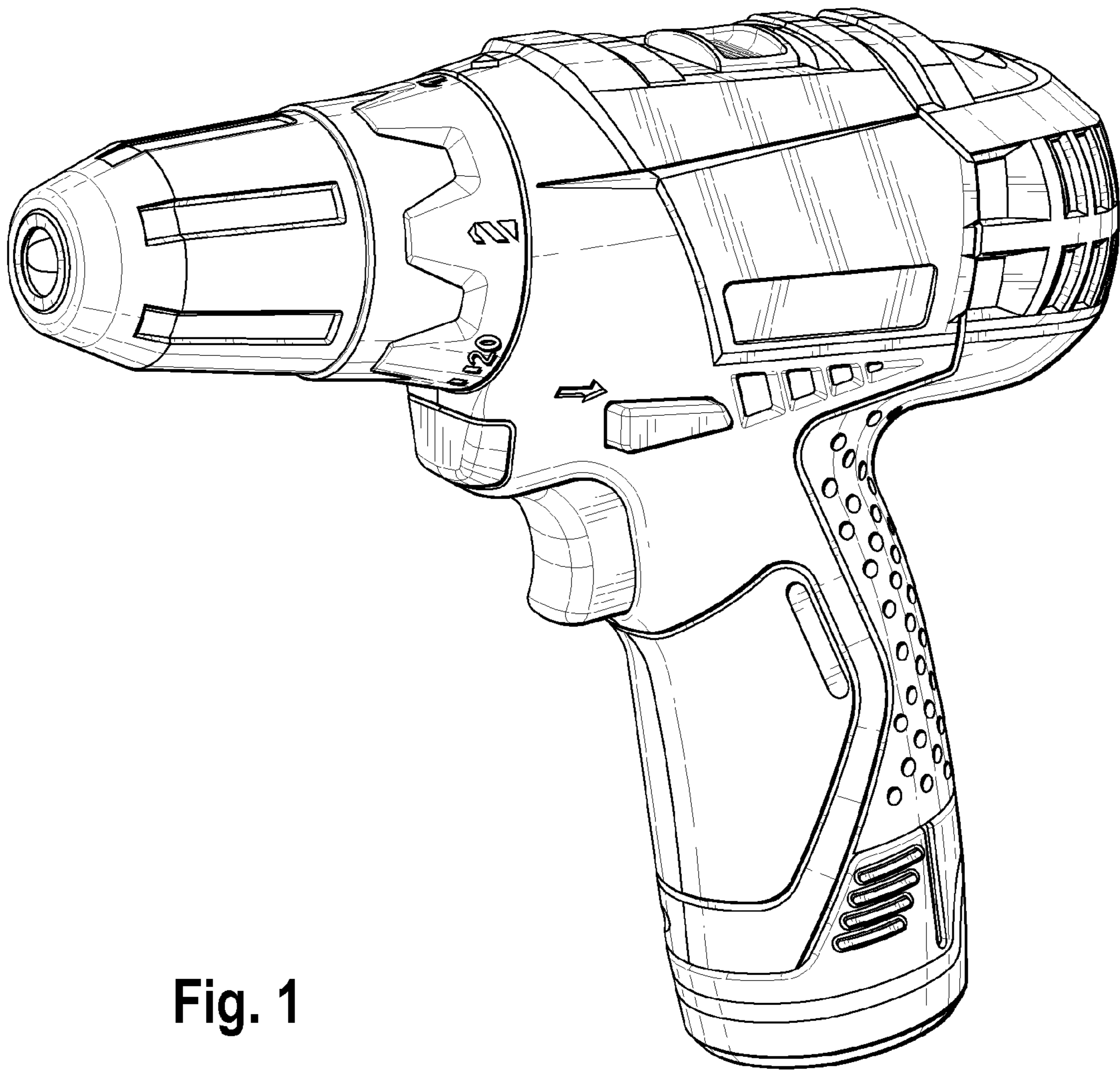


Fig. 1

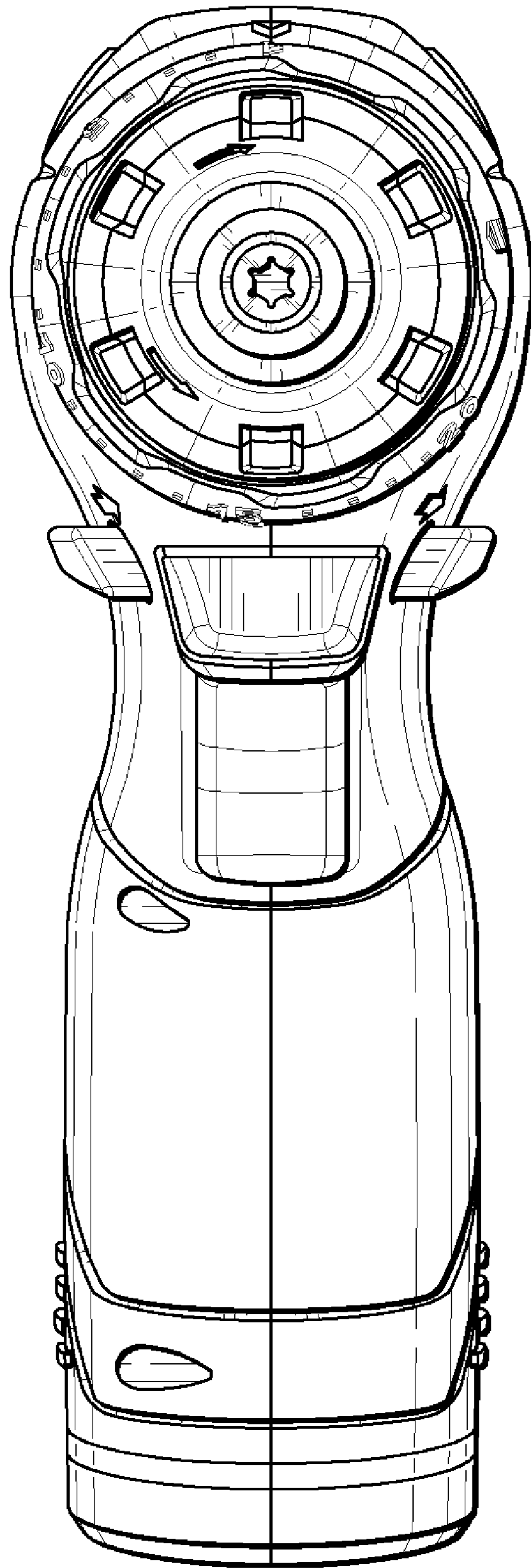


Fig. 2

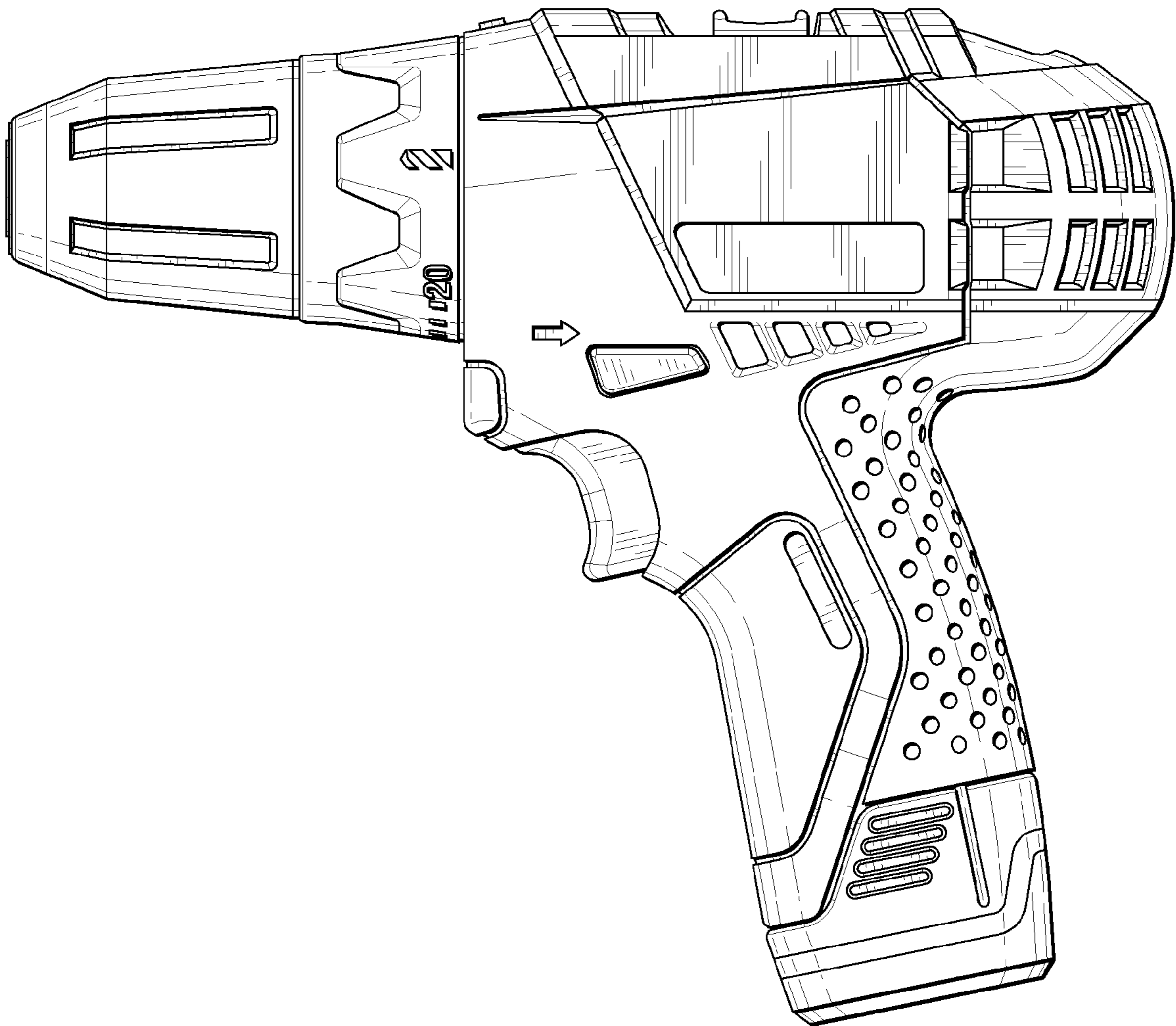


Fig. 3



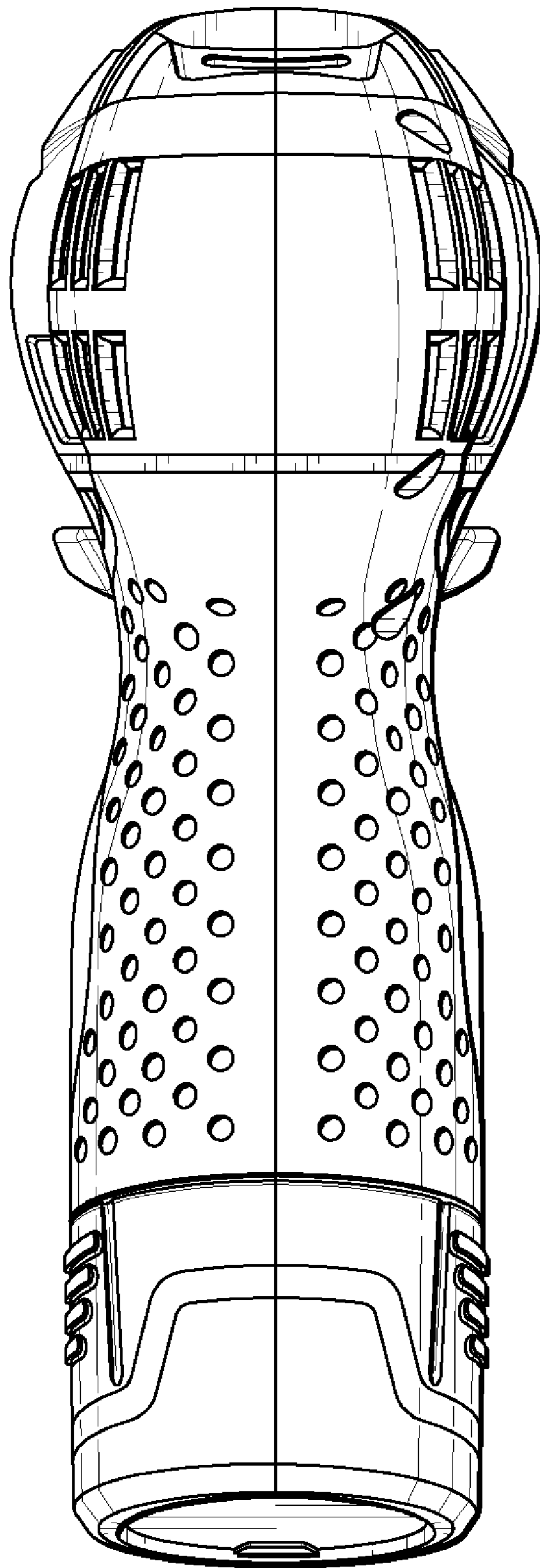


Fig. 4

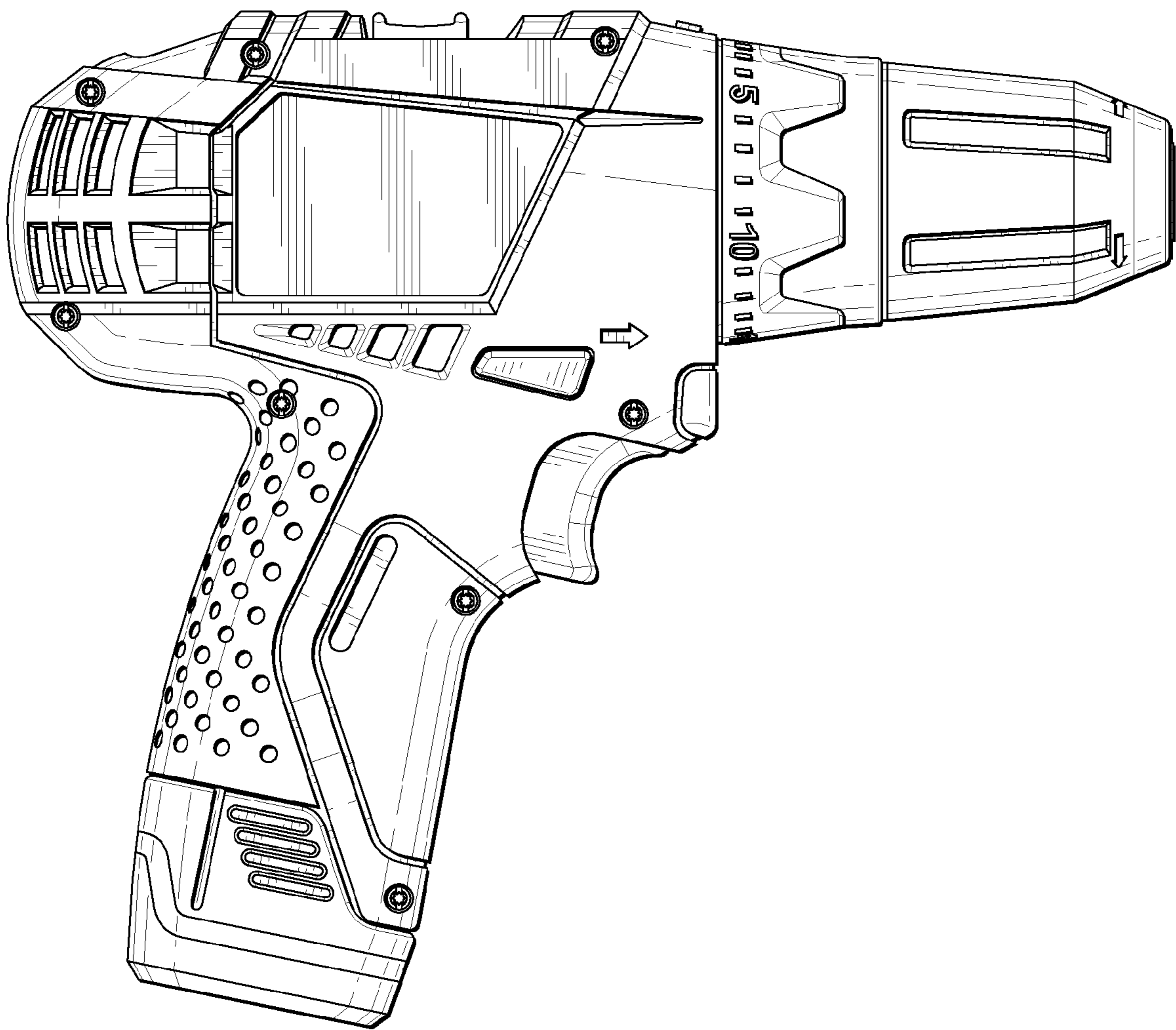


Fig. 5

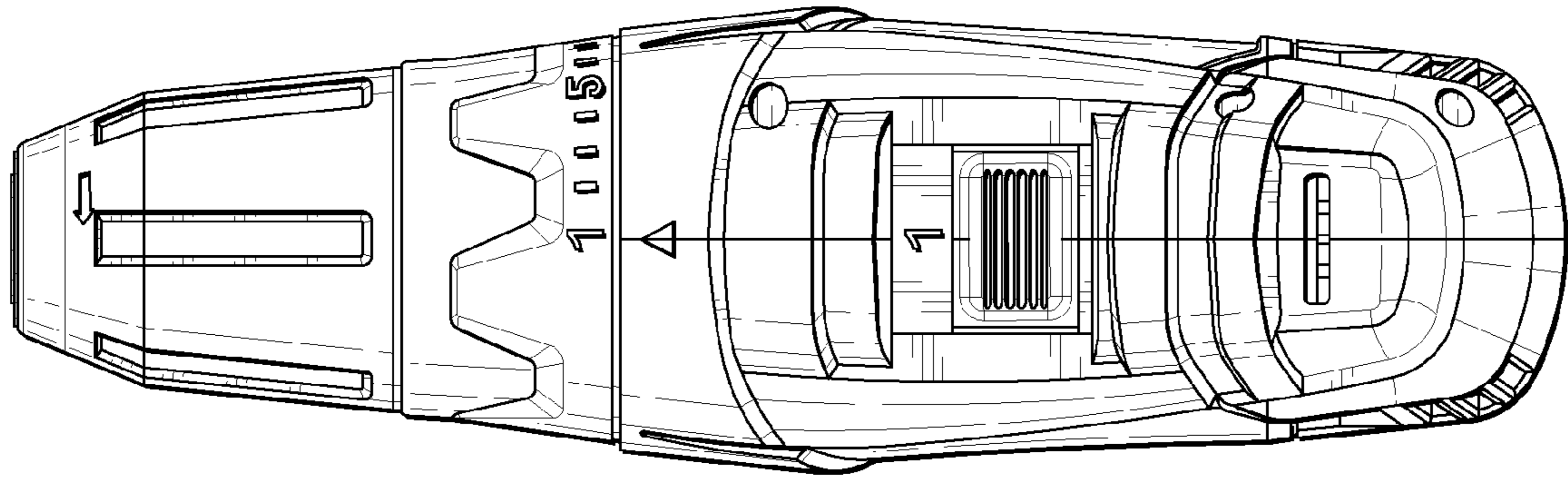


Fig. 6

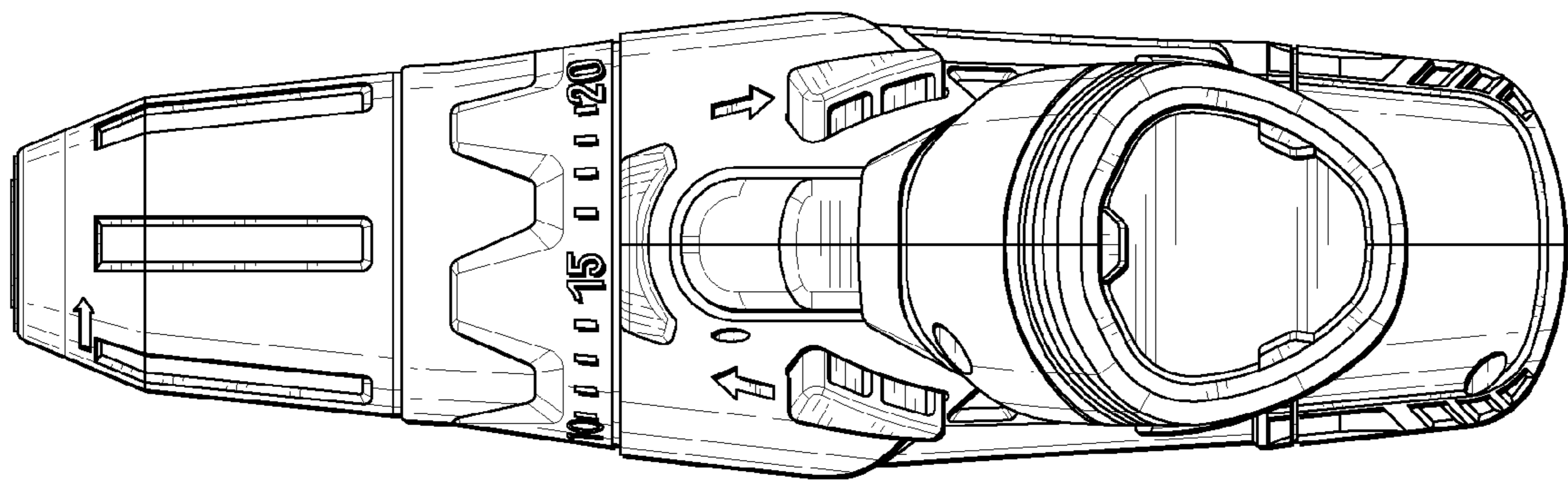


Fig. 7