



US00D605483S

(12) **United States Design Patent**
Cedar

(10) **Patent No.:** **US D605,483 S**
(45) **Date of Patent:** **** Dec. 8, 2009**

- (54) **STAPLER**
- (75) Inventor: **Jonathan Newman Cedar**, Scarsdale, NY (US)
- (73) Assignee: **Staples The Office Superstore, LLC**, Framingham, MA (US)

- 2,580,505 A 1/1952 Balma
- 2,619,637 A 12/1952 Boroughs
- 2,633,571 A 4/1953 Boroughs
- 3,103,012 A 9/1963 Kohen et al.
- 3,289,456 A 12/1966 Baldwin

(Continued)

(**) Term: **14 Years**

FOREIGN PATENT DOCUMENTS

(21) Appl. No.: **29/339,593**

DE 9106427 U1 8/1991

(22) Filed: **Jul. 2, 2009**

(Continued)

Related U.S. Application Data

(62) Division of application No. 29/327,301, filed on Nov. 4, 2008.

Primary Examiner—Cathron C Brooks

Assistant Examiner—Austin Murphy

(74) *Attorney, Agent, or Firm*—Wolf, Greenfield & Sacks, P.C.

(51) **LOC (9) Cl.** **19-02**

(52) **U.S. Cl.** **D8/50; D8/49**

(58) **Field of Classification Search** D8/49, D8/50, 61, 68, 69; D19/72, 73, 65, 69; D21/532; D24/145; 7/158, 160; 227/4, 5, 6, 7, 8, 120, 227/127, 128, 131, 132, 134, 144, 156, 175.1; 606/139, 143, 153, 219

See application file for complete search history.

(57) **CLAIM**

The ornamental design for a stapler, as shown and described.

(56) **References Cited**

U.S. PATENT DOCUMENTS

- 679,598 A 7/1901 Brunner
- 1,983,397 A 12/1934 Polzer
- 2,088,404 A 7/1937 Bunnell
- 2,089,572 A 8/1937 Polzer
- 2,157,987 A 5/1939 Johnson
- 2,174,219 A 9/1939 Balma
- 2,438,712 A 3/1948 Lindstrom
- 2,461,165 A 2/1949 Lindstrom
- 2,493,640 A 1/1950 Peterson
- 2,574,988 A 11/1951 Vogel

DESCRIPTION

FIG. 1 is a top, front, left side perspective view of a first embodiment of the stapler;

FIG. 2 is a left side elevational view of the embodiment of FIG. 1, the right side elevational view is a mirror image thereof;

FIG. 3 is a front elevational view of the embodiment of FIG. 1;

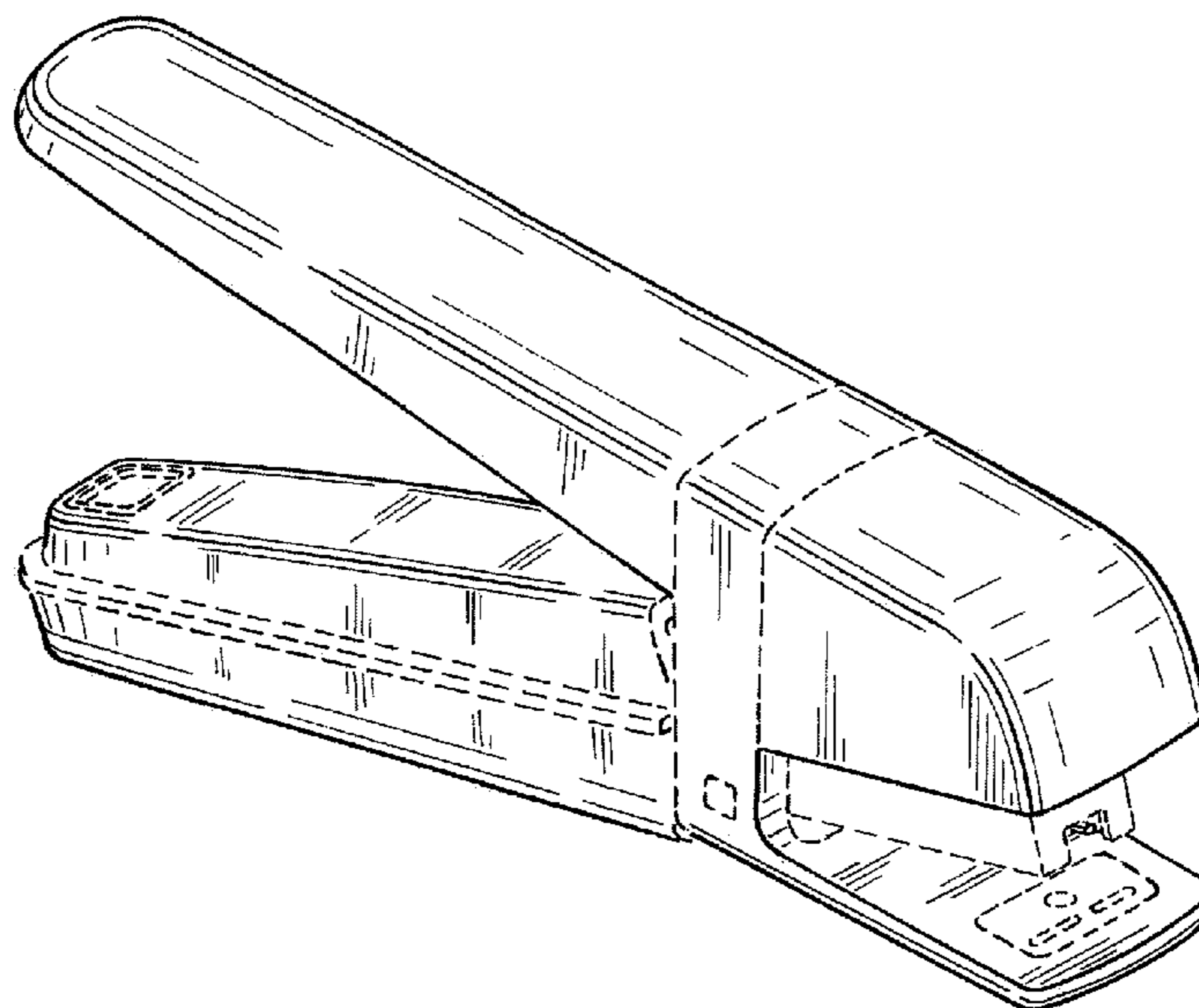
FIG. 4 is a rear elevational view of the embodiment of FIG. 1;

FIG. 5 is a top plan view of the embodiment of FIG. 1; and,

FIG. 6 is a bottom plan view of the embodiment of FIG. 1.

The broken lines in the figure drawings represent environmental structure and form no part of the claimed design.

1 Claim, 2 Drawing Sheets



US D605,483 S

Page 2

U.S. PATENT DOCUMENTS

3,368,731 A 2/1968 La Pointe
4,180,197 A 12/1979 Raasch et al.
4,288,019 A 9/1981 Dahle
D268,088 S 3/1983 Bass
4,375,866 A * 3/1983 Giersch et al. 227/19
D269,459 S * 6/1983 Butter et al. D24/145
D272,647 S * 2/1984 Warman et al. D24/145
D278,656 S 4/1985 Green et al.
4,623,084 A 11/1986 Olesen
D287,630 S 1/1987 Sharkany et al.
4,705,202 A 11/1987 Olesen et al.
4,984,729 A 1/1991 Balma
D318,407 S 7/1991 Williams
D320,147 S 9/1991 Mayo et al.
5,335,838 A 8/1994 Harris et al.
5,356,063 A * 10/1994 Perez 227/132
5,364,000 A 11/1994 Fealey
5,704,533 A 1/1998 Chang
D392,858 S 3/1998 Jacquet

D429,453 S 8/2000 Imboden et al.
D434,443 S * 11/2000 Mori et al. D19/72
D437,755 S 2/2001 Robillard
D558,012 S 12/2007 Balma
D567,043 S 4/2008 Marks et al.
7,431,186 B2 10/2008 Hsu
D587,542 S 3/2009 Miyagi
2007/0057012 A1 * 3/2007 Kandasamy et al. 227/134
2007/0187450 A1 8/2007 Chang
2007/0187451 A1 8/2007 Chang
2007/0221699 A1 * 9/2007 Hsu 227/134

FOREIGN PATENT DOCUMENTS

GB 627917 8/1949
GB 660740 11/1951
GB 712021 7/1954
GB 732017 6/1955
GB 892449 3/1962

* cited by examiner

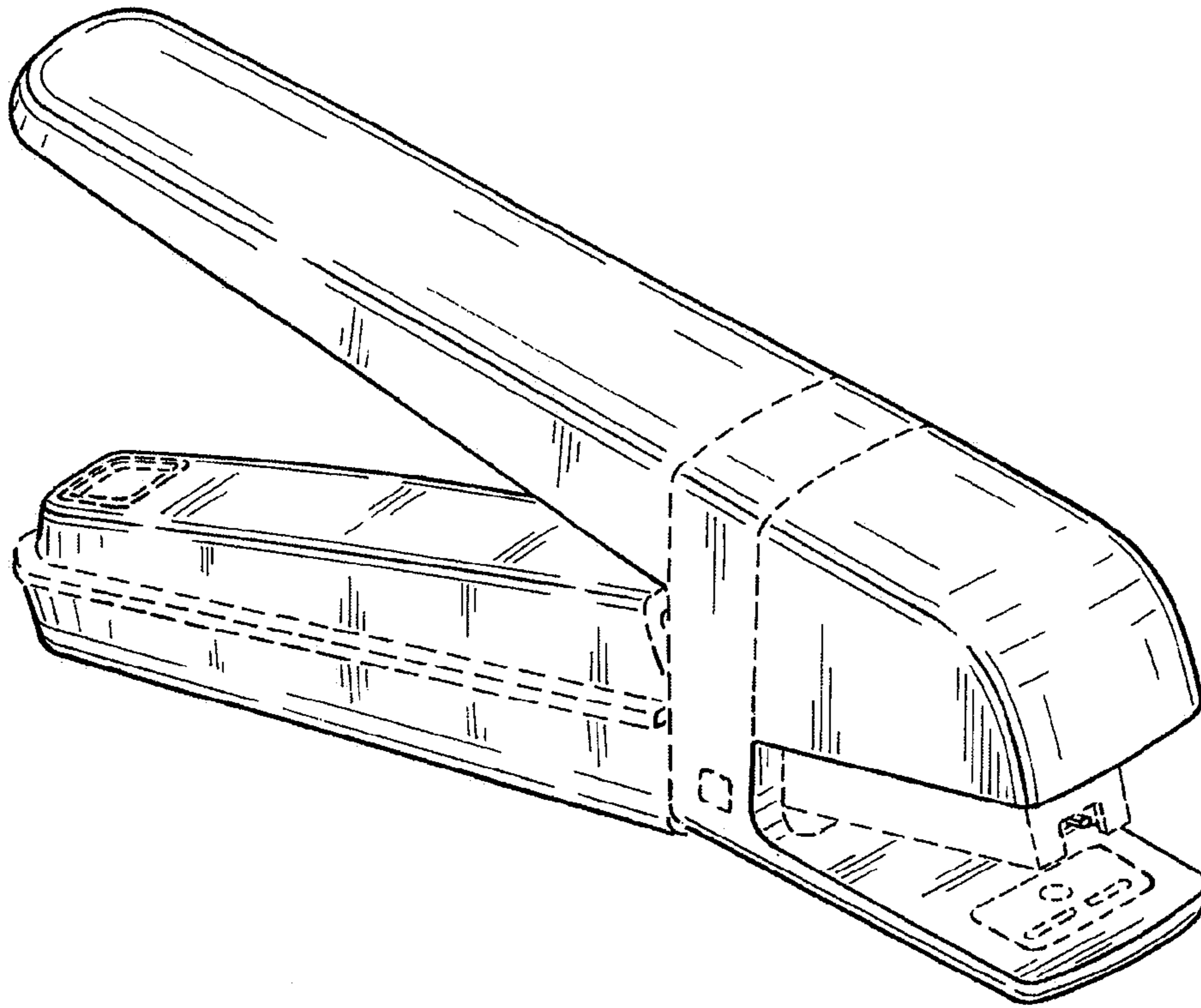


Fig. 1

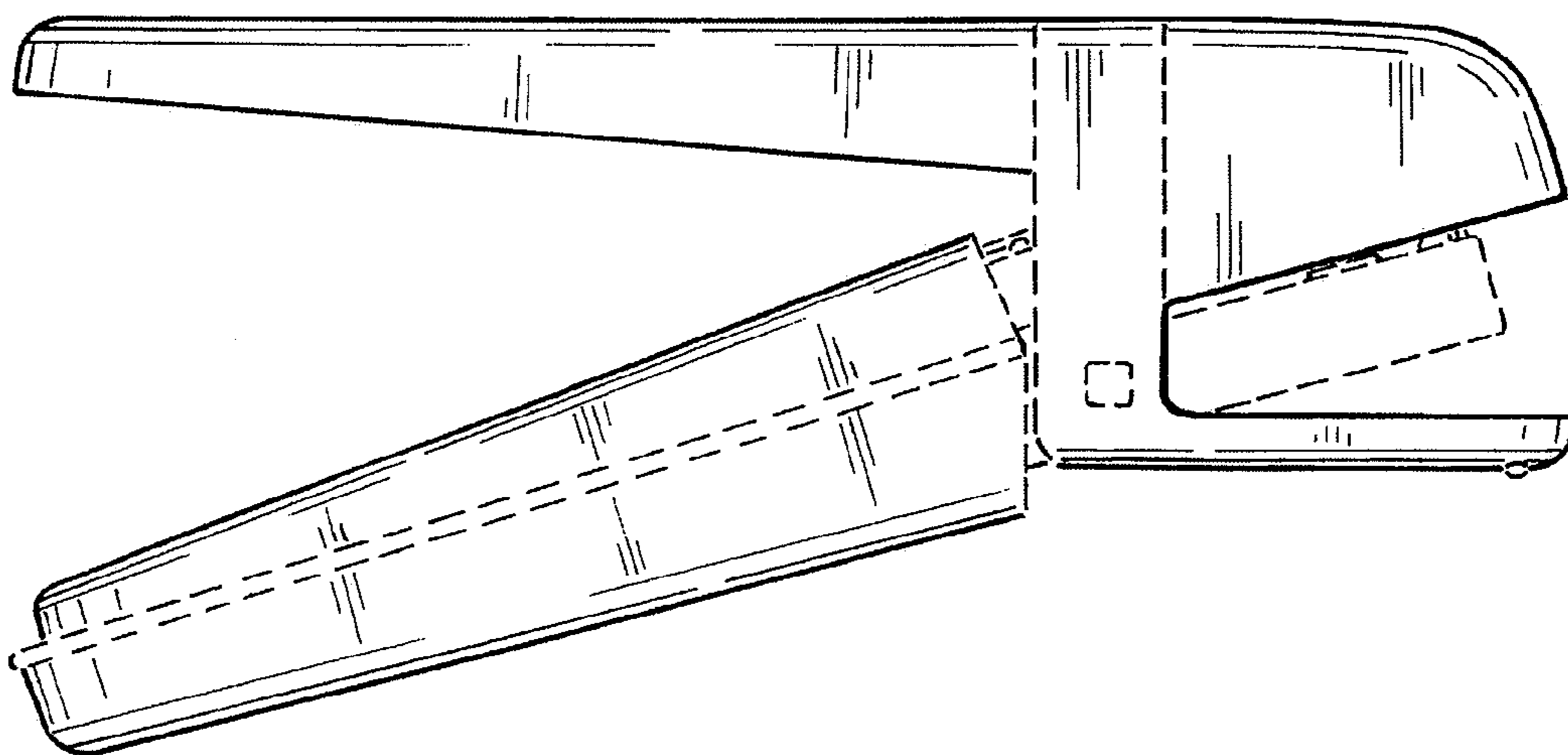


Fig. 2

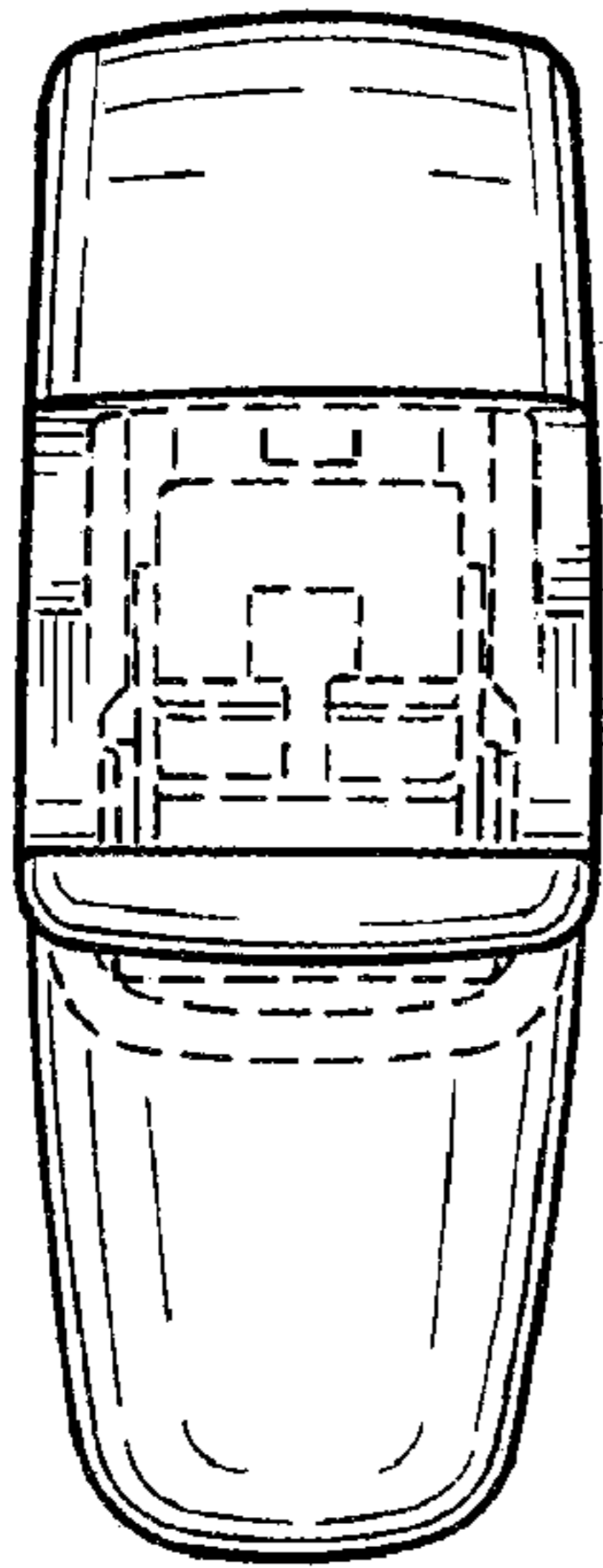


Fig. 3

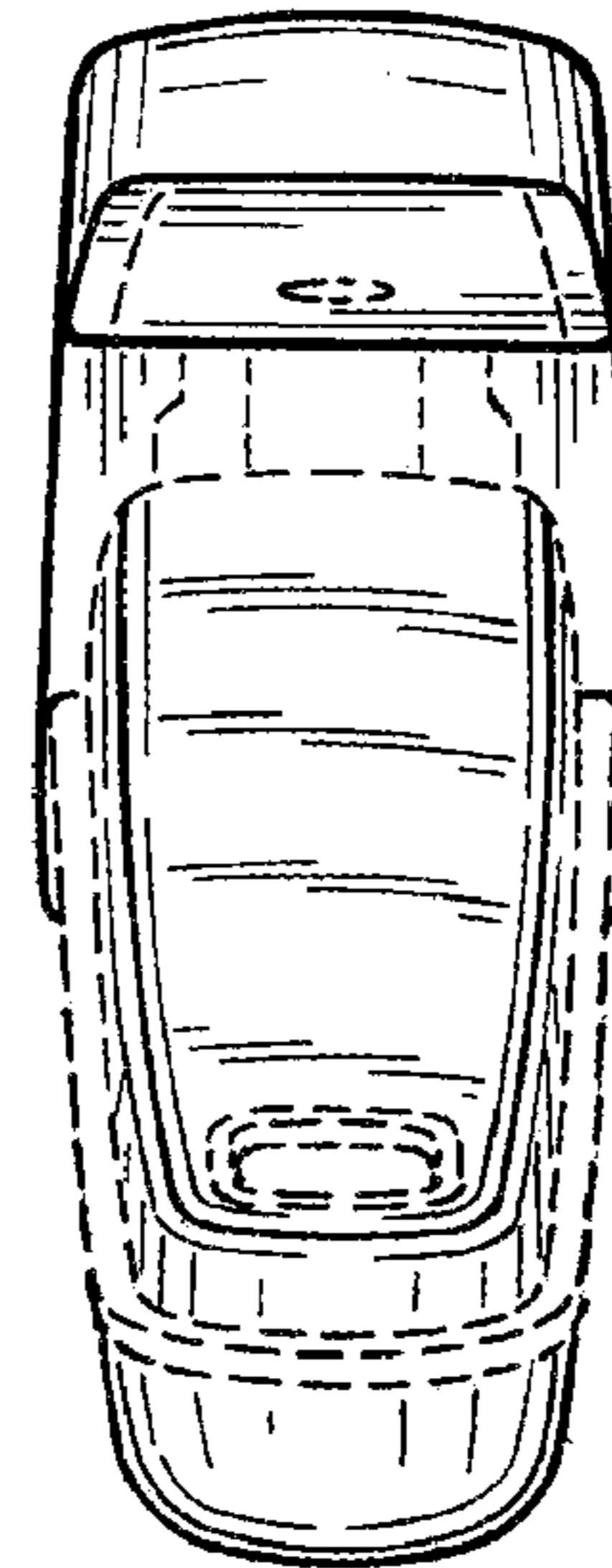


Fig. 4

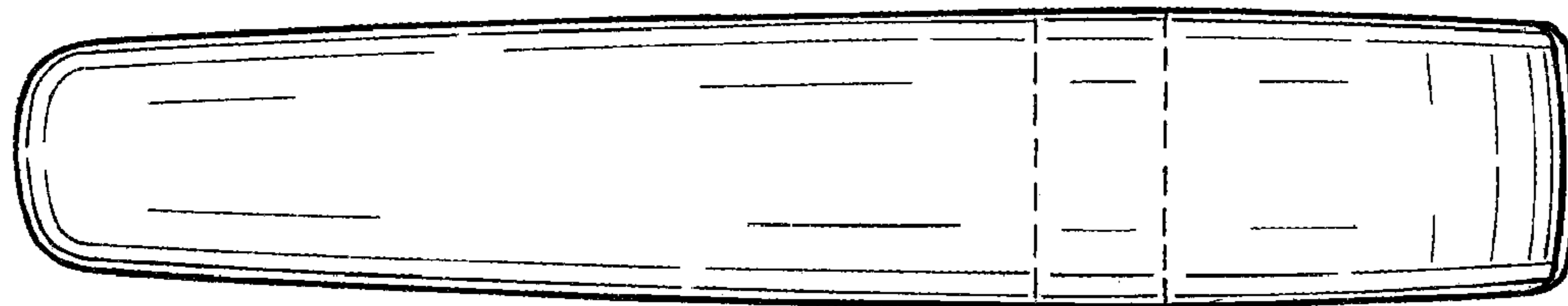


Fig. 5

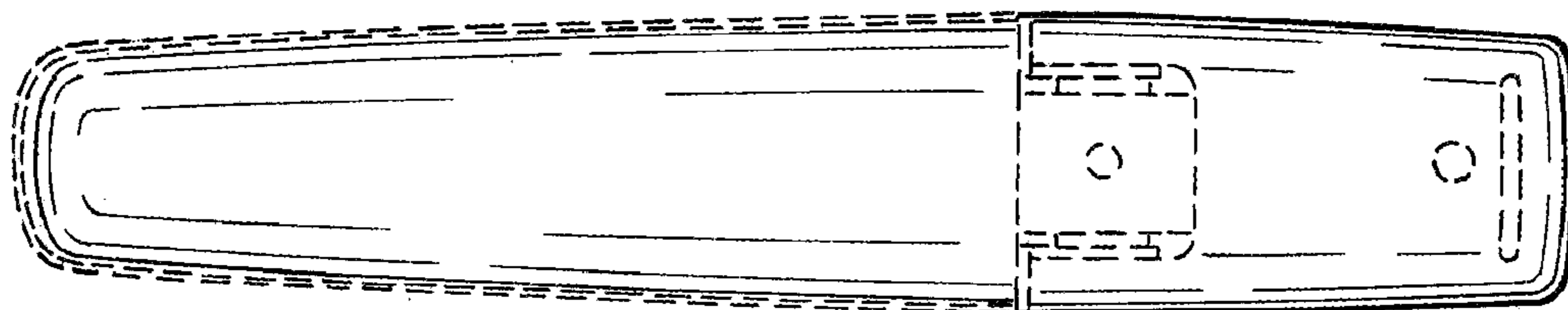


Fig. 6