



US00D605482S

(12) **United States Design Patent**
Jenkins

(10) **Patent No.:** **US D605,482 S**

(45) **Date of Patent:** **** *Dec. 8, 2009**

(54) **ELECTROMECHANICAL, SWIVELING
RATCHET TORQUE WRENCH**

7,107,884 B2 * 9/2006 Cutler et al. 81/479
D533,038 S * 12/2006 Hsu D8/24
2002/0152820 A1 * 10/2002 Tsuji et al. 73/862.21

(76) Inventor: **Bradley G. Jenkins**, 1803 Business
Center Dr., Duarte, CA (US) 91010

* cited by examiner

(*) Notice: This patent is subject to a terminal dis-
claimer.

Primary Examiner—Raphael Barkai
Assistant Examiner—Randall H Gholson
(74) *Attorney, Agent, or Firm*—Albert O. Cota

(**) Term: **14 Years**

(57) **CLAIM**

(21) Appl. No.: **29/255,617**

The ornamental design for an electromechanical, swiveling
ratchet torque wrench, as shown and described.

(22) Filed: **Mar. 13, 2006**

DESCRIPTION

(51) **LOC (9) Cl.** **08-05**

(52) **U.S. Cl.** **D8/24**

(58) **Field of Classification Search** D8/17,
D8/21-29; 81/176.1, 119, 186, 177.1, 177.8,
81/177.9, 185.1, 120, 121.1, 125.1, 177.85,
81/3.4, 177.4, 492, 58, 57, 13, 177.7, 60-63.2,
81/166-170, 490

FIG. 1 is a top plan view of an electromechanical, swiveling
ratchet torque wrench showing my new design;
FIG. 2 is a bottom plan view thereof;
FIG. 3 is a left side elevational view thereof,
FIG. 4 is a right side elevational view thereof,
FIG. 5 is a front elevational view thereof,
FIG. 6 is a rear elevational view thereof; and,
FIG. 7 is an enlarged perspective view showing the details of
the electromechanical, swiveling ratchet torque wrench dis-
play and control switches.

See application file for complete search history.

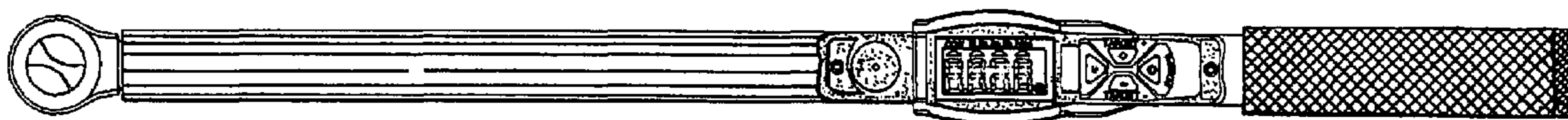
The broken line showing of the display is included for the
purpose of illustration and forms no part of the claimed
design.

(56) **References Cited**

U.S. PATENT DOCUMENTS

4,558,601 A * 12/1985 Stasiak et al. 73/862.23
D286,973 S * 12/1986 Grabovac D8/24
6,167,788 B1 * 1/2001 Schonberger et al. 81/467
D458,817 S * 6/2002 Jenkins D8/24
6,526,853 B2 * 3/2003 Jenkins 81/479
D497,294 S * 10/2004 Becker et al. D8/25
D520,309 S * 5/2006 Hsien D8/25

1 Claim, 4 Drawing Sheets



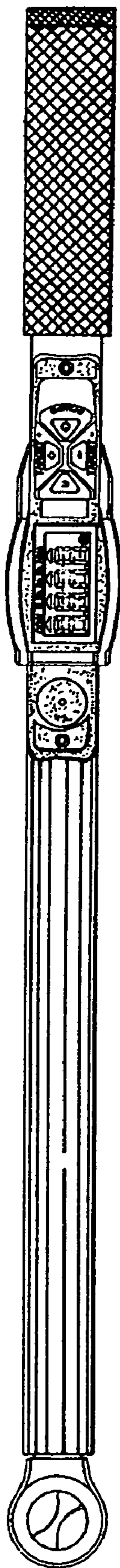


Fig. 1

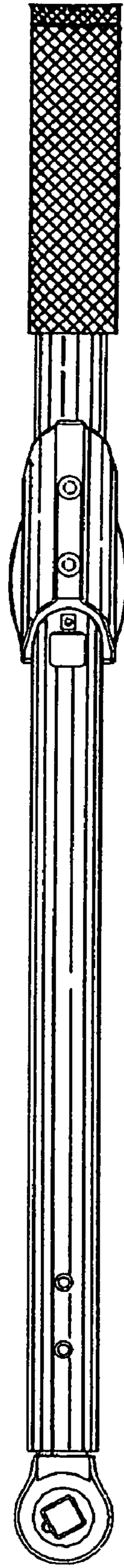


Fig. 2

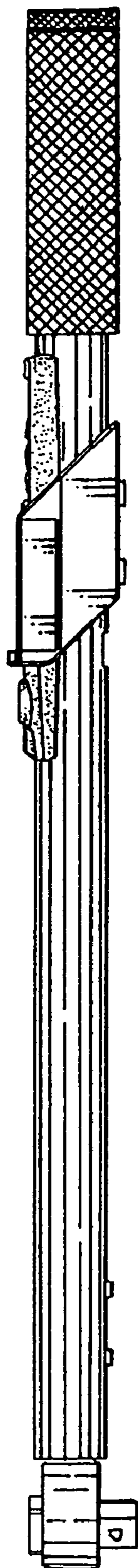


Fig. 3

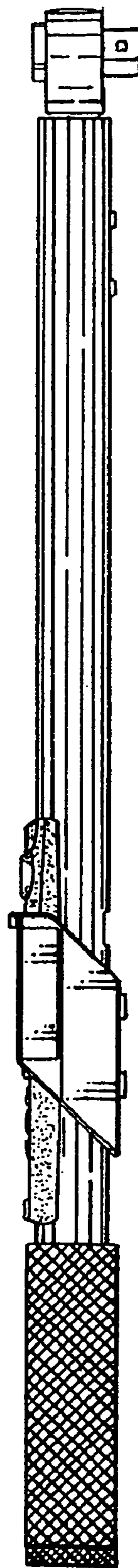


Fig. 4

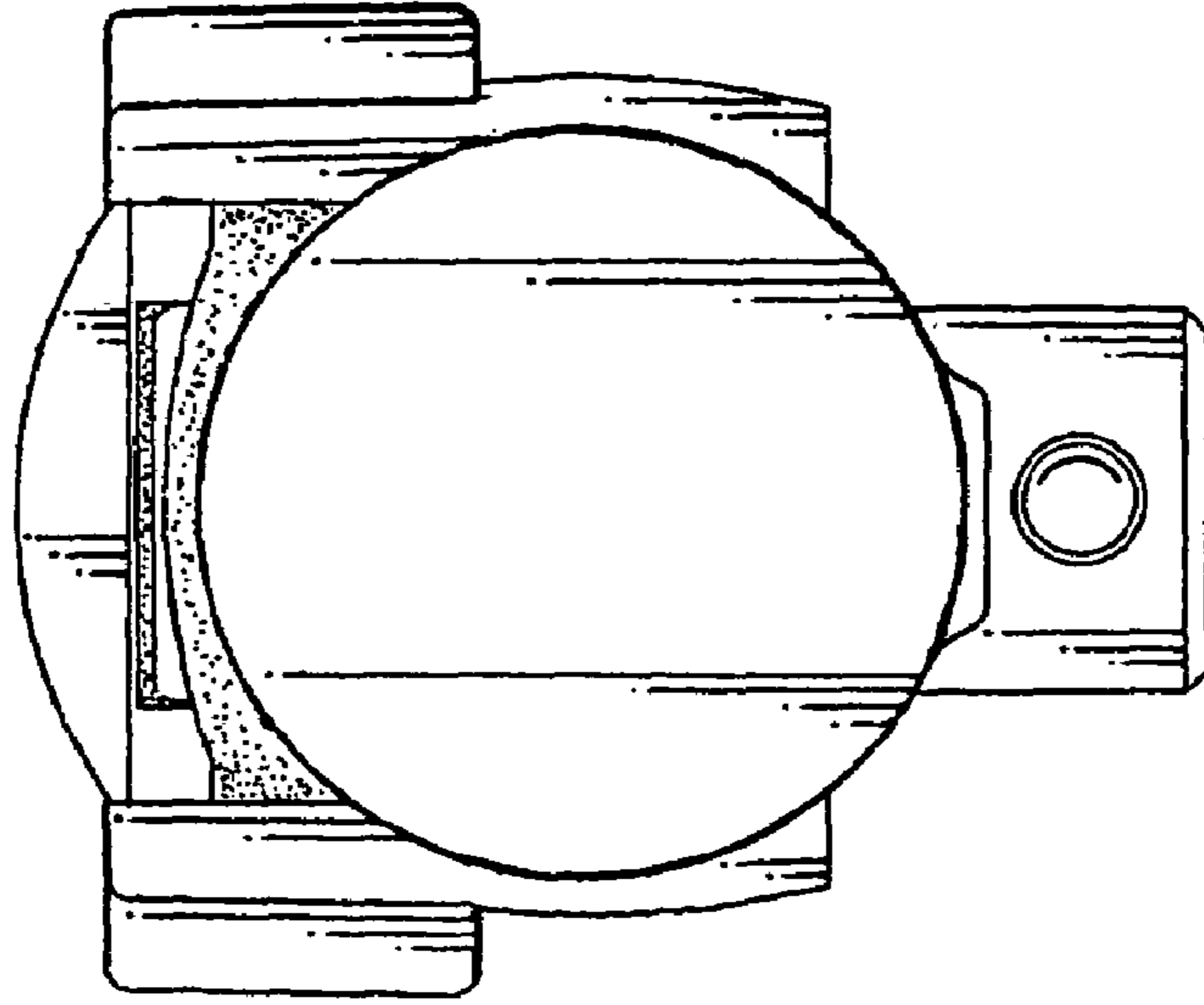


Fig. 6

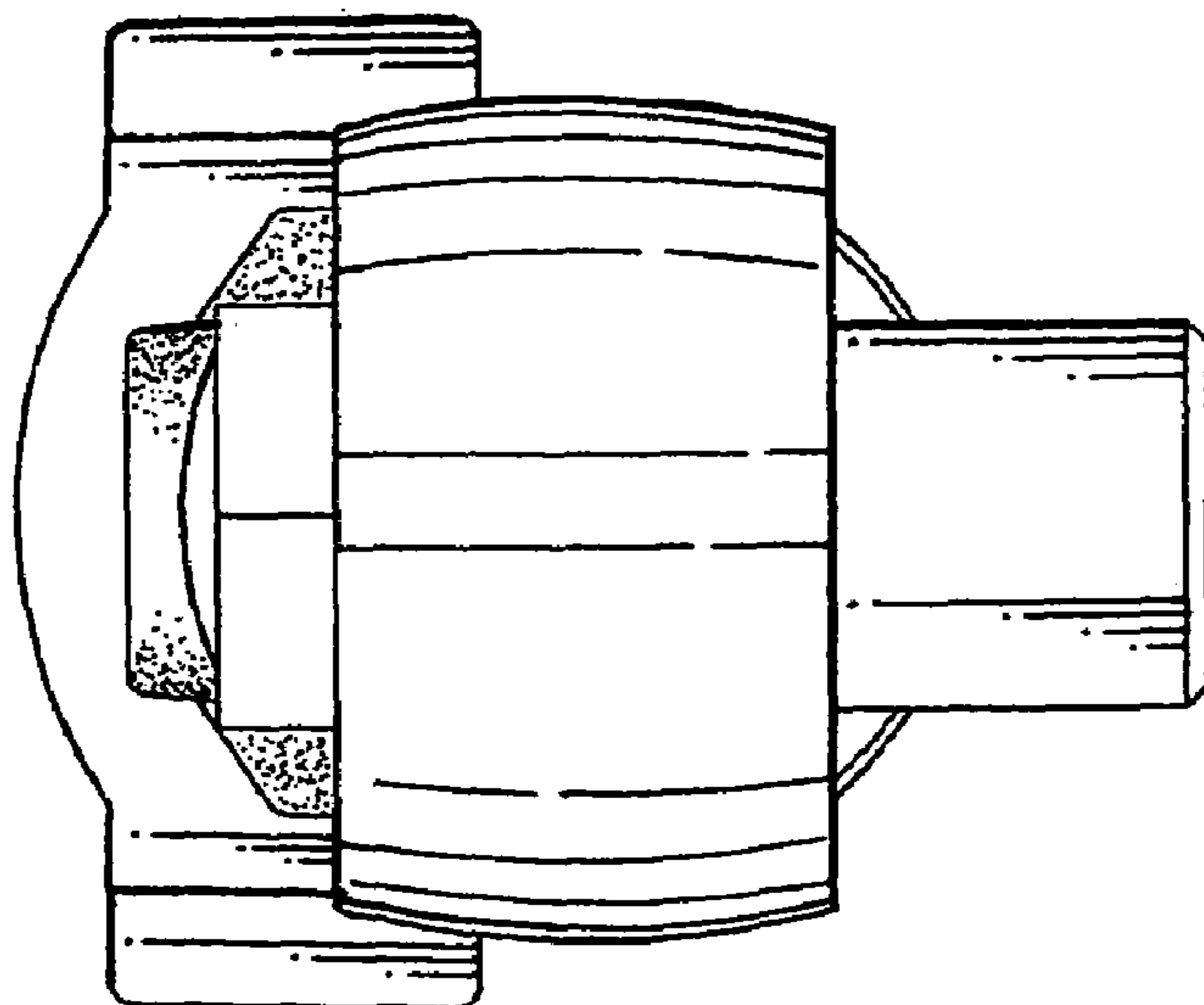


Fig. 5

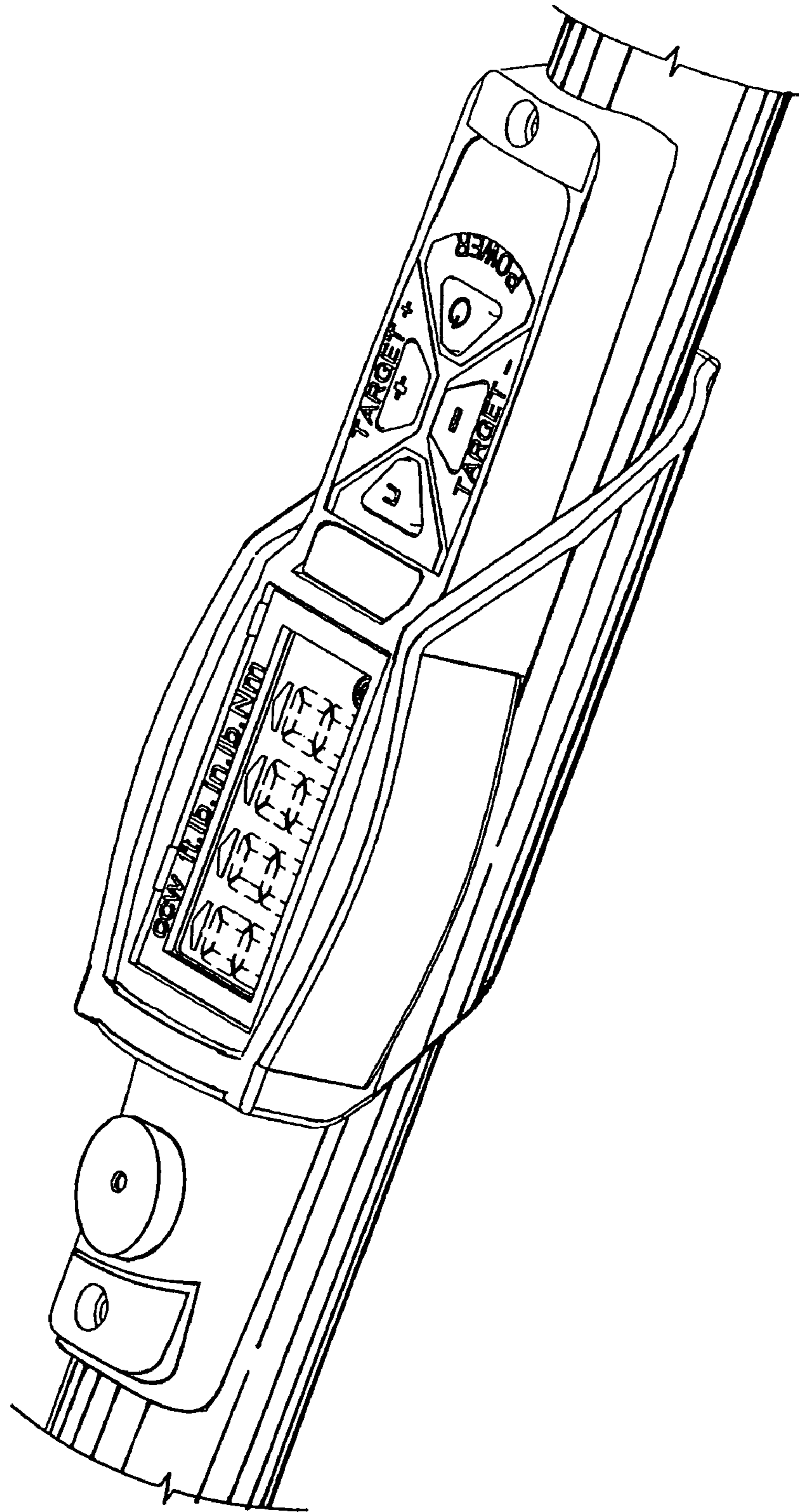


Fig. 7