



US00D605481S

(12) **United States Design Patent**  
**Manak**

(10) **Patent No.:** **US D605,481 S**

(45) **Date of Patent:** **\*\* Dec. 8, 2009**

(54) **DOUBLE PULLING STICK TOOL FOR REPAIRING AUTO BODY PANELS**

(76) Inventor: **Jan Manak**, 11167 Lantern Rd., Fishers, IN (US) 46038

(\*\*) Term: **14 Years**

(21) Appl. No.: **29/327,016**

(22) Filed: **Oct. 29, 2008**

(51) **LOC (9) Cl.** ..... **08-05**

(52) **U.S. Cl.** ..... **D8/14; D8/88**

(58) **Field of Classification Search** ..... D8/14, D8/51, 88; 72/447, 451, 457, 458, 705; 254/120, 254/131

See application file for complete search history.

(56) **References Cited**

**U.S. PATENT DOCUMENTS**

|           |      |         |               |        |
|-----------|------|---------|---------------|--------|
| 1,737,084 | A *  | 11/1929 | Hilstad       | 72/458 |
| 2,191,720 | A *  | 2/1940  | Meinhardt     | 72/458 |
| 2,852,971 | A *  | 9/1958  | Macaluso, Jr. | 72/458 |
| 3,729,974 | A *  | 5/1973  | Tidwell       | 72/292 |
| 4,503,701 | A *  | 3/1985  | Hardy         | 72/372 |
| 4,930,335 | A *  | 6/1990  | Ishihara      | 72/451 |
| D311,317  | S *  | 10/1990 | Ishihara      | D8/51  |
| 6,792,790 | B2 * | 9/2004  | Ritter        | 72/458 |
| 7,520,154 | B1 * | 4/2009  | Pallotti      | 72/458 |

**OTHER PUBLICATIONS**

Catalog, *Collision Services*, p. 100. (undated).  
Catalog, *Auto Body Toolmart*, p. 142. (undated).

\* cited by examiner

*Primary Examiner*—Philip S Hyder

(74) *Attorney, Agent, or Firm*—Woodard, Emhardt, Moriarty, McNett & Henry LLP

(57) **CLAIM**

The ornamental design for a double pulling stick tool for repairing auto body panels, as shown and described.

**DESCRIPTION**

FIG. 1 is an exploded view of a double pulling stick tool for repairing auto body panels, showing my new design;

FIG. 2 is a perspective view of the double pulling stick tool for repairing auto body panels in the assembled full length configuration;

FIG. 3 is a perspective view of the tool of FIG. 1, in a shortened configuration;

FIG. 4 is a top plan view of FIG. 2;

FIG. 5 is a front view of FIG. 2;

FIG. 6 is a bottom view of FIG. 2;

FIG. 7 is a top plan view of FIG. 3;

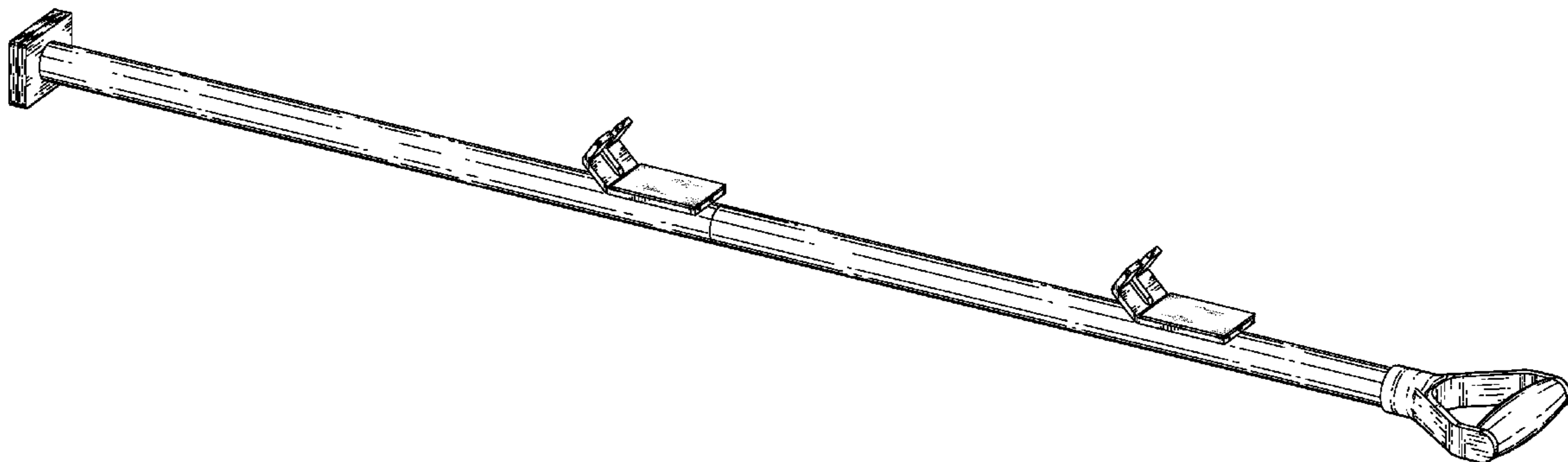
FIG. 8 is a front view of FIG. 3;

FIG. 9 is a bottom plan view of FIG. 3;

FIG. 10 is a right side view of the tool in both the full length and shortened configurations; and,

FIG. 11 is a left side view of the tool in either a long or short configuration.

**1 Claim, 6 Drawing Sheets**



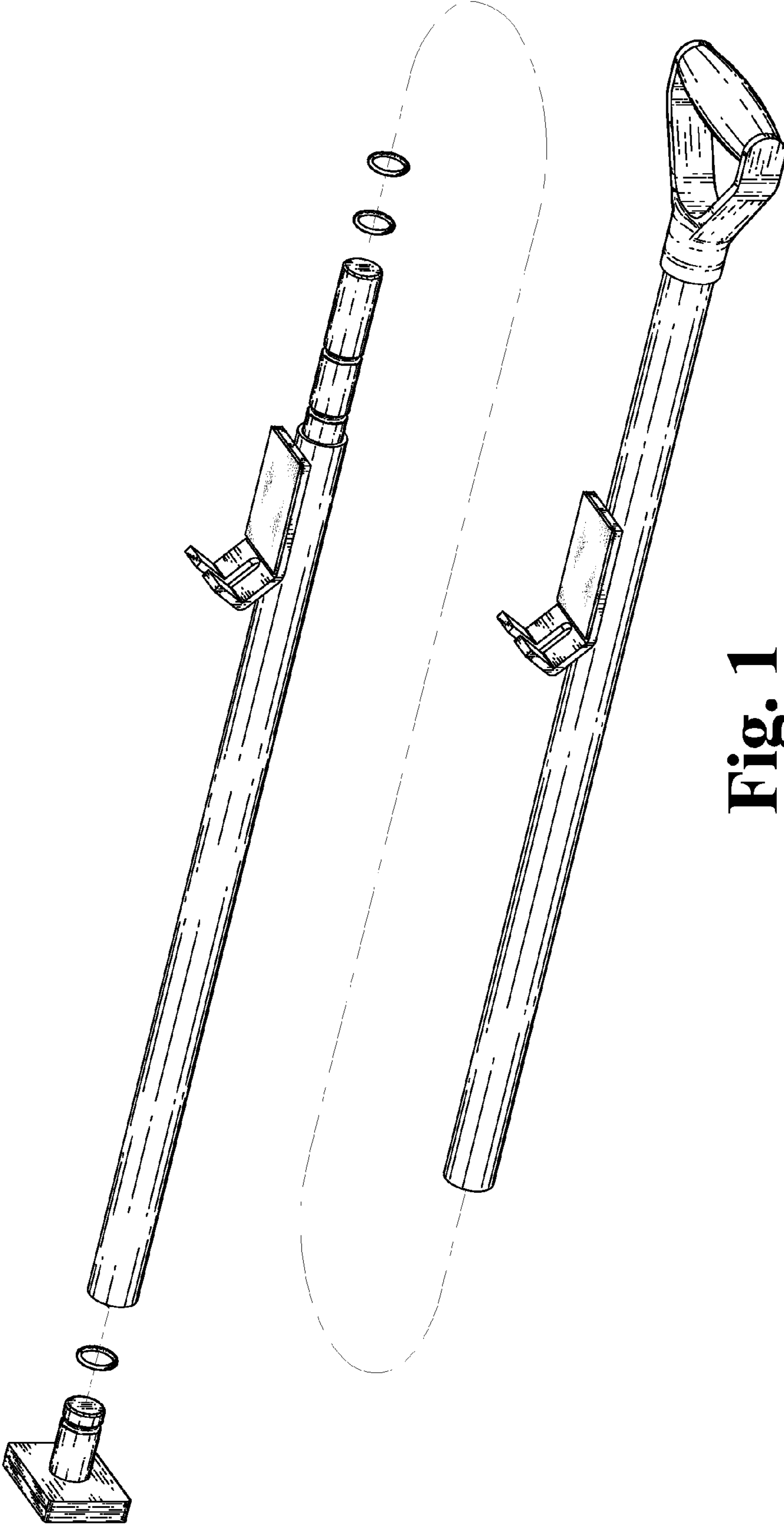


Fig. 1

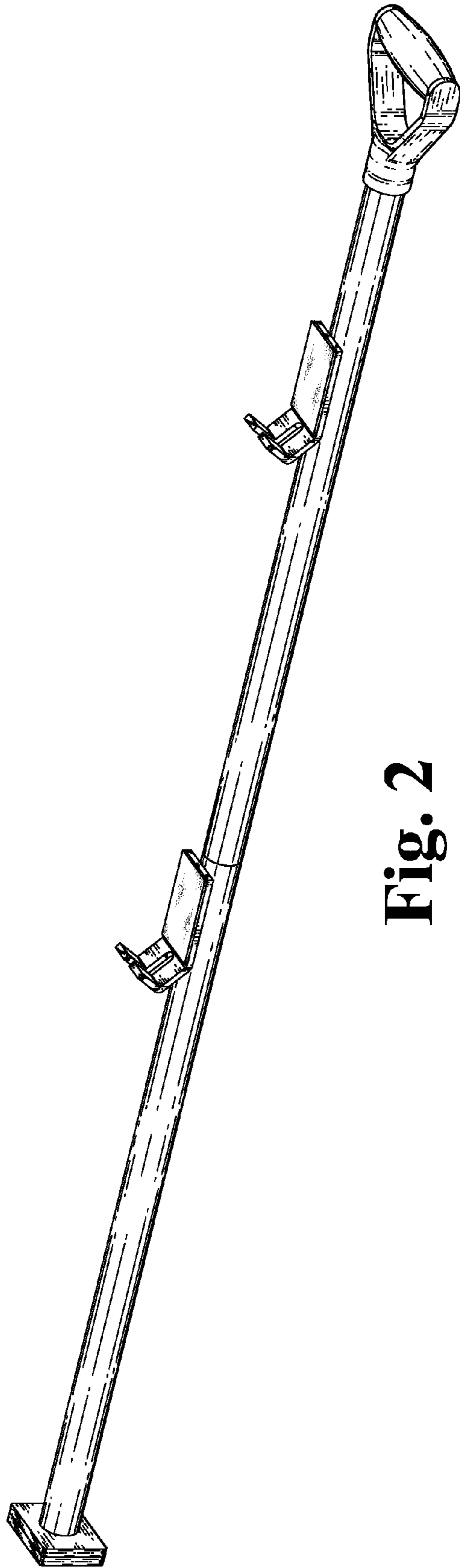


Fig. 2

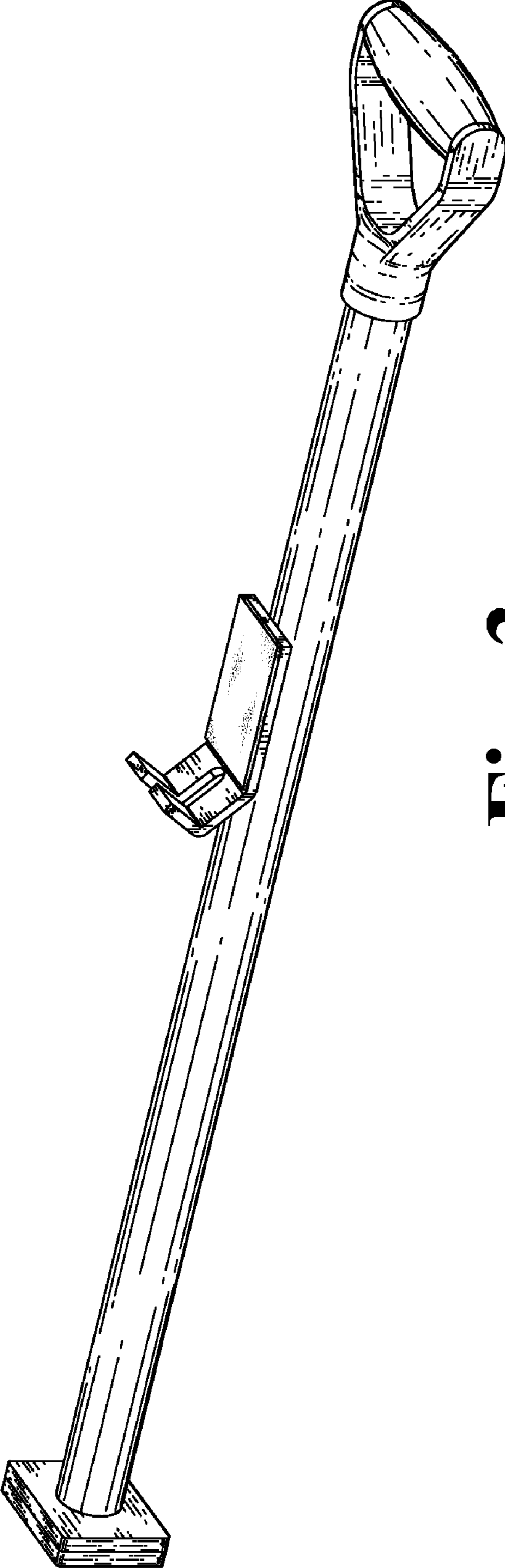


Fig. 3

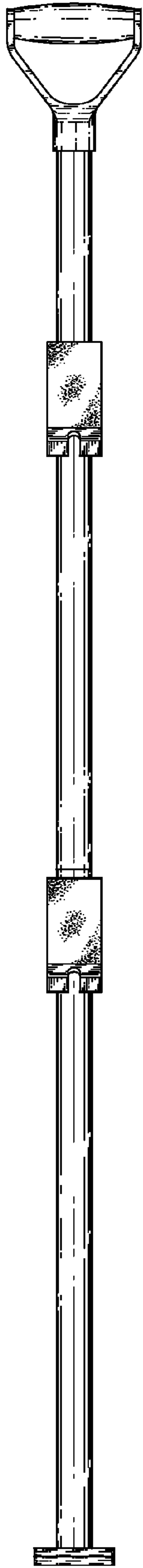


Fig. 4

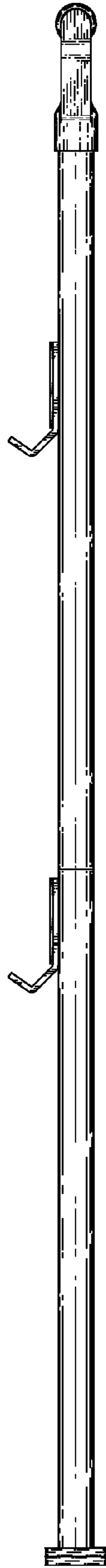


Fig. 5

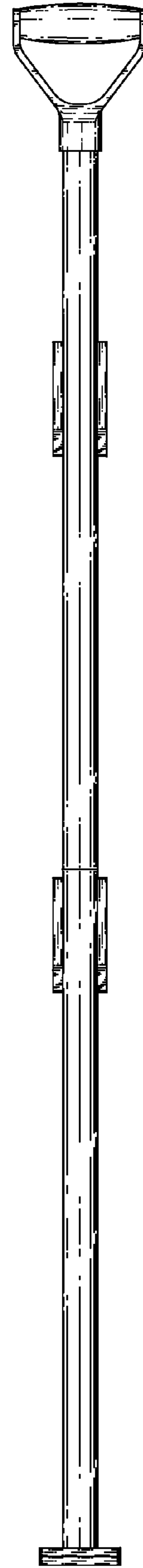


Fig. 6

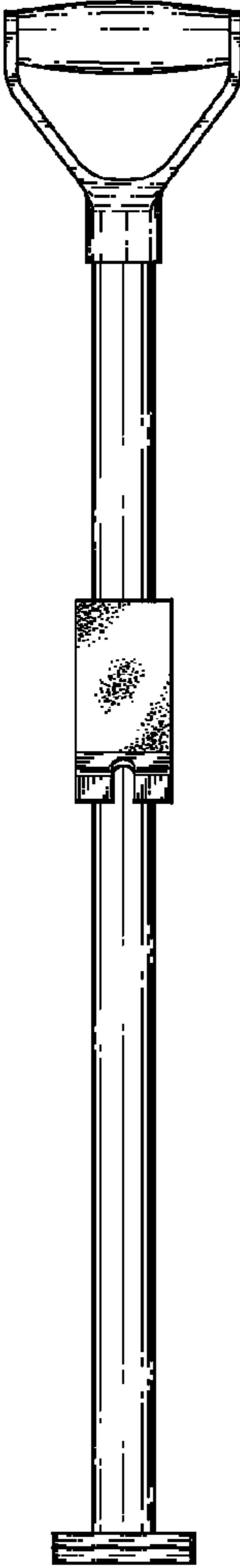


Fig. 7

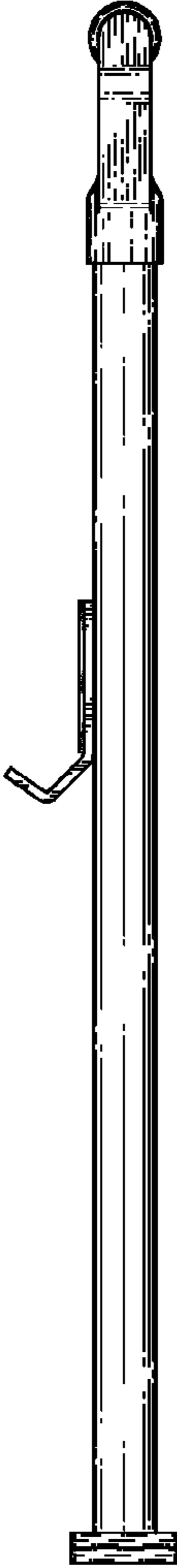


Fig. 8

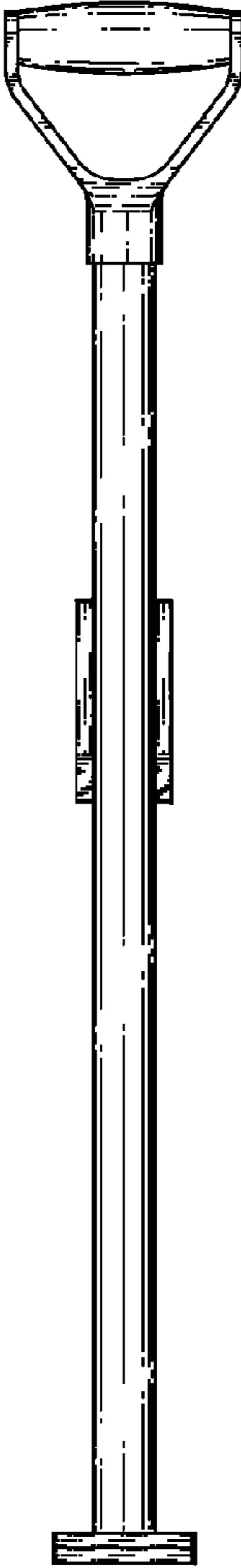
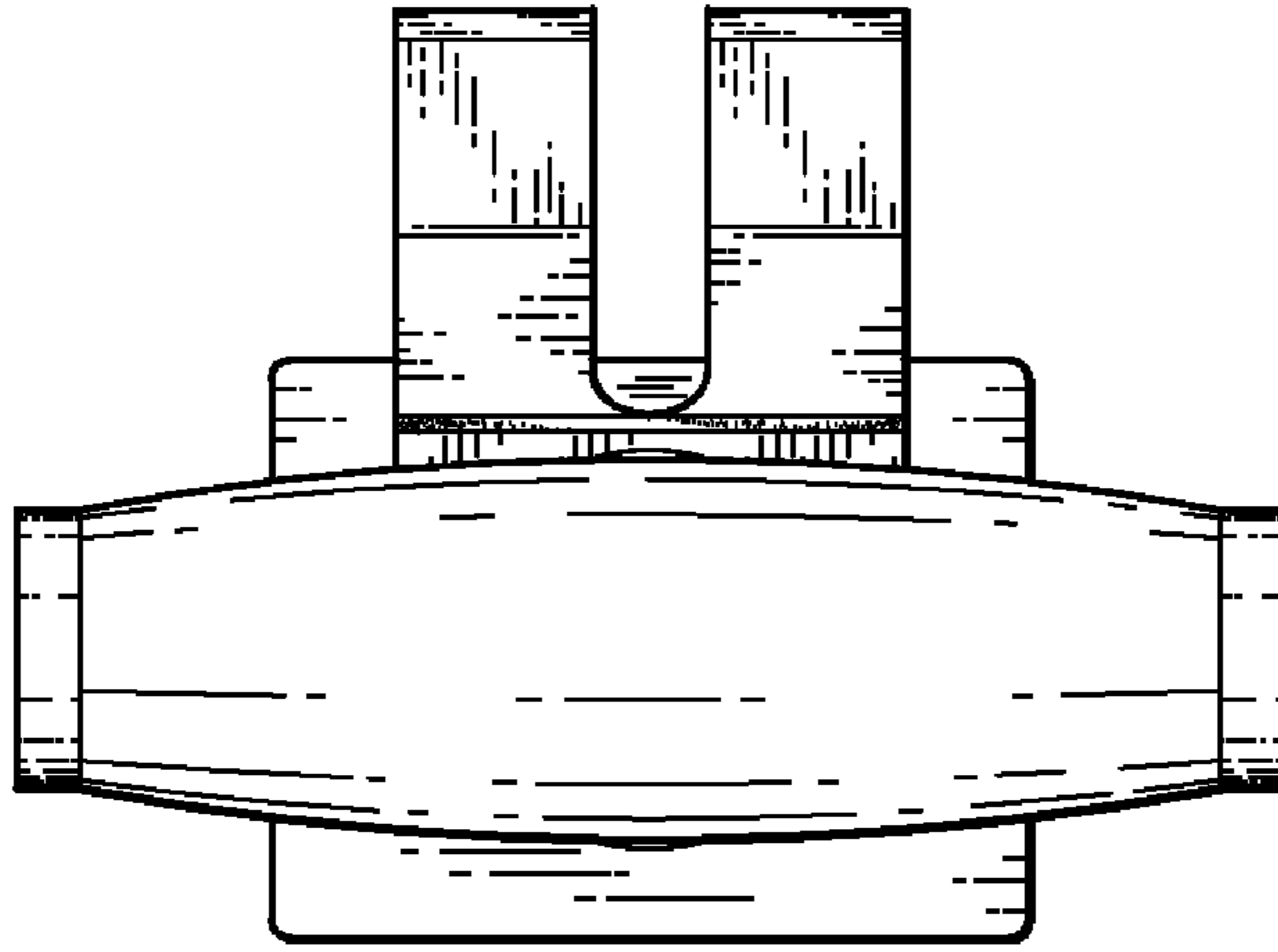
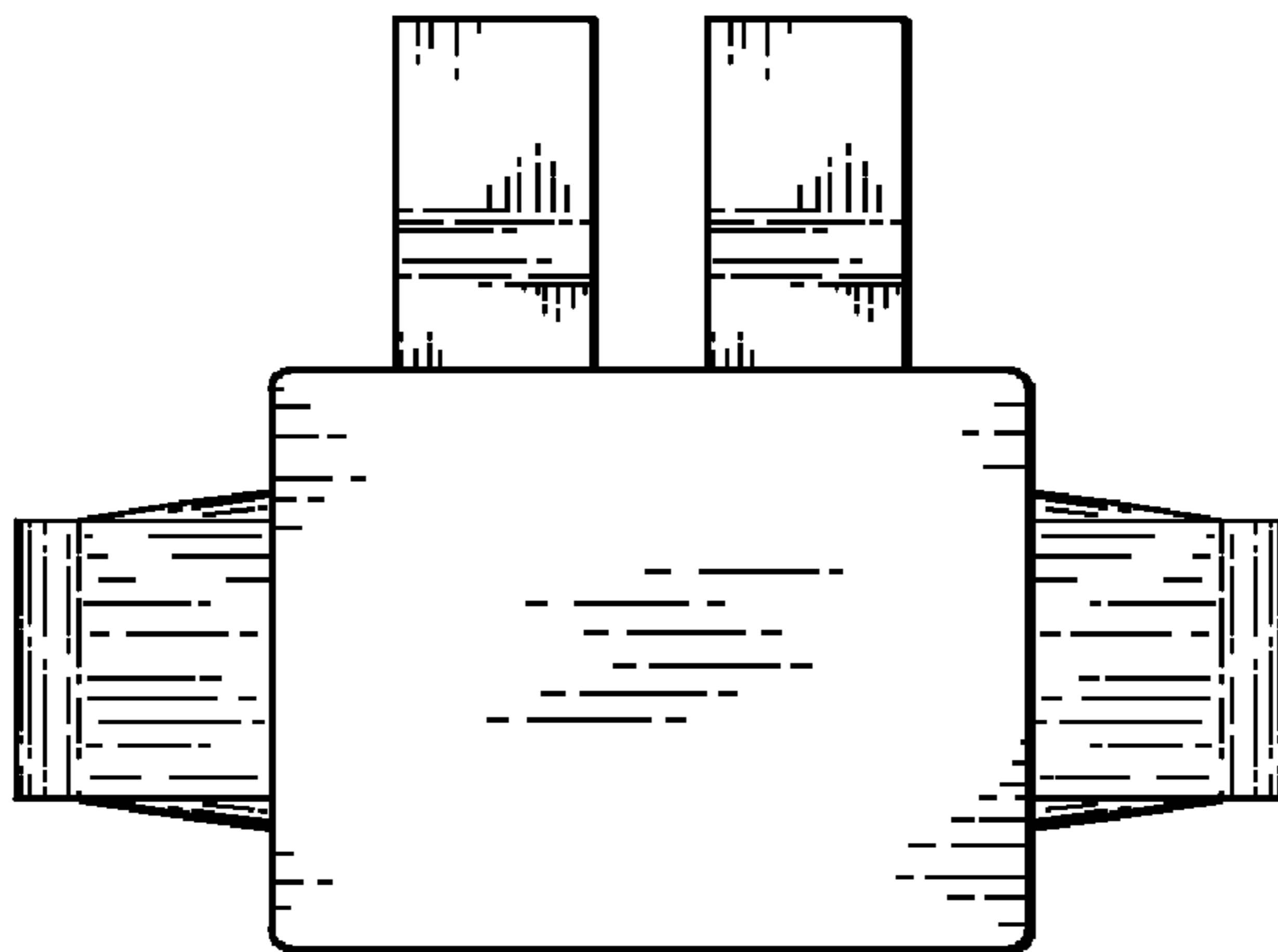


Fig. 9



**Fig. 10**



**Fig. 11**