



US00D605480S

(12) **United States Design Patent**  
**Kalinich**

(10) **Patent No.:** **US D605,480 S**

(45) **Date of Patent:** **\*\* Dec. 8, 2009**

(54) **RAISED BED GARDEN PLANTER**

(75) Inventor: **Michael Kalinich**, Strongsville, OH  
(US)

(73) Assignee: **Kalinich Fence Company**, Strongsville,  
OH (US)

(\*\*) Term: **14 Years**

(21) Appl. No.: **29/315,183**

(22) Filed: **Jun. 3, 2009**

(51) **LOC (9) Cl.** ..... **08-01**

(52) **U.S. Cl.** ..... **D8/1**

(58) **Field of Classification Search** ..... D6/556-558;  
D8/1; D11/143-156; D19/77, 81; D26/9-11;  
D34/1, 2, 4-6; D99/5, 19; 47/32.4, 32.5,  
47/32.7, 33, 41.01, 41.1, 41.11-41.15, 44-47,  
47/65, 65.5, 65.9, 68-71

See application file for complete search history.

(56) **References Cited**

**U.S. PATENT DOCUMENTS**

D27,156 S \* 6/1897 Levit ..... D11/155  
D104,524 S \* 5/1937 Bottome ..... D11/153  
3,396,488 A \* 8/1968 Ries ..... 47/33  
D273,667 S \* 5/1984 Vuarnesson et al. .... D11/155  
4,481,733 A \* 11/1984 Jacobs ..... 47/71

D349,075 S \* 7/1994 Hopkins ..... D11/143  
D401,424 S \* 11/1998 Ogo et al. .... D11/155  
D401,720 S \* 11/1998 Newquist ..... D34/1  
D402,229 S \* 12/1998 Christensen ..... D11/155  
D536,584 S \* 2/2007 Petty ..... D8/1

\* cited by examiner

*Primary Examiner*—Caron Veynar

*Assistant Examiner*—Garth Rademaker

(74) *Attorney, Agent, or Firm*—Wegman, Hessler &  
Vanderburg

(57) **CLAIM**

The ornamental design for a raised bed garden planter, as  
shown and described.

**DESCRIPTION**

FIG. 1 is a perspective view of a raised bed garden planter,  
showing my new design;

FIG. 2 is a top view thereof;

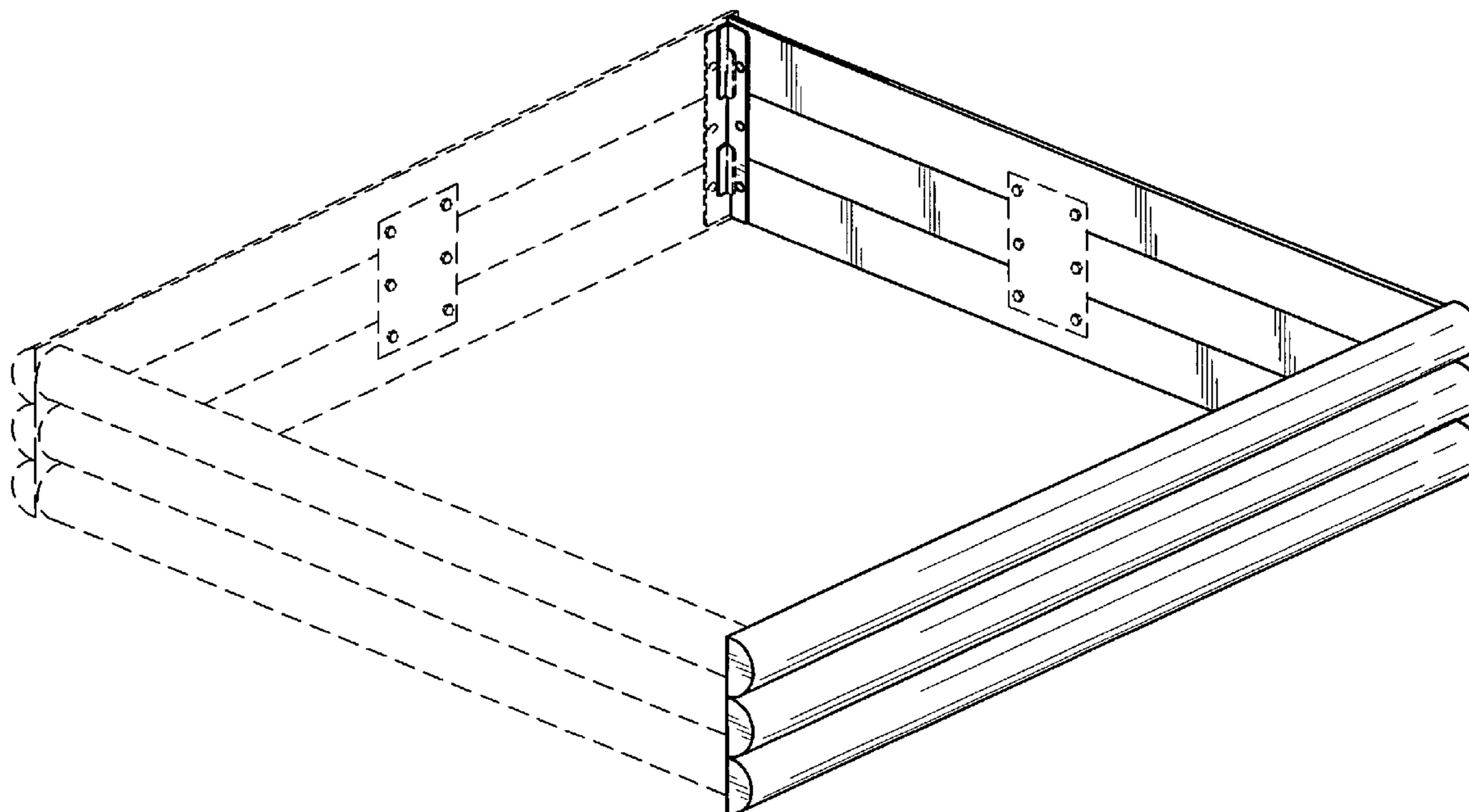
FIG. 3 is a front view thereof;

FIG. 4 is a rear view thereof; and,

FIG. 5 is a side view thereof.

The broken lines depict environmental subject matter only  
and form no part of the claimed design.

**1 Claim, 4 Drawing Sheets**





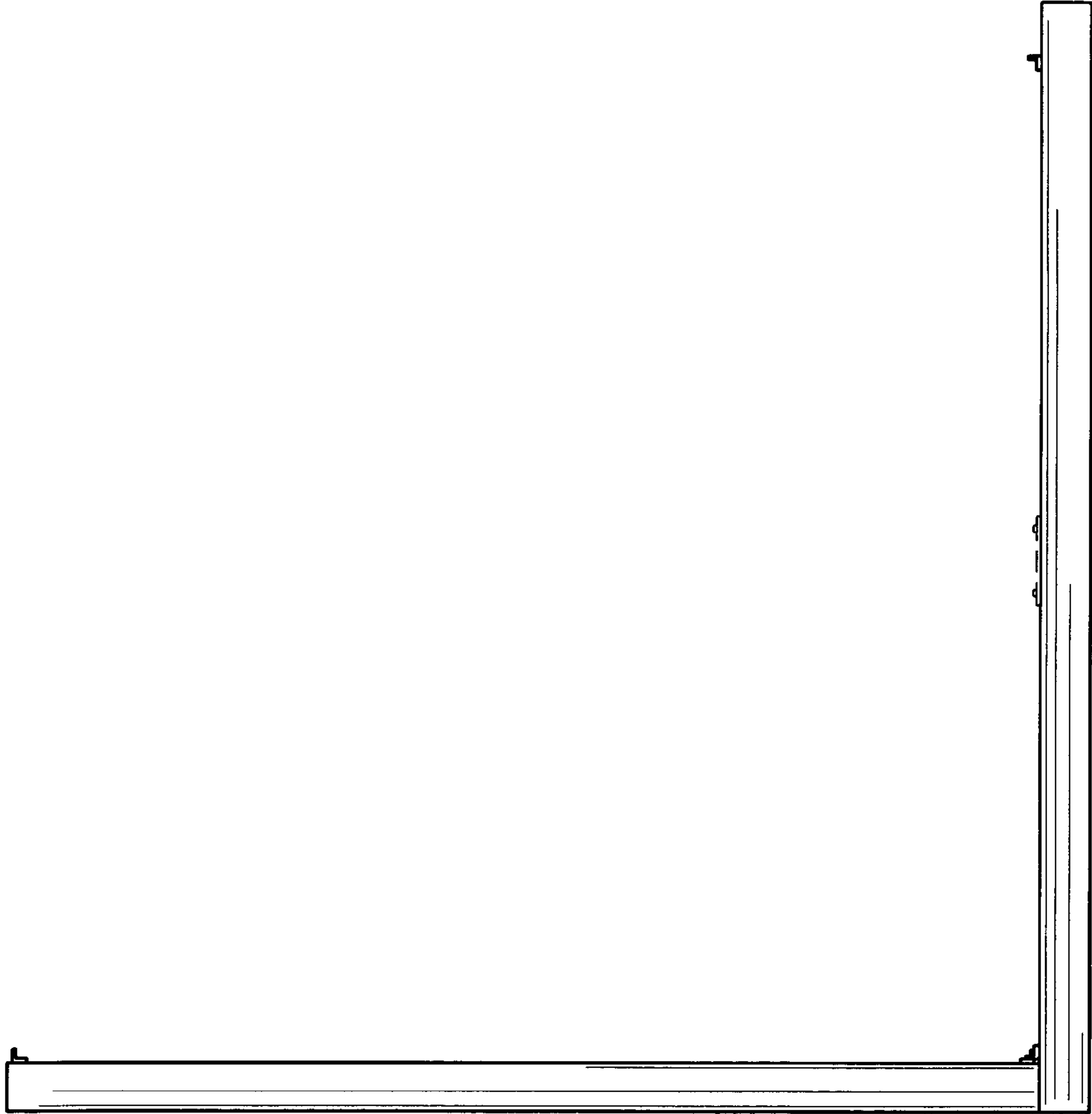


FIG.-2

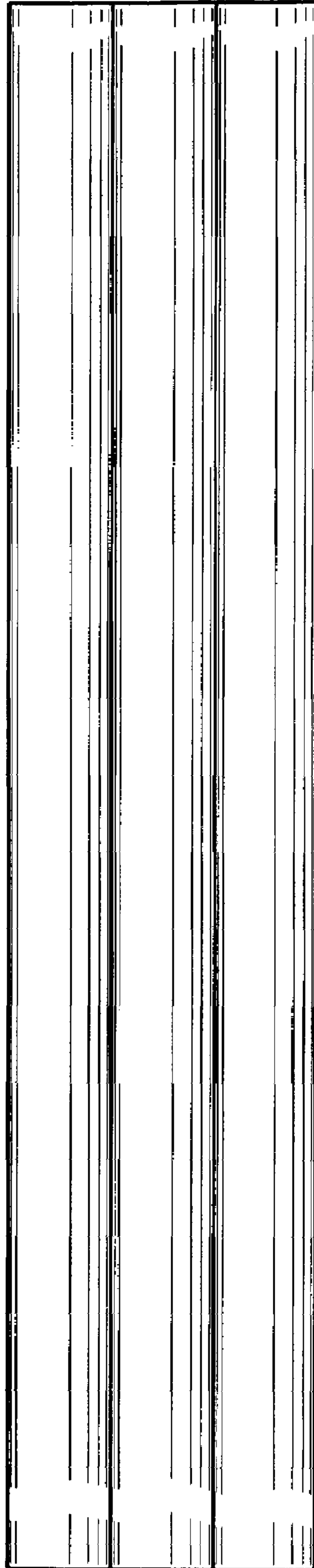


FIG. - 3

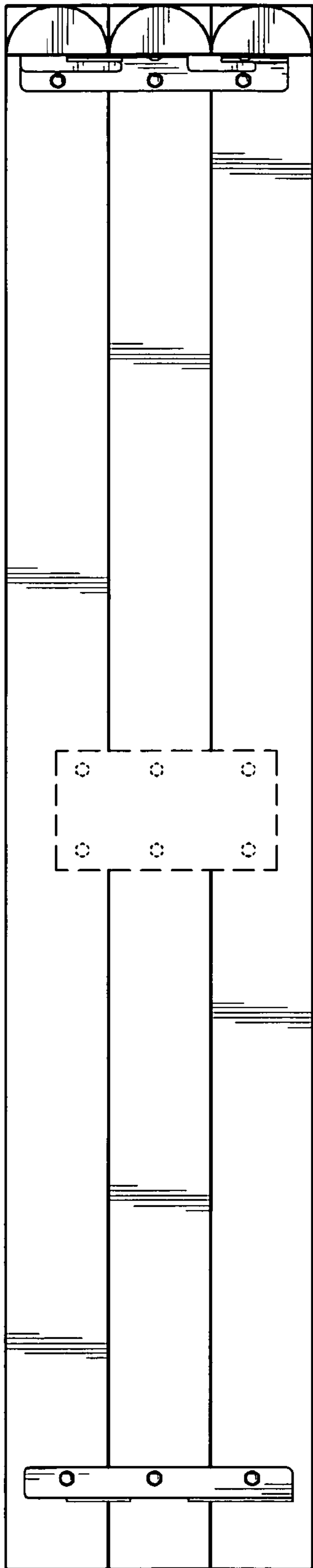


FIG. -4

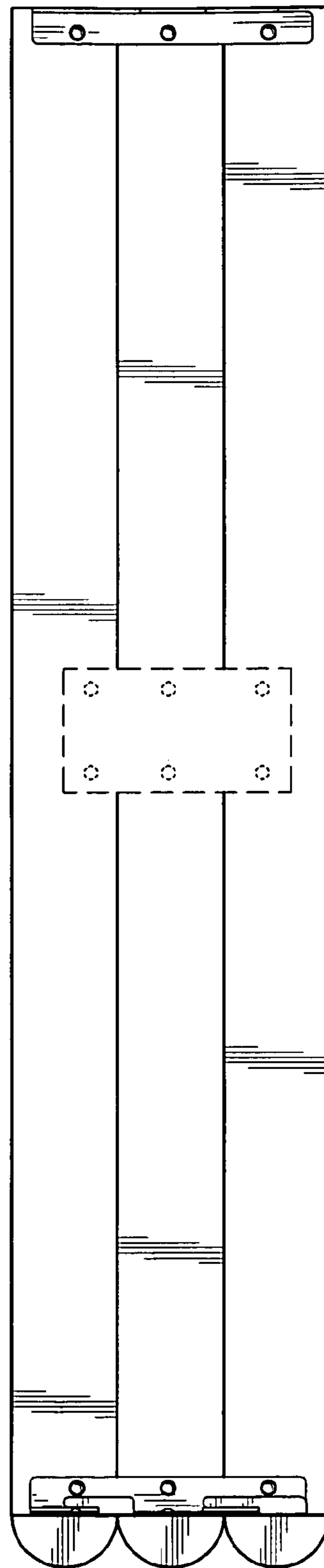


FIG. -5