



US00D605478S

(12) **United States Design Patent**
Melton et al.

(10) **Patent No.:** **US D605,478 S**
(45) **Date of Patent:** **** Dec. 8, 2009**

(54) **FOOD SLICER**

(75) Inventors: **Eric J. Melton**, Alta Loma, CA (US);
Lynette M. Setlich, Chino Hills, CA
(US); **James B. Sheffler**, Chino Hills,
CA (US); **Richard D. Heck**, Lucerne
Valley, CA (US)

(73) Assignee: **Sunkist Growers, Inc.**, Sherman Oaks,
CA (US)

(**) Term: **14 Years**

(21) Appl. No.: **29/333,123**

(22) Filed: **Mar. 3, 2009**

(51) **LOC (9) Cl.** **07-04**

(52) **U.S. Cl.** **D7/673**

(58) **Field of Classification Search** D7/672-675,
D7/693, 695; 99/544, 554, 545, 537, 538;
83/856, 857, 858, 932; 30/114, 117, 130,
30/299, 337, 123.5, 123.6, 302, 303, 312,
30/305, 315, 316

See application file for complete search history.

(56) **References Cited**

U.S. PATENT DOCUMENTS

3,830,151 A * 8/1974 Gerson 99/537
4,062,260 A * 12/1977 Steinhogel 83/404.3
4,436,025 A * 3/1984 Jones 99/538

4,569,280 A * 2/1986 D'Ambro et al. 99/538
4,959,903 A * 10/1990 Daoust et al. 30/123.5
5,337,480 A * 8/1994 Codikow 30/114
D388,665 S * 1/1998 So D7/673
D415,937 S * 11/1999 Robinson D7/673
D521,819 S * 5/2006 So et al. D7/673

* cited by examiner

Primary Examiner—Terry A Wallace

(74) *Attorney, Agent, or Firm*—Sughrue Mion, PLLC

(57) **CLAIM**

The ornamental design for a food slicer, as shown and described.

DESCRIPTION

FIG. 1 is a perspective view of the claimed invention;

FIG. 2 is an elevation view of the claimed invention showing a first side;

FIG. 3 is an elevation view of the claimed invention showing a second side;

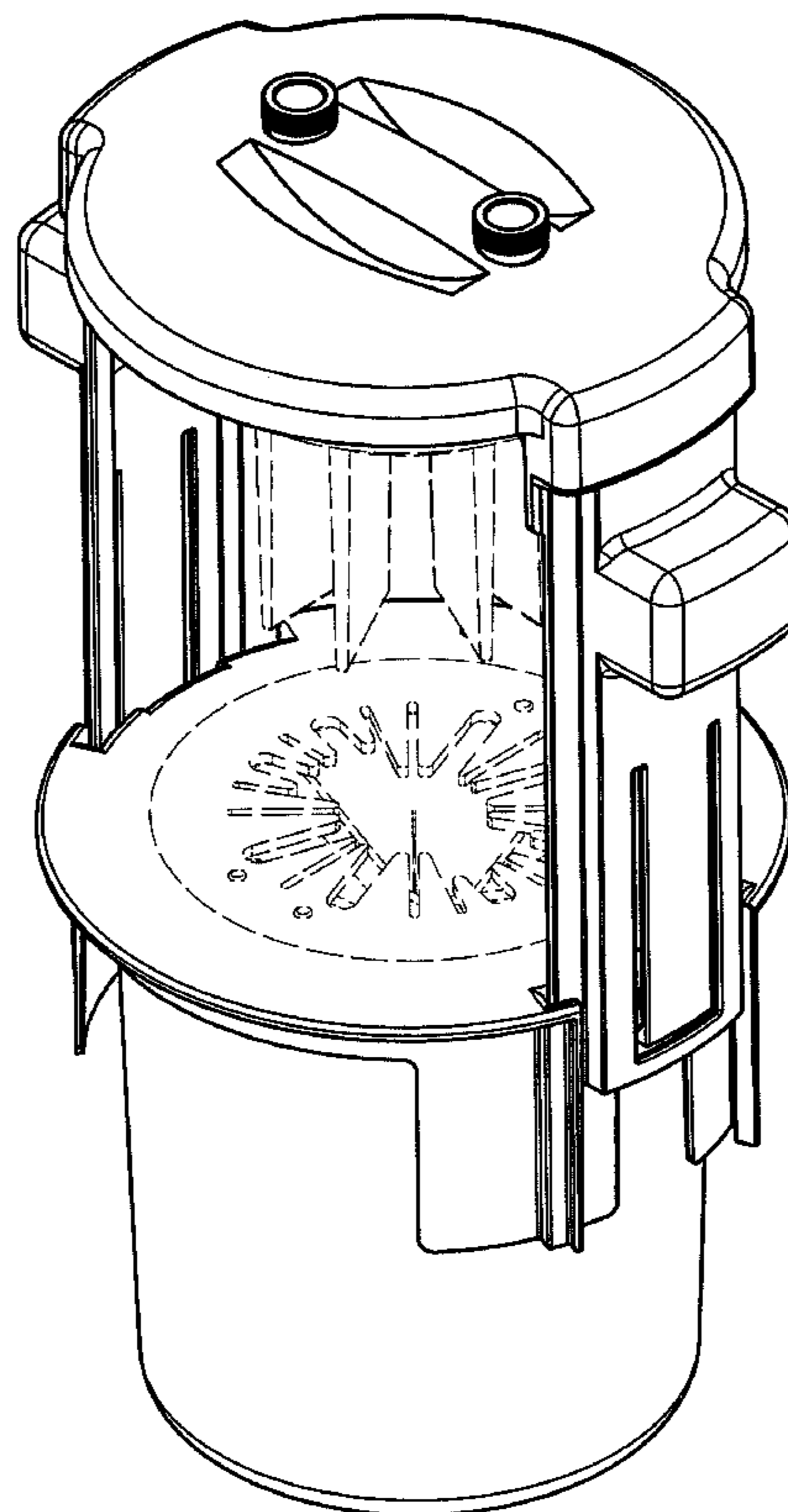
FIG. 4 is a top view of the claimed invention;

FIG. 5 is a bottom view of the claimed invention; and,

FIG. 6 is a bottom perspective view of the claimed invention.

The broken lines are for illustrative purposes only and form no part of the claimed design.

1 Claim, 6 Drawing Sheets



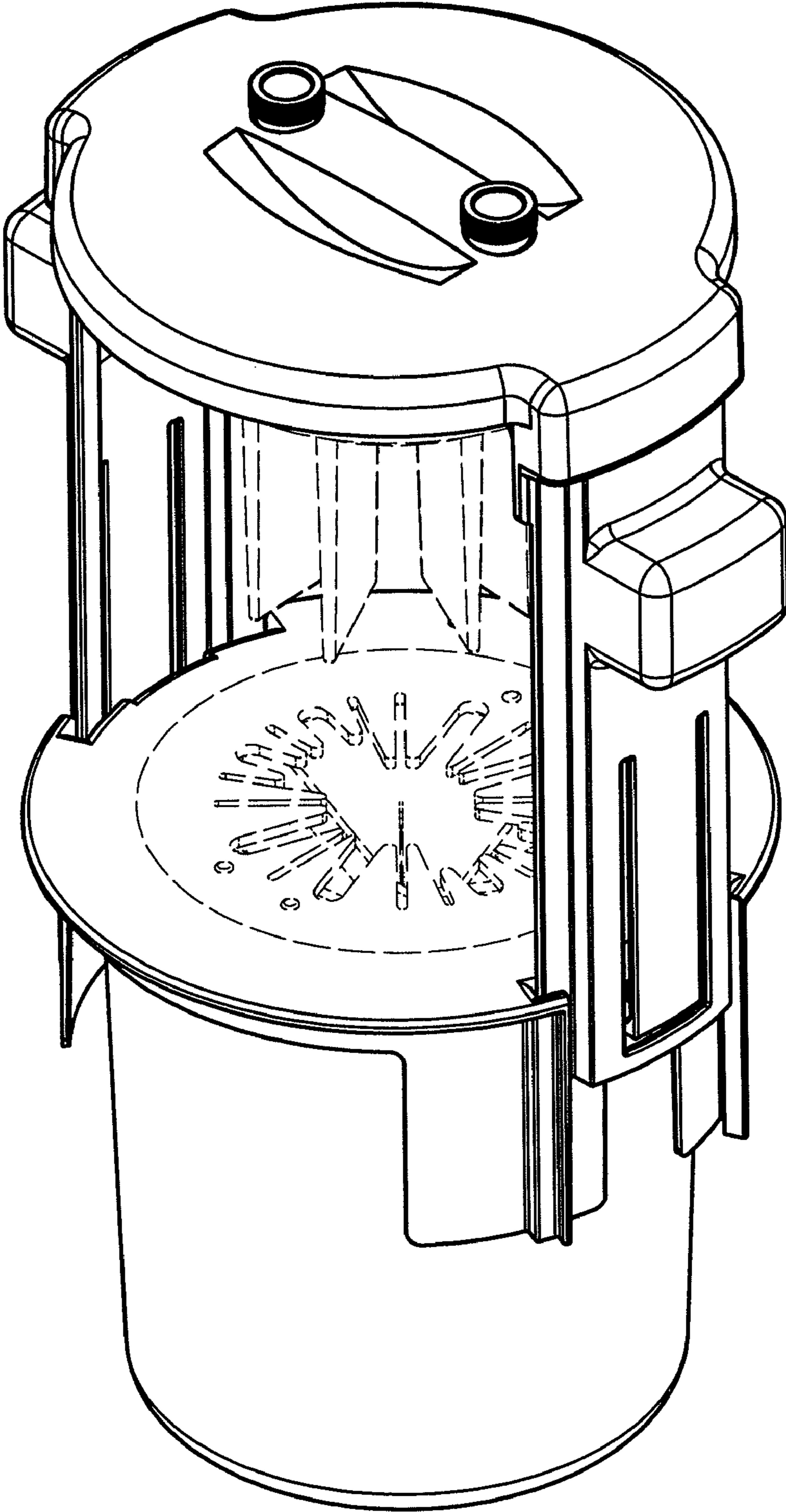


FIG. 1

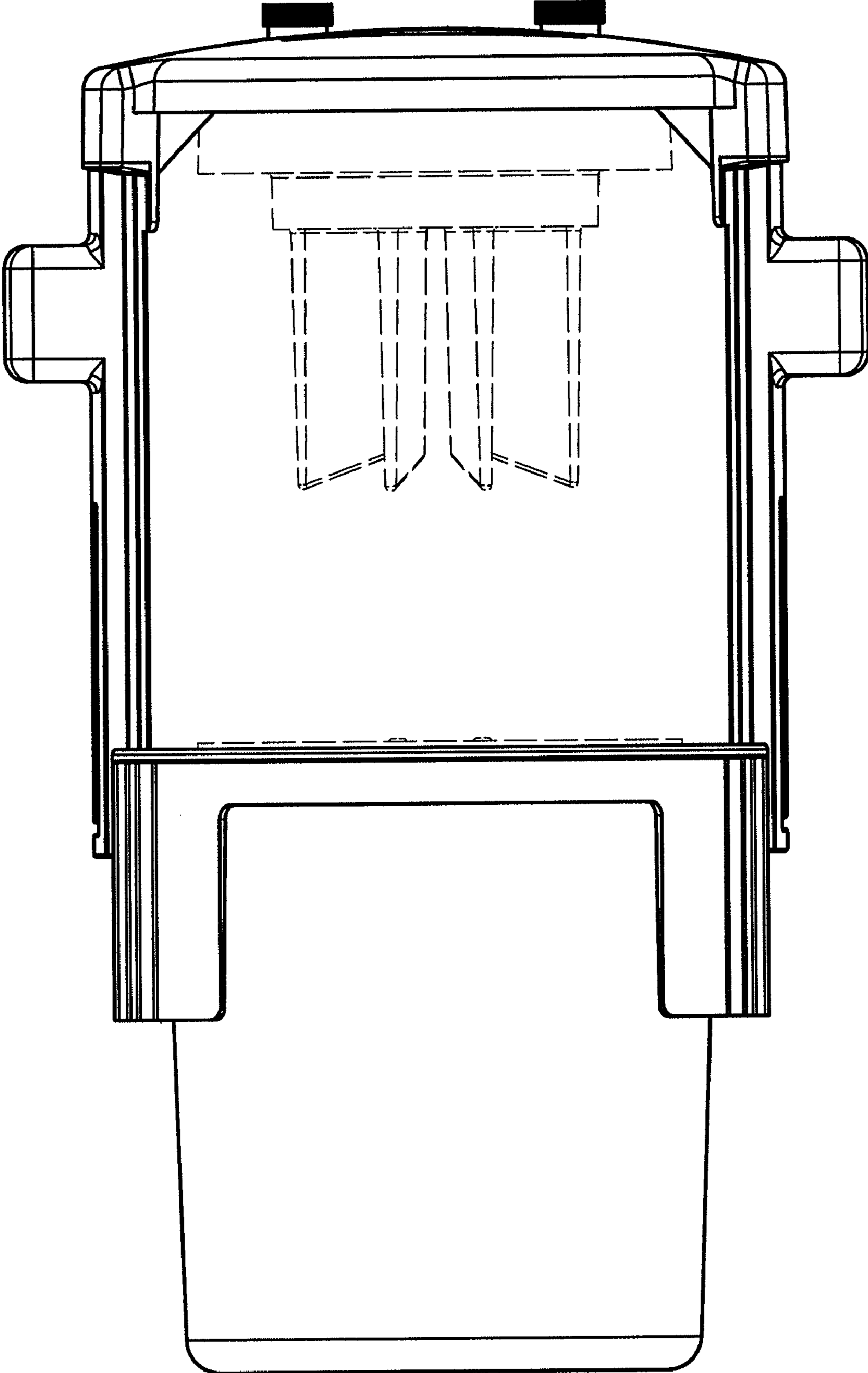


FIG. 2

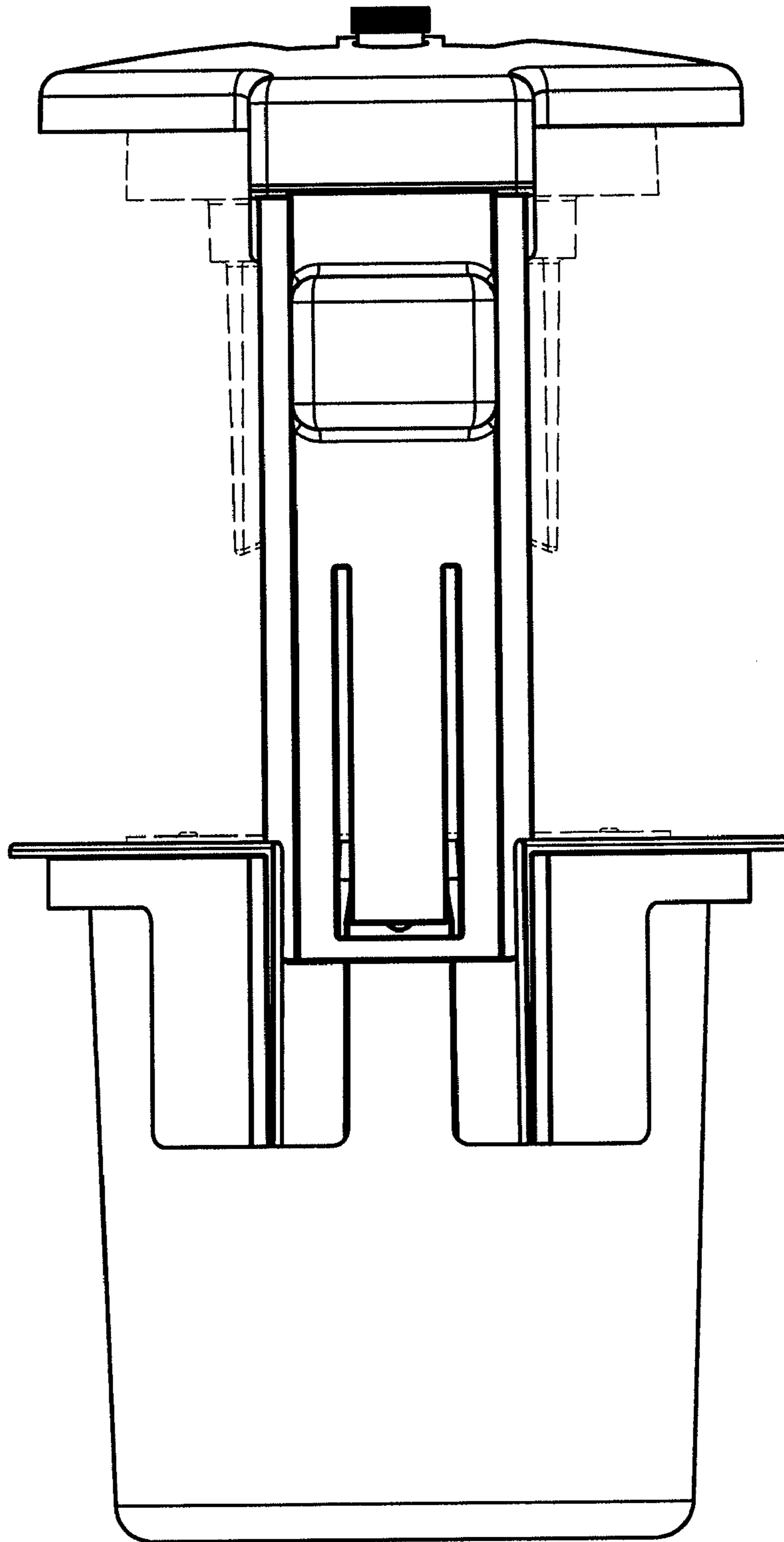


FIG. 3

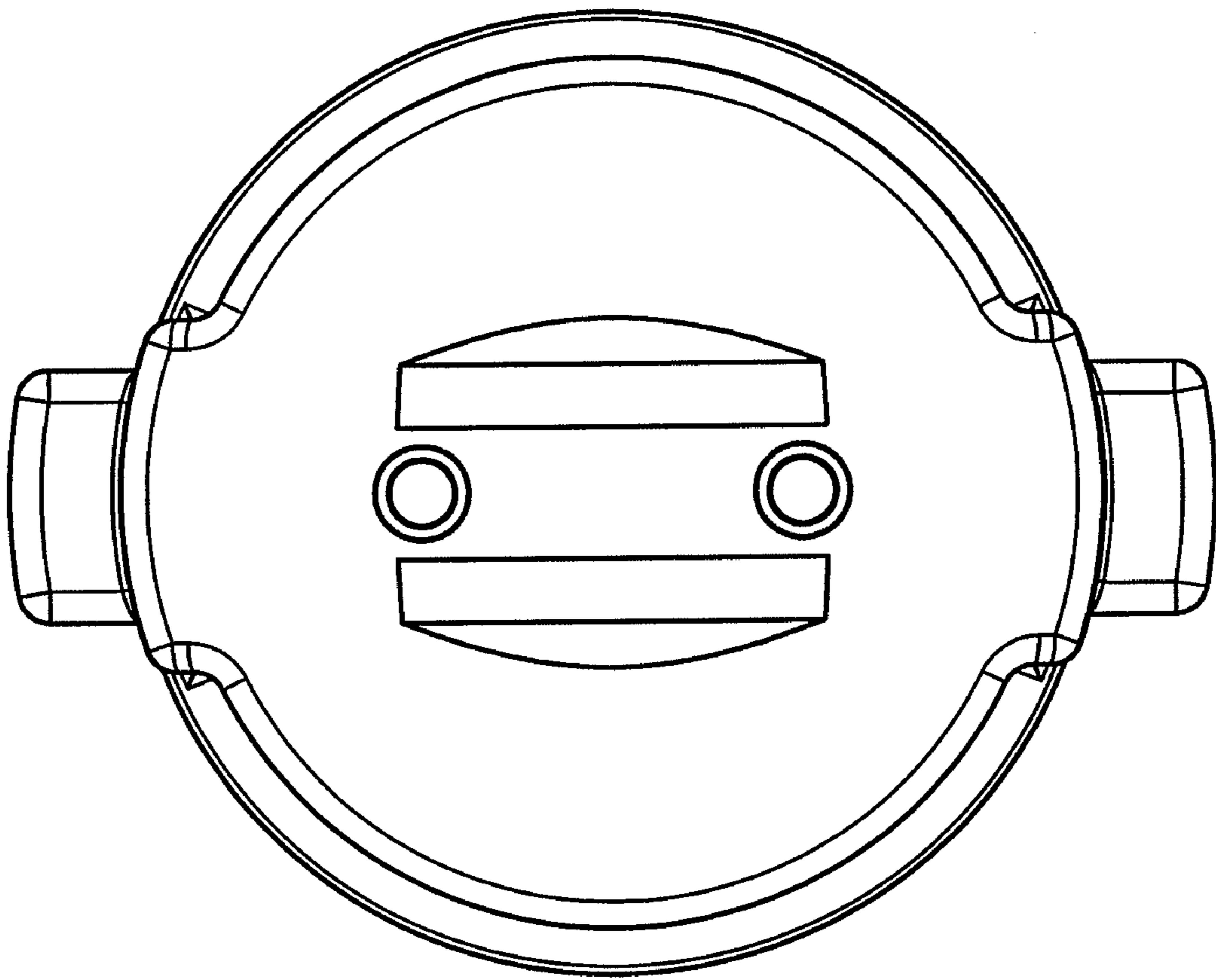


FIG. 4

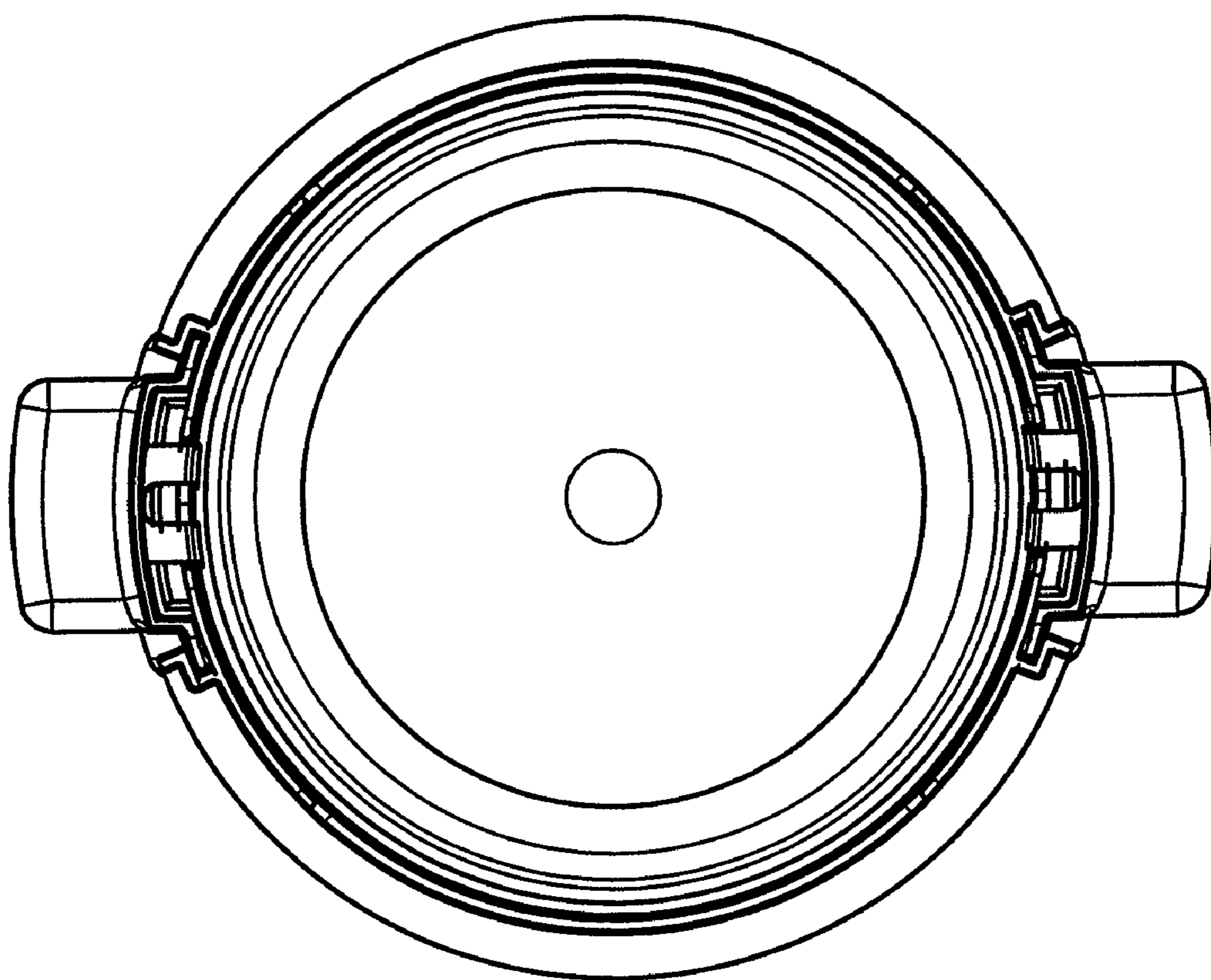


FIG. 5

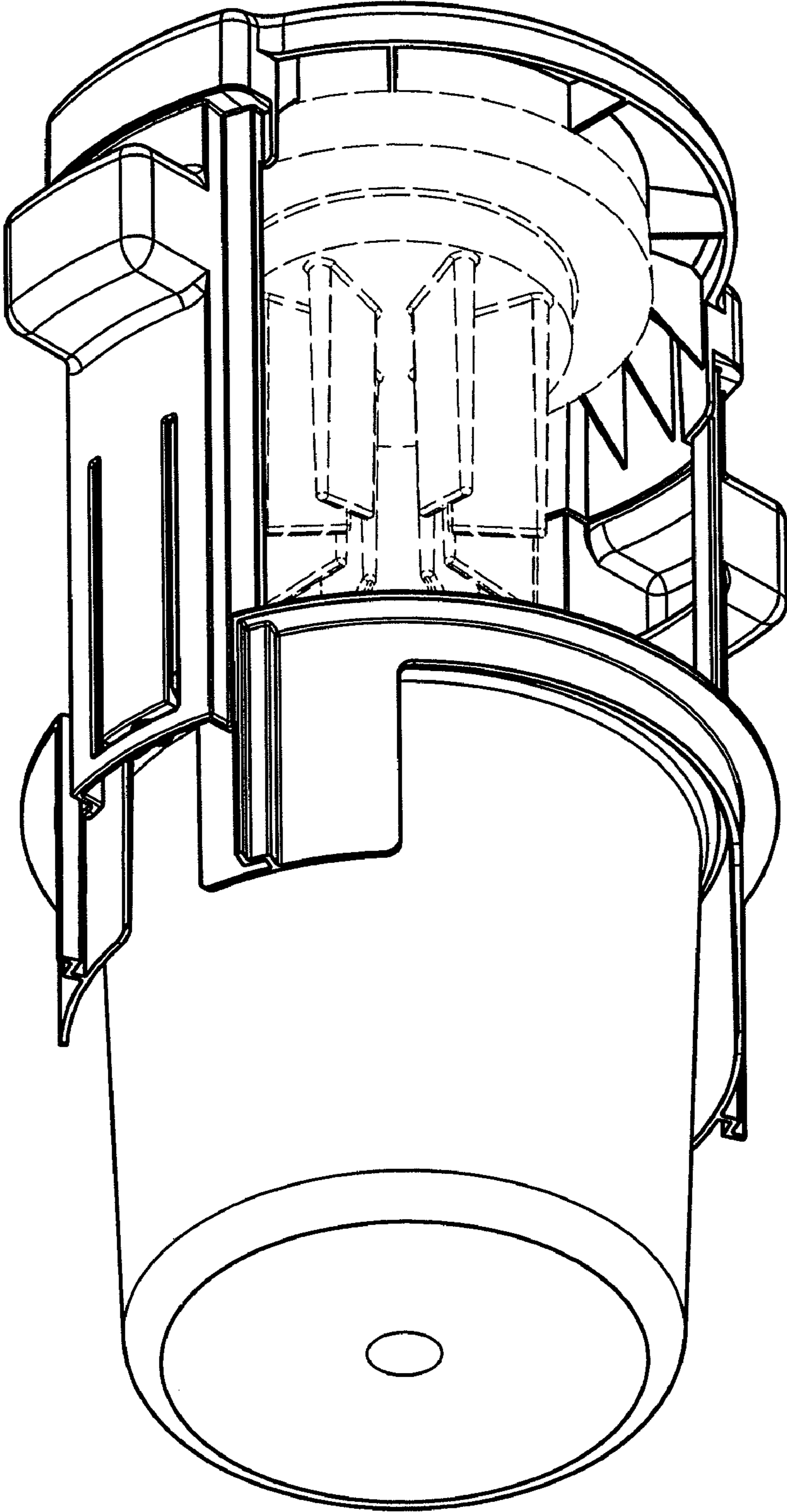


FIG. 6