



US00D605473S

(12) **United States Design Patent**
Richmond

(10) **Patent No.:** **US D605,473 S**

(45) **Date of Patent:** **** Dec. 8, 2009**

(54) **SPOON**

(75) Inventor: **Colin Richmond**, Scottsville, NY (US)

(73) Assignee: **Oneida, Ltd.**, Oneida, NY (US)

(**) Term: **14 Years**

(21) Appl. No.: **29/331,398**

(22) Filed: **Jan. 26, 2009**

(51) **LOC (9) Cl.** **07-03**

(52) **U.S. Cl.** **D7/653**

(58) **Field of Classification Search** D7/368,
D7/395, 401.2, 642-646, 649-654, 660-669,
D7/675-676, 683, 688-692, 695-696; 30/137,
30/141-143, 147-150, 322-327, 329, 340,
30/342-346; 416/70 R

See application file for complete search history.

(56) **References Cited**

U.S. PATENT DOCUMENTS

D242,979 S *	1/1977	Lanzoni	D7/653
D259,990 S *	7/1981	Richmond, II	D7/653
D435,200 S *	12/2000	Thompson	D7/653
D448,255 S *	9/2001	Shane-Schuldt	D7/653

D463,222 S *	9/2002	Junko	D7/653
D491,421 S *	6/2004	Shane-Schuldt	D7/653
D545,141 S *	6/2007	Shane-Schuldt	D7/653

* cited by examiner

Primary Examiner—Caron Veynar

Assistant Examiner—Ricky Pham

(74) *Attorney, Agent, or Firm*—Majama Muldoon Blasiak & Sullivan LLP

(57) **CLAIM**

The ornamental design for a spoon, as shown and described.

DESCRIPTION

FIG. 1 is a top plan view of a spoon, illustrating my new design;

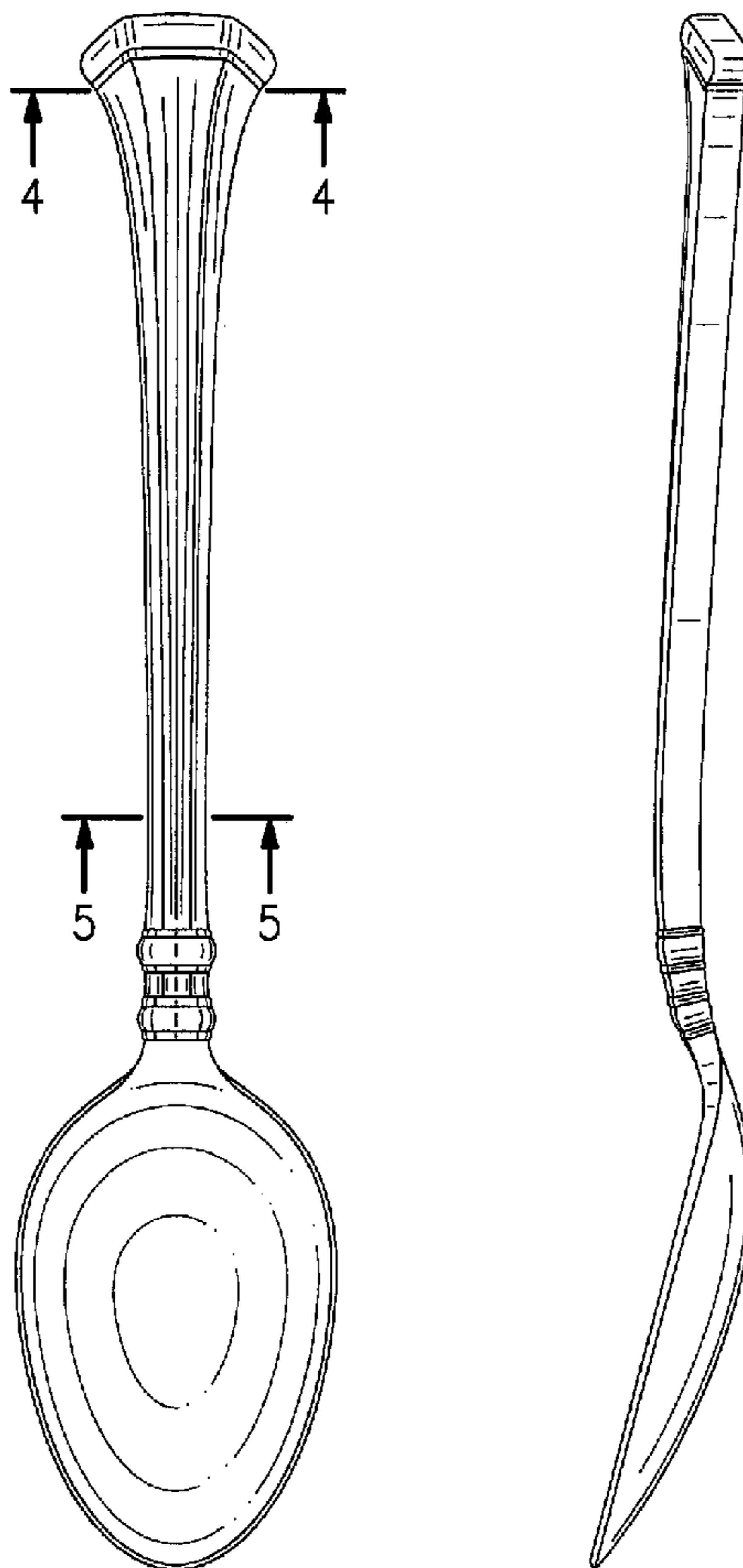
FIG. 2 is a right side view thereof, the left side view being a mirror image;

FIG. 3 is a bottom view thereof;

FIG. 4 is a cross-sectional view taken through line 4—4 of FIG. 1; and,

FIG. 5 is a cross-sectional view taken through line 5—5 of FIG. 1.

1 Claim, 1 Drawing Sheet



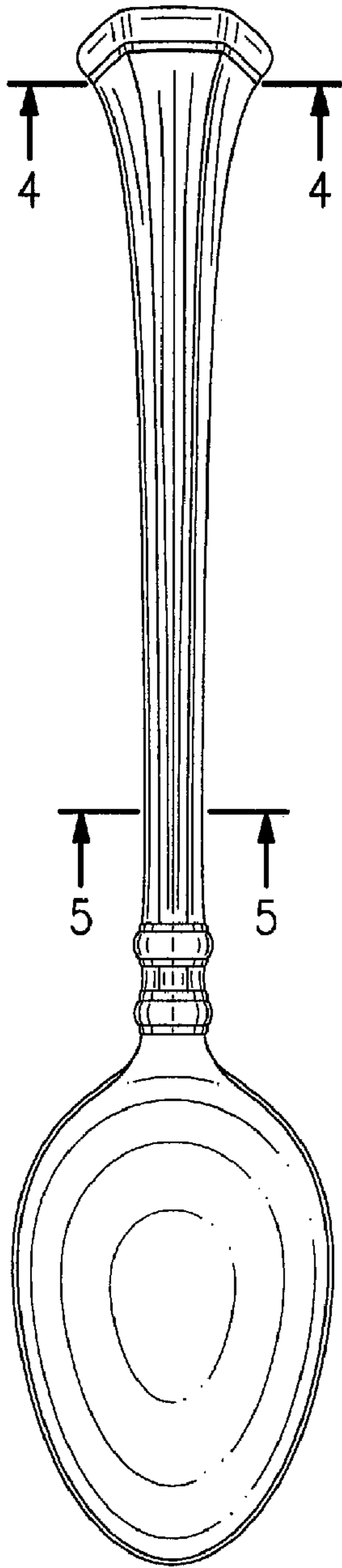


FIG.1

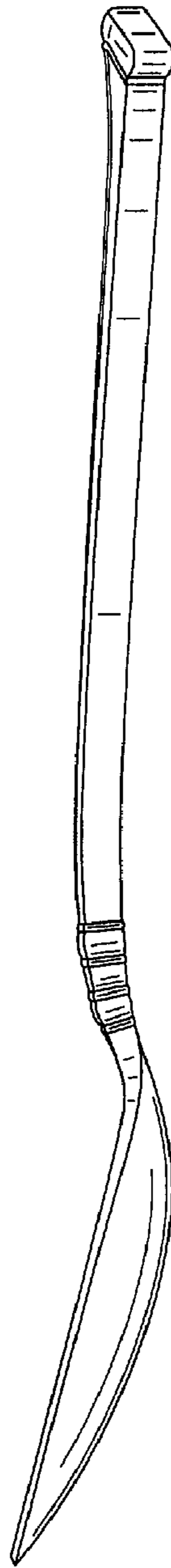


FIG.2

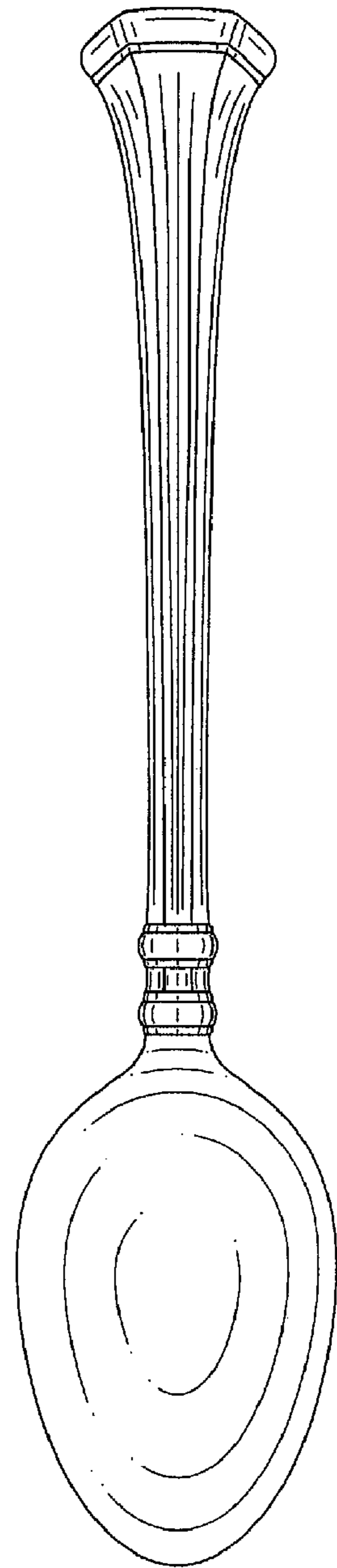


FIG.3



FIG.4



FIG.5