



US00D605470S

(12) **United States Design Patent**
Sluiman

(10) **Patent No.:** **US D605,470 S**

(45) **Date of Patent:** **** Dec. 8, 2009**

(54) **OYSTER PLATTER**

(76) Inventor: **Hans Sluiman**, 1e Jacob van
Campenstraat 22-2, 1072 BE Amsterdam
(NL)

(**) Term: **14 Years**

(21) Appl. No.: **29/284,999**

(22) Filed: **Sep. 19, 2007**

(30) **Foreign Application Priority Data**

Mar. 21, 2007 (EM) 000692645-0001

(51) **LOC (9) Cl.** **07-01**

(52) **U.S. Cl.** **D7/553.6; D7/557**

(58) **Field of Classification Search** D7/360,
D7/392.1, 538, 542, 545, 546, 555, 560, 601,
D7/602, 543, 548, 552.1-554.4, 584, 586-588,
D7/394, 585, 565, 571; D9/430, 431, 433,
D9/702, 703, 655-657; 220/608, 574; 211/74;
229/106

See application file for complete search history.

(56) **References Cited**

U.S. PATENT DOCUMENTS

D11,009 S * 2/1879 Smith D7/556

2,034,478 A * 3/1936 Levy 62/457.6
D210,231 S * 2/1968 Alverex D7/565
D459,950 S * 7/2002 Bush et al. D7/553.6
D483,228 S * 12/2003 Sherr D7/556
D546,127 S * 7/2007 Vovan D7/552.2

* cited by examiner

Primary Examiner—Charles A Rademaker

Assistant Examiner—Charles D Hanson

(74) *Attorney, Agent, or Firm*—Collen IP; Donald J. Ranft

(57) **CLAIM**

The ornamental design for an oyster platter, as shown and described.

DESCRIPTION

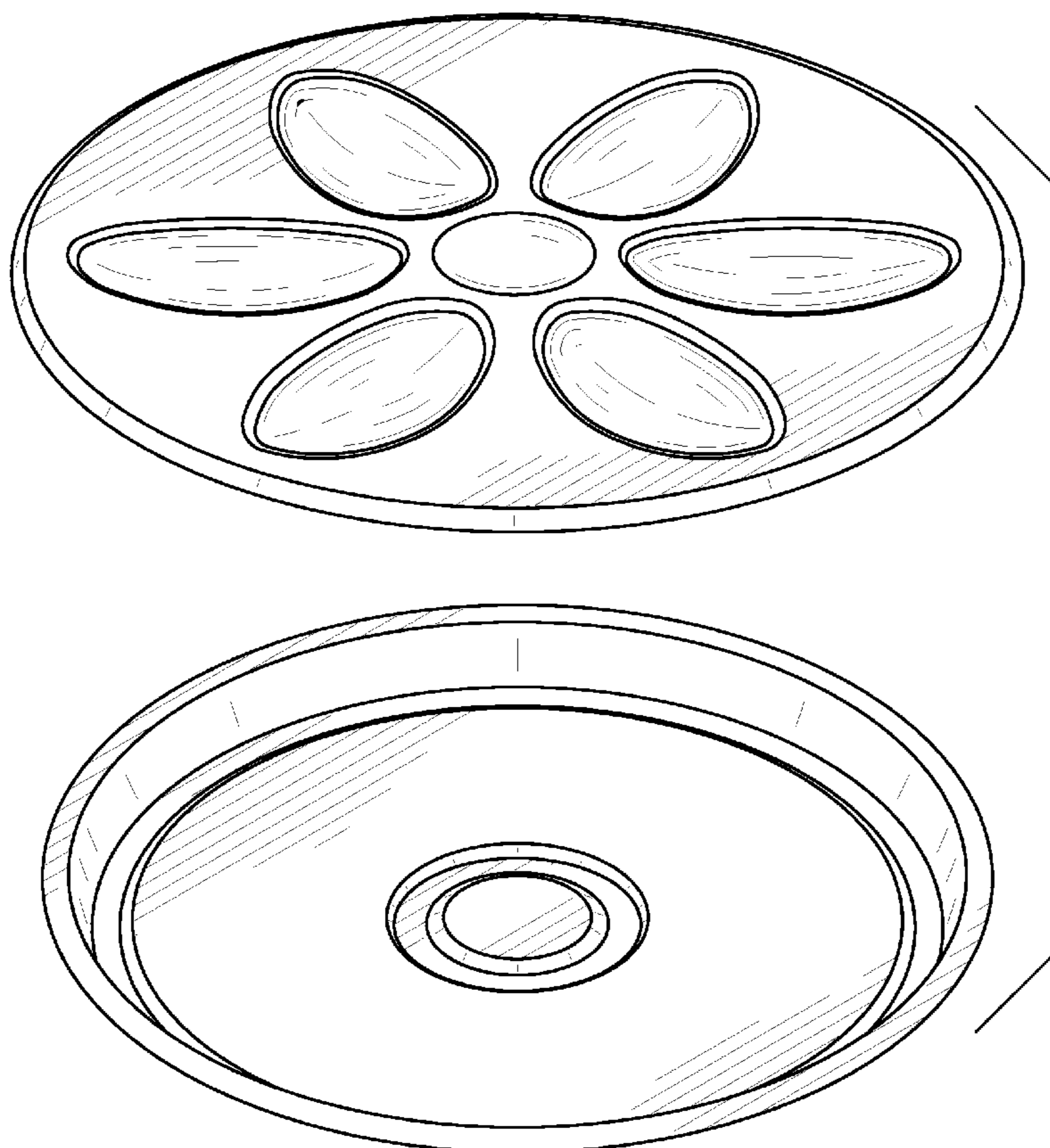
FIG. 1 is a perspective view of an oyster platter showing my new design with the top and base members in a separated condition;

FIG. 2 is a perspective view thereof showing the top and base members attached;

FIG. 3 is a bottom perspective view thereof; and,

FIG. 4 is a side elevation with the top and base in a separated condition.

1 Claim, 3 Drawing Sheets



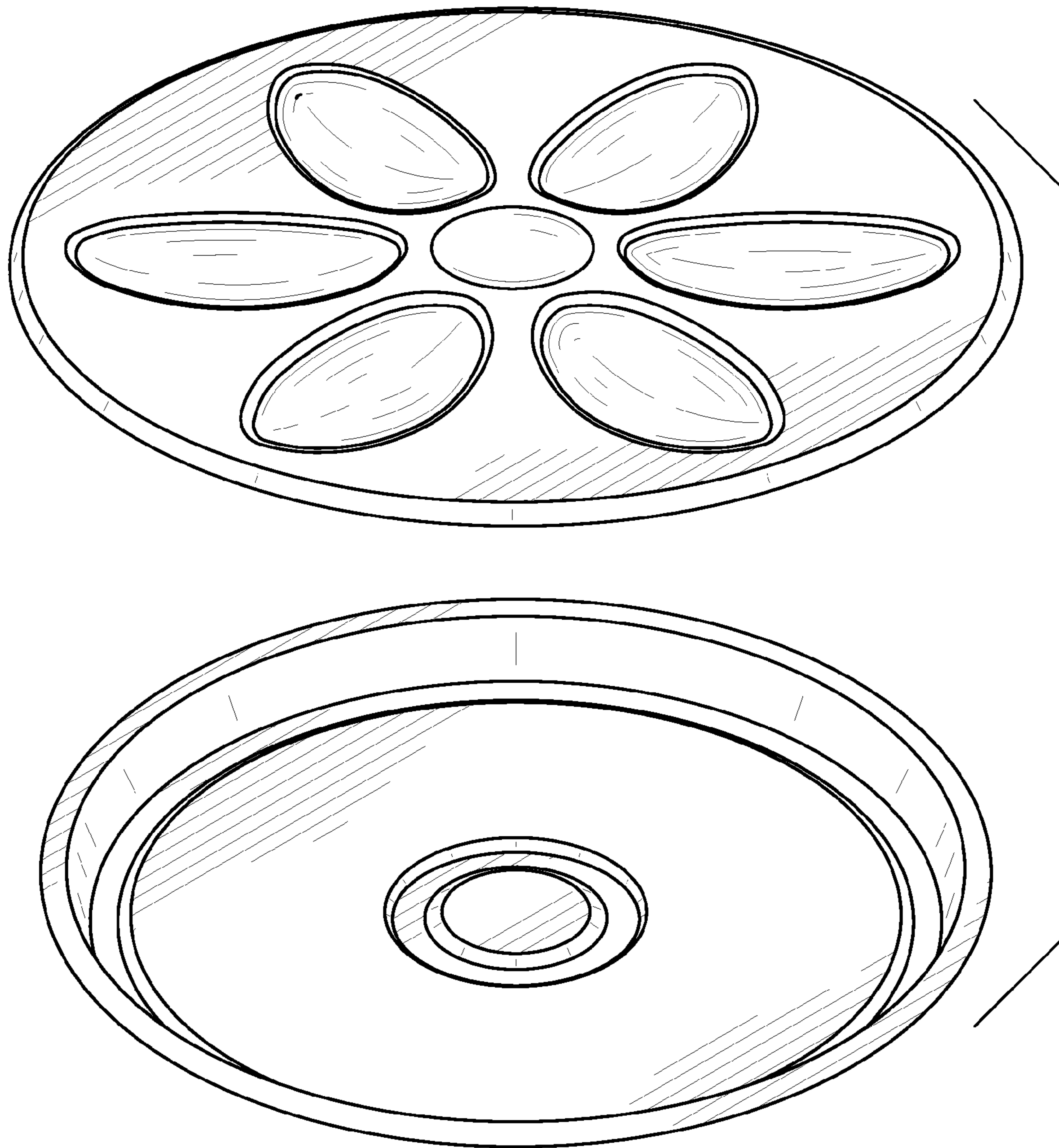


FIG. 1

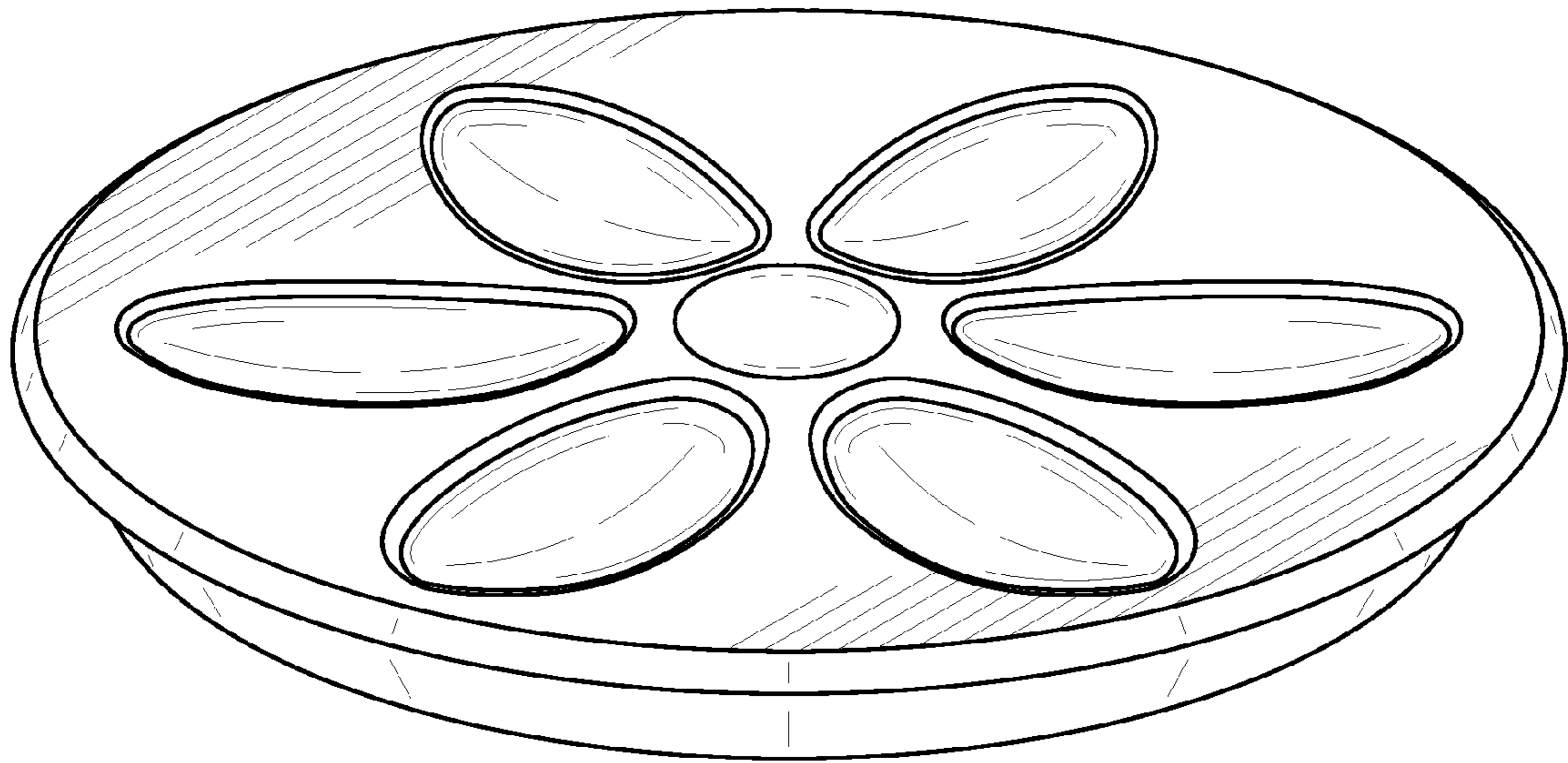


FIG. 2

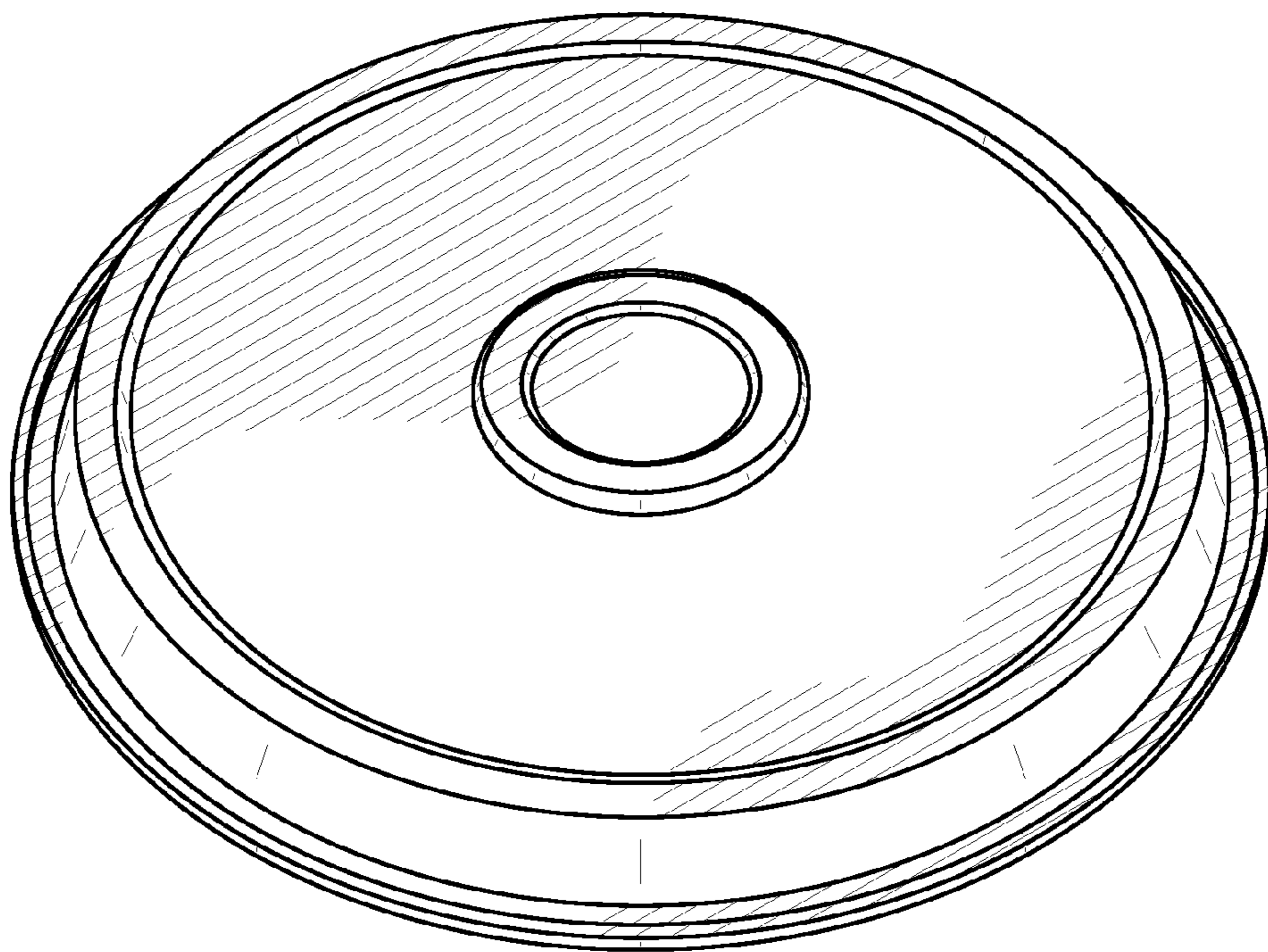


FIG. 3

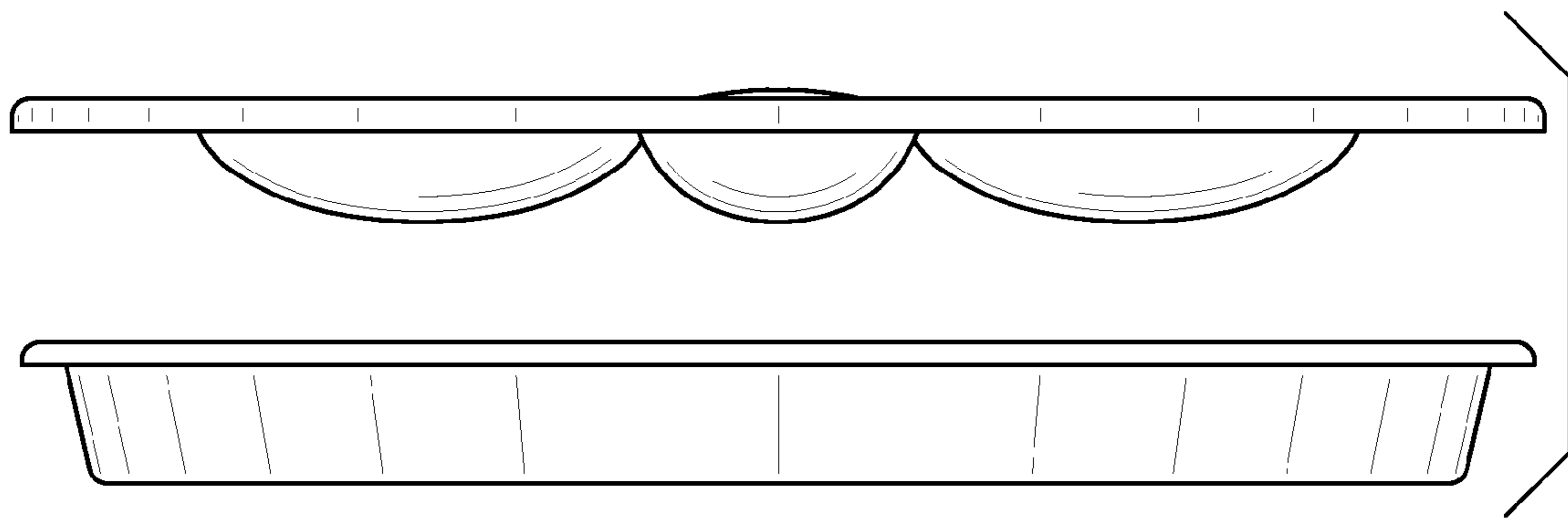


FIG. 4