



US00D605469S

(12) **United States Design Patent**  
**Wingfield et al.**

(10) **Patent No.:** **US D605,469 S**

(45) **Date of Patent:** **\*\* Dec. 8, 2009**

(54) **CONTAINER WITH LID HAVING AN EATING UTENSIL**

(75) Inventors: **Toby Wingfield**, Mansfield, TX (US);  
**Sarah Brown**, Liberty Township, OH (US)

(73) Assignee: **Fresh Express, Inc.**, Salinas, CA (US)

(\*\*) Term: **14 Years**

(21) Appl. No.: **29/327,052**

(22) Filed: **Oct. 29, 2008**

(51) **LOC (9) Cl.** ..... **07-01**

(52) **U.S. Cl.** ..... **D7/538; D7/505**

(58) **Field of Classification Search** ..... D7/505,  
D7/553.7, 552.2, 553.8, 528, 555, 551.1,  
D7/566, 541, 585, 571, 316, 356, 409, 667,  
D7/500, 538, 543, 549, 554.3, 553.5, 553.3,  
D7/553.2, 553.1, 550, 558, 614, 703, 629,  
D7/357, 550.1, 523; 229/406, 904, 5.83,  
229/558, 557; 220/23.86, 23.4, 359.4, 556,  
220/575, 23.8, 500, 4.24, 526, 523, 645,  
220/553, 377, 281; 206/583, 532, 562, 538,  
206/575, 574, 23.86, 563, 564, 217, 815;  
D9/741, 739, 737, 759, 761, 424-426, 666;  
D3/315; D28/61; 211/74; 294/172; 108/25;  
99/341

See application file for complete search history.

(56) **References Cited**

**U.S. PATENT DOCUMENTS**

700,653	A *	5/1902	Jobson	.....	215/227
786,522	A *	4/1905	Ford	.....	173/24
1,607,865	A *	11/1926	Butler	.....	206/542
1,734,477	A *	11/1929	Fowle	.....	229/401
2,840,292	A *	6/1958	Stoddard	.....	229/401
3,955,742	A *	5/1976	Marshall et al.	.....	220/574
4,036,398	A *	7/1977	Hoogvelt et al.	.....	220/270
4,794,008	A *	12/1988	Schmidt et al.	.....	426/234
5,251,774	A *	10/1993	Engle	.....	220/212
5,385,255	A *	1/1995	Varano et al.	.....	229/404

5,695,084	A *	12/1997	Chmela et al.	.....	220/212
6,003,710	A *	12/1999	Huang	.....	220/212
6,371,324	B1 *	4/2002	Torniainen et al.	.....	220/212
D528,432	S *	9/2006	Snedden et al.	.....	D9/716
D547,124	S *	7/2007	Peretz	.....	D7/538

\* cited by examiner

*Primary Examiner*—Robert M Spear

*Assistant Examiner*—Cynthia Underwood

(74) *Attorney, Agent, or Firm*—Townsend and Townsend and Crew LLP

(57) **CLAIM**

The ornamental design for container with lid having an eating utensil, as shown and described.

**DESCRIPTION**

FIG. 1 is a perspective view of a container with lid having an eating utensil showing our new design;

FIG. 2 is a left side elevational view thereof;

FIG. 3 is a right side elevational view thereof;

FIG. 4 is a front elevational view thereof;

FIG. 5 is a rear elevational view thereof;

FIG. 6 is a top plan view thereof;

FIG. 7 is a bottom plan view thereof;

FIG. 8 is a perspective view thereof shown with the lid in a removed position;

FIG. 9 is a side elevational view of the lid with the utensil in a removed position;

FIG. 10 is a side elevational view of the lid with the utensil in a removed position;

FIG. 11 is a side elevational view of the lid with the utensil in a fully extended position;

FIG. 12 is a perspective view of a second embodiment of a container with lid having an eating utensil showing our new design;

FIG. 13 is a left side elevational view thereof;

FIG. 14 is a right side elevational view thereof;

FIG. 15 is a front elevational view thereof;

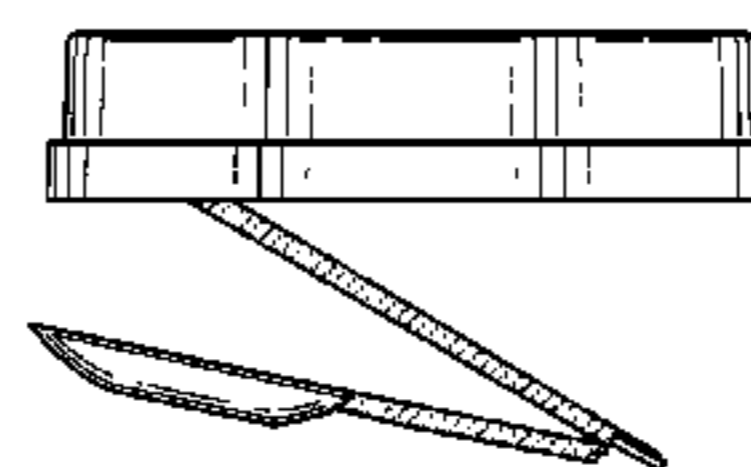
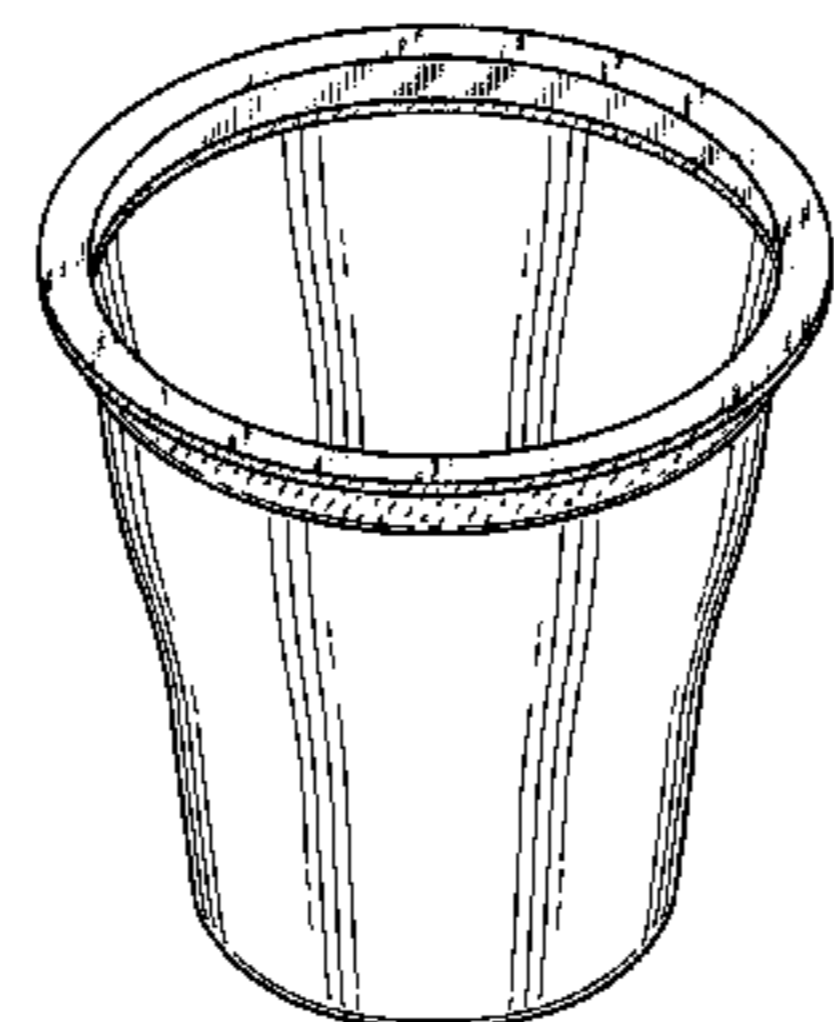
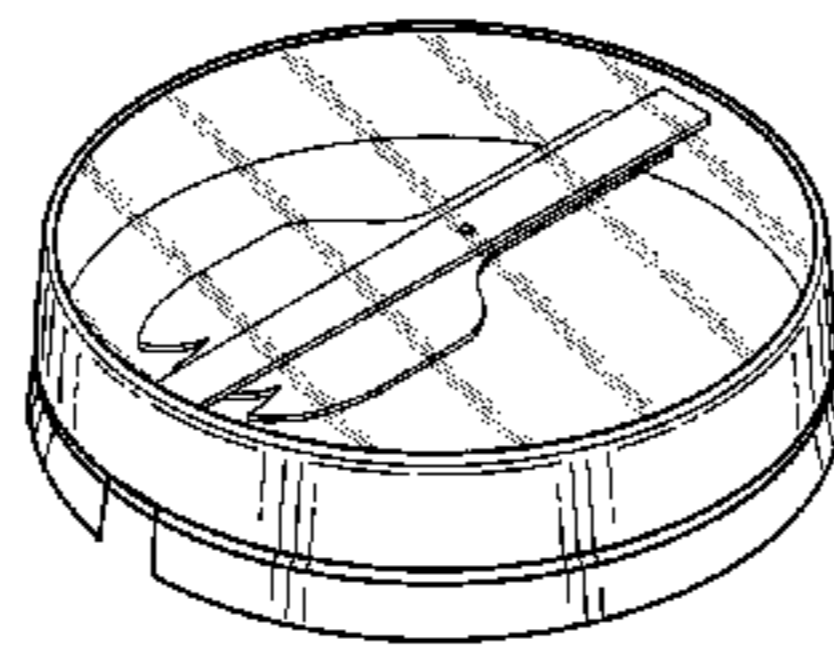


FIG. 16 is a rear elevational view thereof;  
FIG. 17 is a top plan view thereof;  
FIG. 18 is a bottom plan view thereof;  
FIG. 19 is a perspective view thereof shown with the lid in a removed position;  
FIG. 20 is a side elevational view of the lid with the utensil in a removed position;  
FIG. 21 is a side elevational view of the lid with the utensil in a fully extended position;  
FIG. 22 is a perspective view of a third embodiment of a container with lid having an eating utensil showing our new design;  
FIG. 23 is a left side elevational view thereof;  
FIG. 24 is a right side elevational view thereof;  
FIG. 25 is a front elevational view thereof;  
FIG. 26 is a rear elevational view thereof;  
FIG. 27 is a top plan view thereof;  
FIG. 28 is a bottom plan view thereof;  
FIG. 29 is a perspective view thereof shown with the lid in a removed position;  
FIG. 30 is a side elevational view of the lid with the utensil in a removed position;

FIG. 31 is a side elevational view of the lid with the utensil in a removed position;  
FIG. 32 is a side elevational view of the lid with the utensil in a fully extended position;  
FIG. 33 is a perspective view of a fourth embodiment of a container with lid having an eating utensil showing our new design;  
FIG. 34 is a left side elevational view thereof;  
FIG. 35 is a right side elevational view thereof;  
FIG. 36 is a front elevational view thereof;  
FIG. 37 is a rear elevational view thereof;  
FIG. 38 is a top plan view thereof;  
FIG. 39 is a bottom plan view thereof;  
FIG. 40 is a perspective view thereof shown with the lid in a removed position;  
FIG. 41 is a side elevational view of the lid with the utensil in a removed position; and,  
FIG. 42 is a side elevational view of the lid with the utensil in a fully extended position.

**1 Claim, 24 Drawing Sheets**

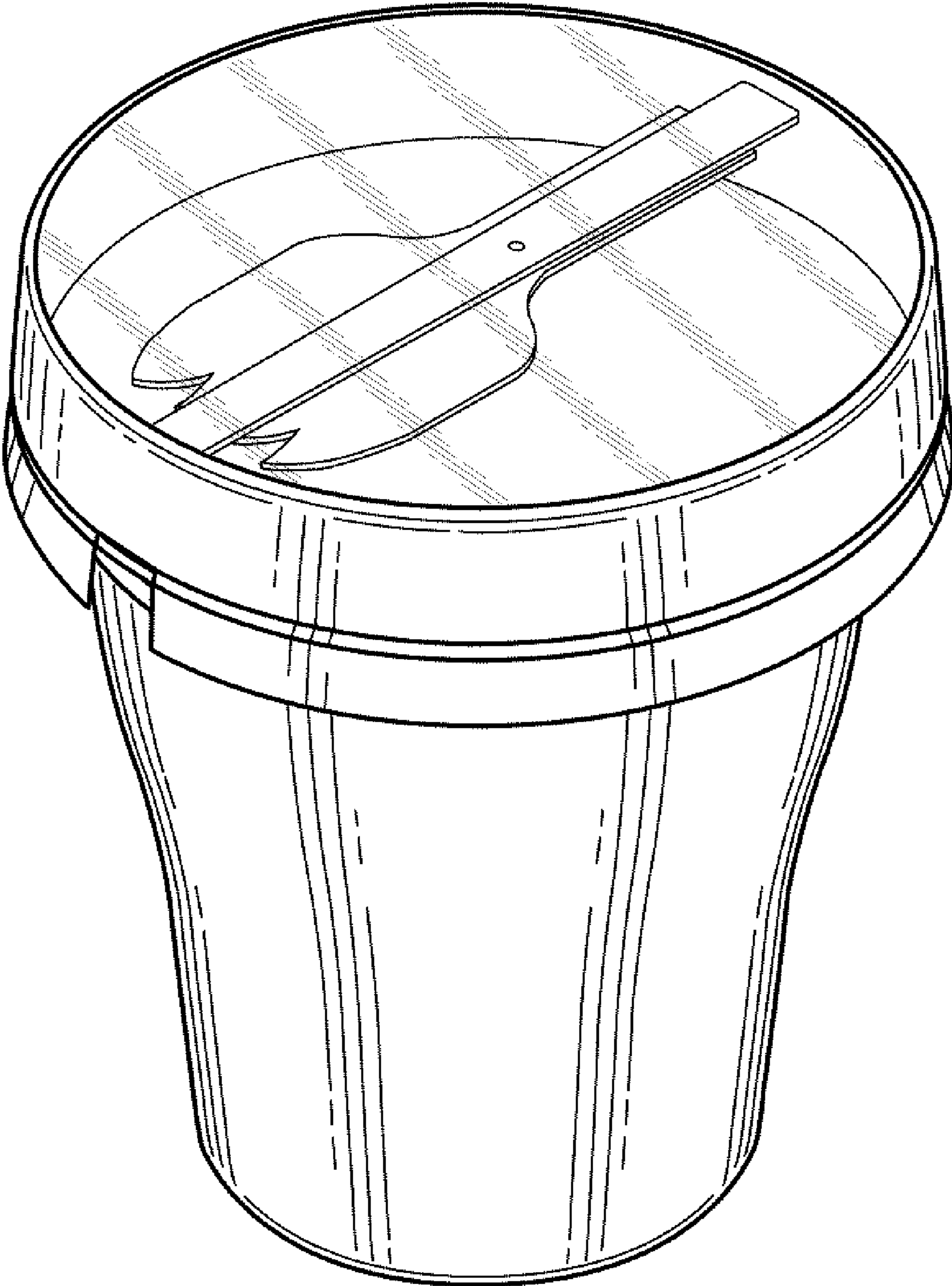


FIG. 1

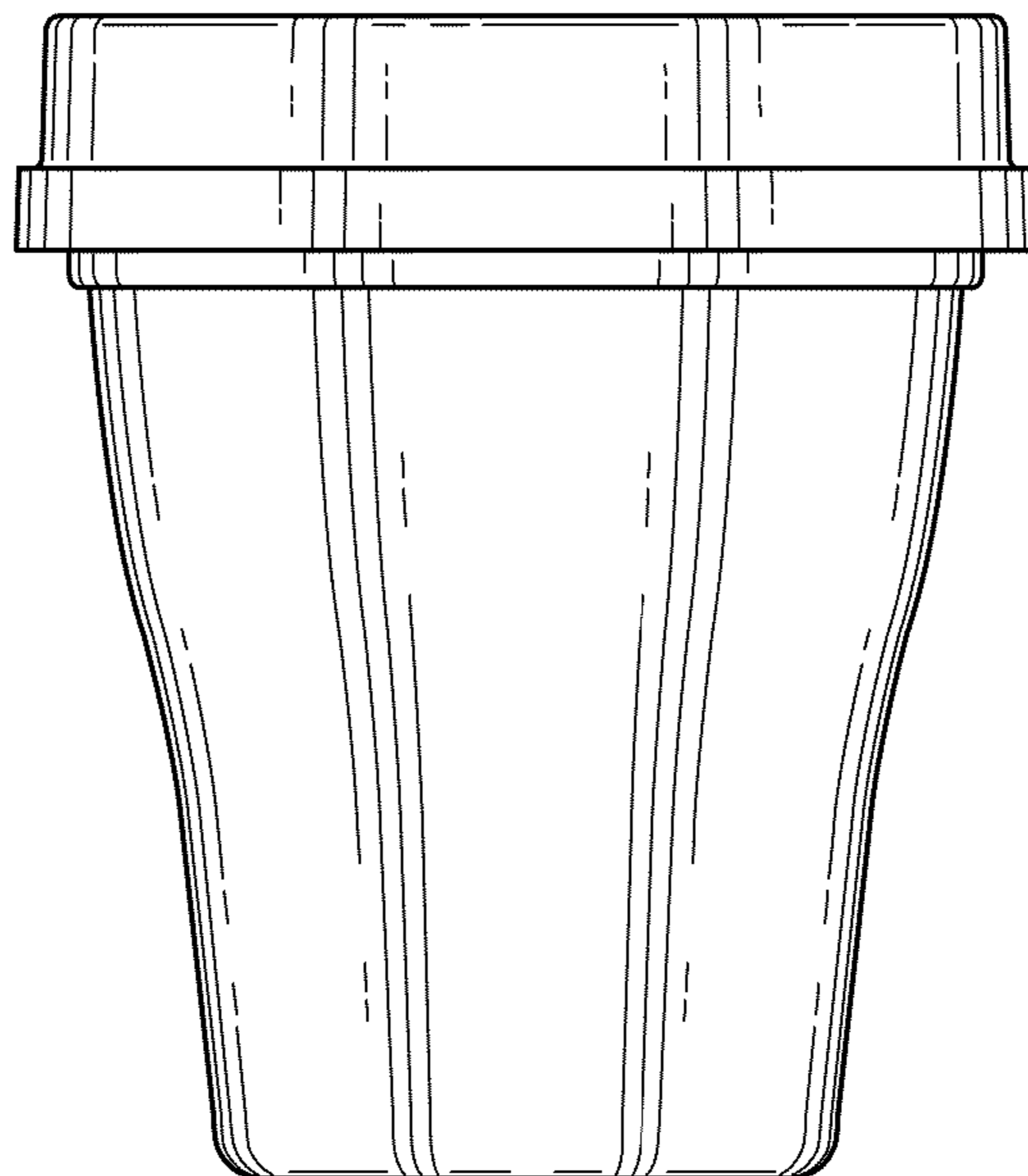


FIG. 2

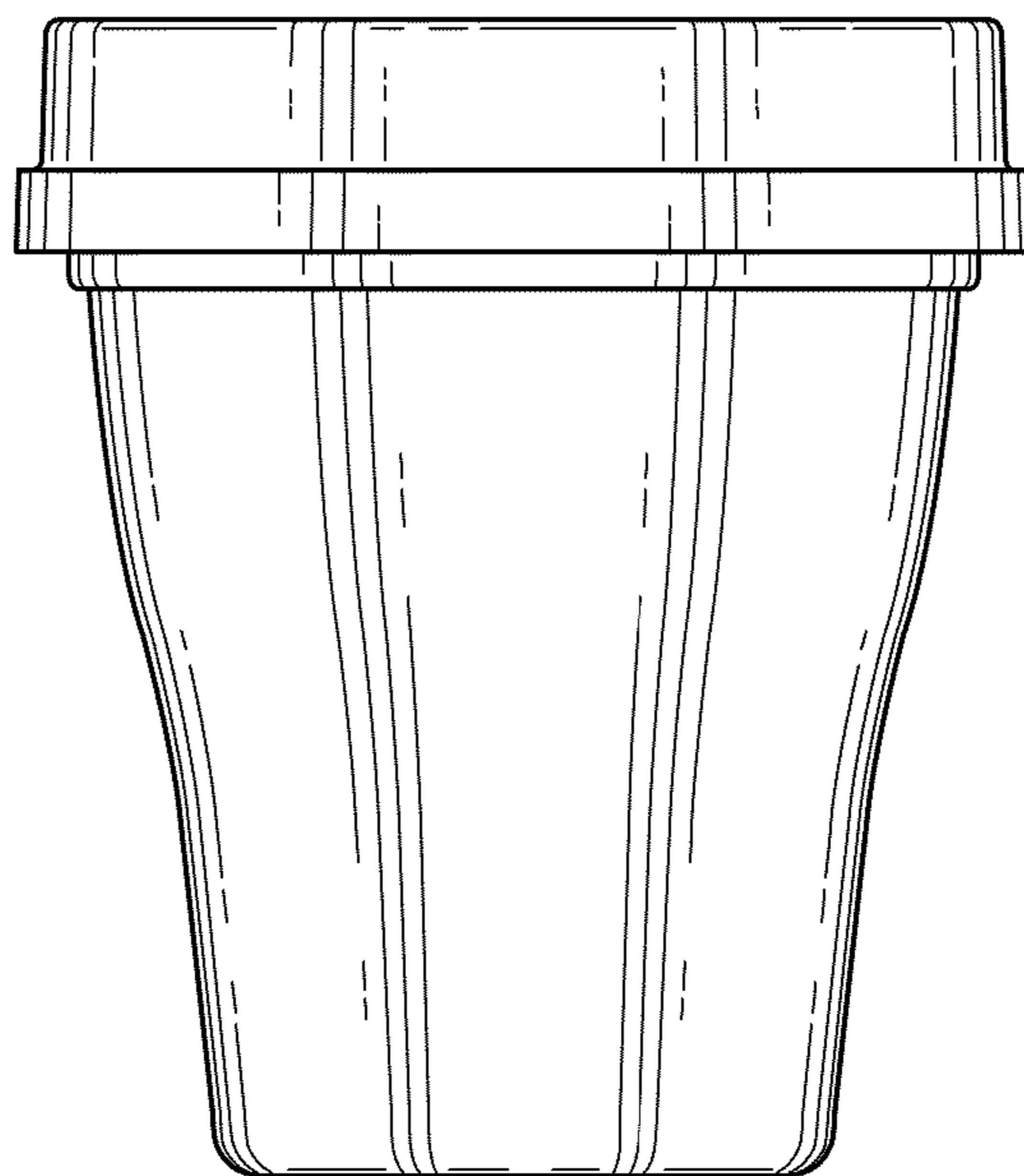


FIG. 3



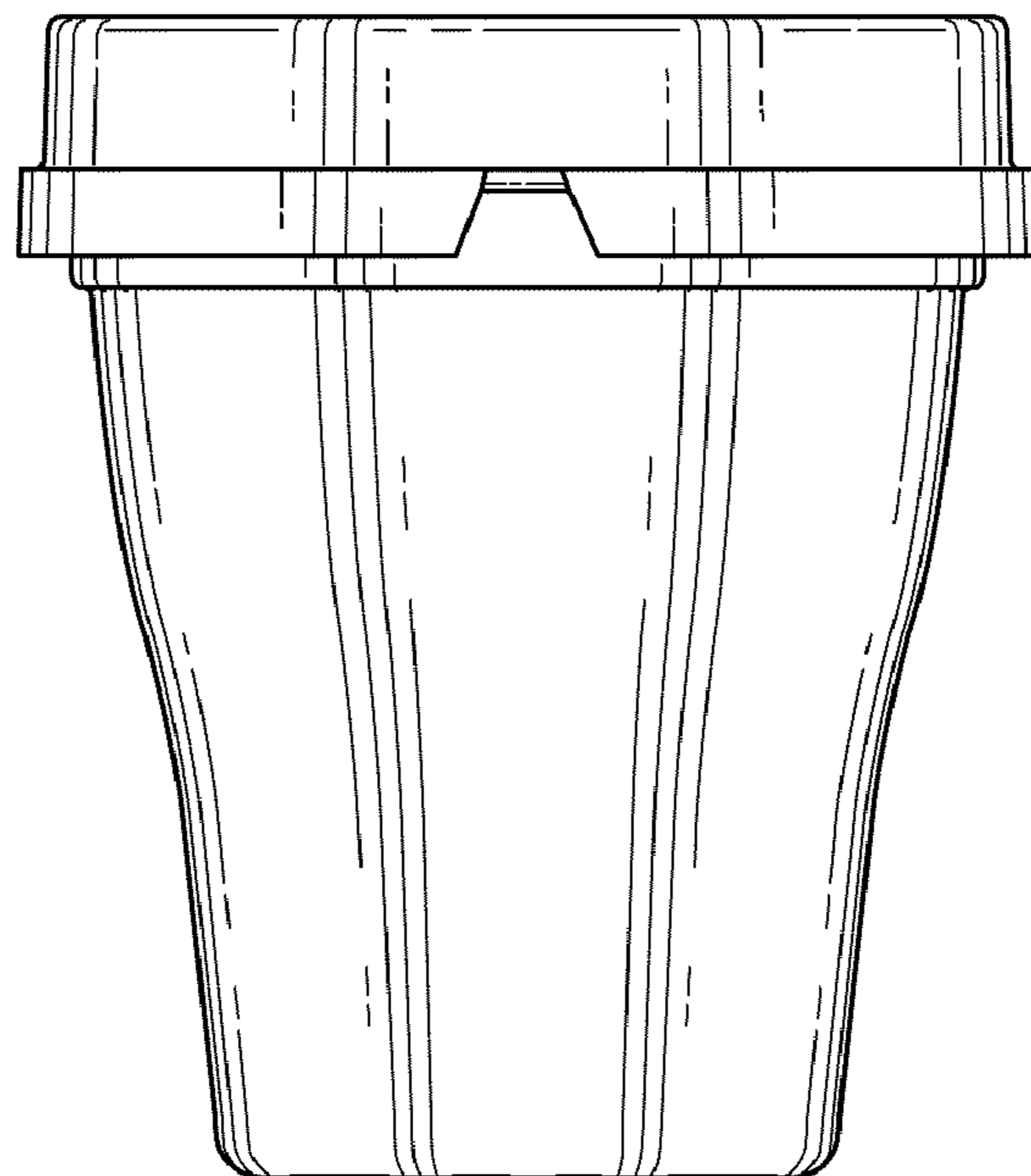


FIG. 4

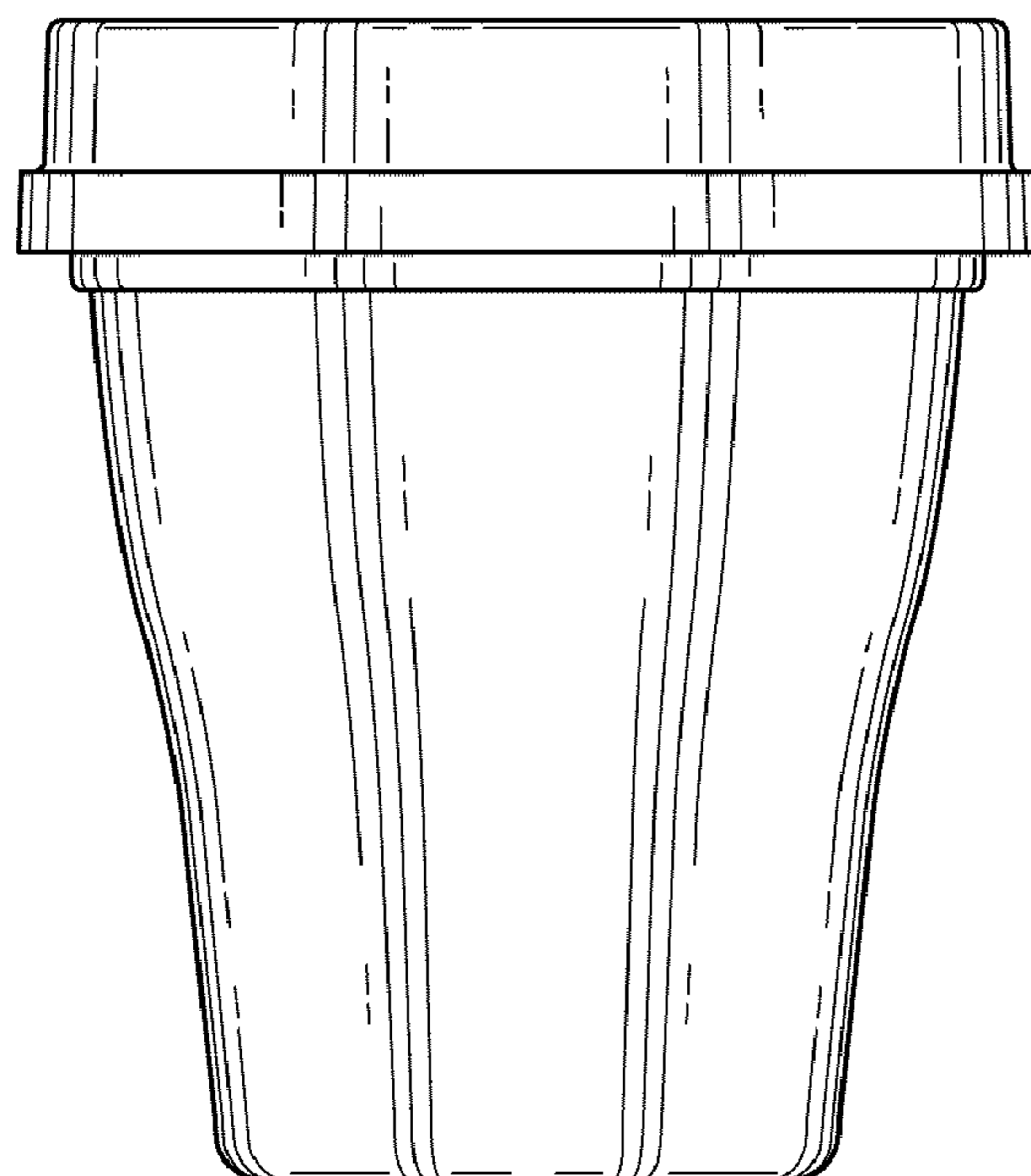


FIG. 5

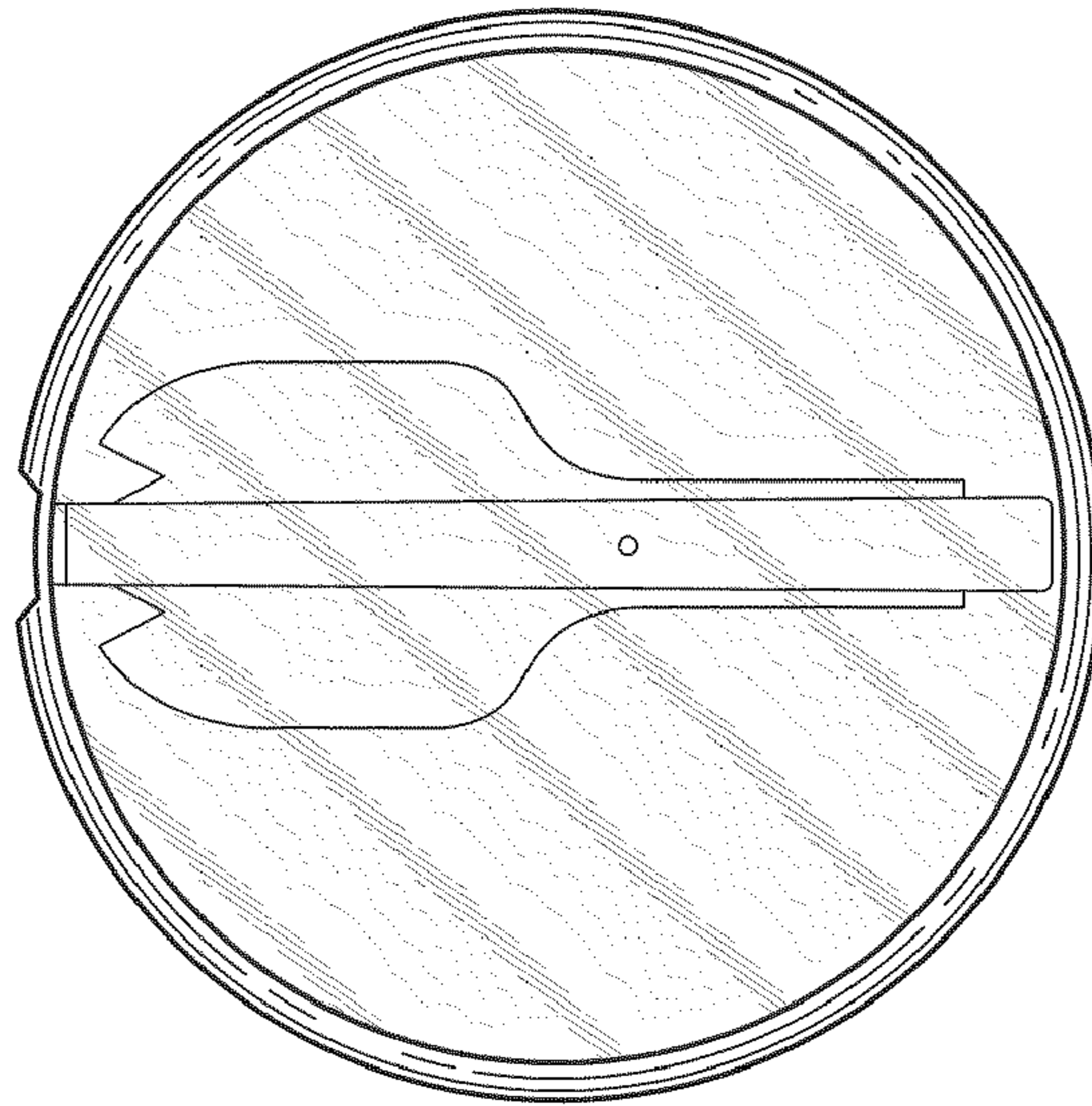


FIG. 6

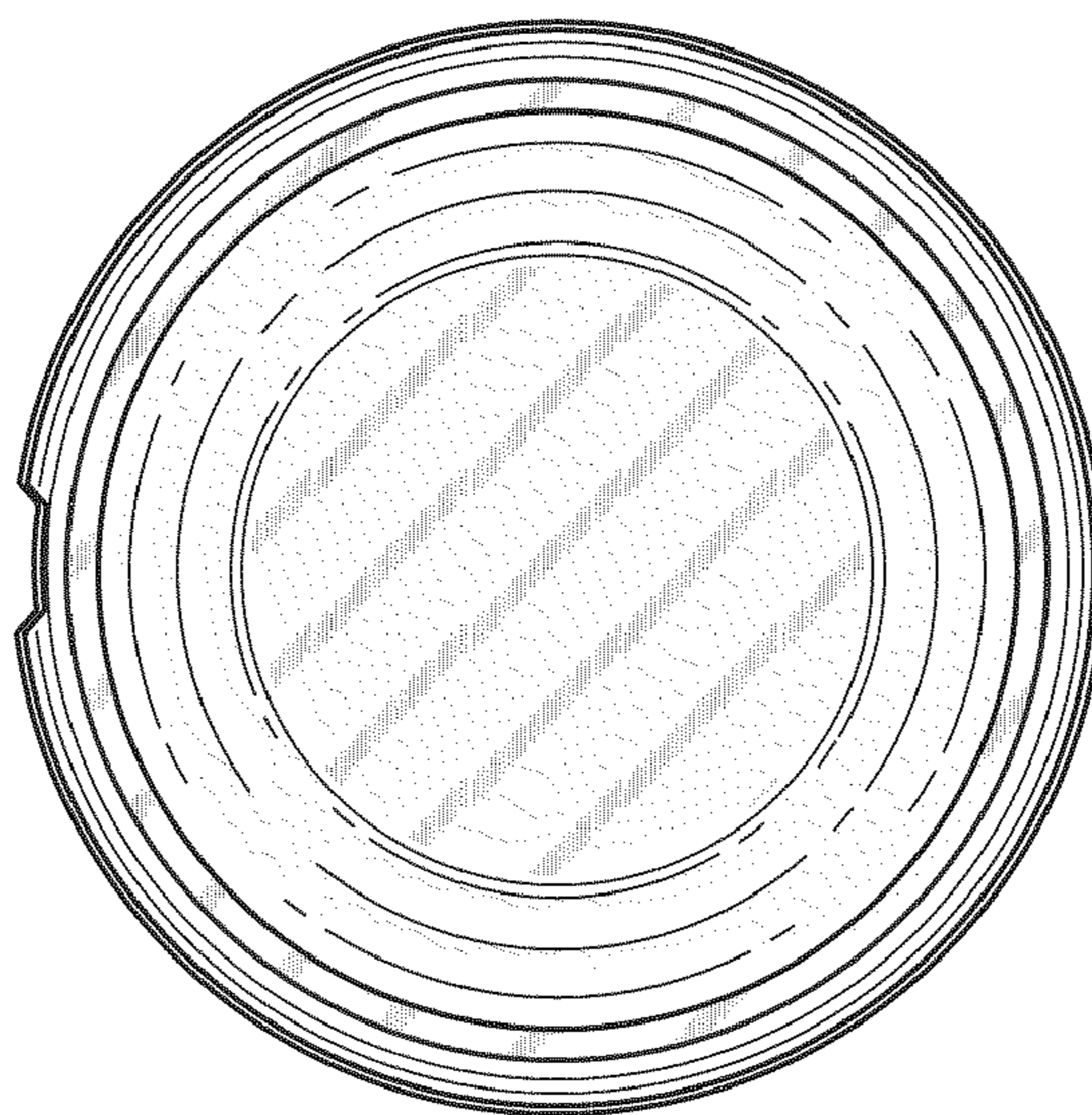
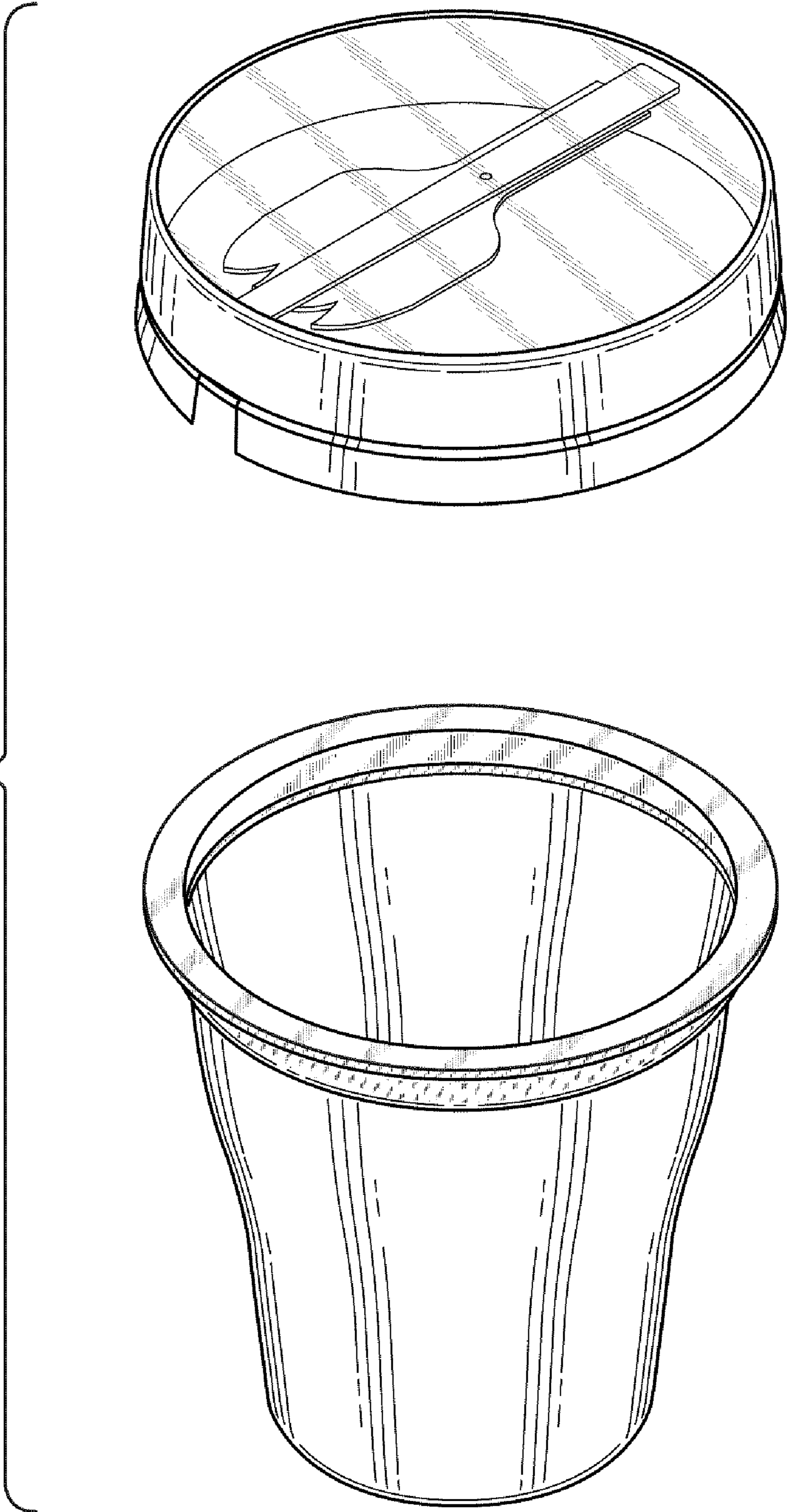


FIG. 7

FIG. 8



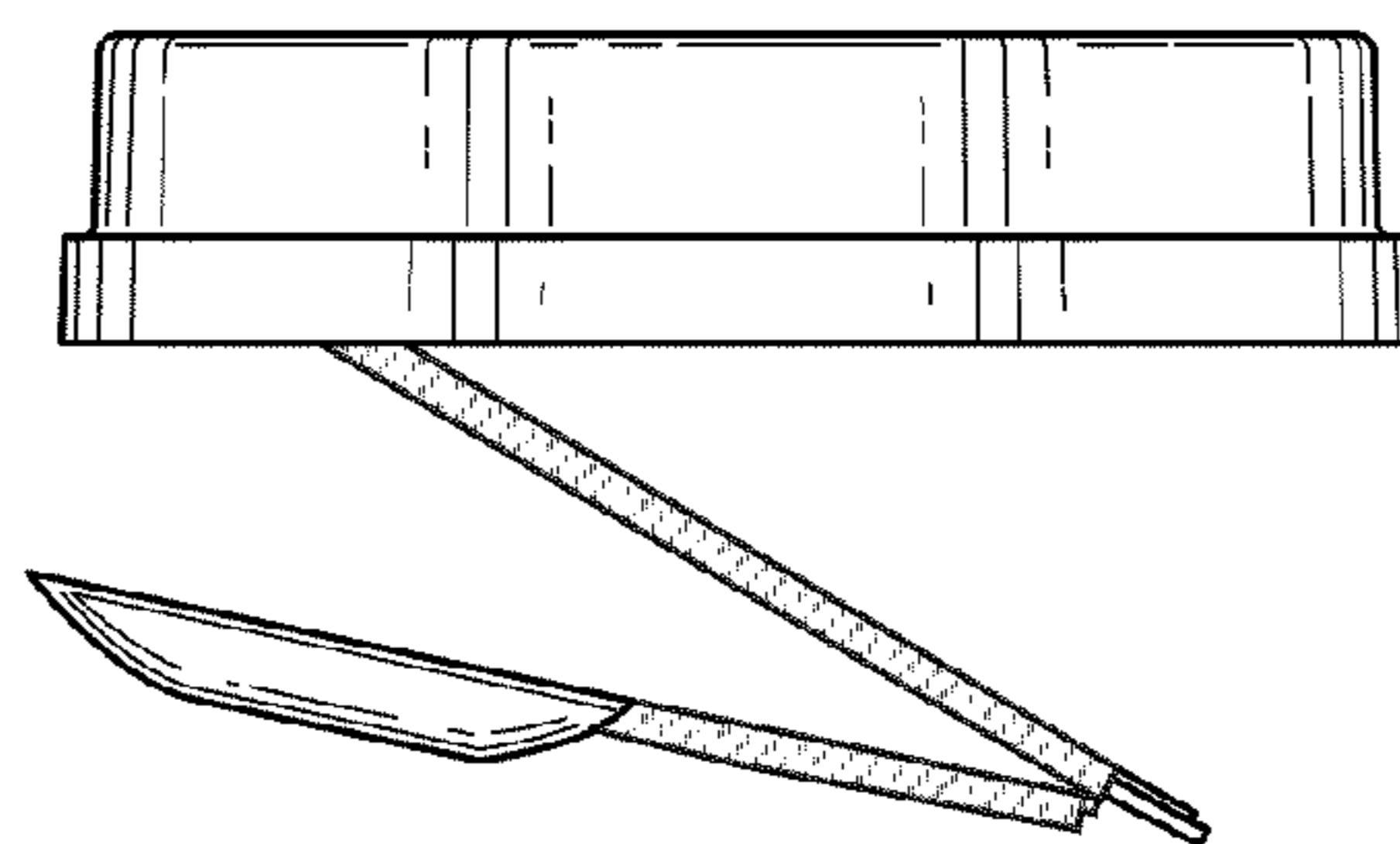


FIG. 9

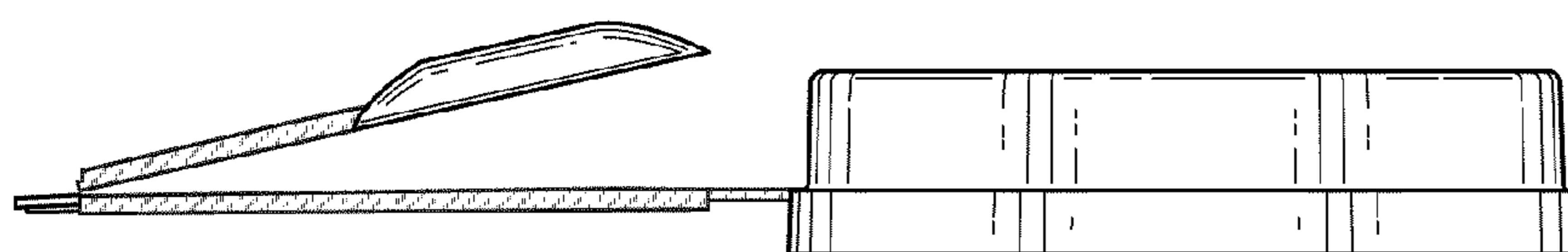


FIG. 10

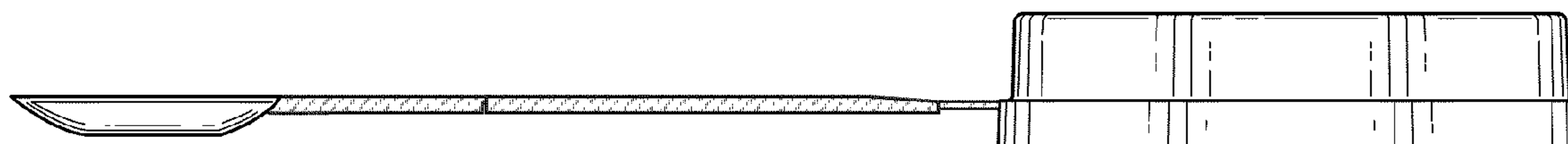


FIG. 11



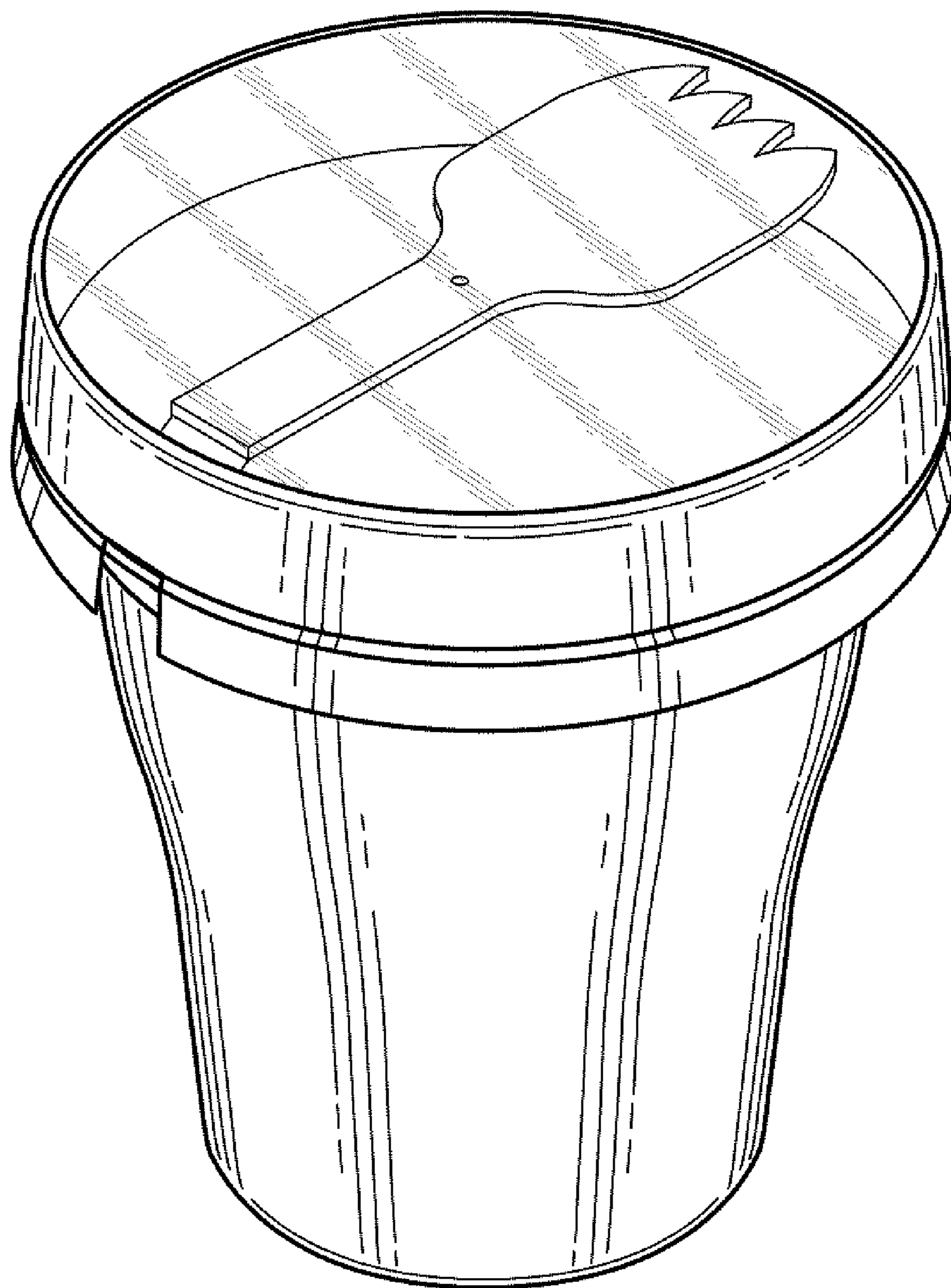


FIG. 12

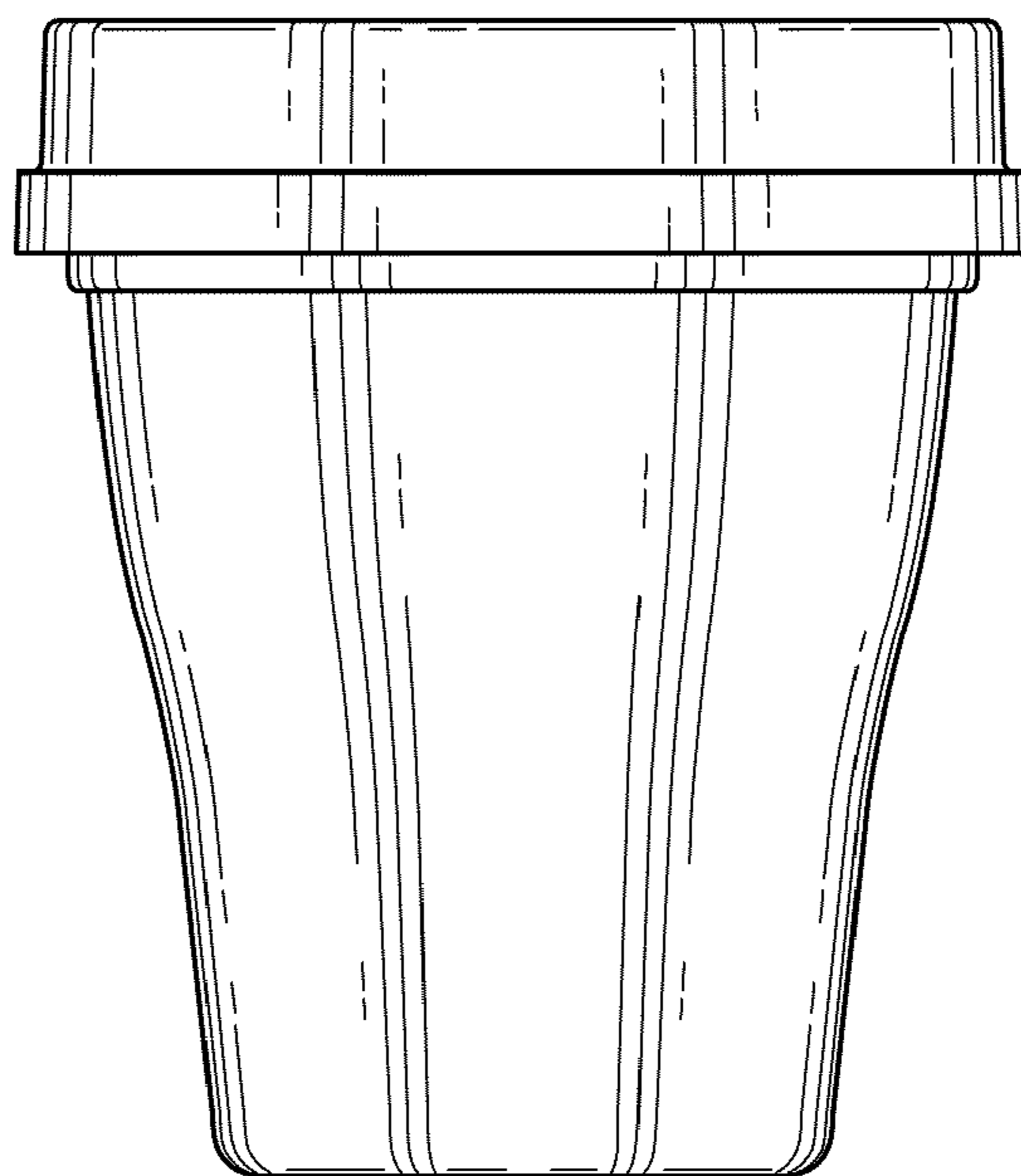


FIG. 13

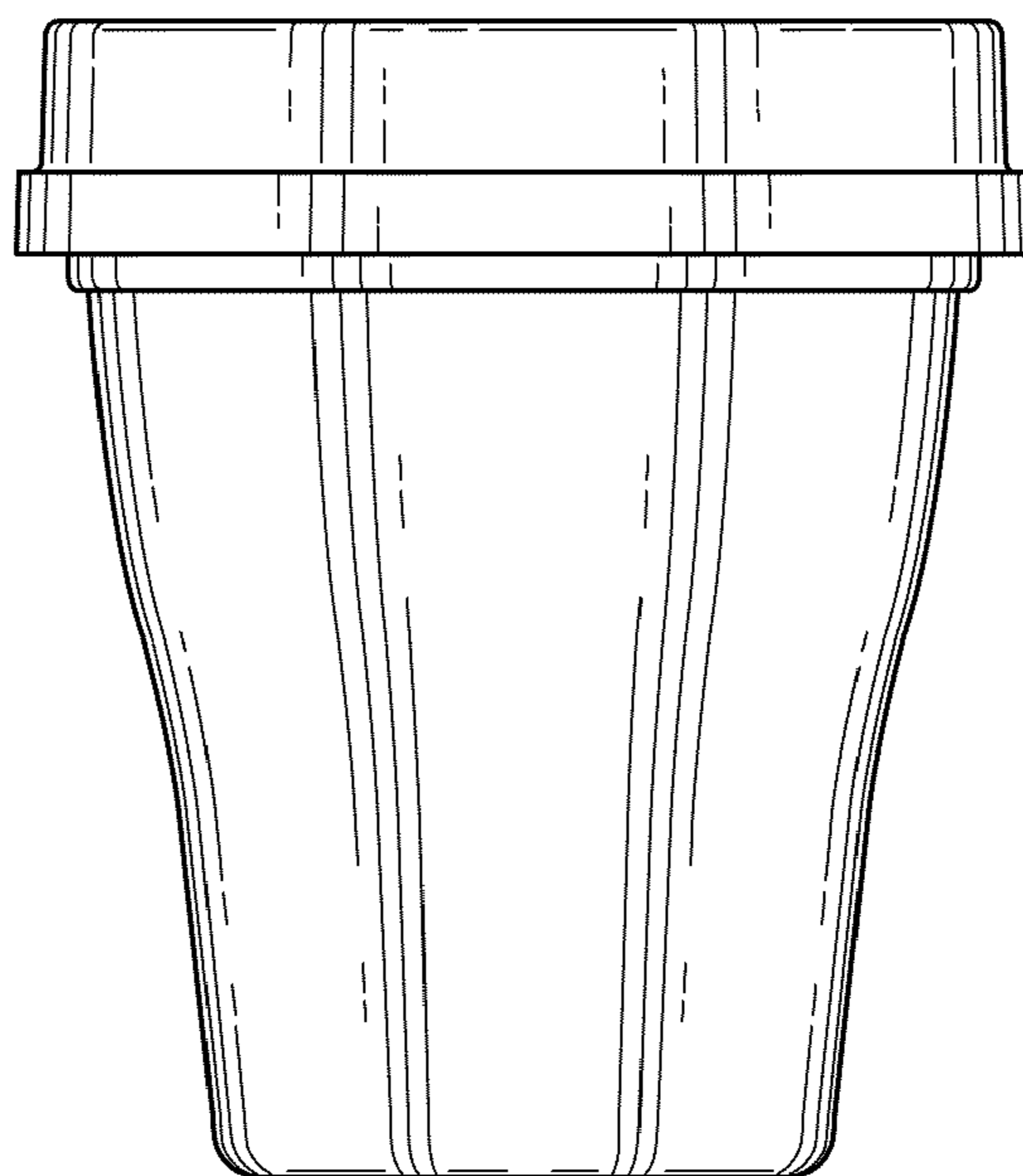


FIG. 14

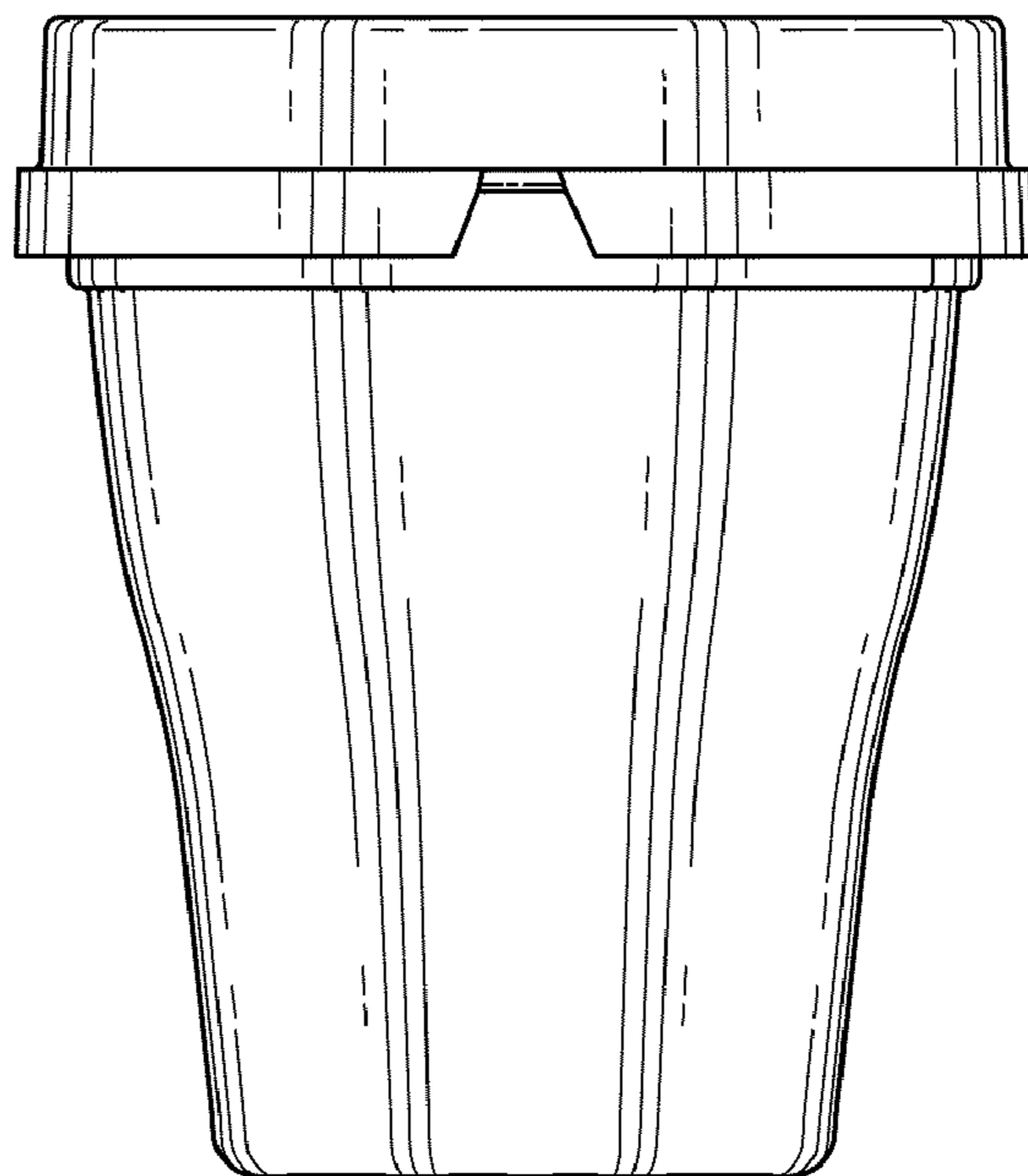


FIG. 15

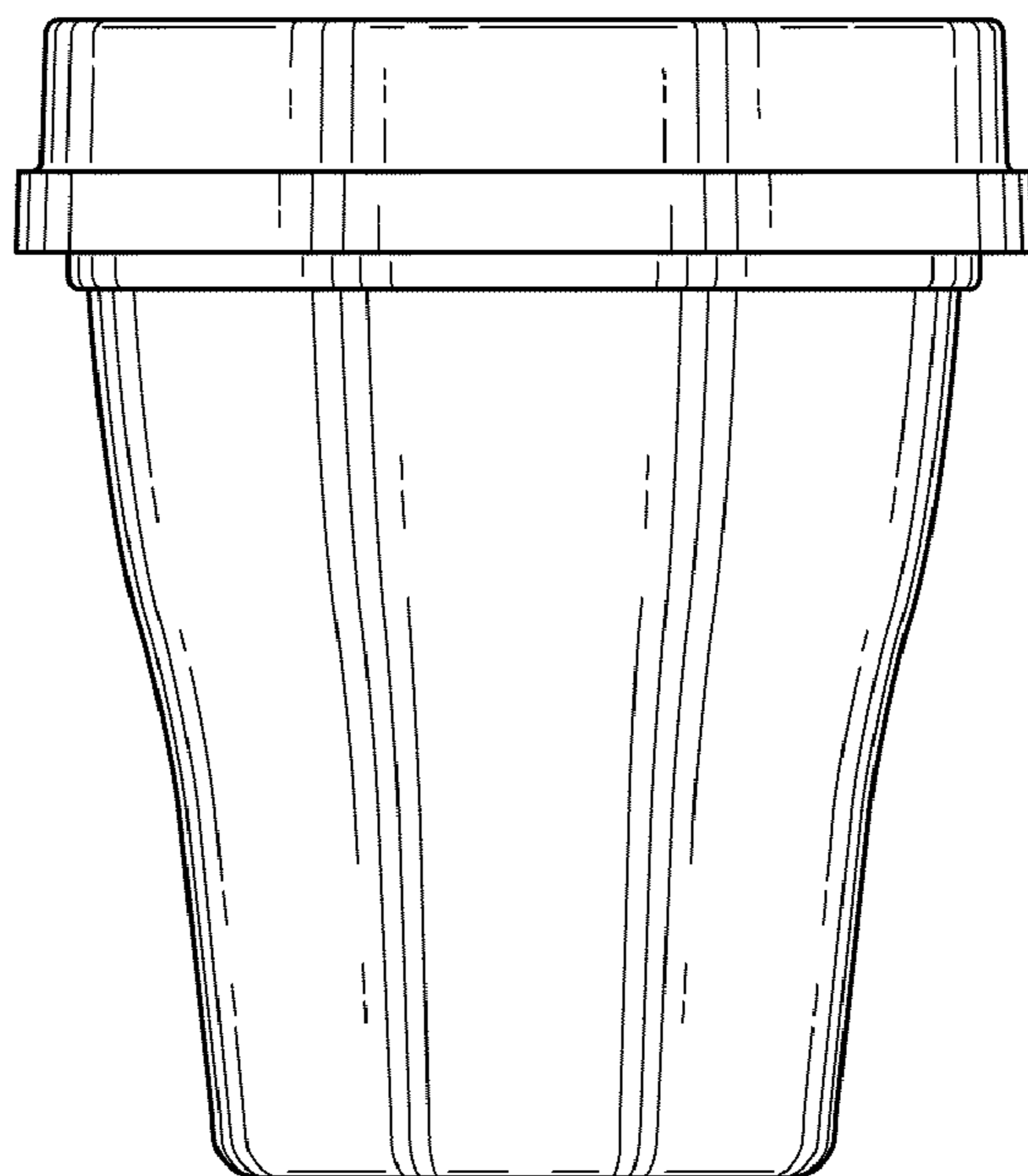


FIG. 16

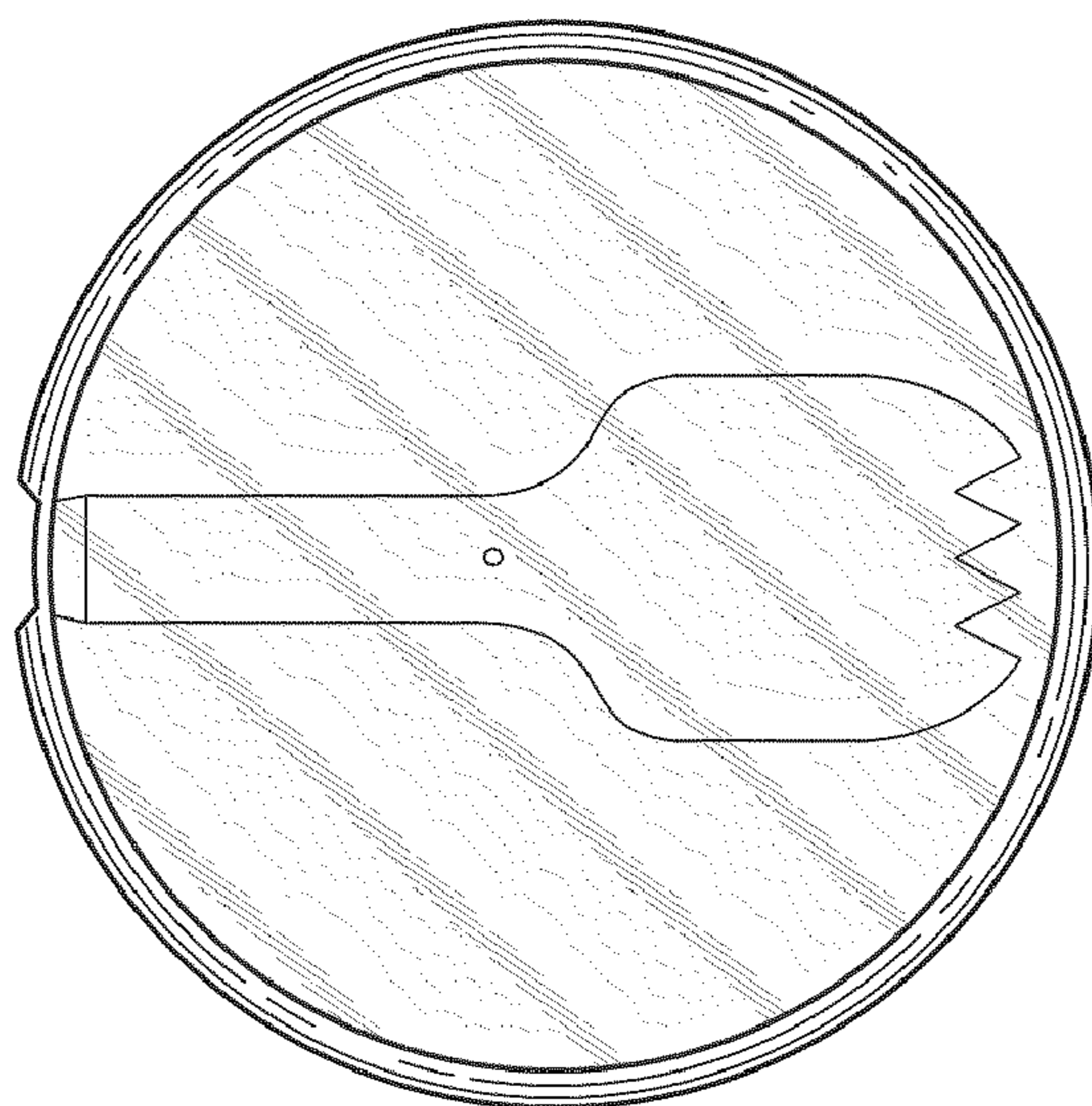


FIG. 17

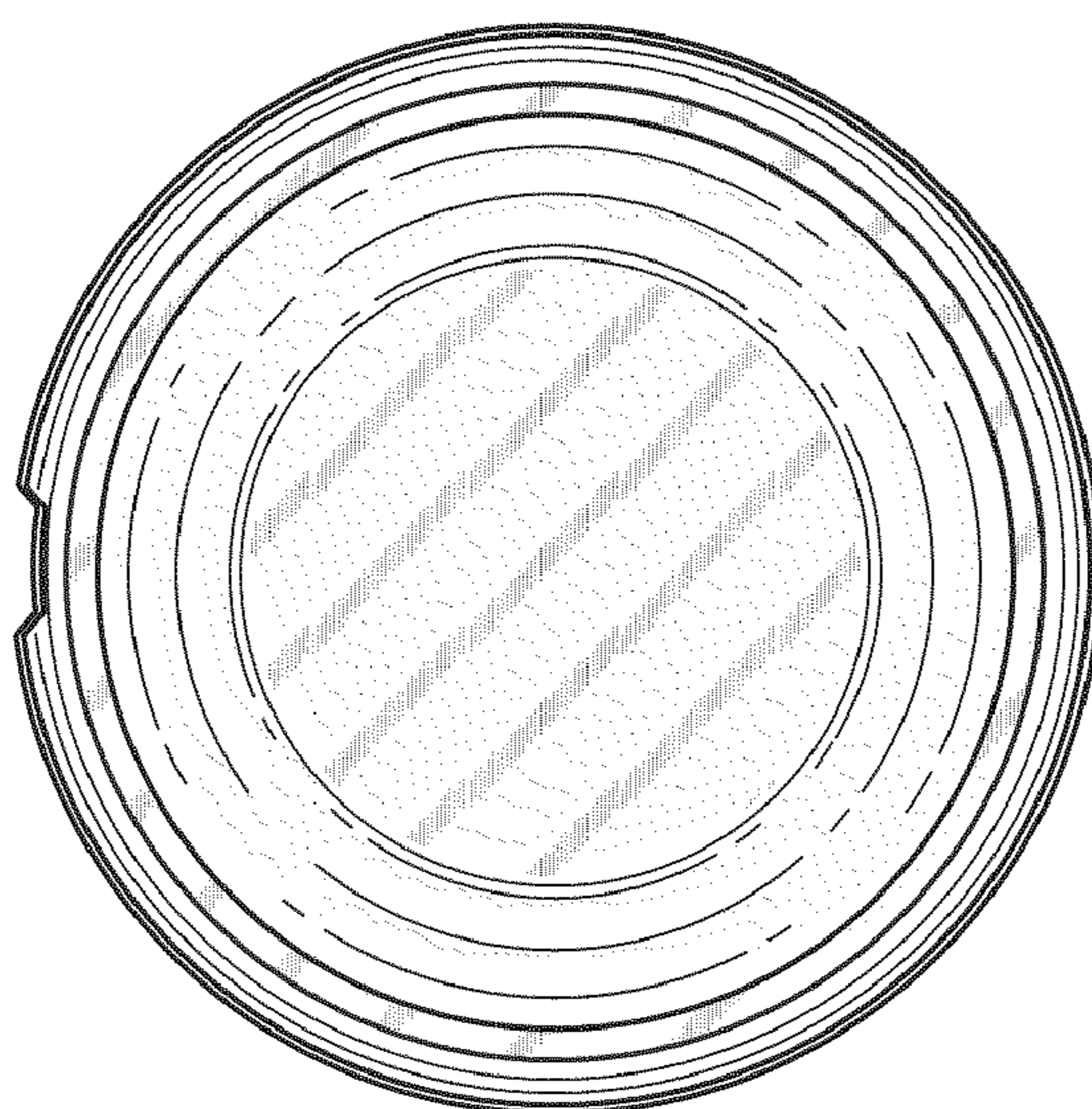
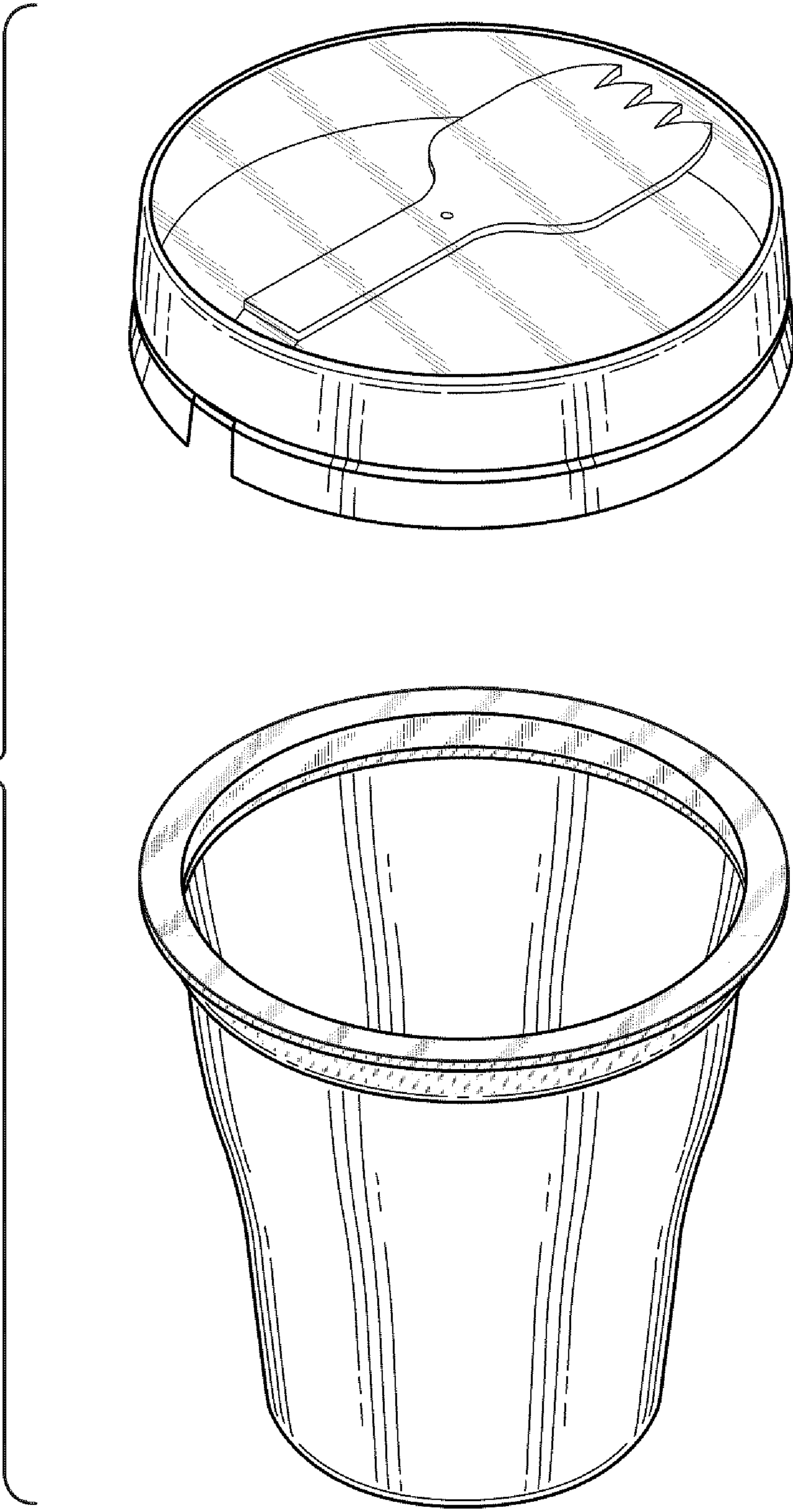


FIG. 18



FIG. 19



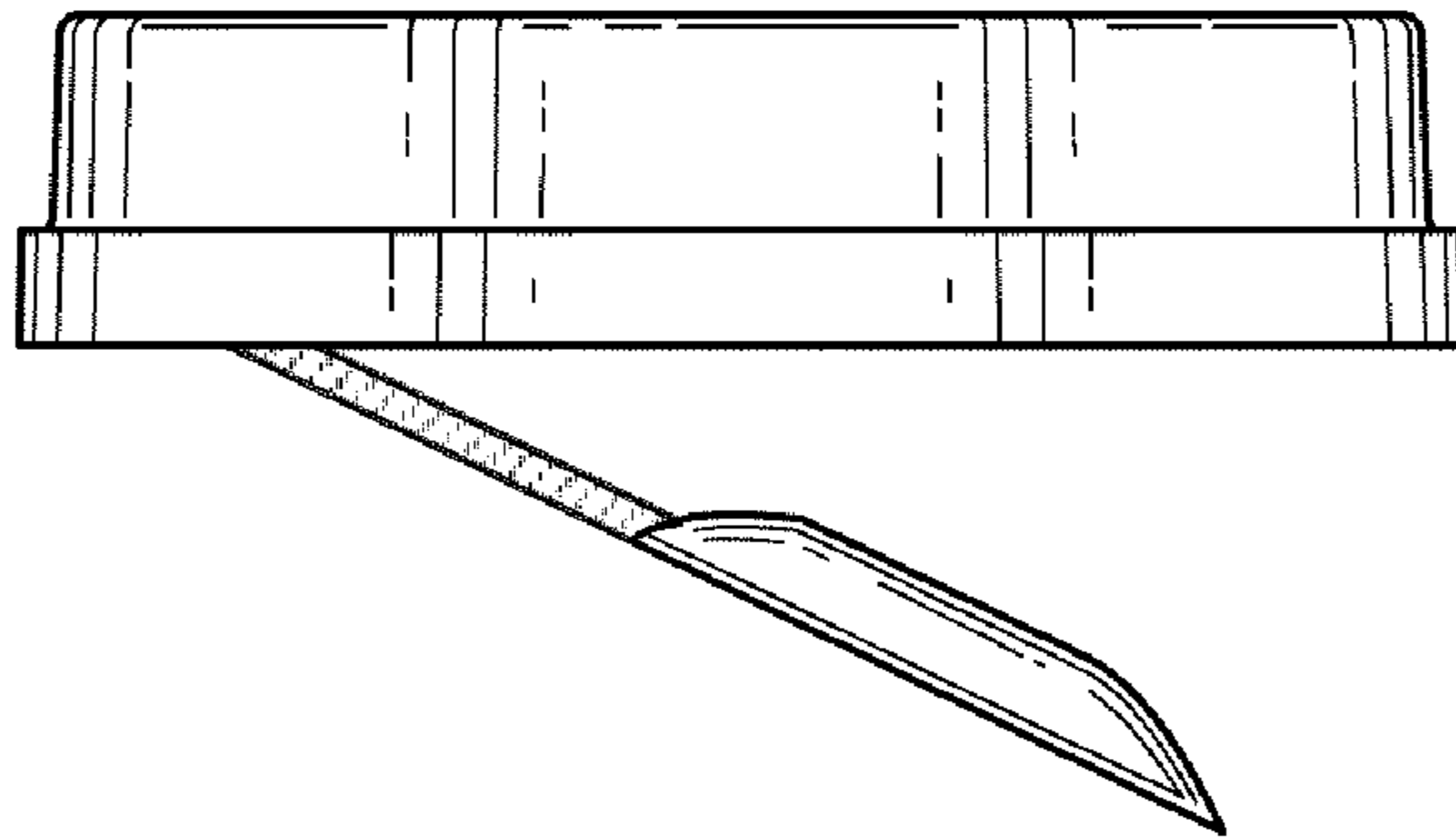


FIG. 20

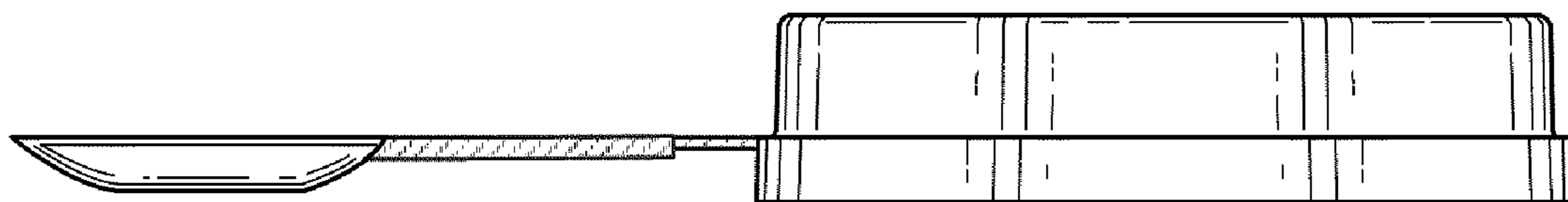


FIG. 21



FIG. 22

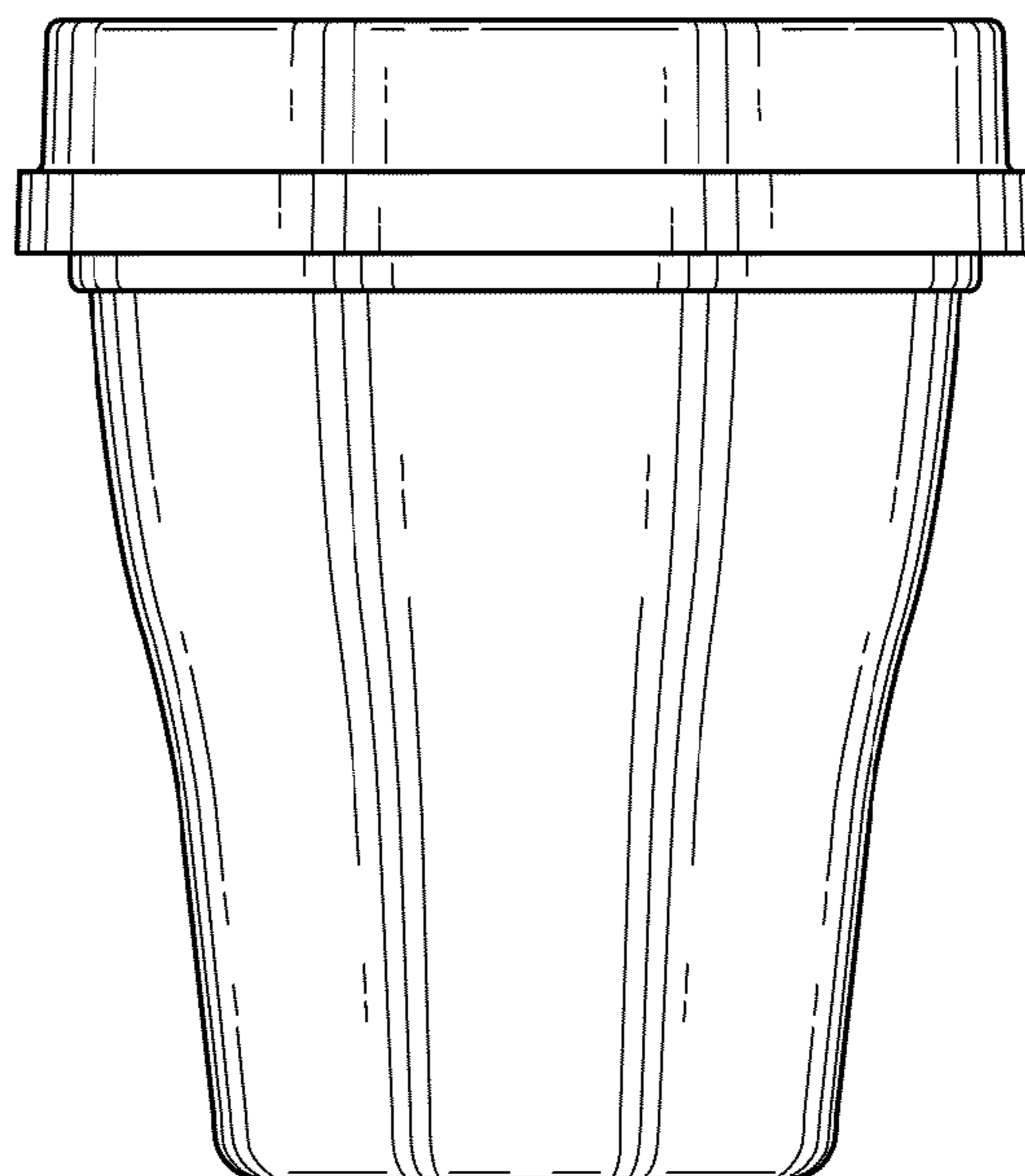


FIG. 23

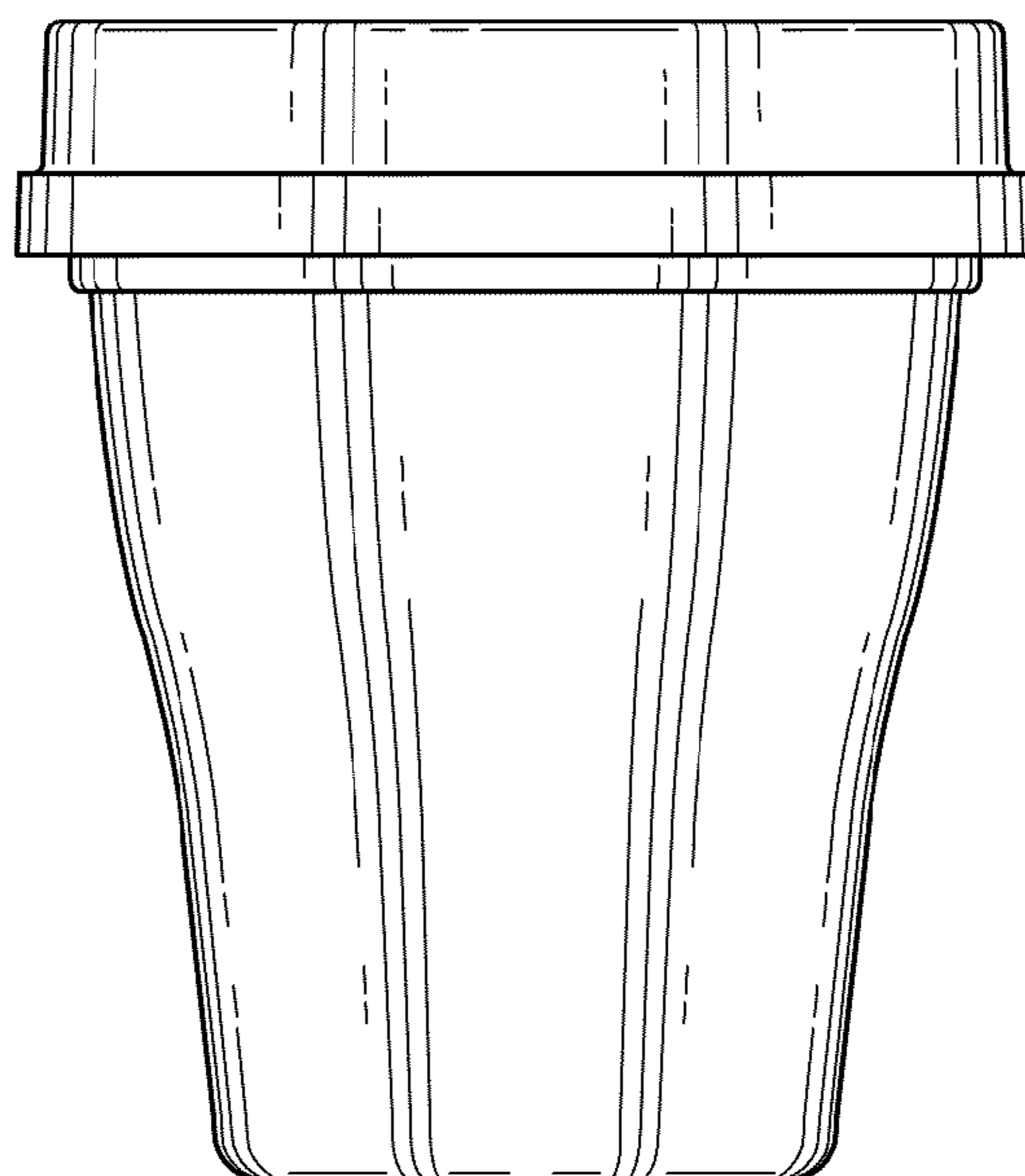


FIG. 24



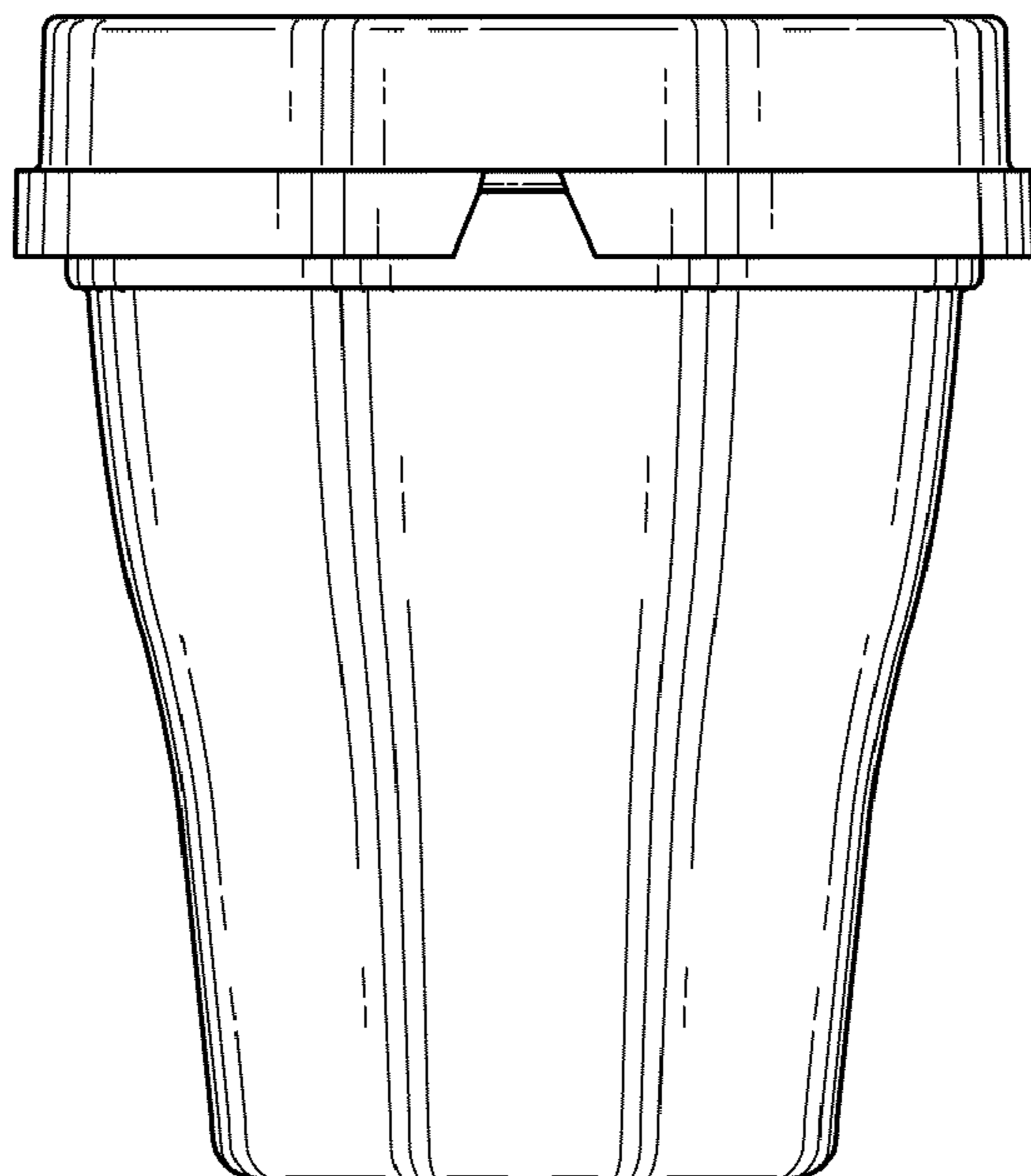


FIG. 25

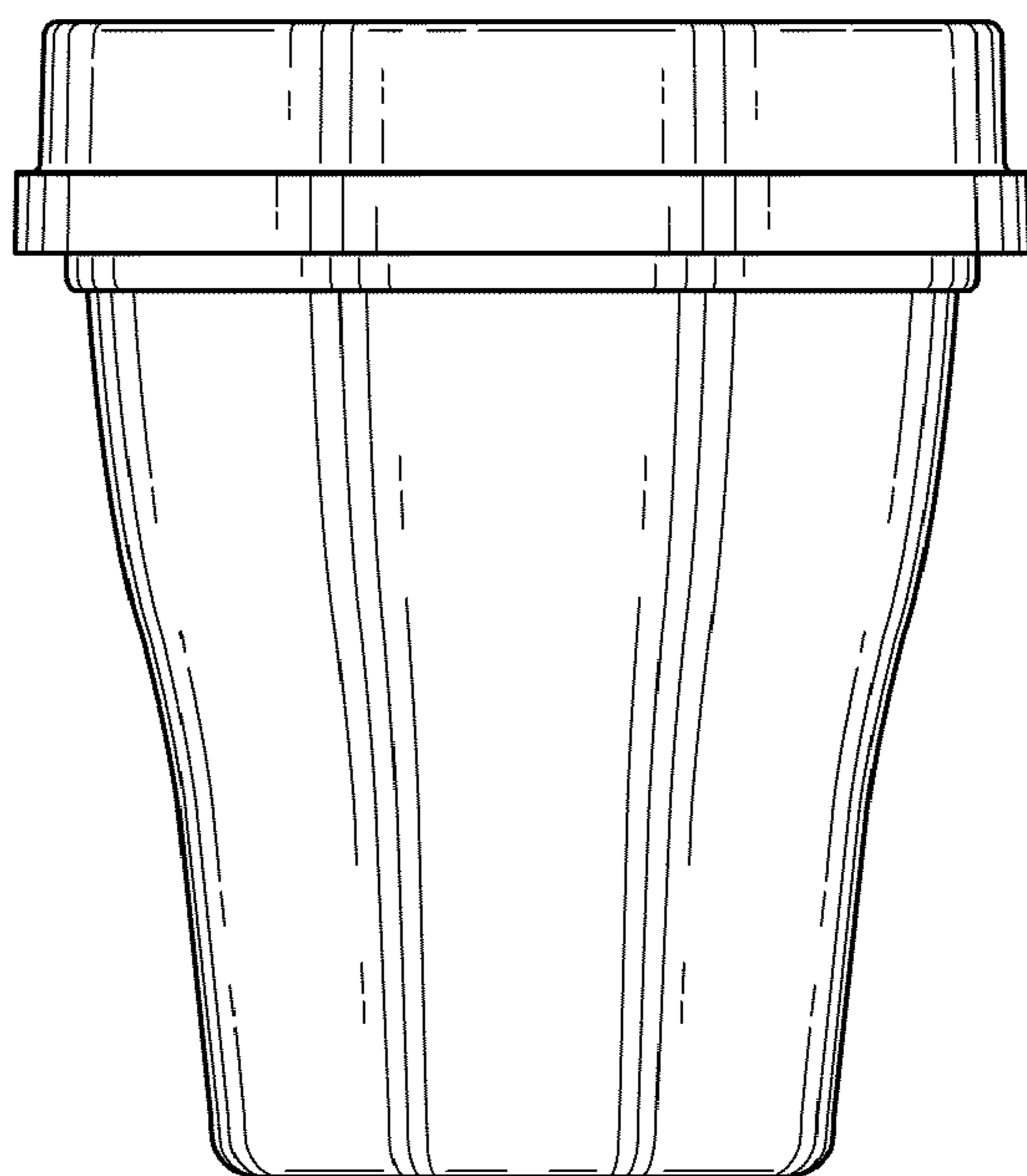


FIG. 26

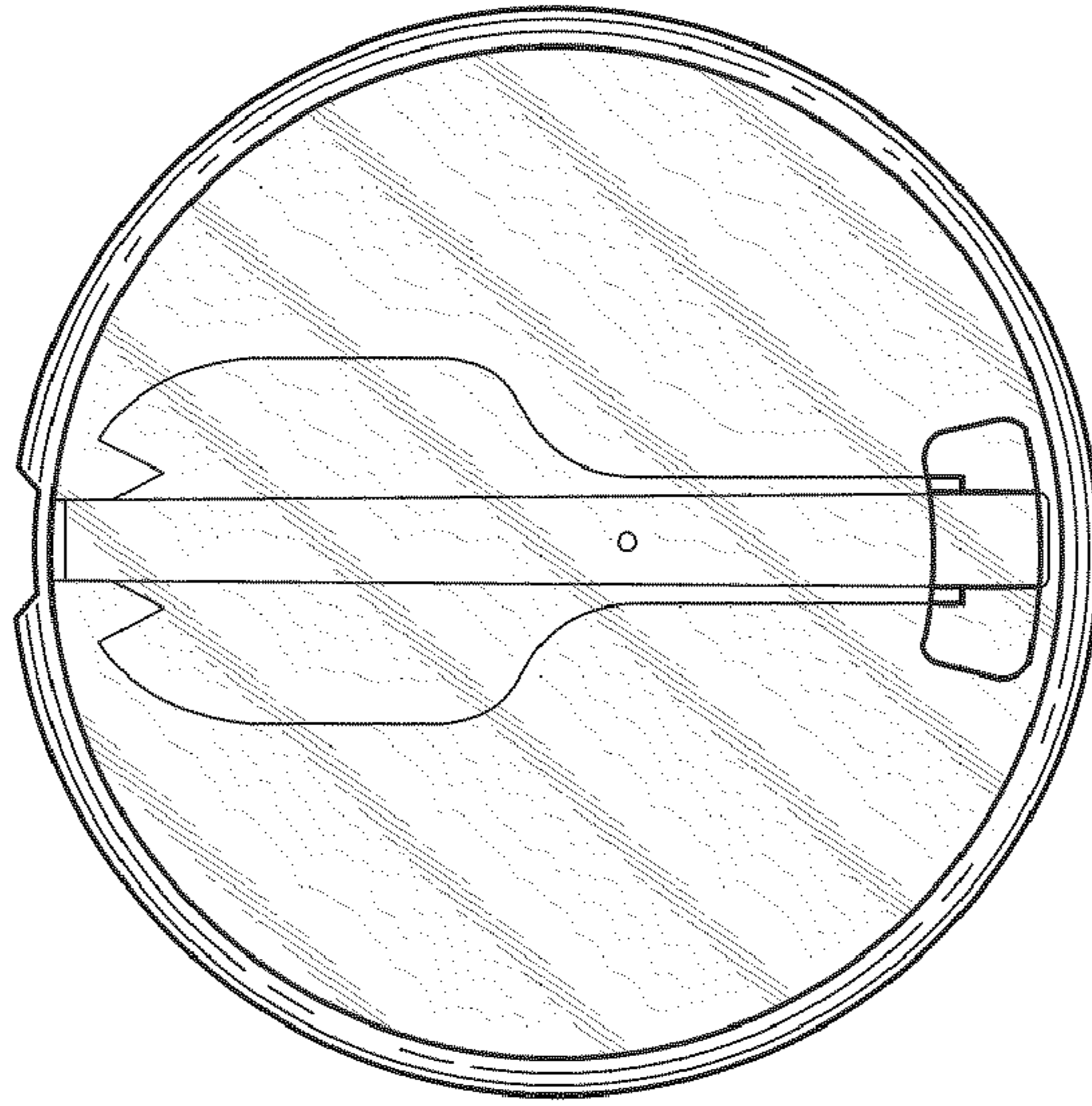


FIG. 27

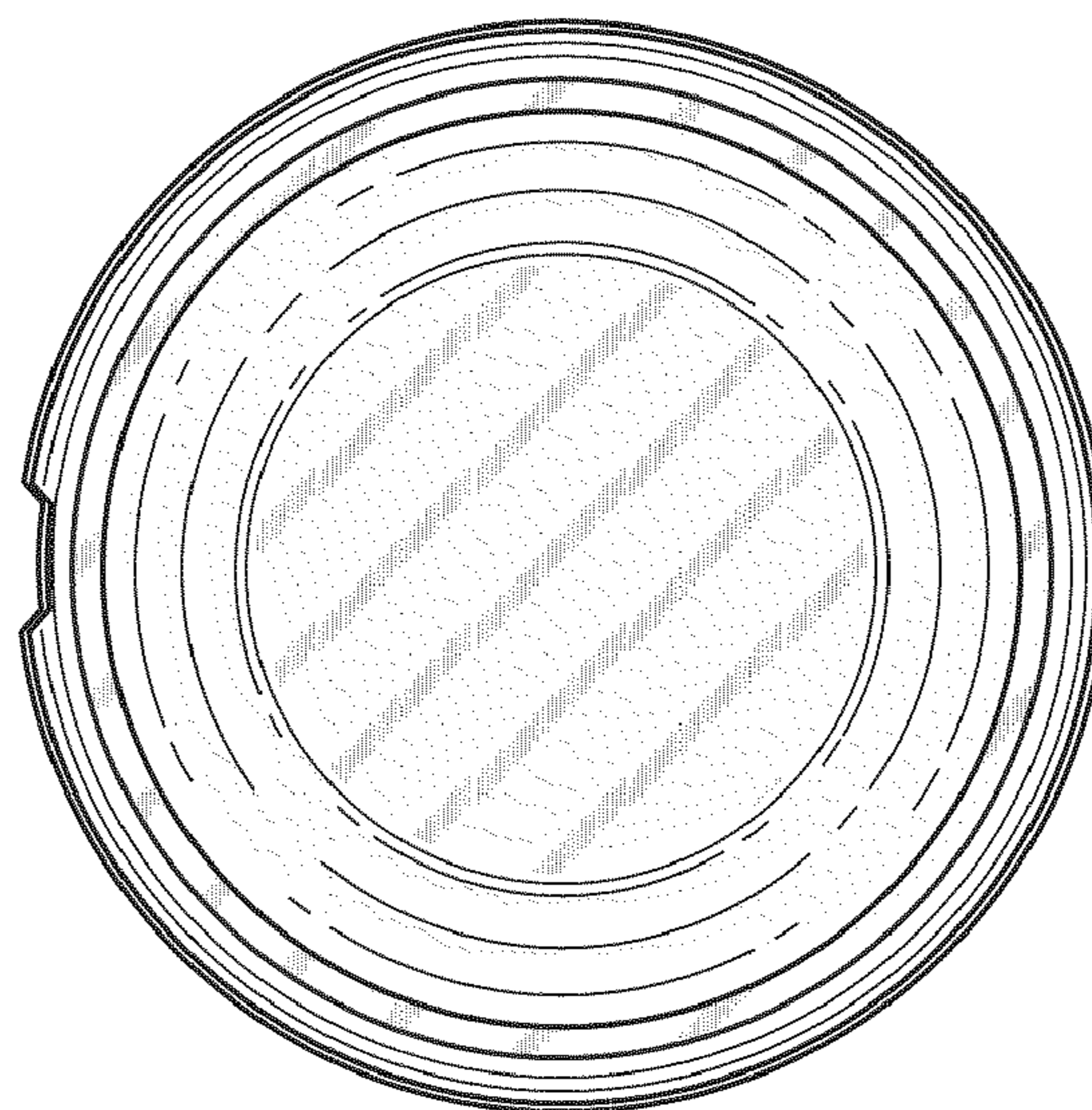
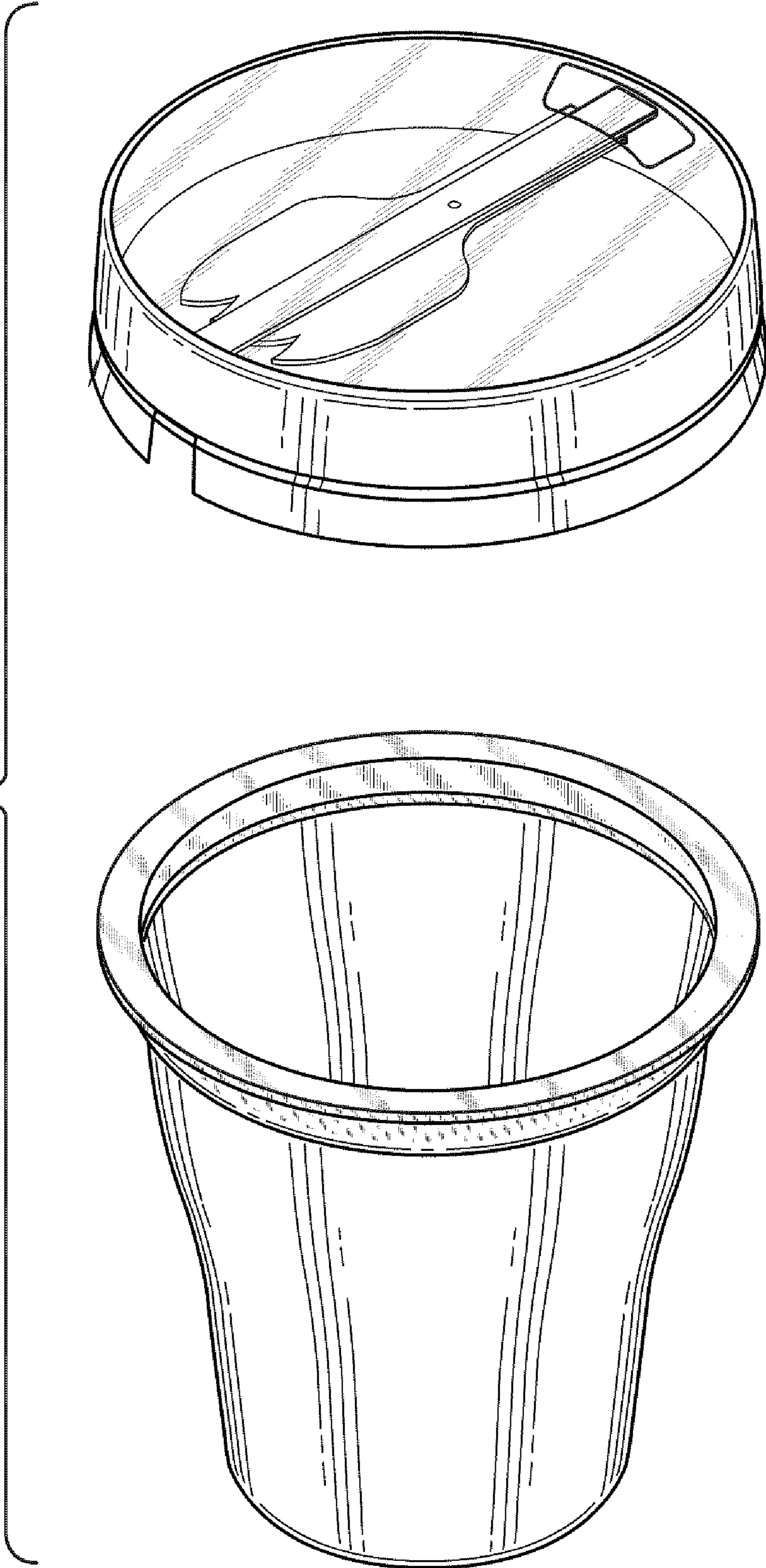


FIG. 28

FIG. 29



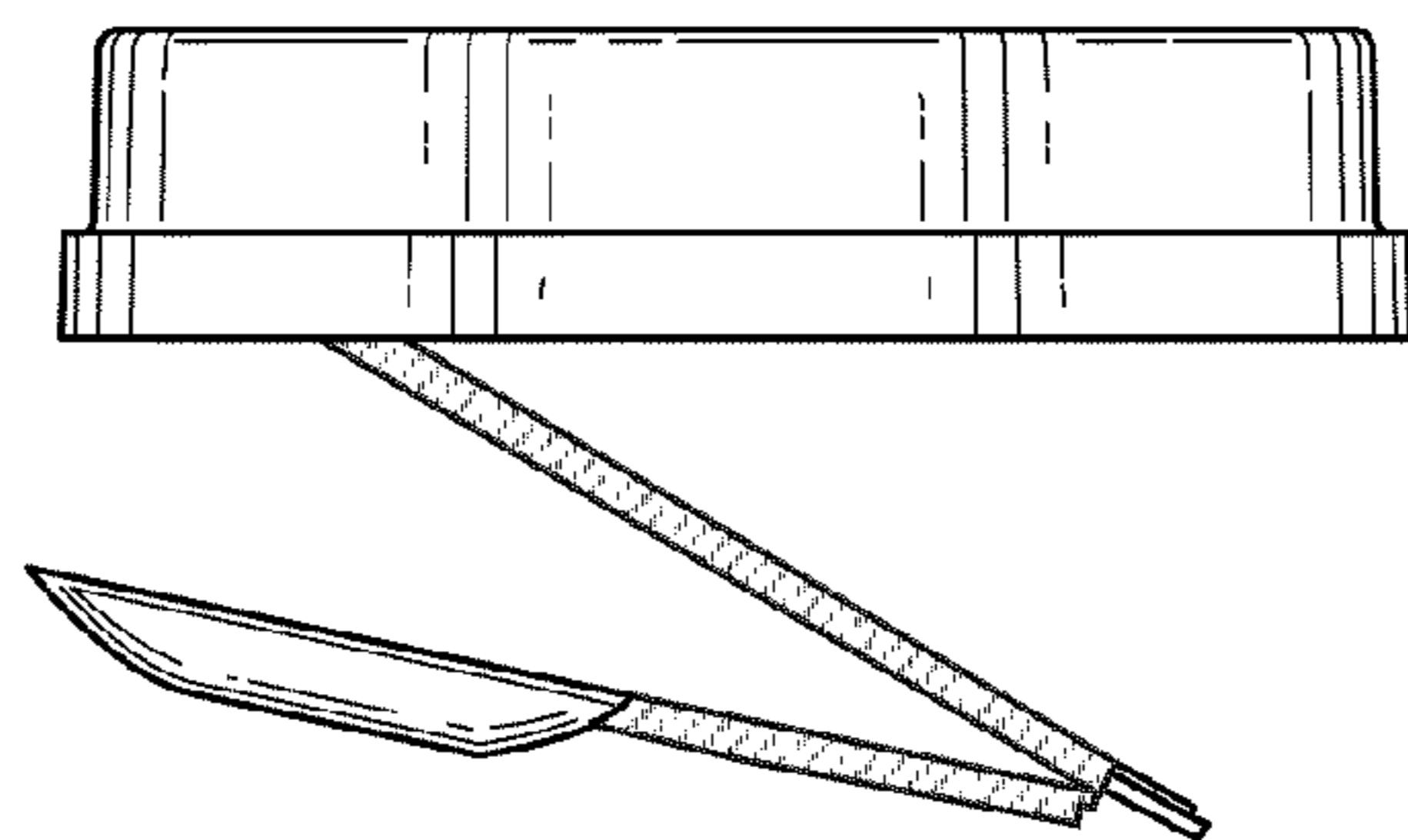


FIG. 30

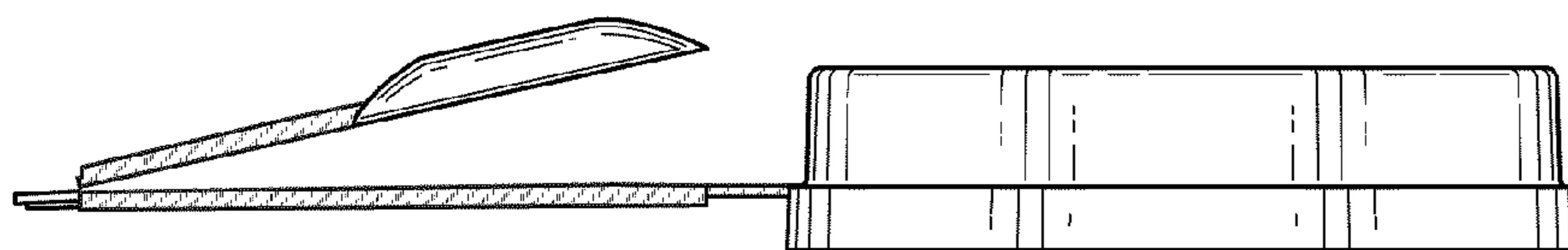


FIG. 31

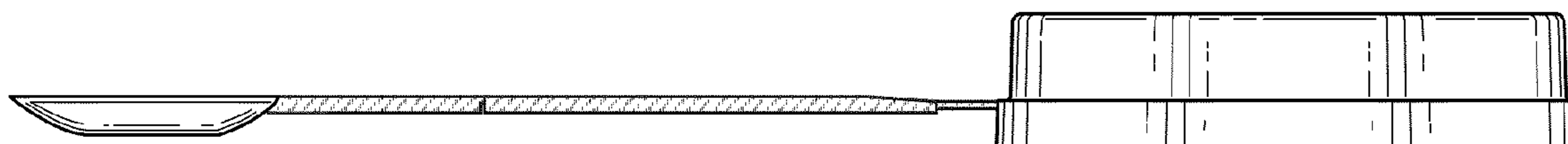


FIG. 32



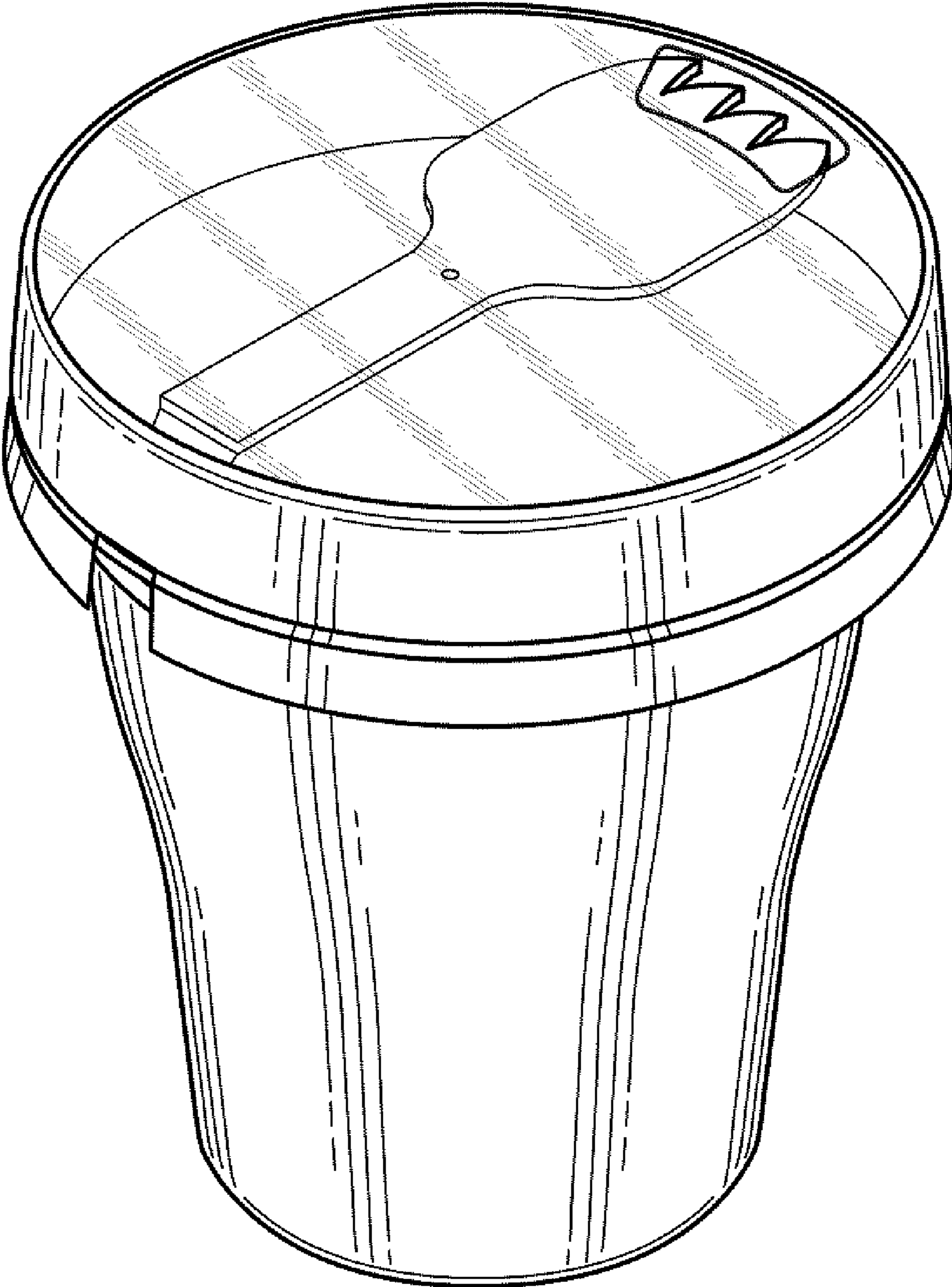


FIG. 33

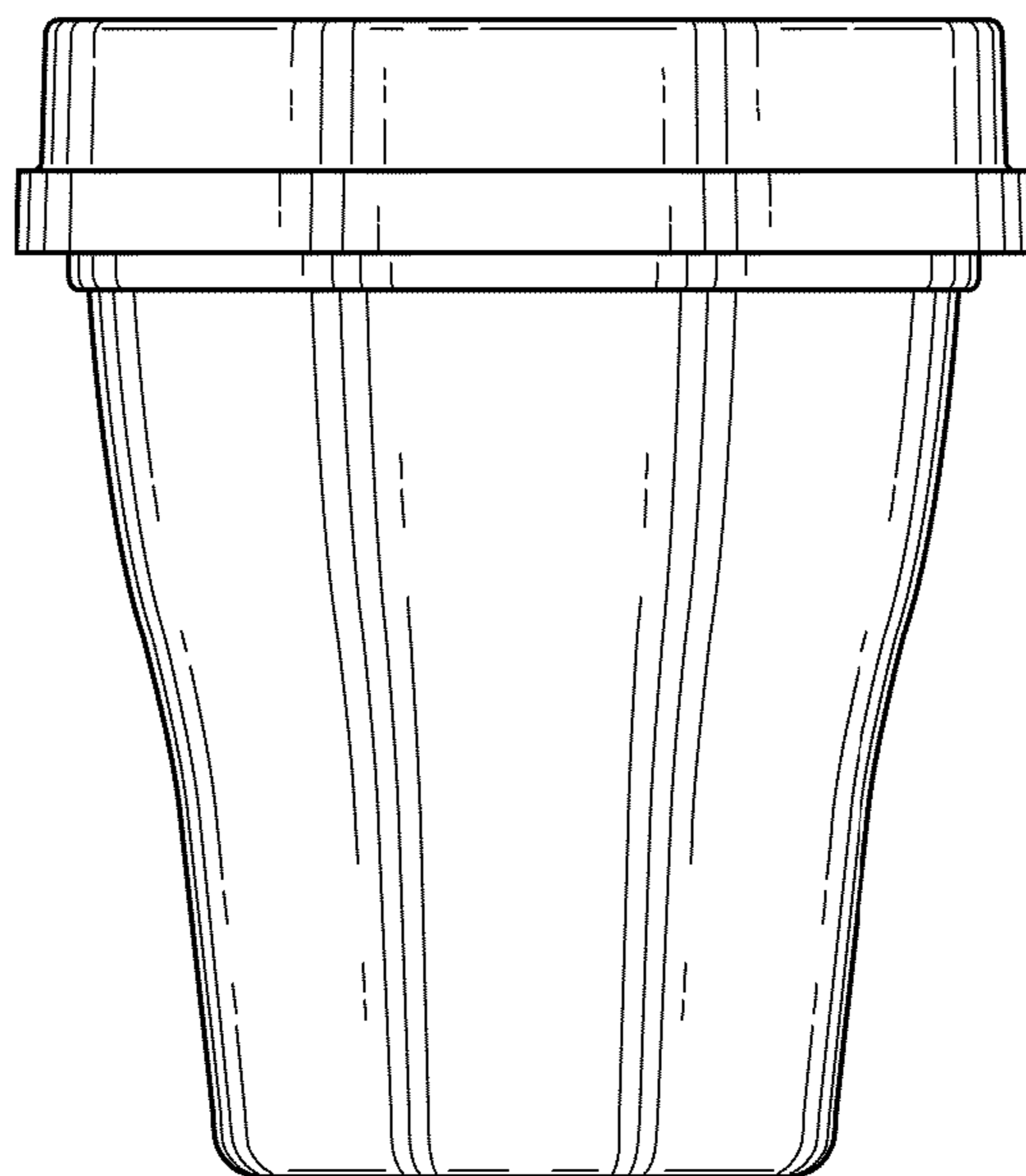


FIG. 34

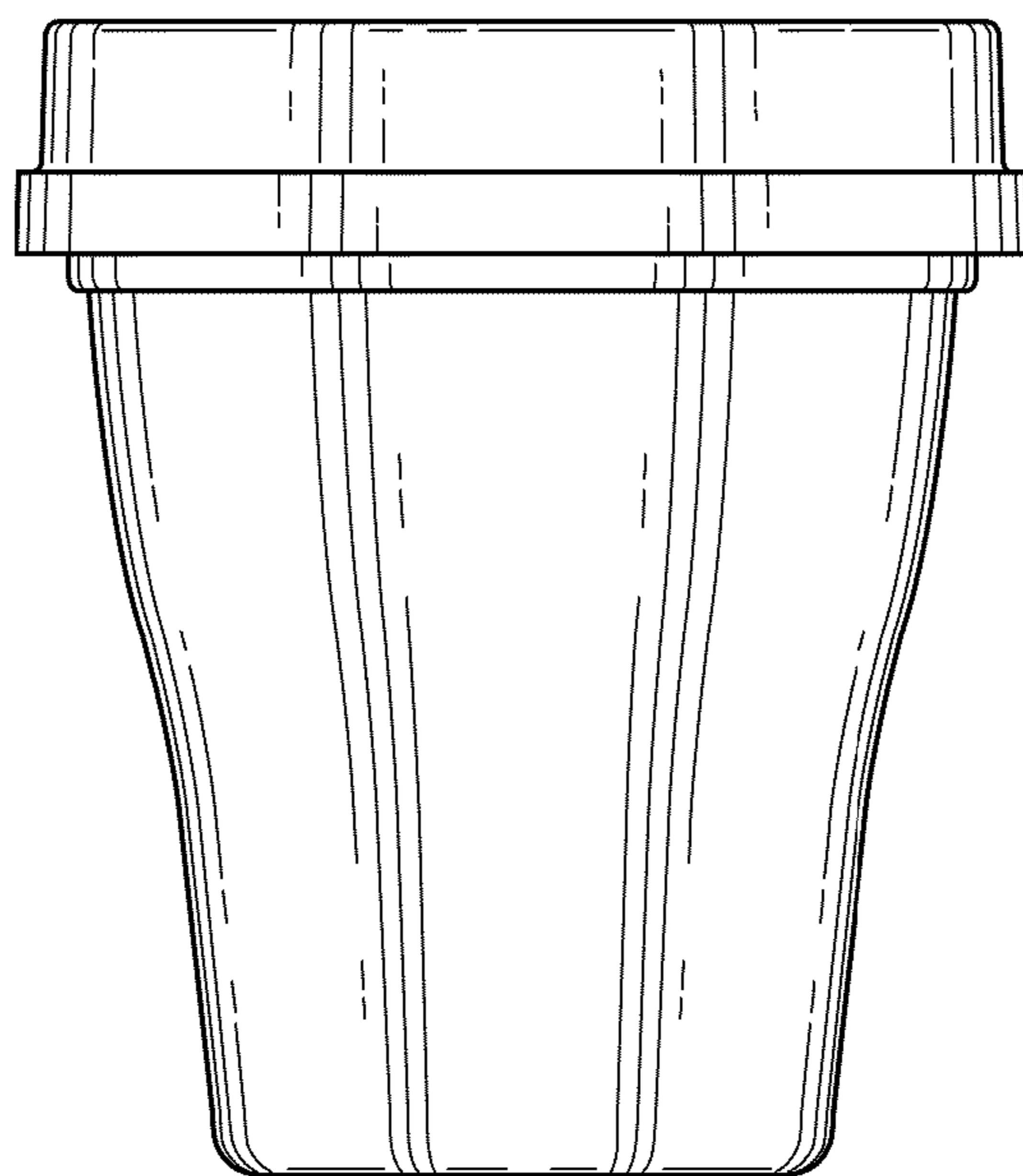


FIG. 35

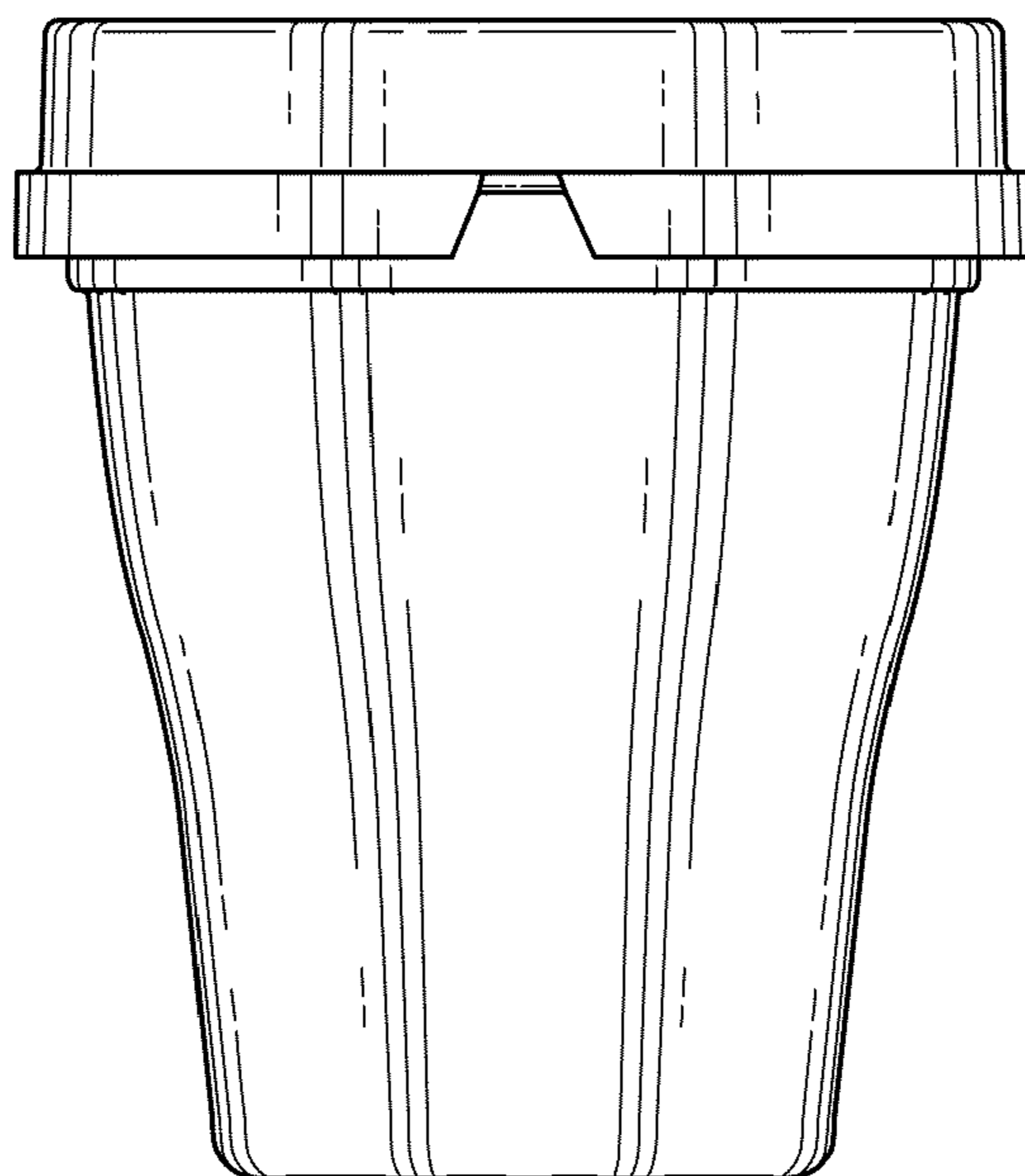


FIG. 36

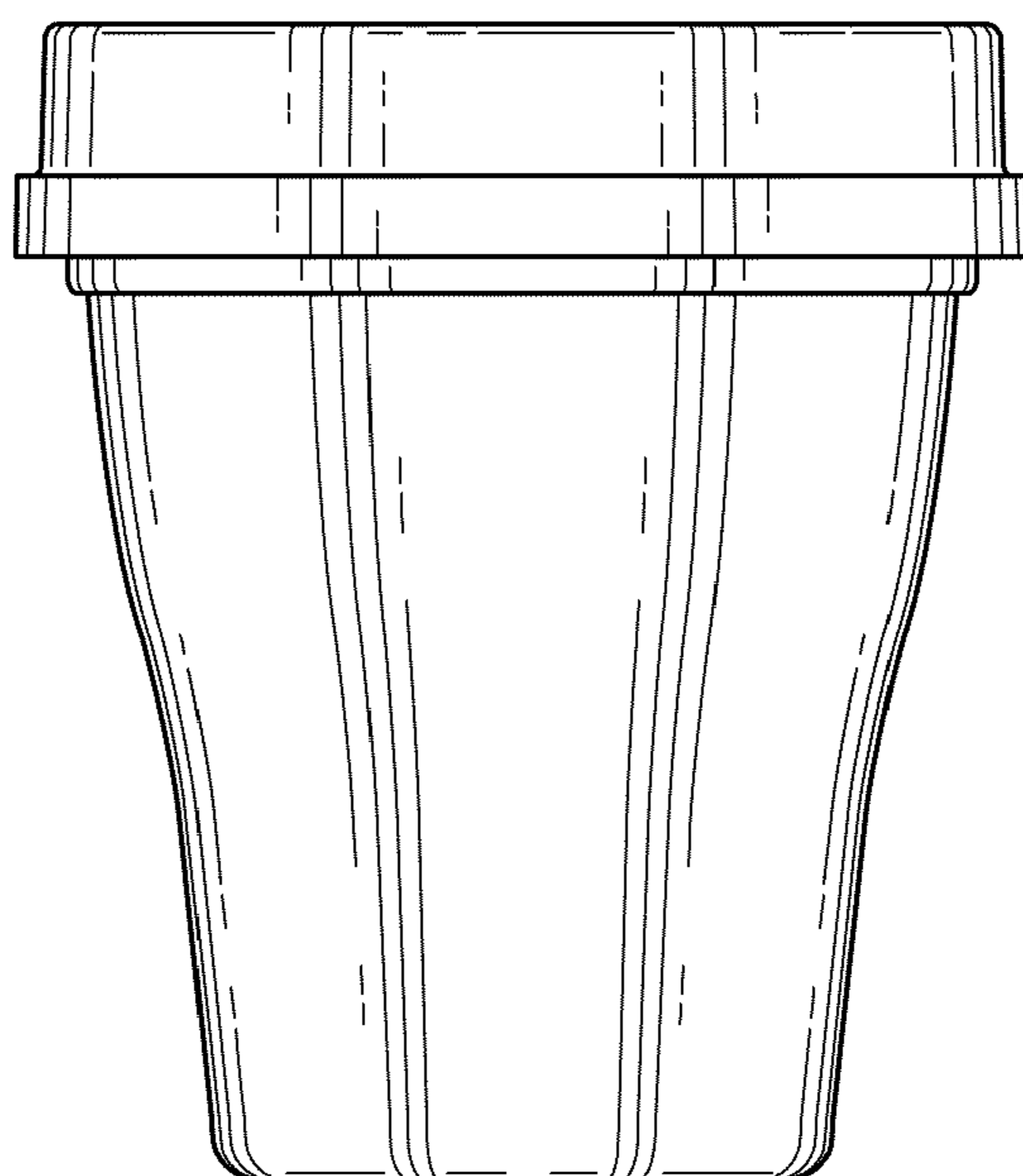


FIG. 37

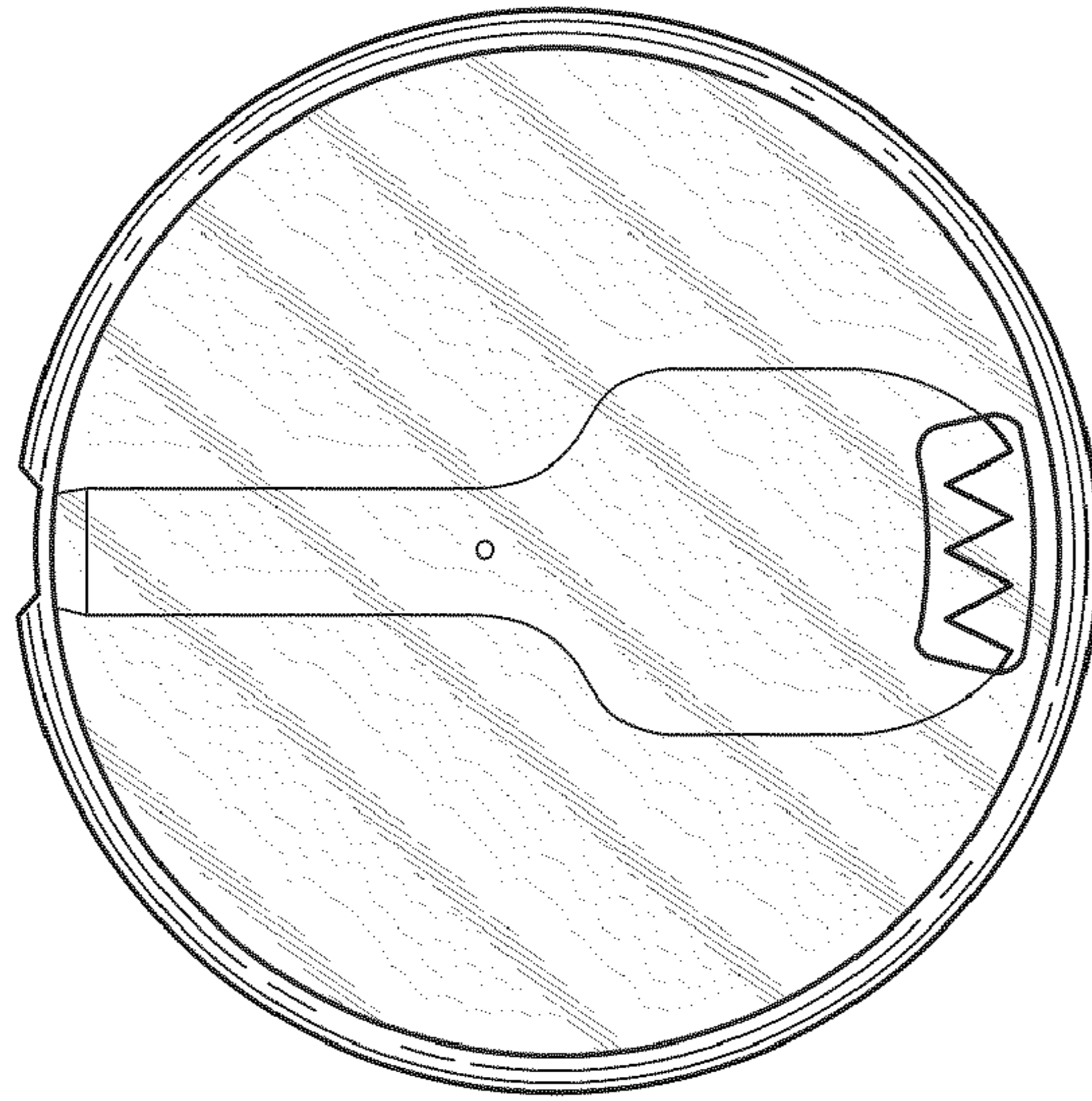


FIG. 38

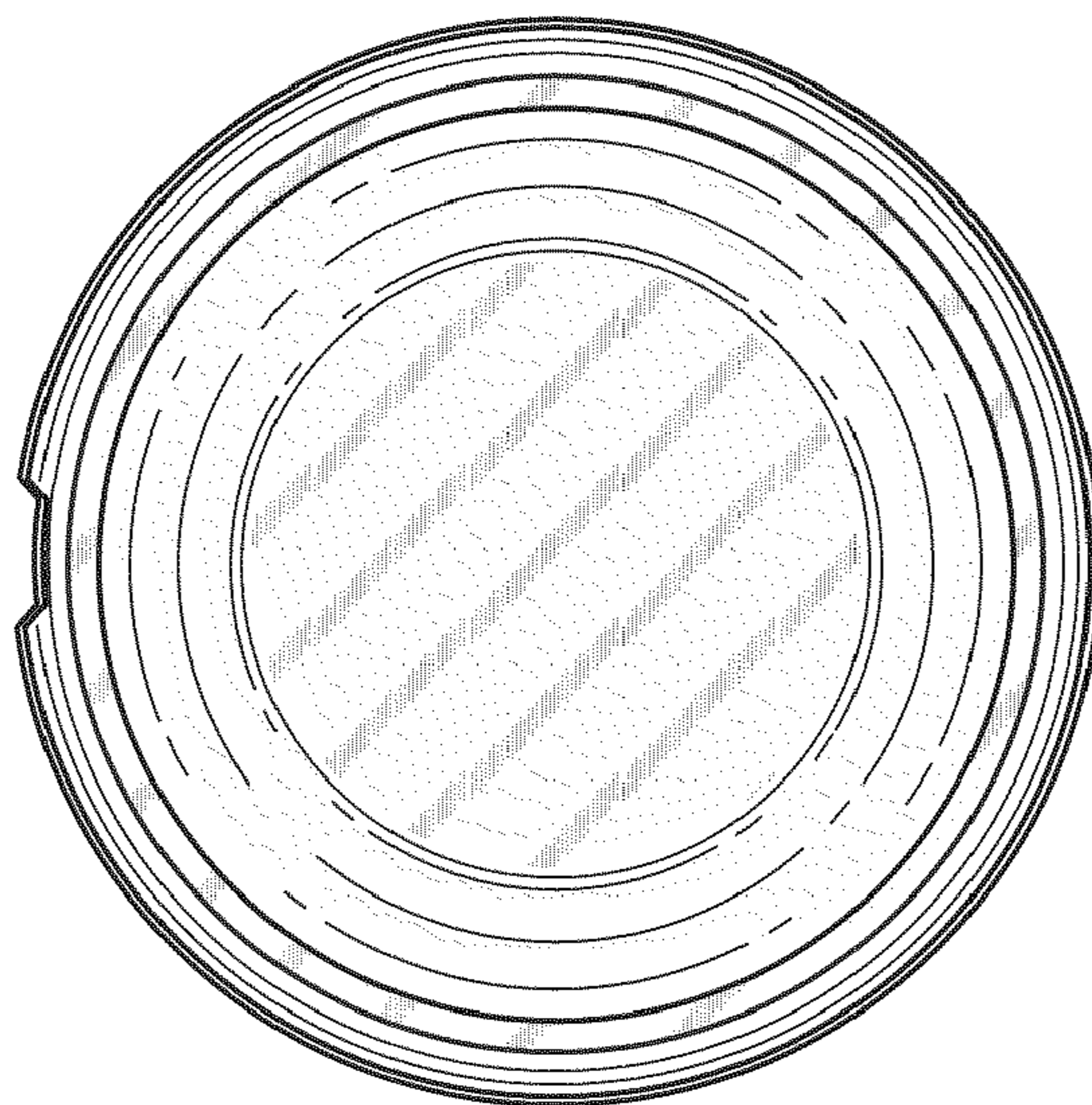
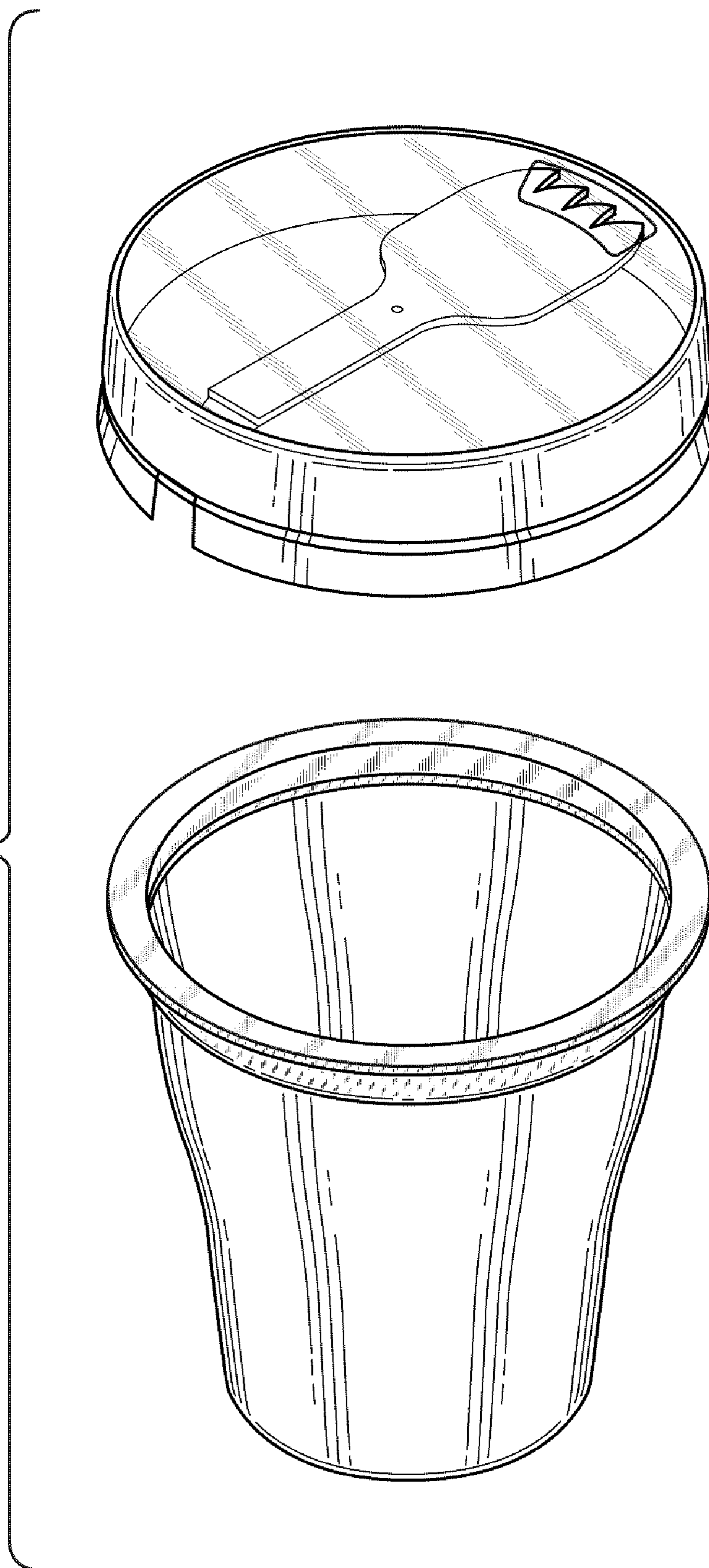


FIG. 39



FIG. 40



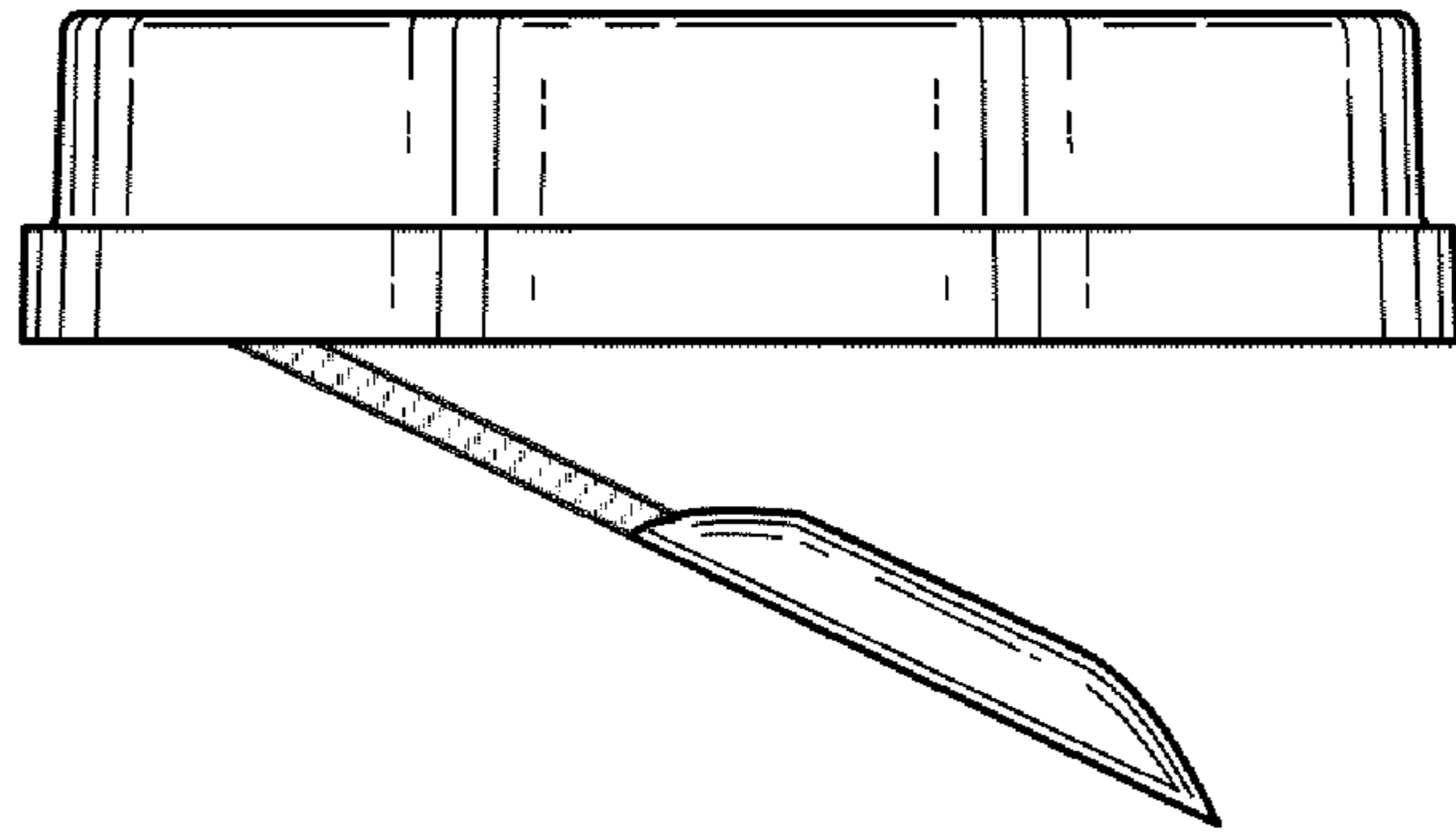


FIG. 41

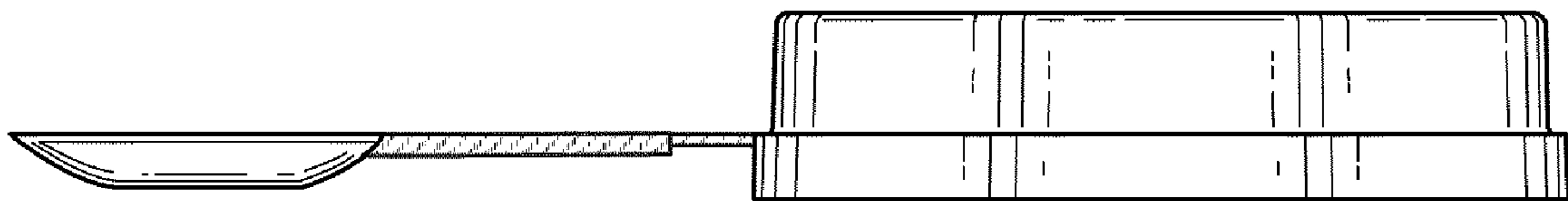


FIG. 42