



US00D605467S

(12) **United States Design Patent**
Scholz et al.

(10) **Patent No.:** **US D605,467 S**

(45) **Date of Patent:** **** Dec. 8, 2009**

(54) **TOP PLATE OF A GRILL WITH SUPPORT**

(75) Inventors: **Kay Scholz**, Hamburg (DE); **Otto Langguth**, Tangstedt (DE); **Karsten Anklam**, Bargteheide (DE)

(73) Assignee: **H.H. Scholz KG**, Hamburg (DE)

(**) Term: **14 Years**

(21) Appl. No.: **29/331,496**

(22) Filed: **Jan. 27, 2009**

(30) **Foreign Application Priority Data**

Nov. 5, 2008 (EM) 001034003

(51) **LOC (9) Cl.** **07-02**

(52) **U.S. Cl.** **D7/409**

(58) **Field of Classification Search** D7/323,
D7/354-363, 388, 390, 402, 404, 407, 409,
D7/554.3, 698; 99/324, 402, 421 A, 421 H,
99/421 HH, 421 R, 422-427, 449-450; 126/9 R;
219/443, 730, 759, 1; 220/485, 491-494,
220/500, 507, 573.1, 752, 759, 769, 912
See application file for complete search history.

(56) **References Cited**

U.S. PATENT DOCUMENTS

4,471,749 A * 9/1984 Galdes 126/9 R
D363,191 S * 10/1995 Gibson D7/402
D383,356 S * 9/1997 Stuck D7/407
D386,044 S * 11/1997 Stuck D7/407
D534,034 S * 12/2006 Chambers D7/402

* cited by examiner

Primary Examiner—Joel Sincavage
Assistant Examiner—Ricky Pham

(74) *Attorney, Agent, or Firm*—Venable LLP; Robert Kinberg; Leigh D. Thelen

(57) **CLAIM**

The ornamental design for a top plate of a grill with support, as shown and described.

DESCRIPTION

FIG. 1 is a front-left-top perspective view of the top plate of a grill with support.

FIG. 2 is a view from the left side of the top plate of a grill with support;

FIG. 3 is a view from the right side of the top plate of a grill with support;

FIG. 4 is a view from the rear side of the top plate of a grill with support;

FIG. 5 is a view from the front side of the top plate of a grill with support;

FIG. 6 is a view from the top side of the top plate of a grill with support;

FIG. 7 is a front-left-top perspective view of the second embodiment of the top plate of a grill with support;

FIG. 8 is a view from the left side of the top plate of a grill with support;

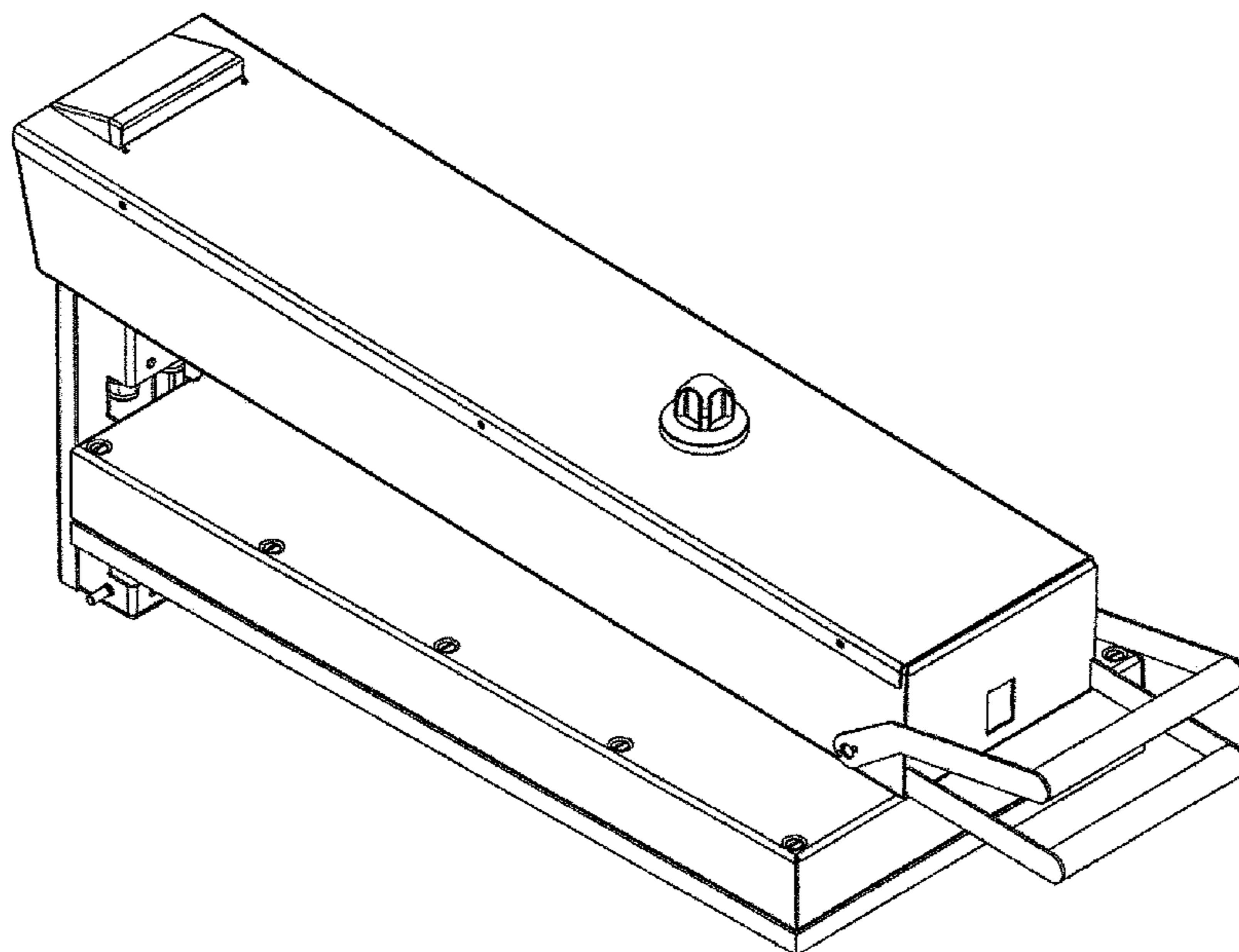
FIG. 9 is a view from the right side of the top plate of a grill with support;

FIG. 10 is a view from the rear side of the top plate of a grill with support;

FIG. 11 is a view from the front side of the top plate of a grill with support; and,

FIG. 12 is a view from the top side of the top plate of a grill with support.

1 Claim, 11 Drawing Sheets



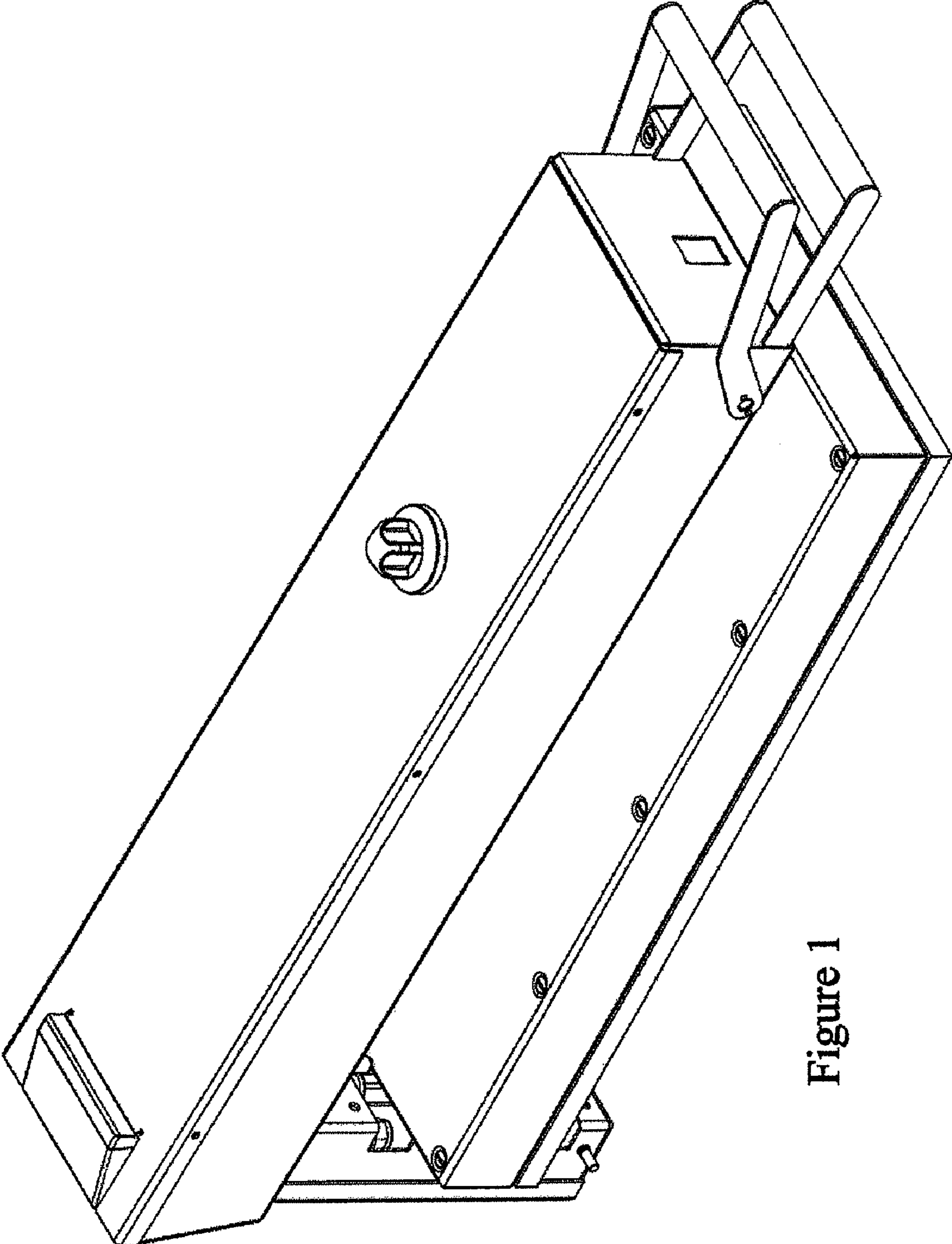


Figure 1

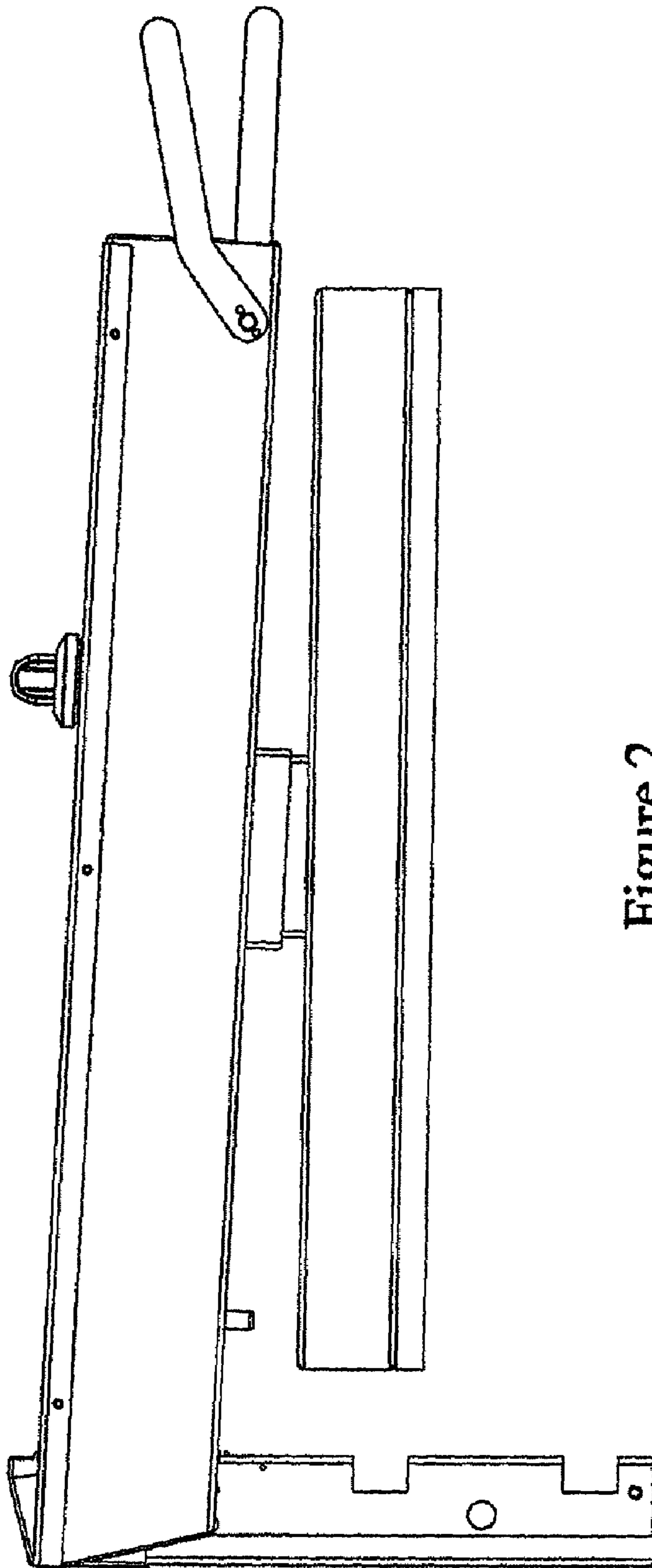


Figure 2

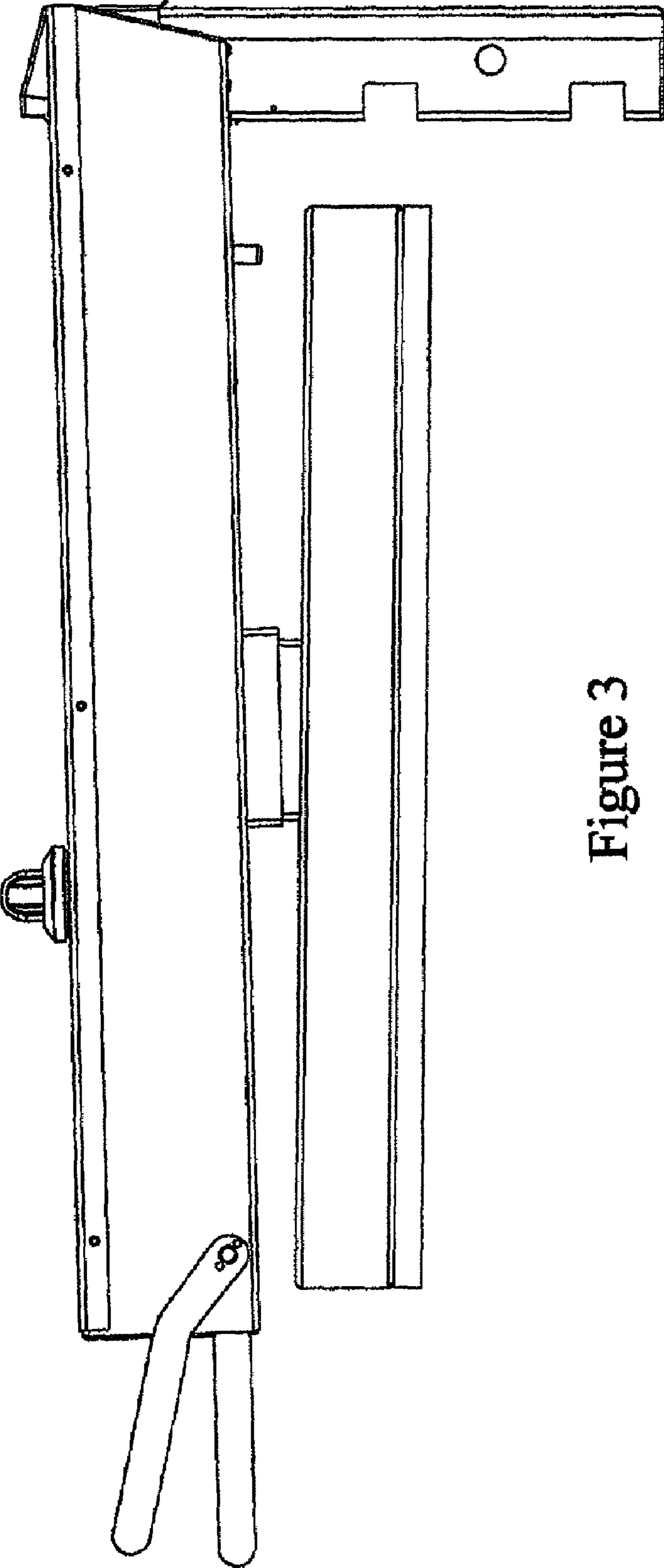


Figure 3

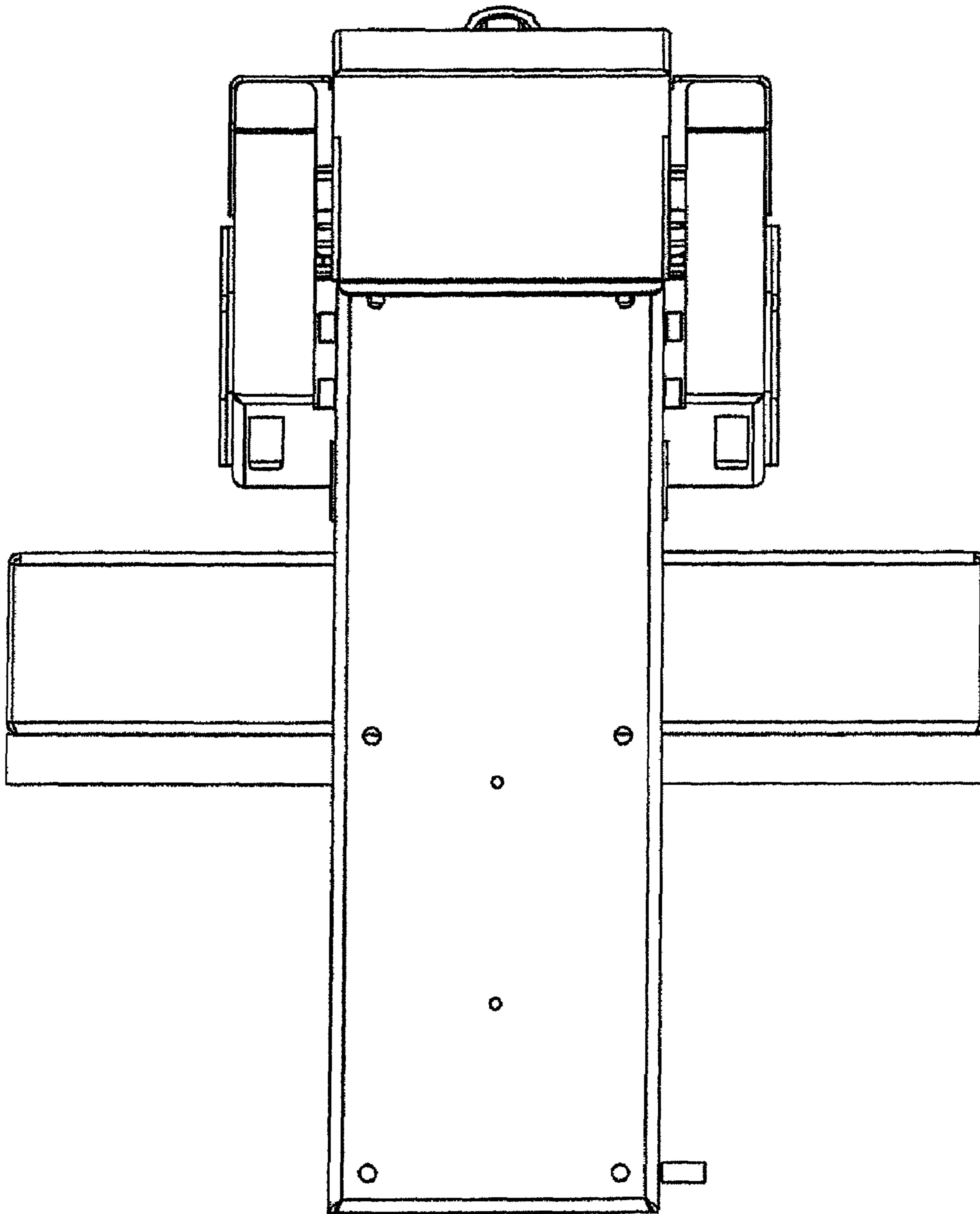


Figure 4

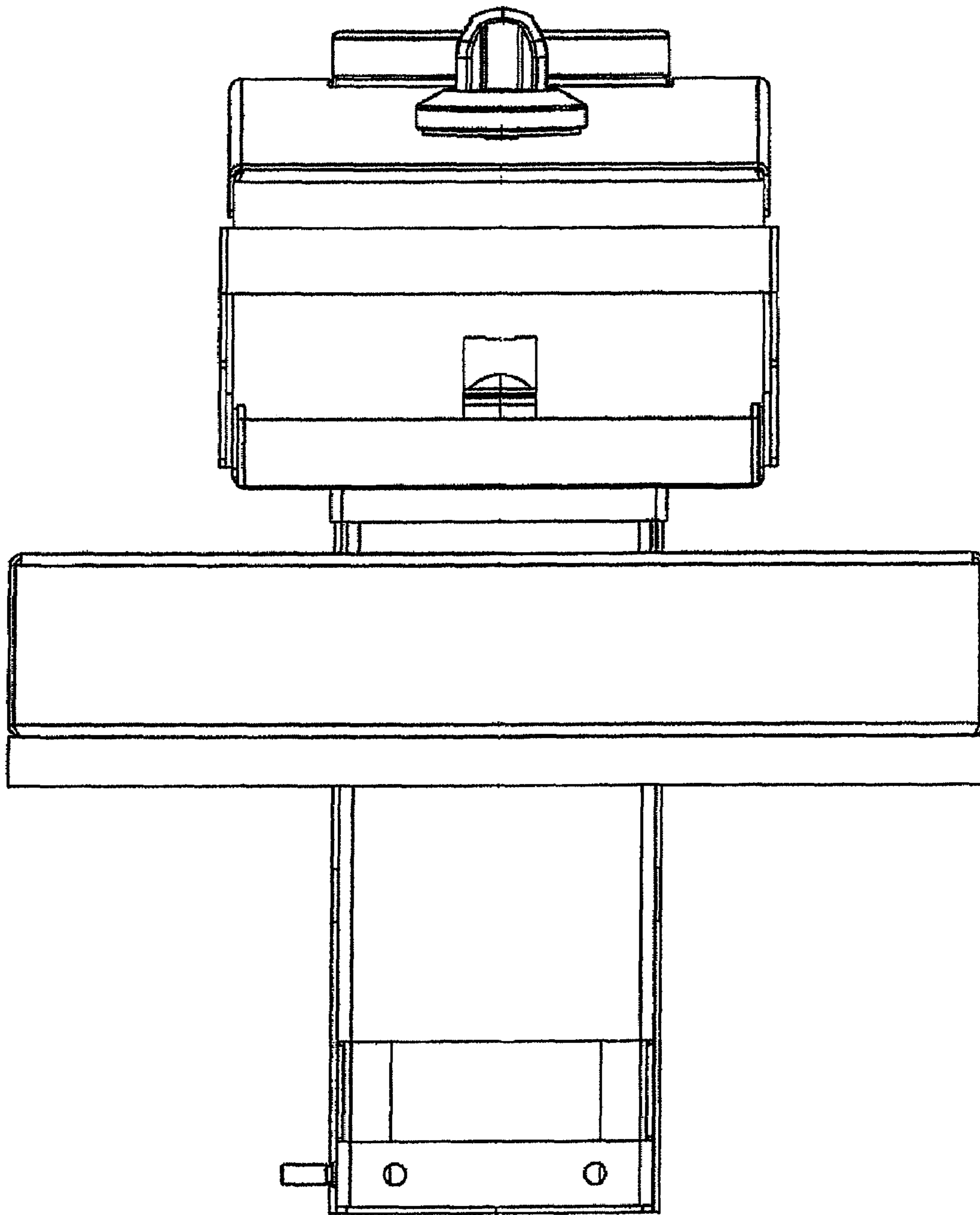


Figure 5

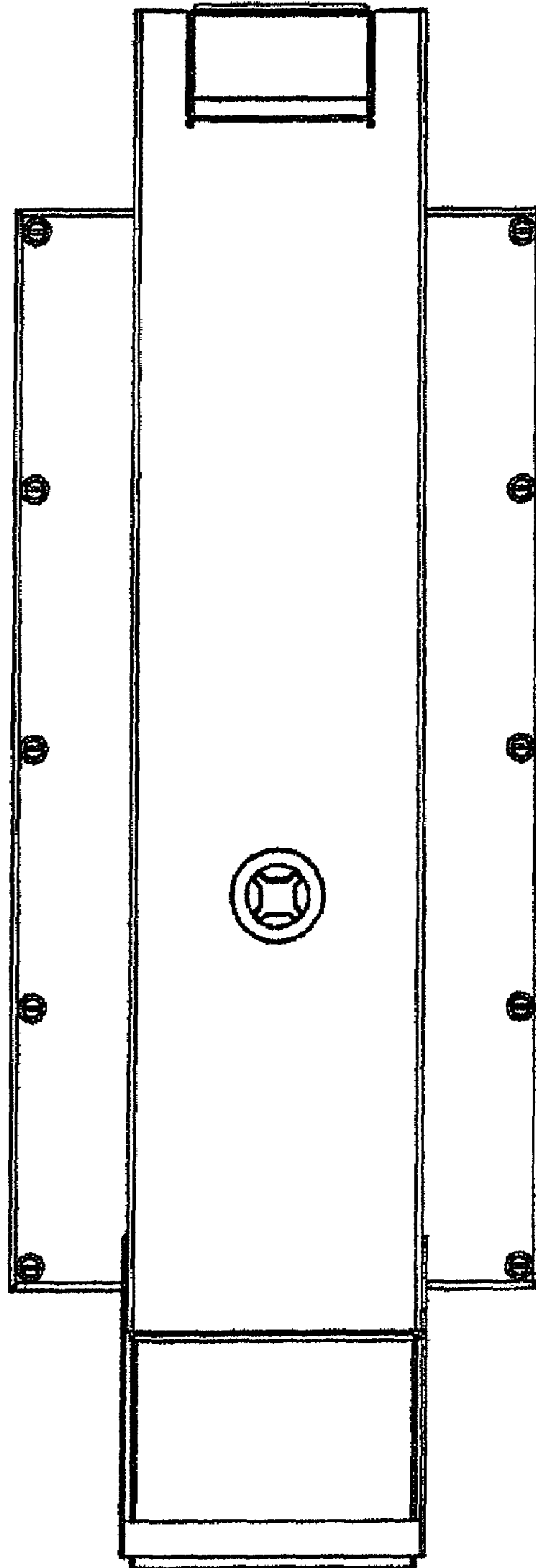


Figure 6

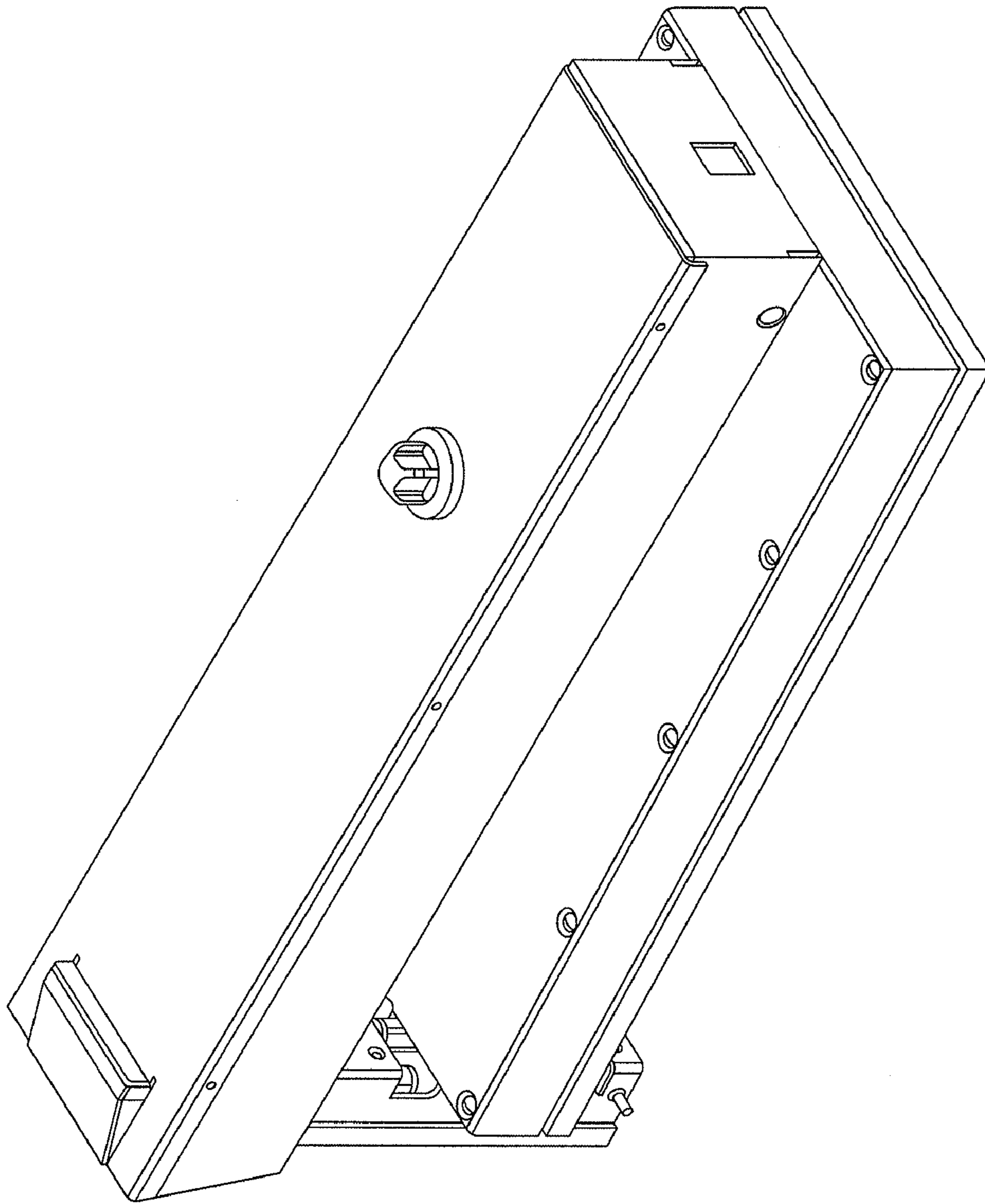


FIG. 7

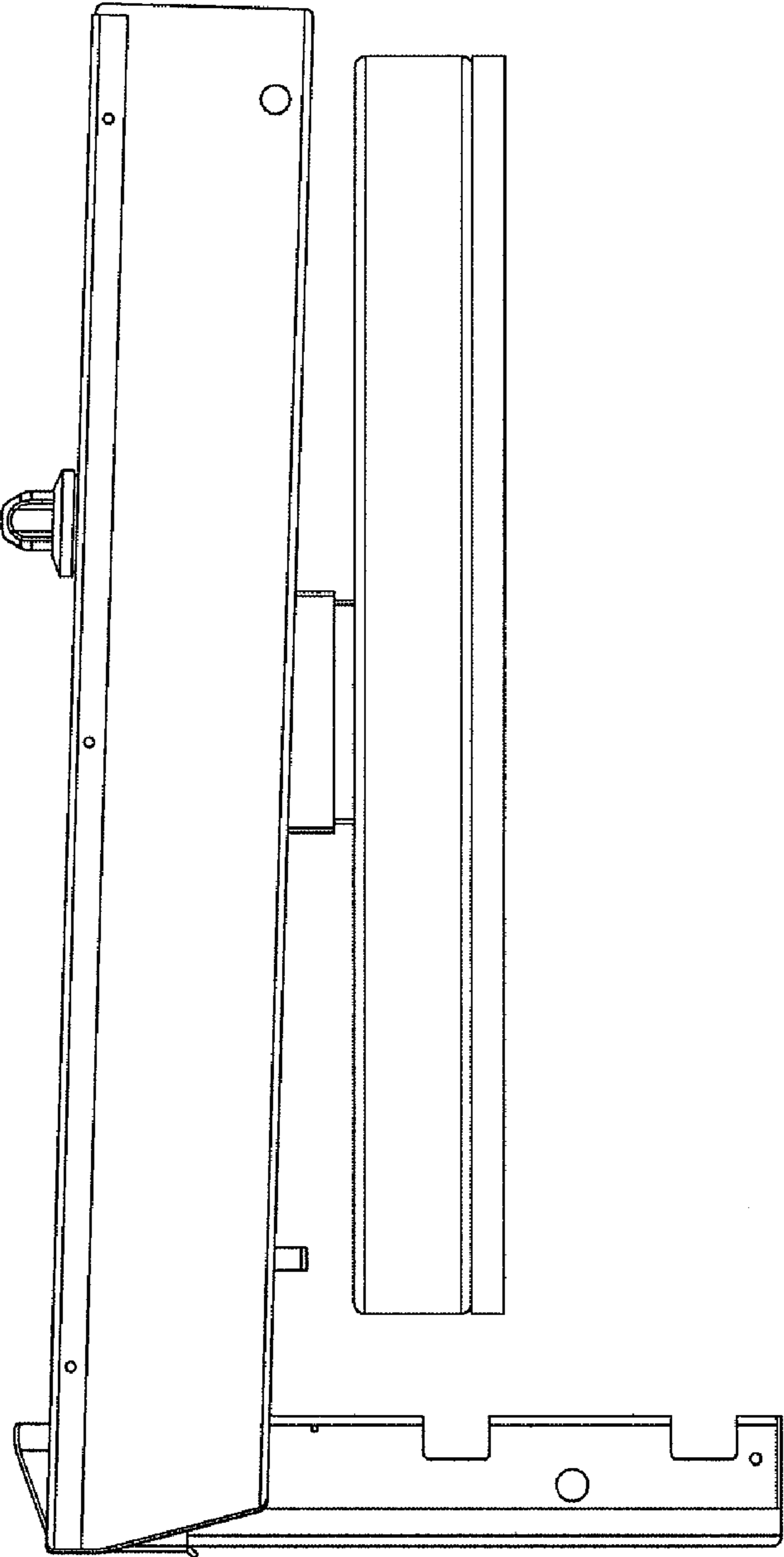


FIG. 8

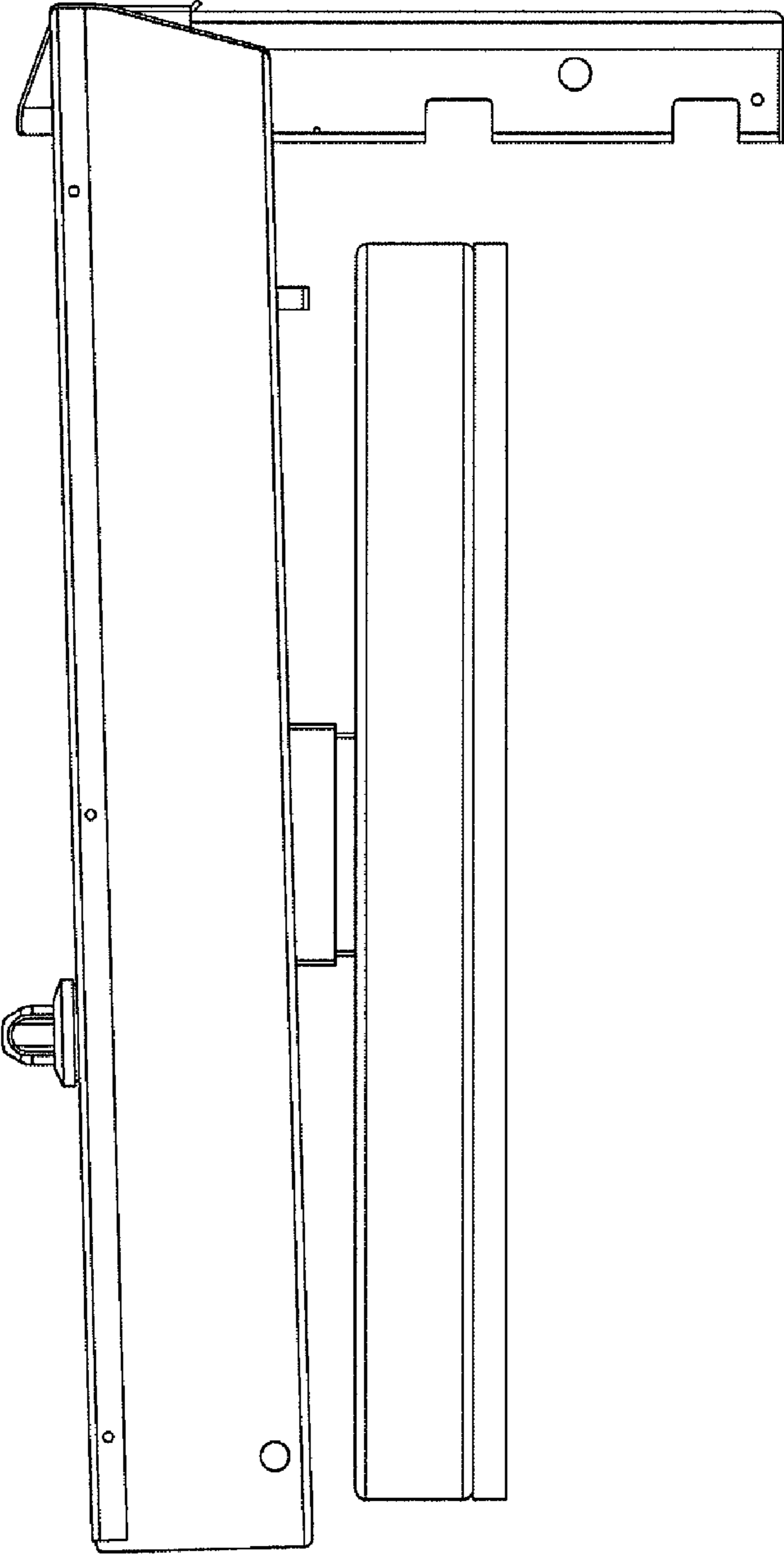


FIG. 9

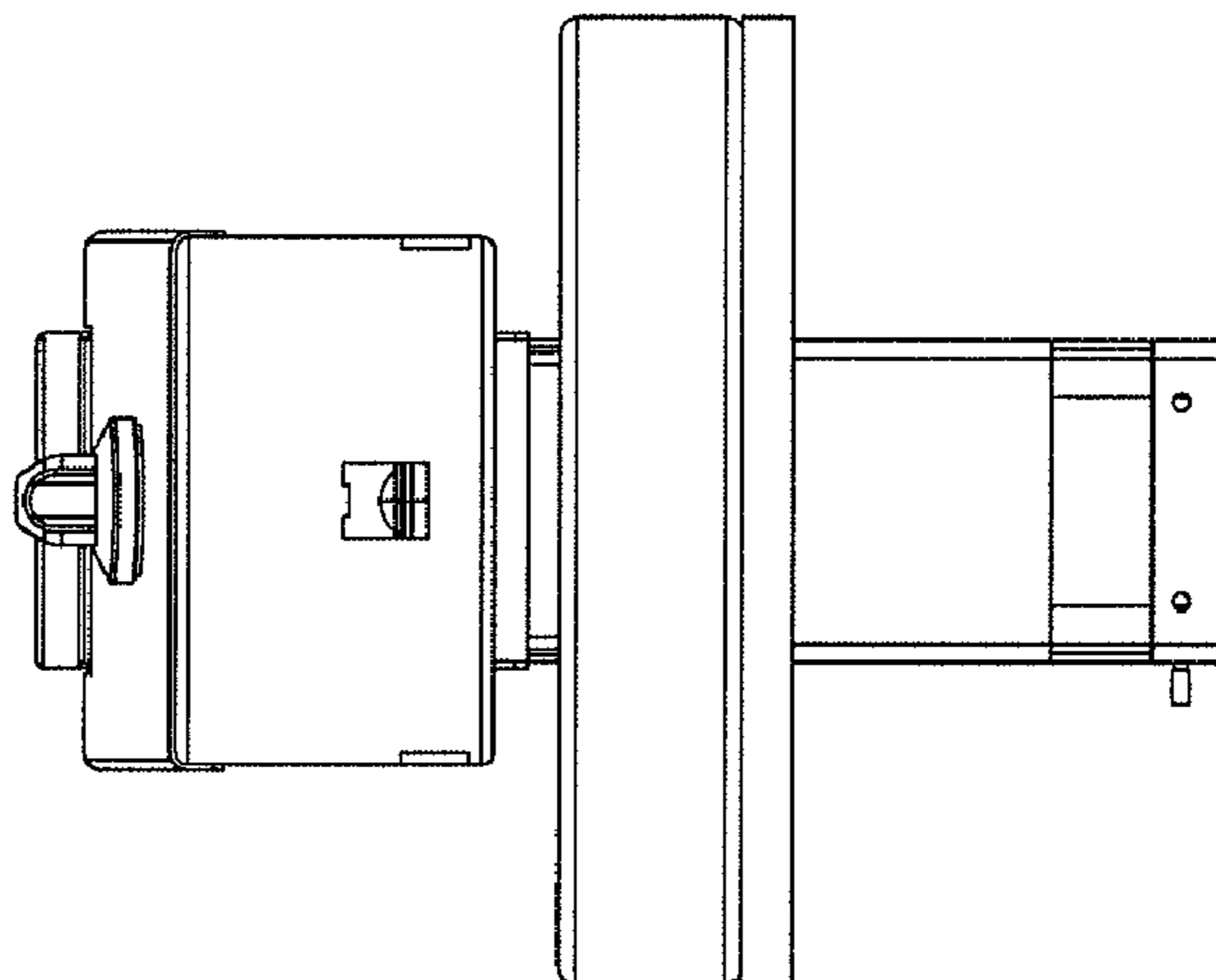


FIG. 11

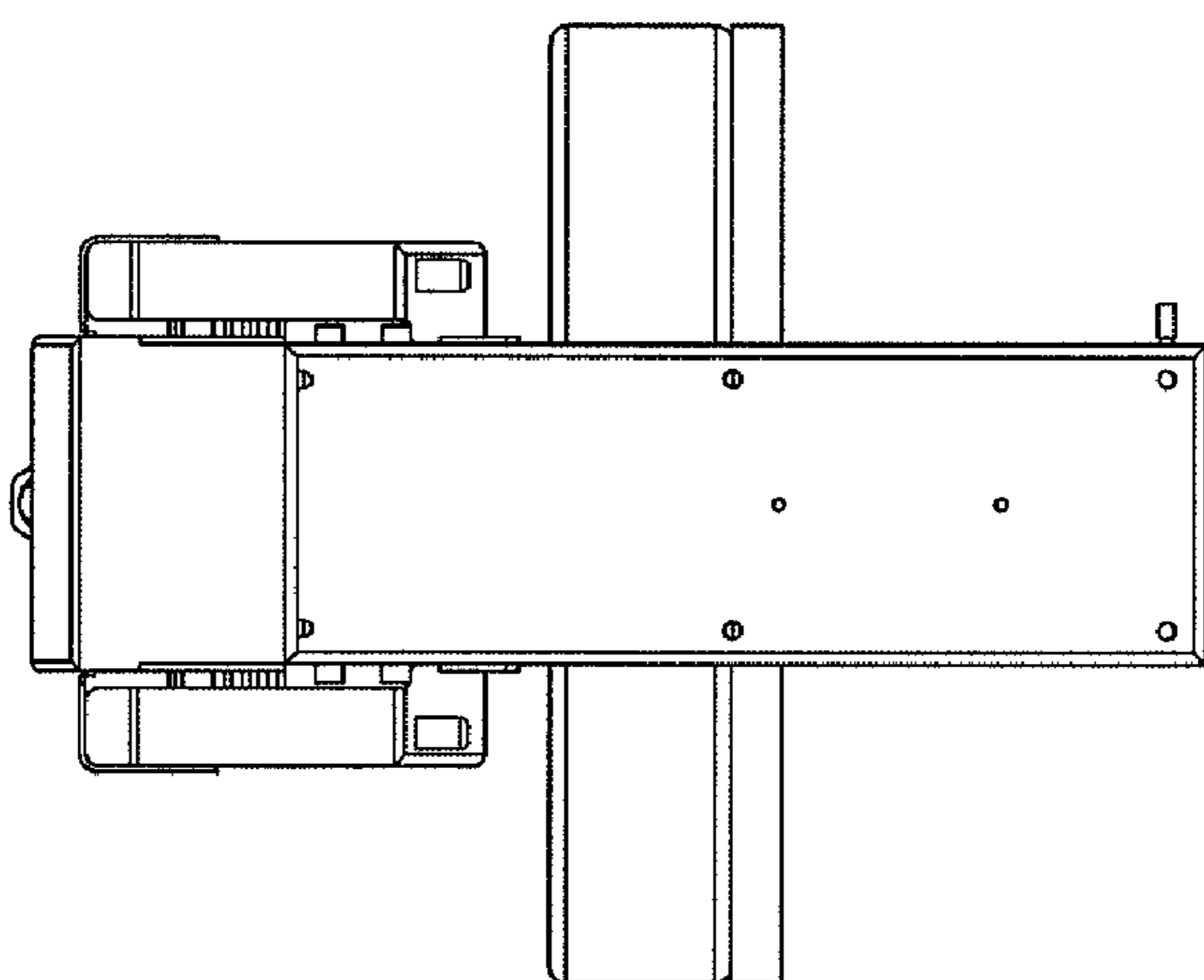


FIG. 10

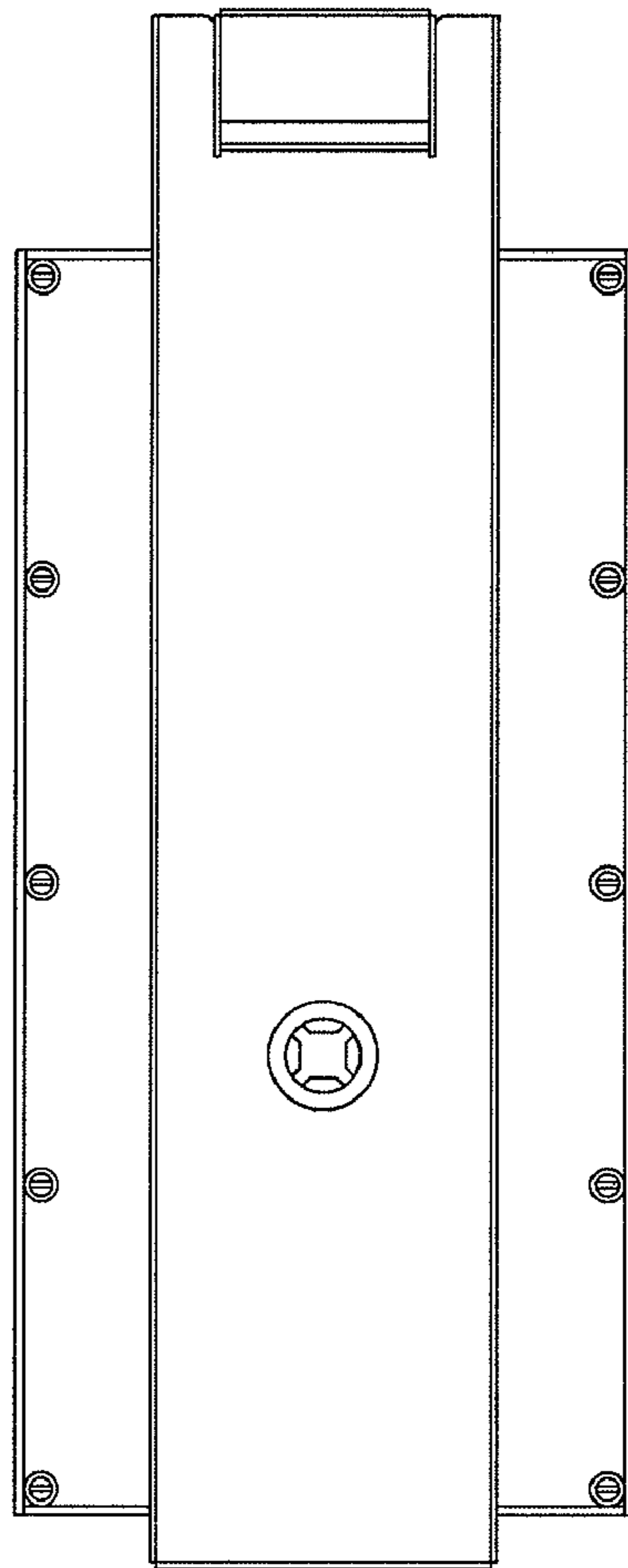


FIG. 12

UNITED STATES PATENT AND TRADEMARK OFFICE
CERTIFICATE OF CORRECTION

PATENT NO. : D605,467 S
APPLICATION NO. : 29/331496
DATED : December 8, 2009
INVENTOR(S) : Scholz et al.

Page 1 of 1

It is certified that error appears in the above-identified patent and that said Letters Patent is hereby corrected as shown below:

On the Cover Page:

Add Related U.S. Application Data as follows:

Related U.S. Application Data

(63) Continuation of design Application No. 29/330,898, filed on January 15, 2009.

Signed and Sealed this
First Day of February, 2011

A handwritten signature in black ink that reads "David J. Kappos". The signature is written in a cursive style with a large initial "D" and "K".

David J. Kappos
Director of the United States Patent and Trademark Office