



US00D605464S

(12) **United States Design Patent**
McGuire et al.

(10) **Patent No.:** **US D605,464 S**

(45) **Date of Patent:** **** Dec. 8, 2009**

(54) **BOTTLE RING**

(75) Inventors: **Brian McGuire**, Highlands Ranch, CO (US); **Dawn McGuire**, Highlands Ranch, CO (US)

(73) Assignee: **Bottle Tag Company, LLC**, Highlands Ranch, CO (US)

(**) Term: **14 Years**

(21) Appl. No.: **29/330,091**

(22) Filed: **Dec. 29, 2008**

(51) **LOC (9) Cl.** **07-01**

(52) **U.S. Cl.** **D7/396.1**; D9/434; D24/199; D11/40

(58) **Field of Classification Search** D7/396.1, D7/387, 397; D24/199; D14/234; D9/434, D9/451; 294/137, 158; D11/40, 42, 93; 215/274, 273, 352, 341; 224/267
See application file for complete search history.

(56) **References Cited**

U.S. PATENT DOCUMENTS

| | | | | | |
|-----------|-----|---------|-------------|-------|---------|
| 1,522,607 | A * | 1/1925 | Anderson | | 24/3.6 |
| D206,346 | S * | 11/1966 | Steinman | | D11/75 |
| D278,920 | S * | 5/1985 | Wichman | | D21/468 |
| 4,858,285 | A * | 8/1989 | Dala et al. | | 24/555 |
| 5,072,837 | A * | 12/1991 | Rosch | | 211/116 |
| D370,865 | S * | 6/1996 | Brisk | | D11/40 |
| RE35,635 | E * | 10/1997 | Bauman | | 16/239 |
| D385,211 | S * | 10/1997 | Brisk | | D11/40 |

| | | | | | |
|--------------|------|--------|----------------|-------|---------|
| 5,946,943 | A * | 9/1999 | Hanson | | 63/12 |
| D471,478 | S * | 3/2003 | Waldman | | D11/1 |
| D472,838 | S * | 4/2003 | Ziller | | D11/1 |
| D474,418 | S * | 5/2003 | Waldman | | D11/1 |
| D477,781 | S * | 7/2003 | Lavallee | | D9/434 |
| D535,984 | S * | 1/2007 | Lal | | D14/234 |
| D596,747 | S * | 7/2009 | Freeland | | D24/199 |
| 2004/0123625 | A1 * | 7/2004 | Waldman et al. | | 63/12 |

* cited by examiner

Primary Examiner—Robert M Spear

Assistant Examiner—Cynthia Underwood

(74) *Attorney, Agent, or Firm*—Townsend and Townsend and Crew LLP

(57) **CLAIM**

The ornamental design for a bottle ring, as shown and described.

DESCRIPTION

FIG. 1 is a top perspective view of a bottle ring showing my new design;

FIG. 2 is a bottom perspective view thereof;

FIG. 3 is a front elevational view thereof;

FIG. 4 is a rear elevational view thereof;

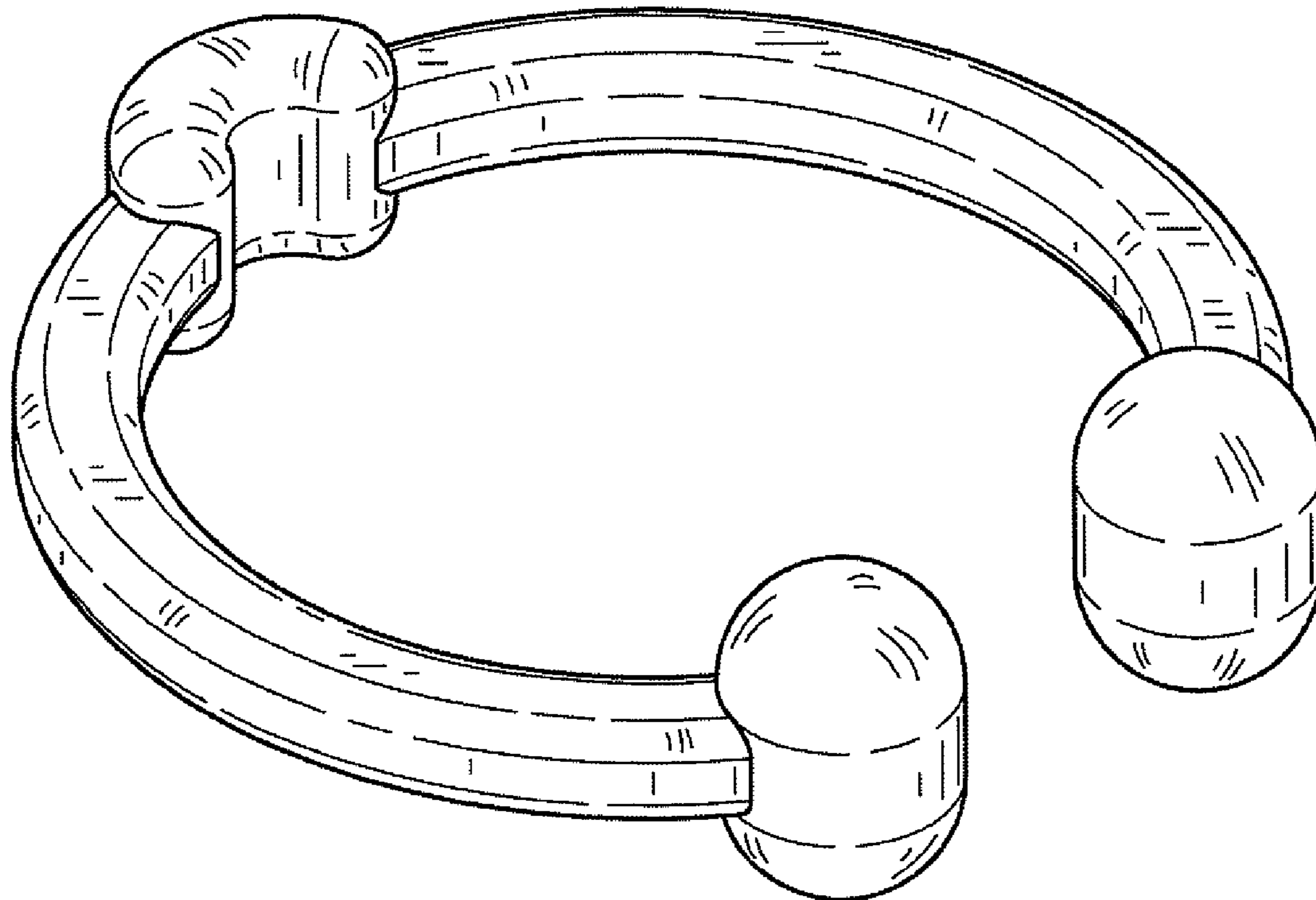
FIG. 5 is a right side elevational view thereof;

FIG. 6 is a left side elevational view thereof; and

FIG. 7 is a top plan view thereof; and,

FIG. 8 is a top plan view thereof.

1 Claim, 5 Drawing Sheets



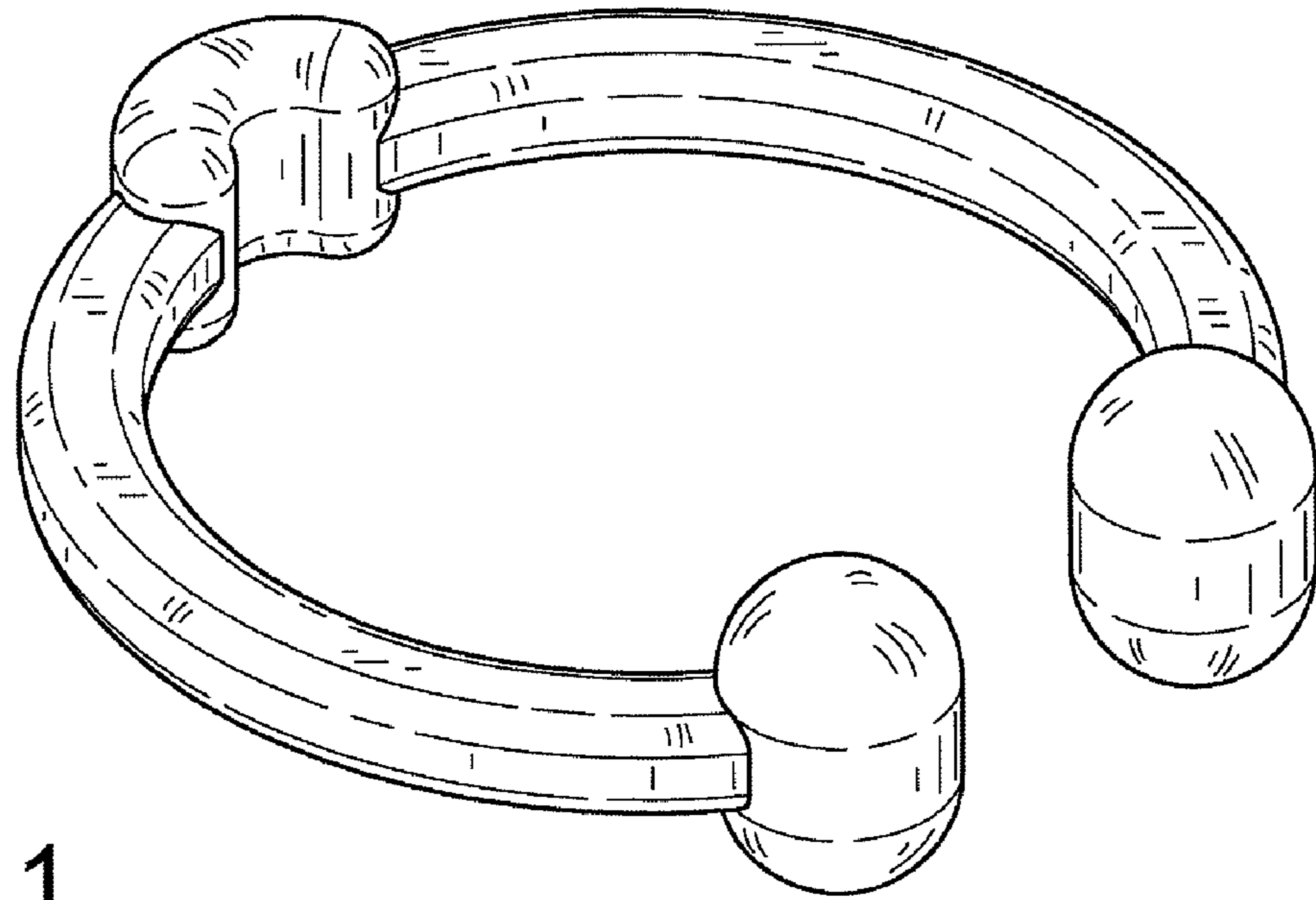


FIG.1

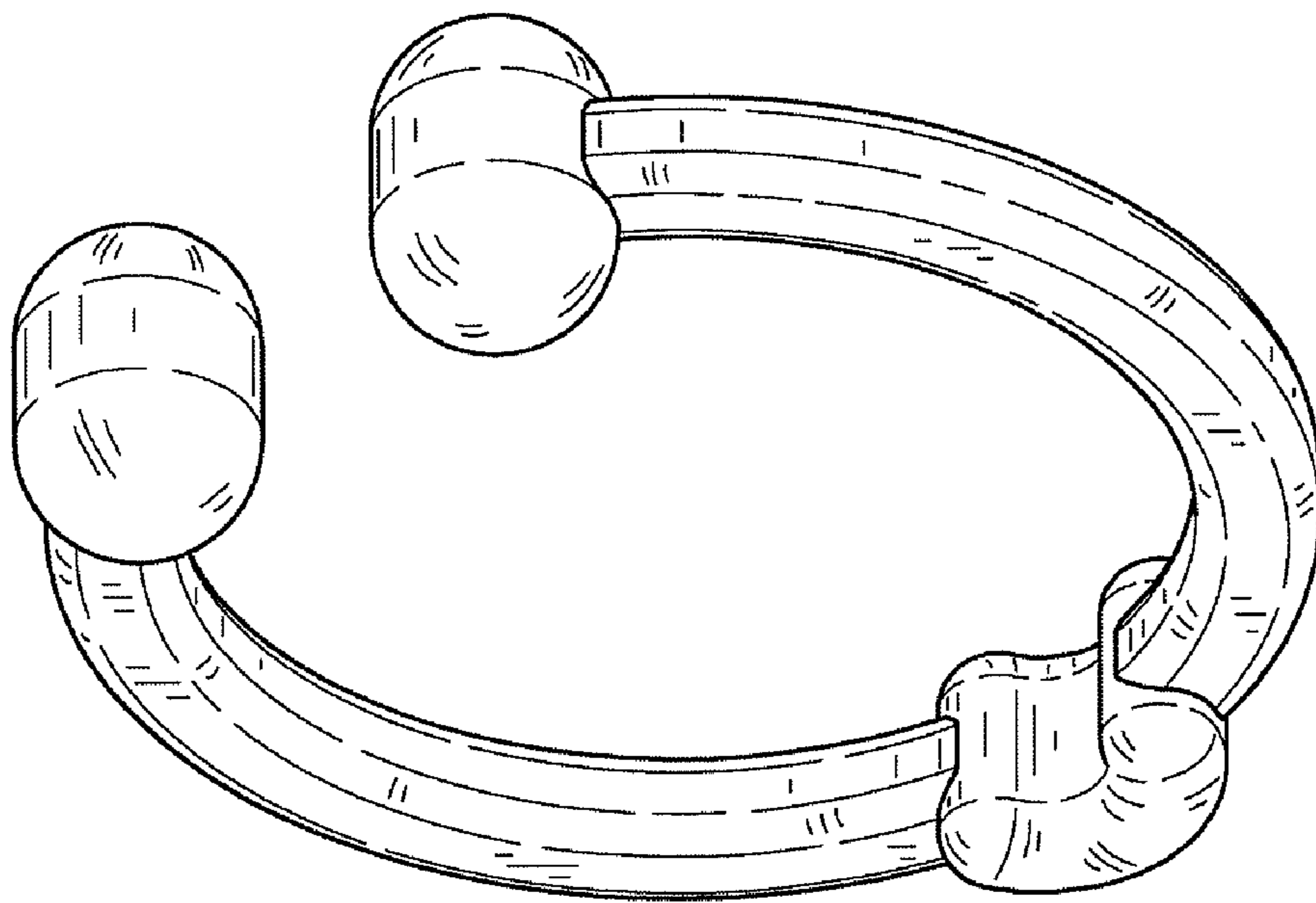


FIG.2

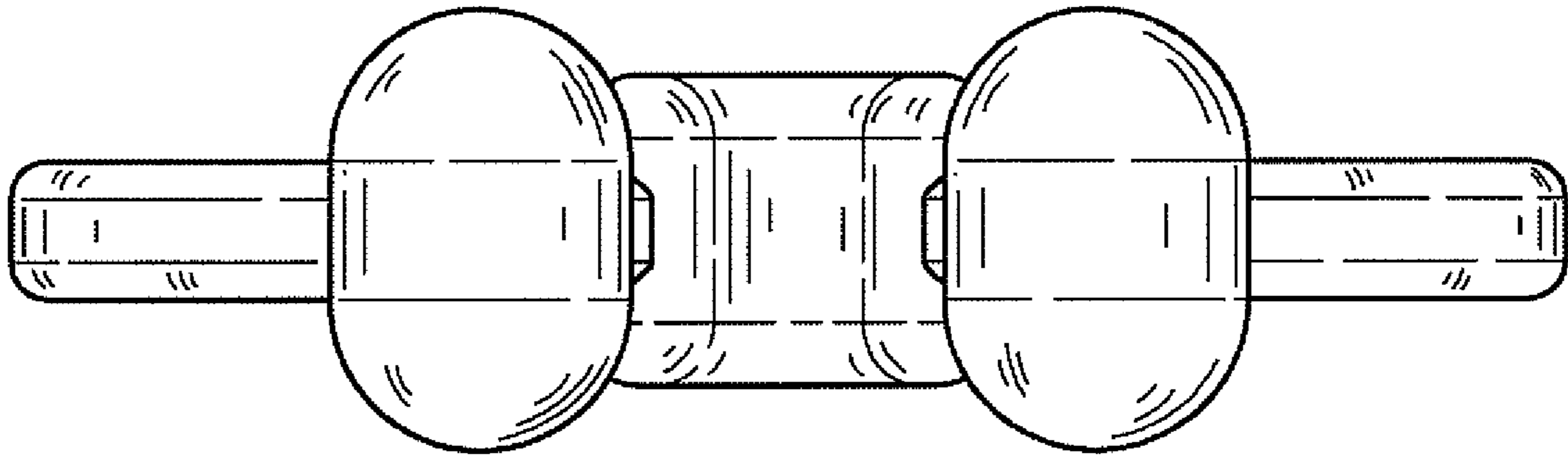


FIG. 3

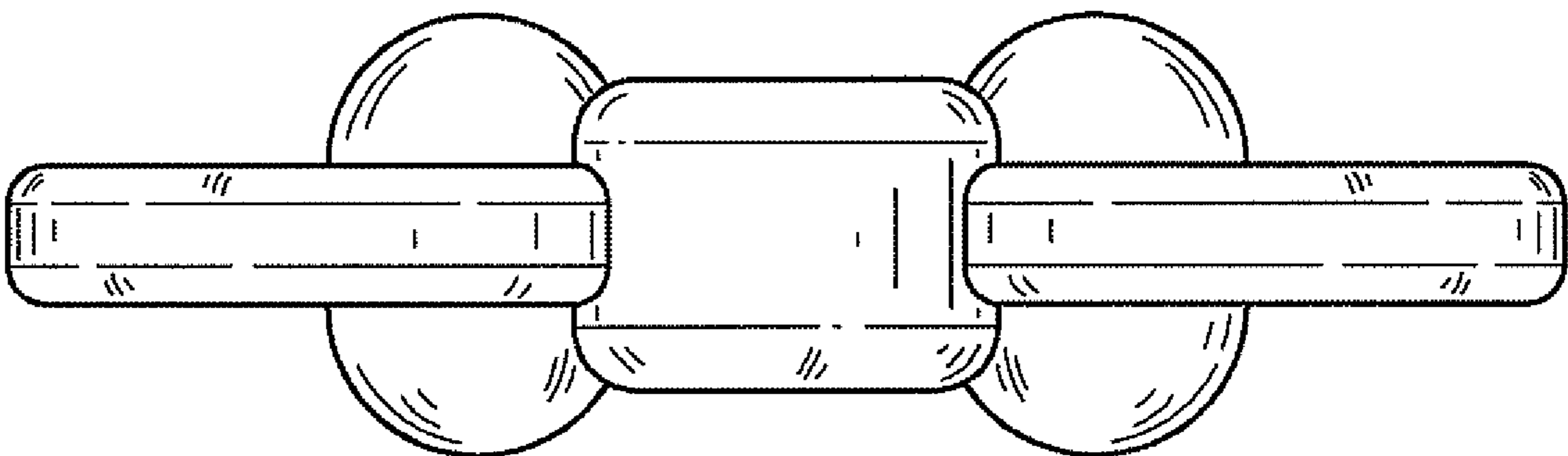


FIG. 4

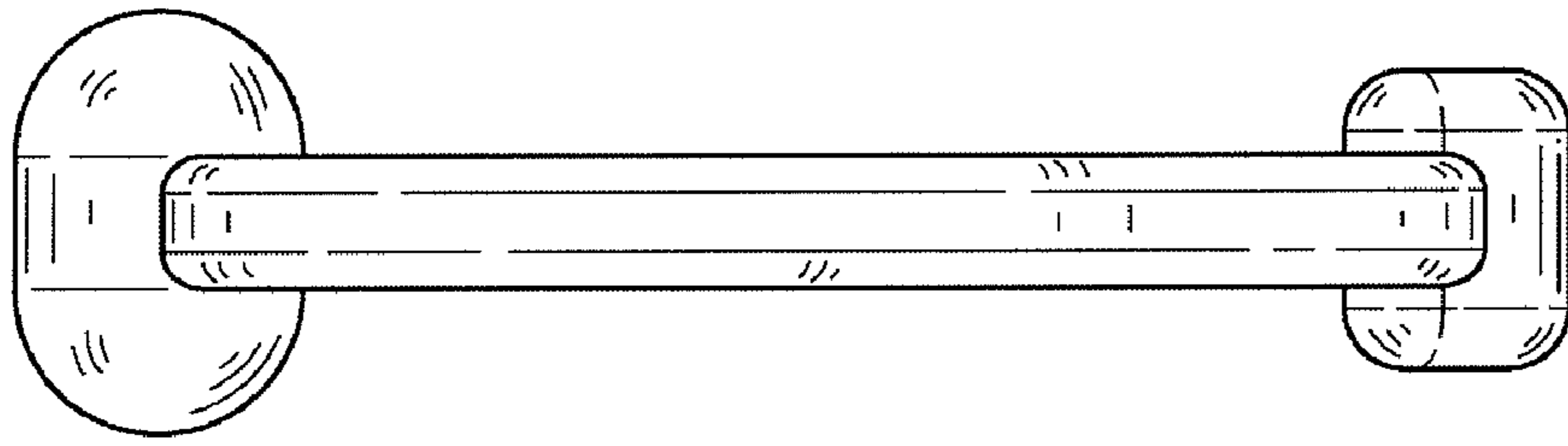


FIG.5

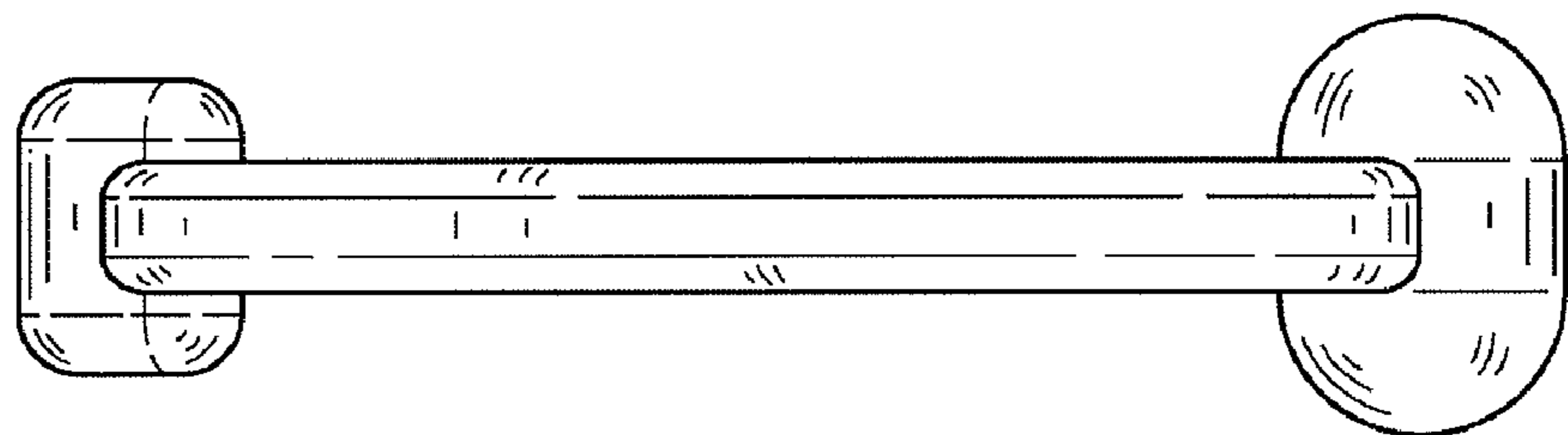


FIG.6

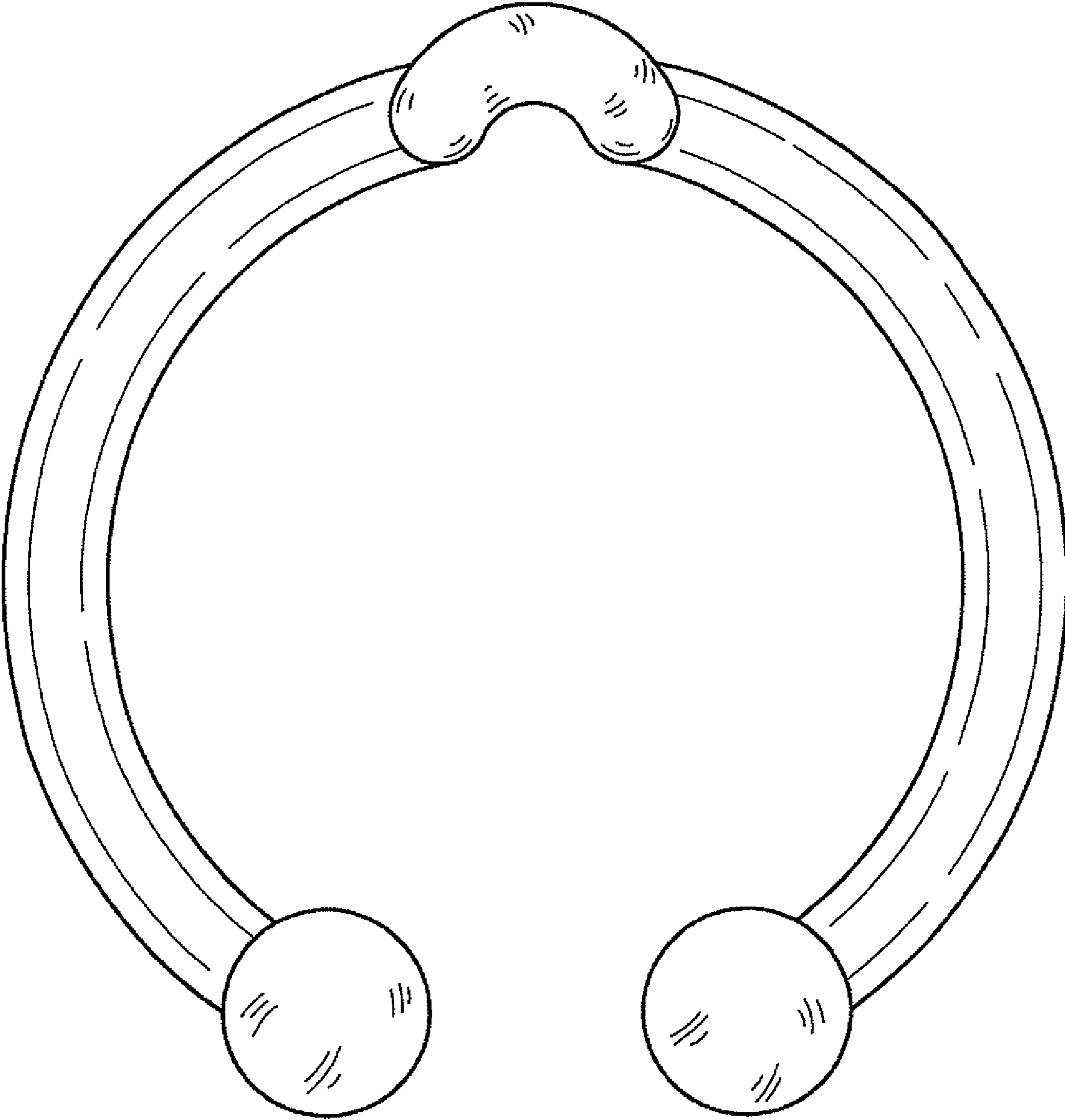


FIG.7

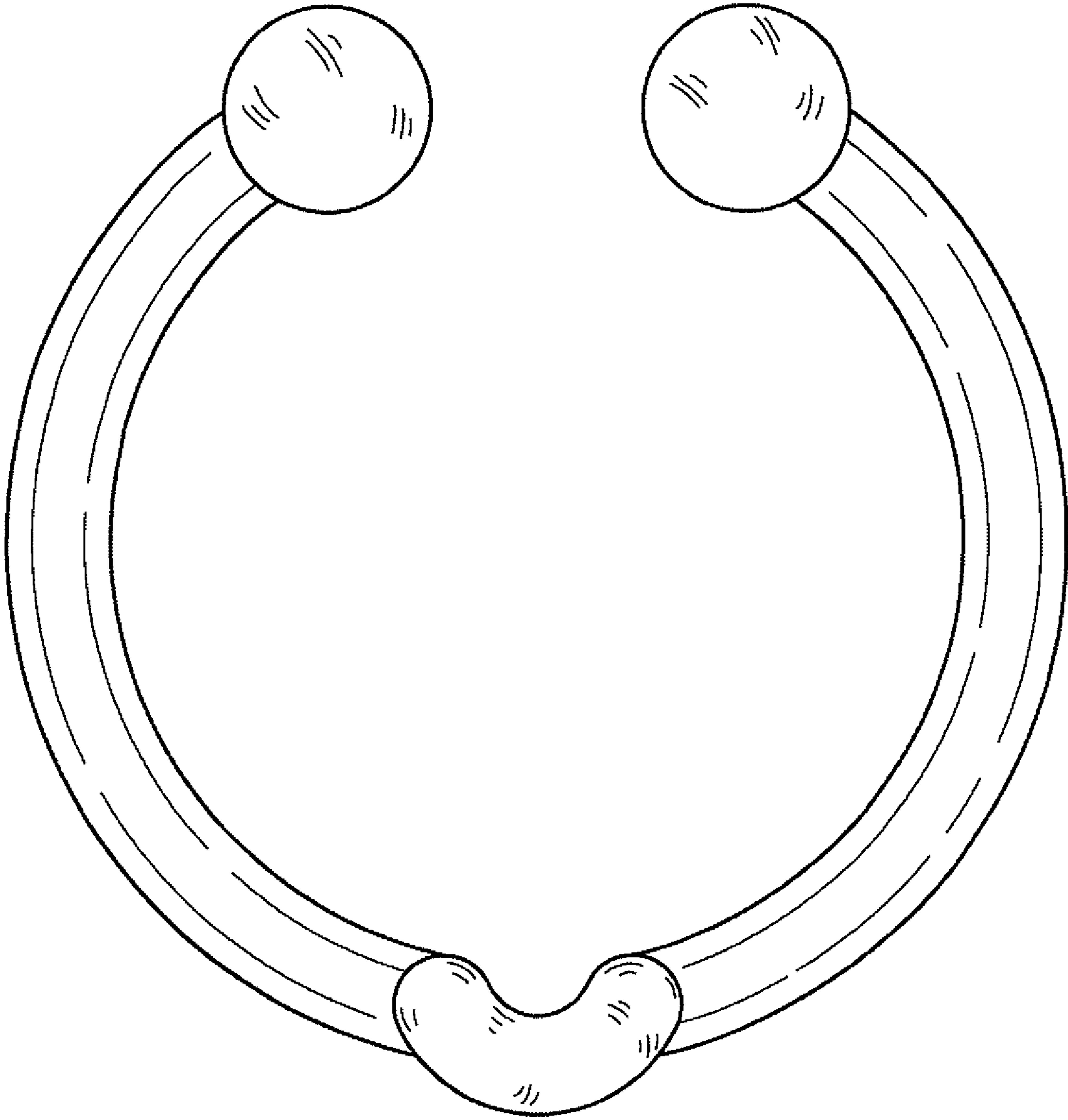


FIG.8