



US00D605462S

(12) **United States Design Patent**  
**Picozza et al.**

(10) **Patent No.:** **US D605,462 S**  
(45) **Date of Patent:** **\*\* Dec. 8, 2009**

(54) **BLENDER**

(75) Inventors: **Augusto Picozza**, Boca Raton, FL (US);  
**Jason Cooper**, Watertown, MA (US);  
**Jan Schminke**, Marshfield, MA (US)

(73) Assignee: **Sunbeam Products, Inc.**, Boca Raton,  
FL (US)

(\*\*) Term: **14 Years**

(21) Appl. No.: **29/338,330**

(22) Filed: **Jun. 9, 2009**

(51) **LOC (9) Cl.** ..... **07-02**

(52) **U.S. Cl.** ..... **D7/386; D7/378**

(58) **Field of Classification Search** ..... D7/306-313,  
D7/317-318, 326, 356, 372-386, 392, 397-399,  
D7/412-415, 665; 99/348, 509-511; 241/30-37.5,  
241/101.01-101.2, 166-169.1, 274-278.2,  
241/285.1-285.3, 291, 292.1; 366/64-67,  
366/98, 192, 197-211, 205-206, 241-254,  
366/279-292, 341-343

See application file for complete search history.

(56) **References Cited**

**U.S. PATENT DOCUMENTS**

D242,208 S \* 11/1976 Madl ..... D7/386  
D337,240 S \* 7/1993 Levin ..... D7/386  
D339,715 S \* 9/1993 Barrault ..... D7/378

D343,547 S \* 1/1994 Levin ..... D7/386  
D526,531 S \* 8/2006 Drees et al. .... D7/378  
D533,395 S \* 12/2006 Drees et al. .... D7/378  
D552,419 S \* 10/2007 Picozza et al. .... D7/412  
D553,904 S \* 10/2007 Romandy ..... D7/378  
D577,537 S \* 9/2008 Lee ..... D7/386  
D587,961 S \* 3/2009 Lavy ..... D7/378

\* cited by examiner

*Primary Examiner*—Caron Veynar

*Assistant Examiner*—Ricky Pham

(74) *Attorney, Agent, or Firm*—Seth M. Blum

(57) **CLAIM**

The ornamental design for a blender, as shown and described.

**DESCRIPTION**

FIG. 1 is a top left perspective view of the blender showing the new design;

FIG. 2 is a front elevation view thereof;

FIG. 3 is a back elevation view thereof;

FIG. 4 is a left side elevation thereof;

FIG. 5 is a left side elevation thereof; and,

FIG. 6 is a top plan view thereof.

The broken lines in the drawings are for illustrative purposes only and form no part of the claimed design.

**1 Claim, 3 Drawing Sheets**

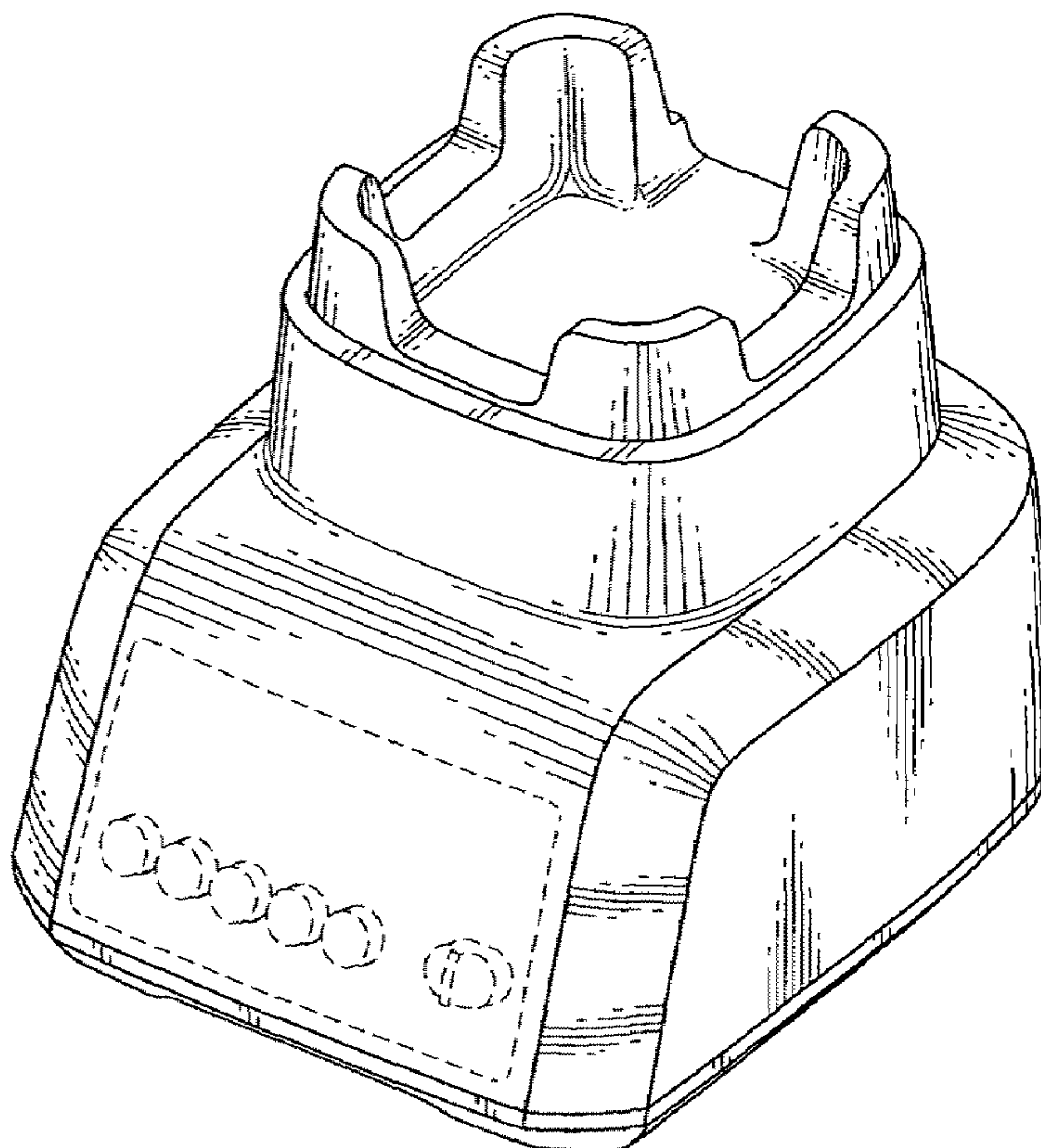


FIG. 1

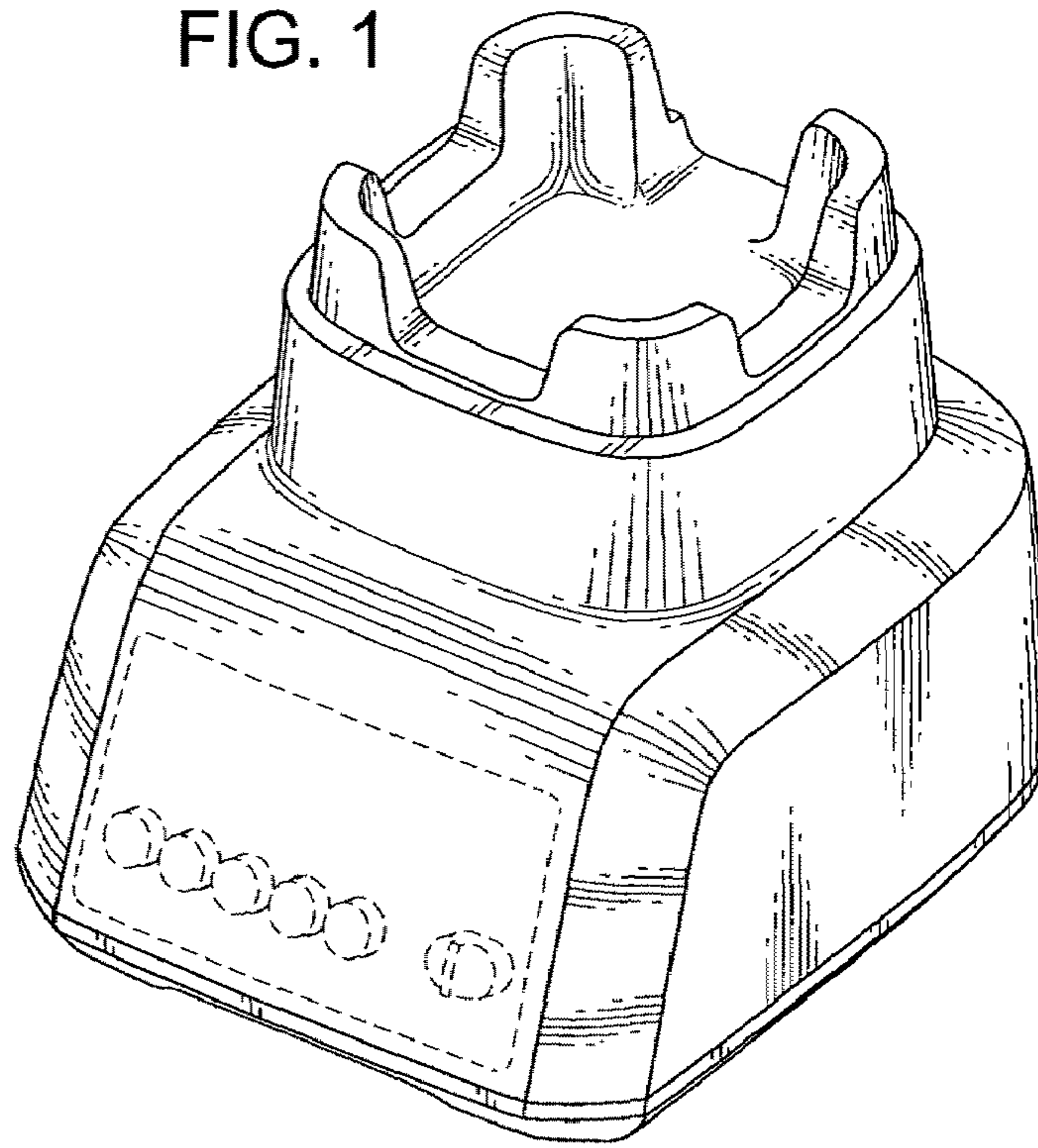


FIG. 2

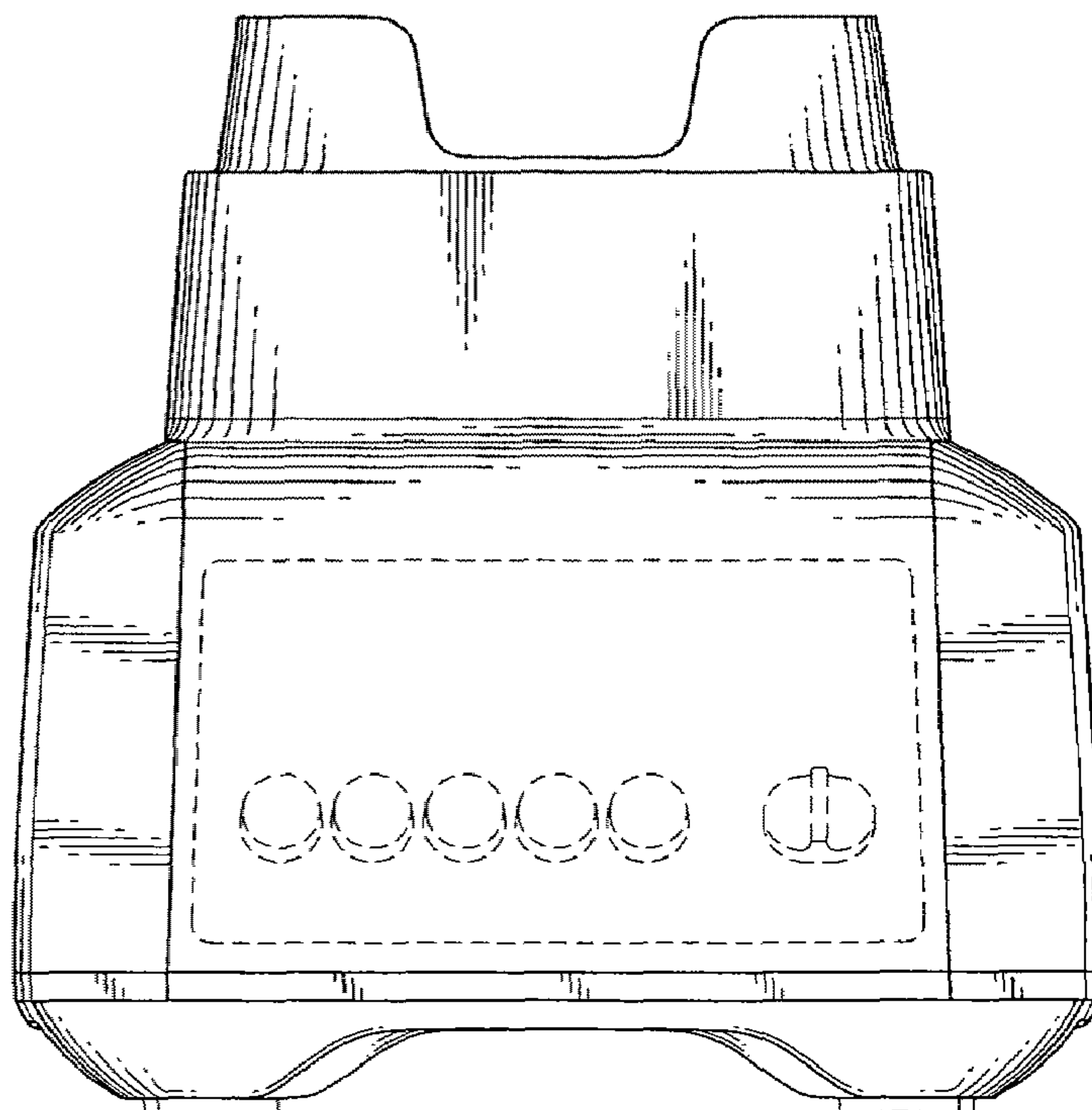


FIG. 3

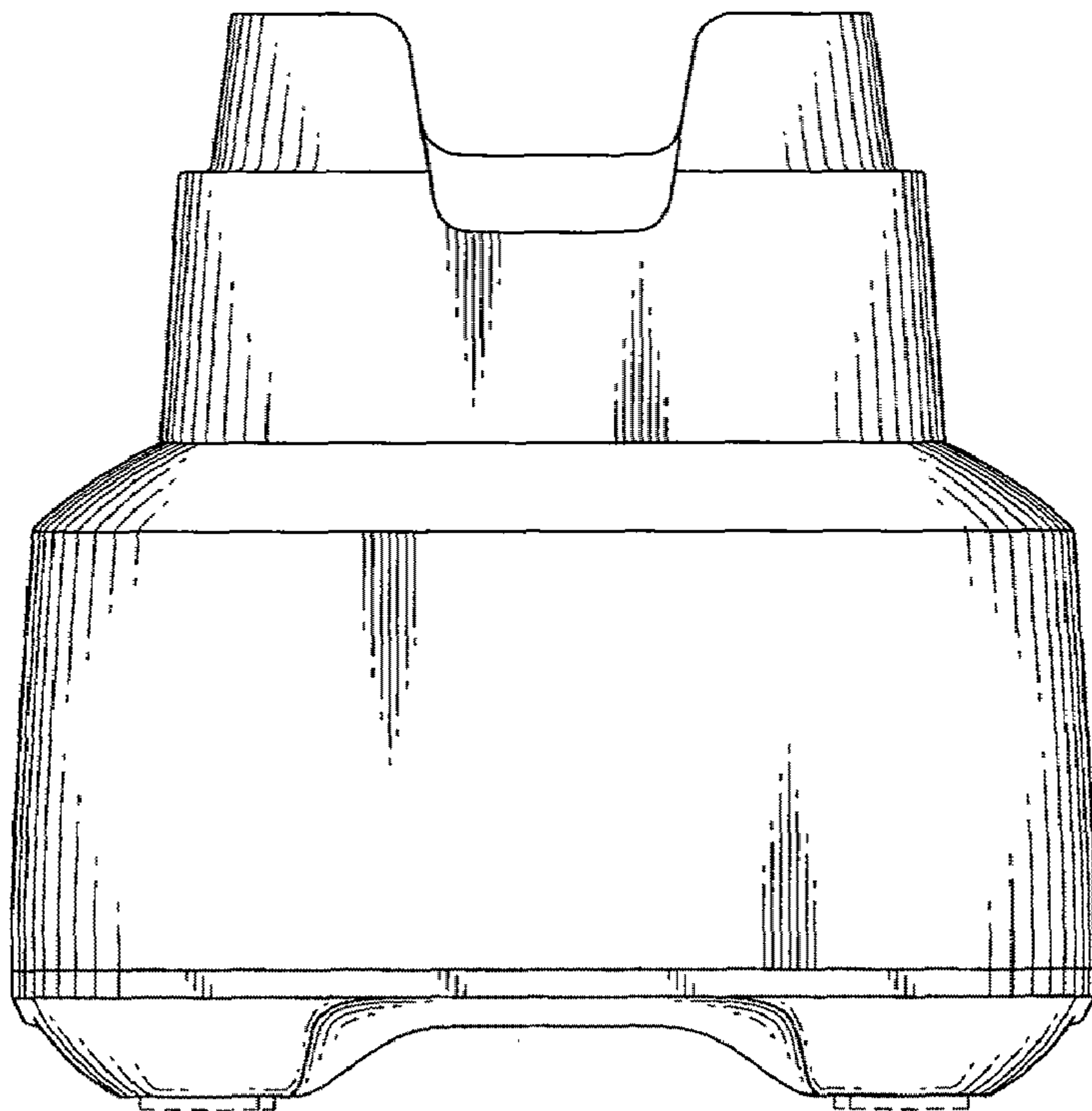


FIG. 4

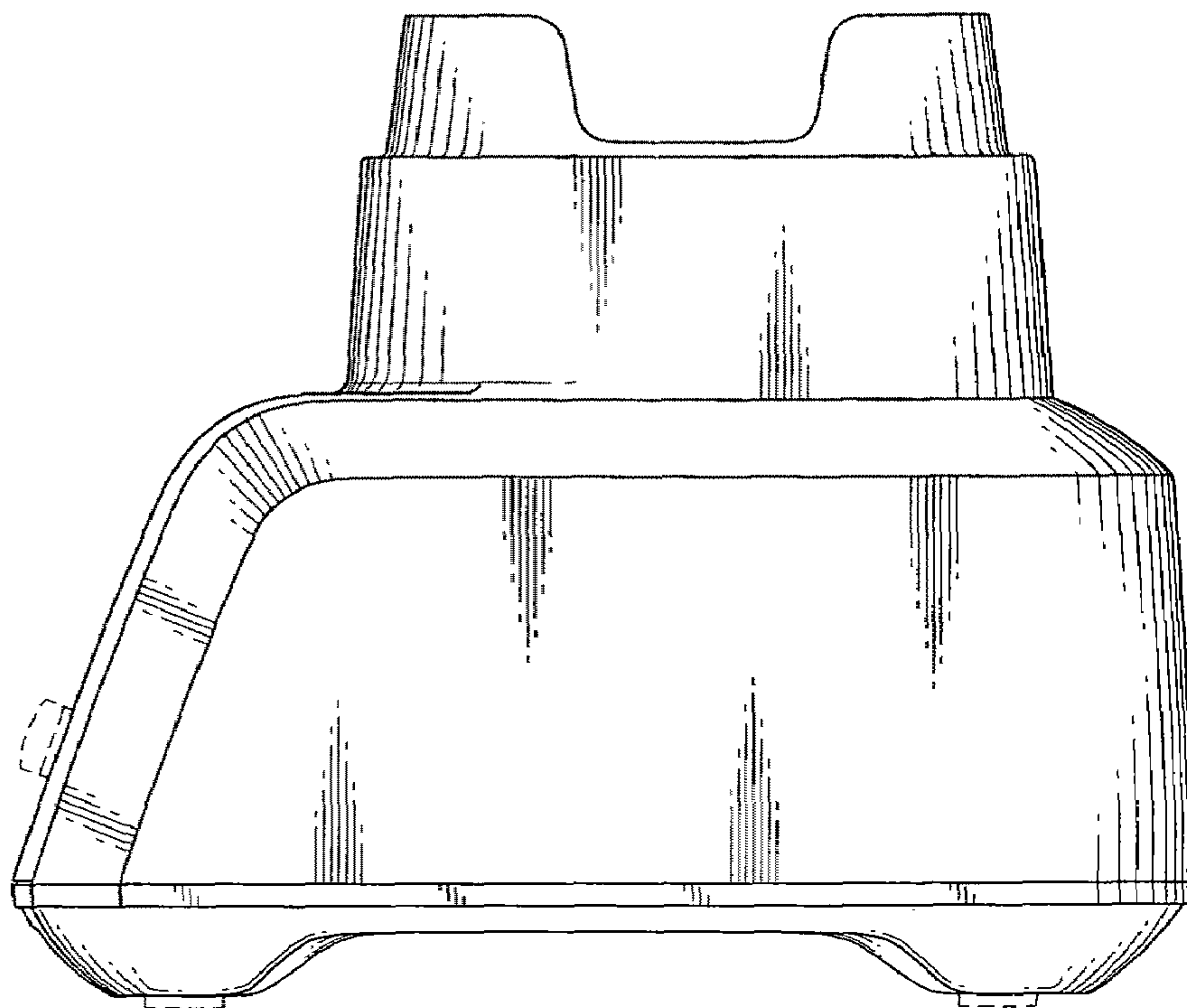




FIG. 5

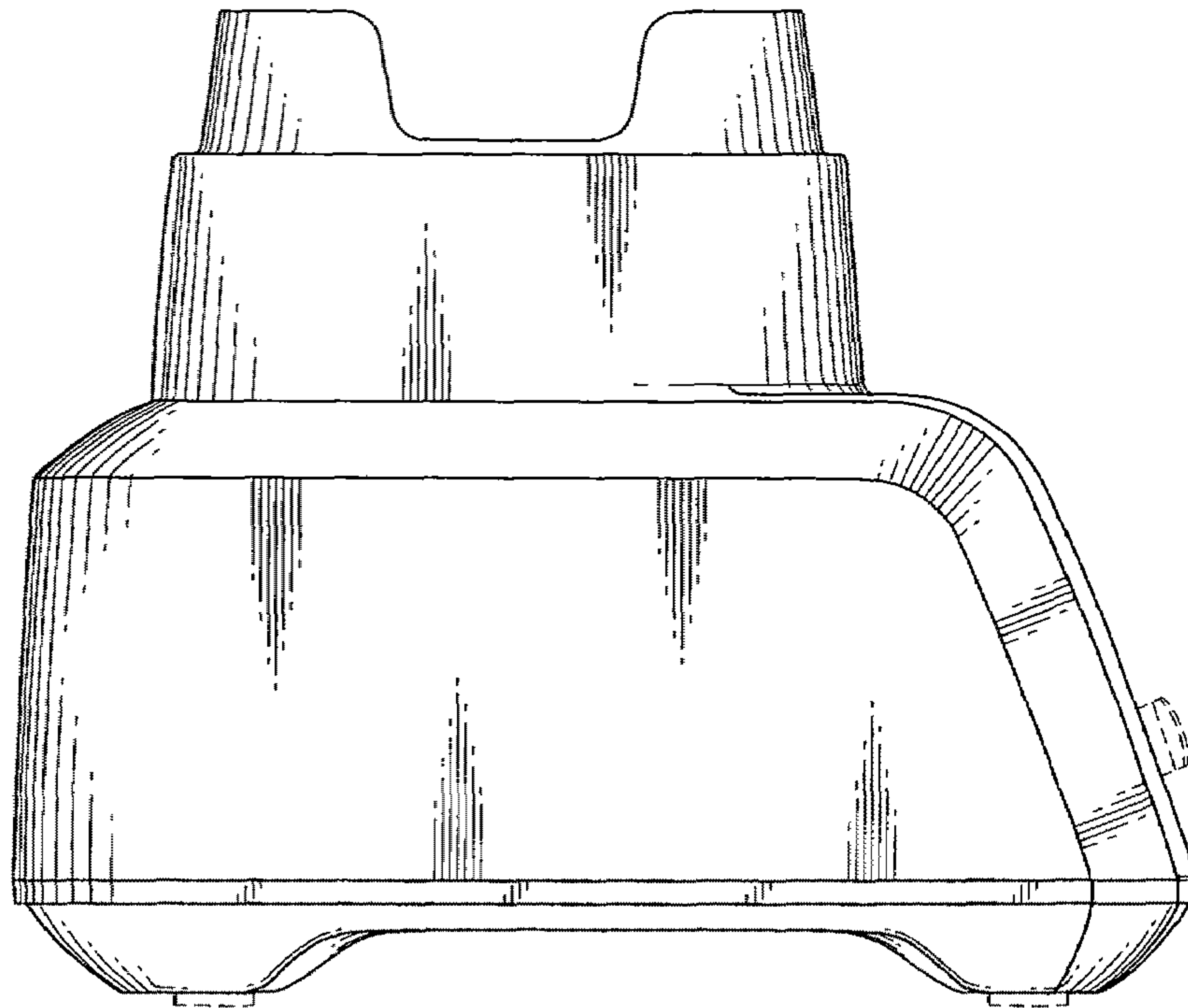


FIG. 6

