

US00D605461S

(12) **United States Design Patent**
Picozza et al.

(10) **Patent No.:** **US D605,461 S**
(45) **Date of Patent:** **** Dec. 8, 2009**

(54) **BLENDER**

D478,468 S * 8/2003 Holderfield et al. D7/386
D553,425 S * 10/2007 Steiner et al. D7/378

(75) Inventors: **Augusto Picozza**, Boca Raton, FL (US);
Jason Cooper, Watertown, MA (US);
Jan Schminke, Marshfield, MA (US)

* cited by examiner

(73) Assignee: **Sunbeam Products, Inc.**, Boca Raton,
FL (US)

Primary Examiner—Caron Veynar
Assistant Examiner—Ricky Pham
(74) *Attorney, Agent, or Firm*—Seth M. Blum

(**) Term: **14 Years**

(21) Appl. No.: **29/338,317**

(57) **CLAIM**

(22) Filed: **Jun. 9, 2009**

The ornamental design for a blender, as shown and described.

(51) **LOC (9) Cl.** **07-02**

DESCRIPTION

(52) **U.S. Cl.** **D7/386; D7/378**

(58) **Field of Classification Search** D7/306–313,
D7/317–318, 326, 356, 372–386, 392, 397–399,
D7/412–415, 665; 99/348, 509–511; 241/30–37.5,
241/101.01–101.2, 166–169.1, 274–278.2,
241/285.1–285.3, 291, 292.1; 366/64–67,
366/98, 192, 197–211, 205–206, 241–254,
366/279–292, 341–343

FIG. 1 is a top left perspective view of the blender showing the new design;

FIG. 2 is a front elevation view thereof;

FIG. 3 is a back elevation view thereof;

FIG. 4 is a right side elevation thereof;

FIG. 5 is a left side elevation thereof; and,

FIG. 6 is a top plan view thereof.

See application file for complete search history.

The broken lines in the drawings are for illustrative purposes only and form no part of the claimed design.

(56) **References Cited**

U.S. PATENT DOCUMENTS

D176,257 S * 12/1955 Hill D7/386
D187,684 S * 4/1960 Hauser D7/386

1 Claim, 3 Drawing Sheets

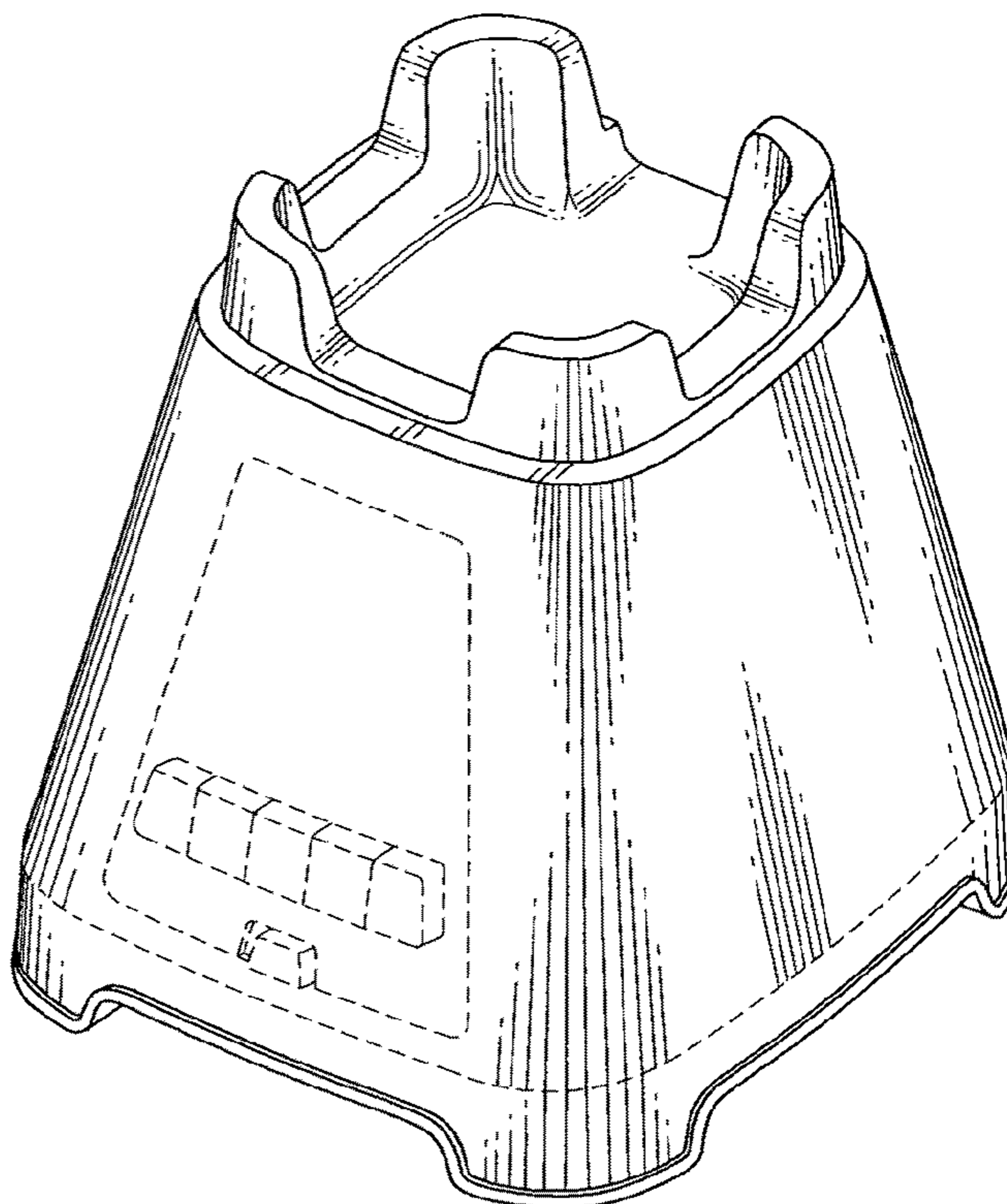


FIG. 1

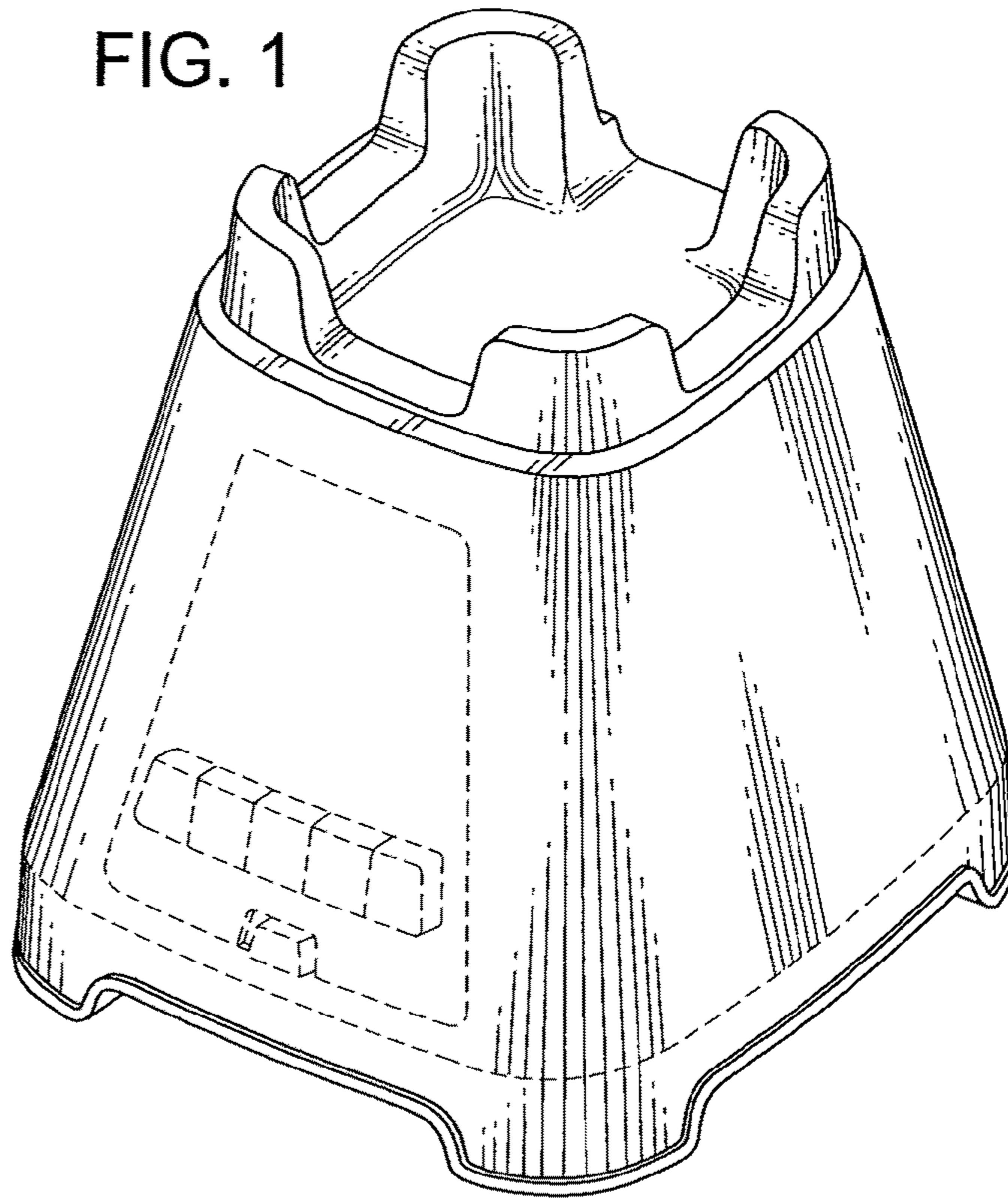


FIG. 2

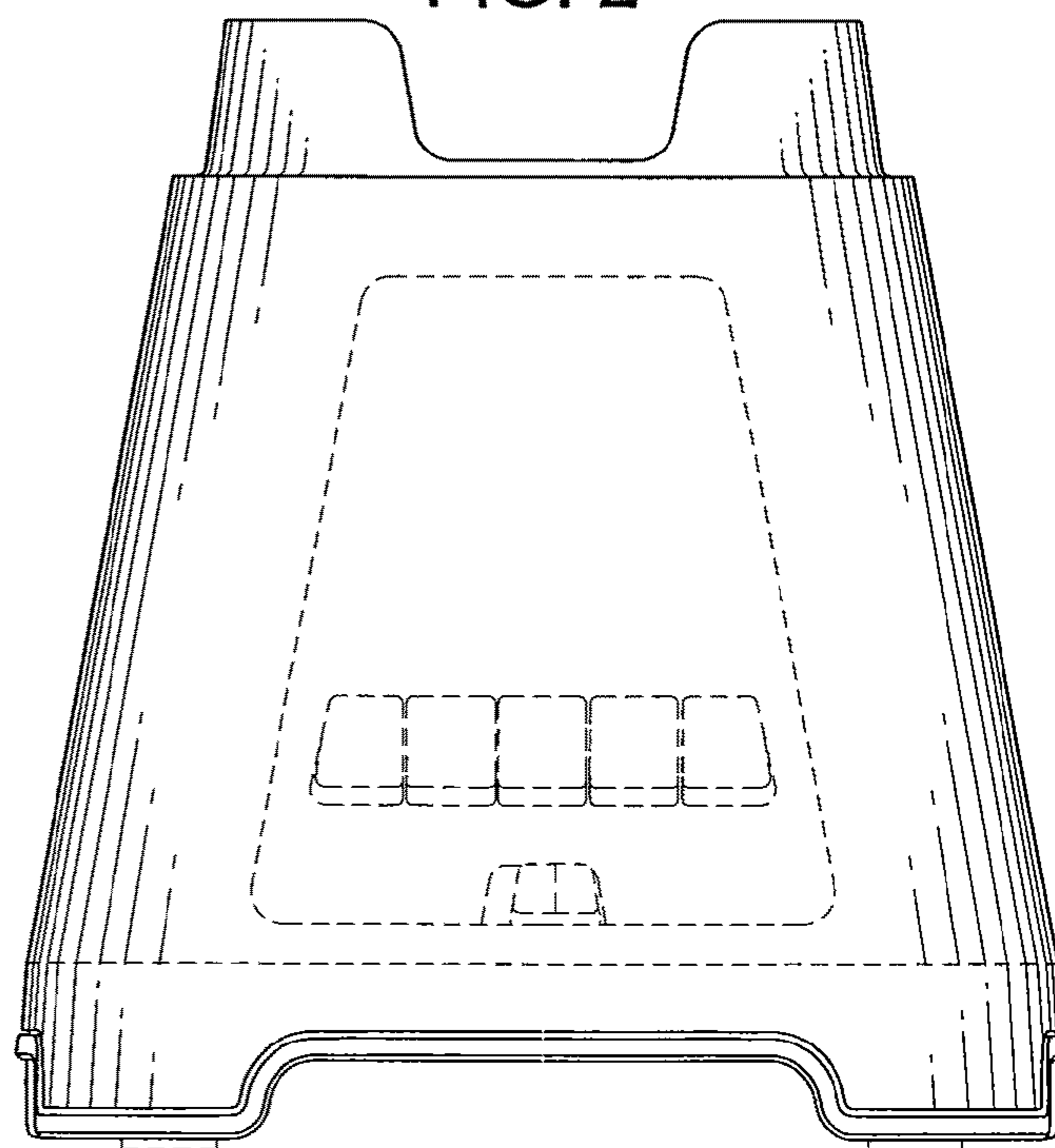


FIG. 3

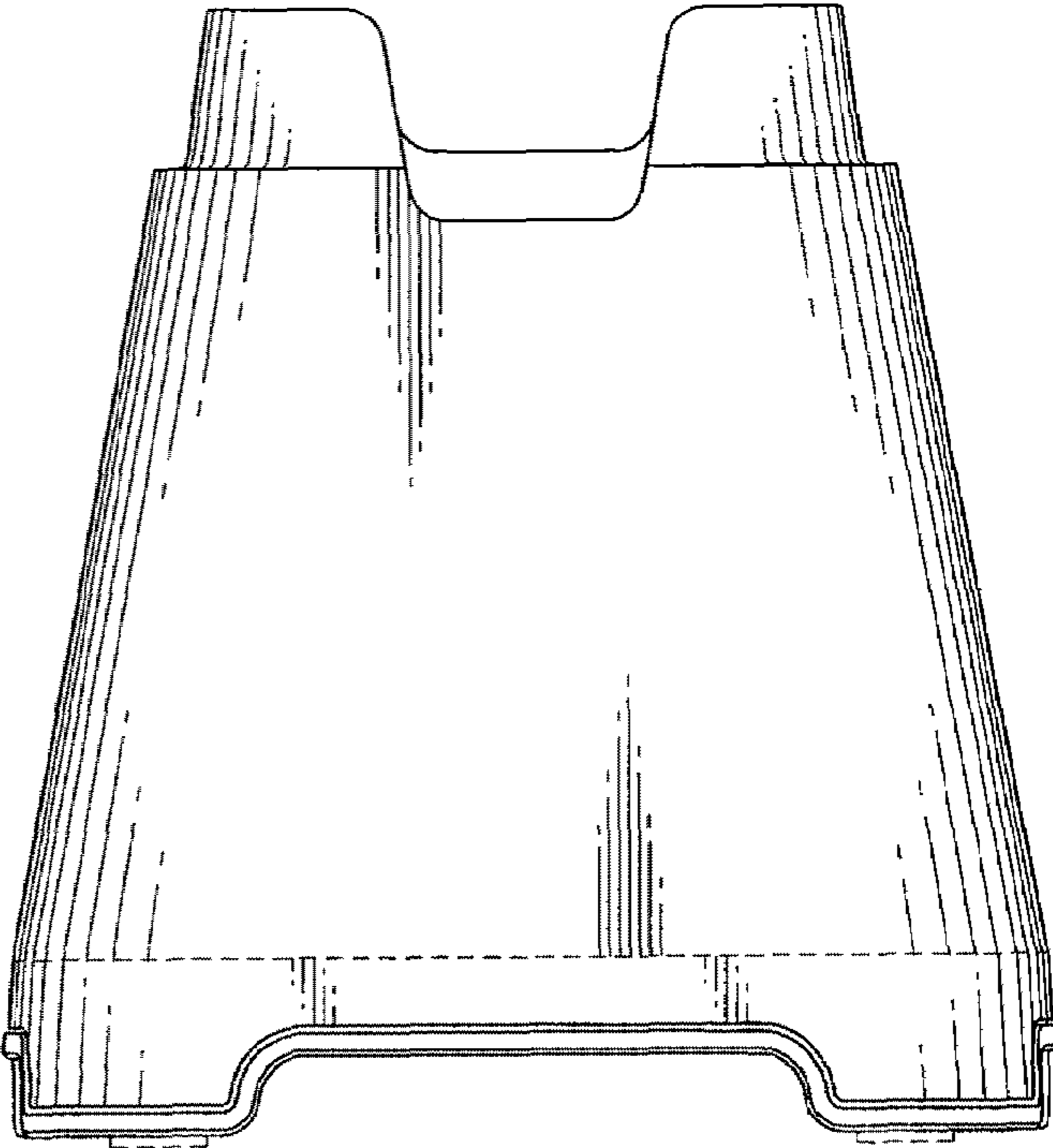


FIG. 4

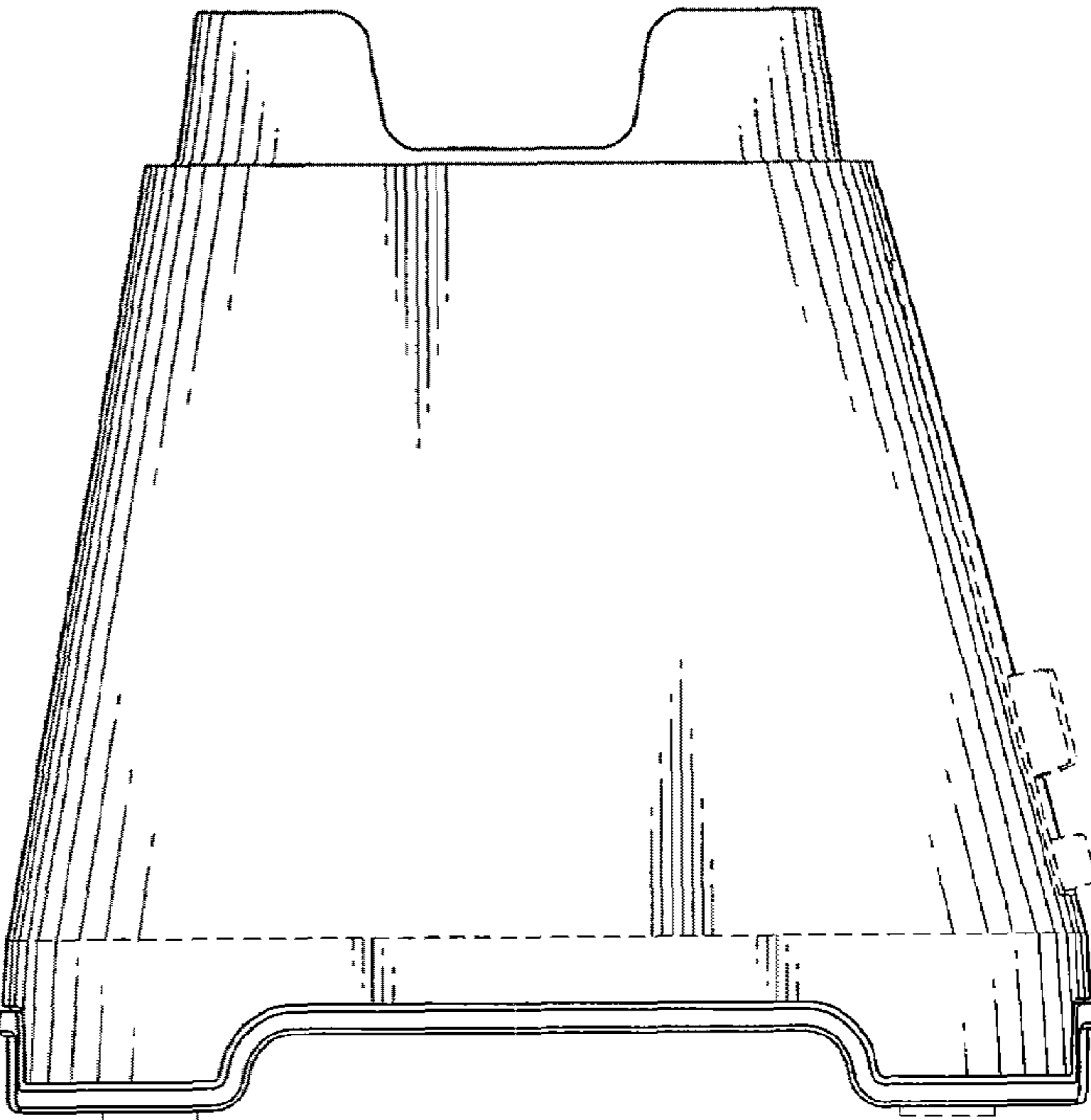


FIG. 5

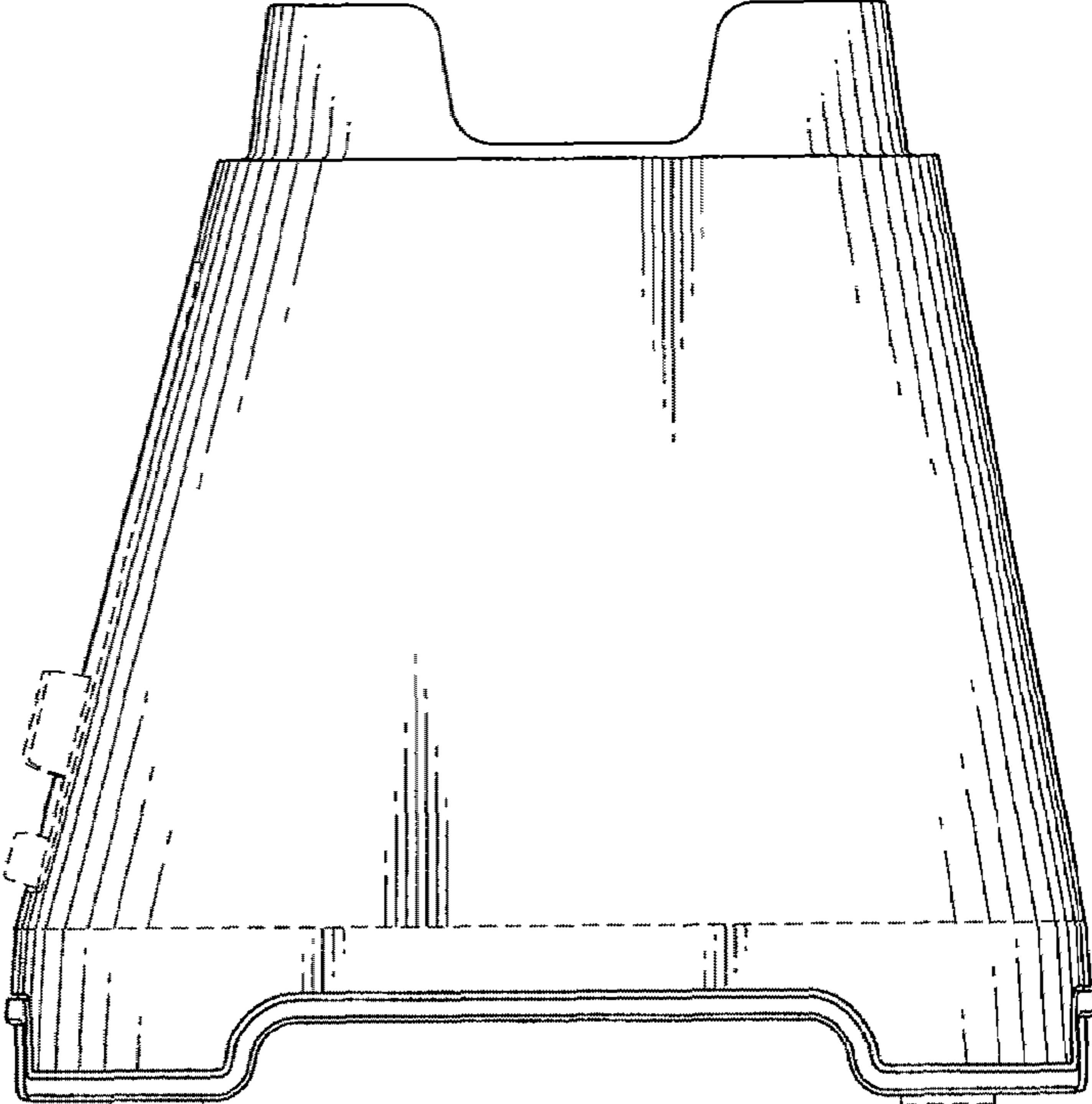


FIG. 6

