



US00D605460S

(12) **United States Design Patent**
White, Sr.

(10) **Patent No.:** **US D605,460 S**

(45) **Date of Patent:** **** Dec. 8, 2009**

(54) **TORTILLA GRILL**

(75) Inventor: **Jeffrey R. White, Sr.**, Riverbank, CA
(US)

(73) Assignee: **Señor Blanco, LLC**, Riverbank, CA
(US)

(**) Term: **14 Years**

(21) Appl. No.: **29/314,410**

(22) Filed: **Mar. 26, 2009**

(51) **LOC (9) Cl.** **07-02**

(52) **U.S. Cl.** **D7/361; D7/409**

(58) **Field of Classification Search** D7/323,
D7/354-363, 388, 390, 402, 404, 407, 409,
D7/554.3, 674, 698; 16/429; 99/324, 394,
99/402, 421 A, 421 H, 421 HH, 421 R, 422-427,
99/449-450; 211/85.4; 220/485, 491-494,
220/500, 507, 573.1, 752, 759, 769, 912;
294/33

See application file for complete search history.

(56) **References Cited**

U.S. PATENT DOCUMENTS

547,593 A * 10/1895 Wagoner 99/394
639,150 A * 12/1899 Cooney 99/450

1,463,541 A * 7/1923 Andrews, Jr. 16/429
D210,143 S * 2/1968 Skinner D7/674

* cited by examiner

Primary Examiner—Caron Veynar

Assistant Examiner—Ricky Pham

(74) *Attorney, Agent, or Firm*—Heisler & Associates

(57) **CLAIM**

The ornamental design for a tortilla grill, as shown and described.

DESCRIPTION

FIG. 1 is a perspective view of a tortilla grill.

FIG. 2 is a top plan view of the invention.

FIG. 3 is a left side view of the invention, the right side view being a mirror image.

FIG. 4 is a rear elevation view of the invention.

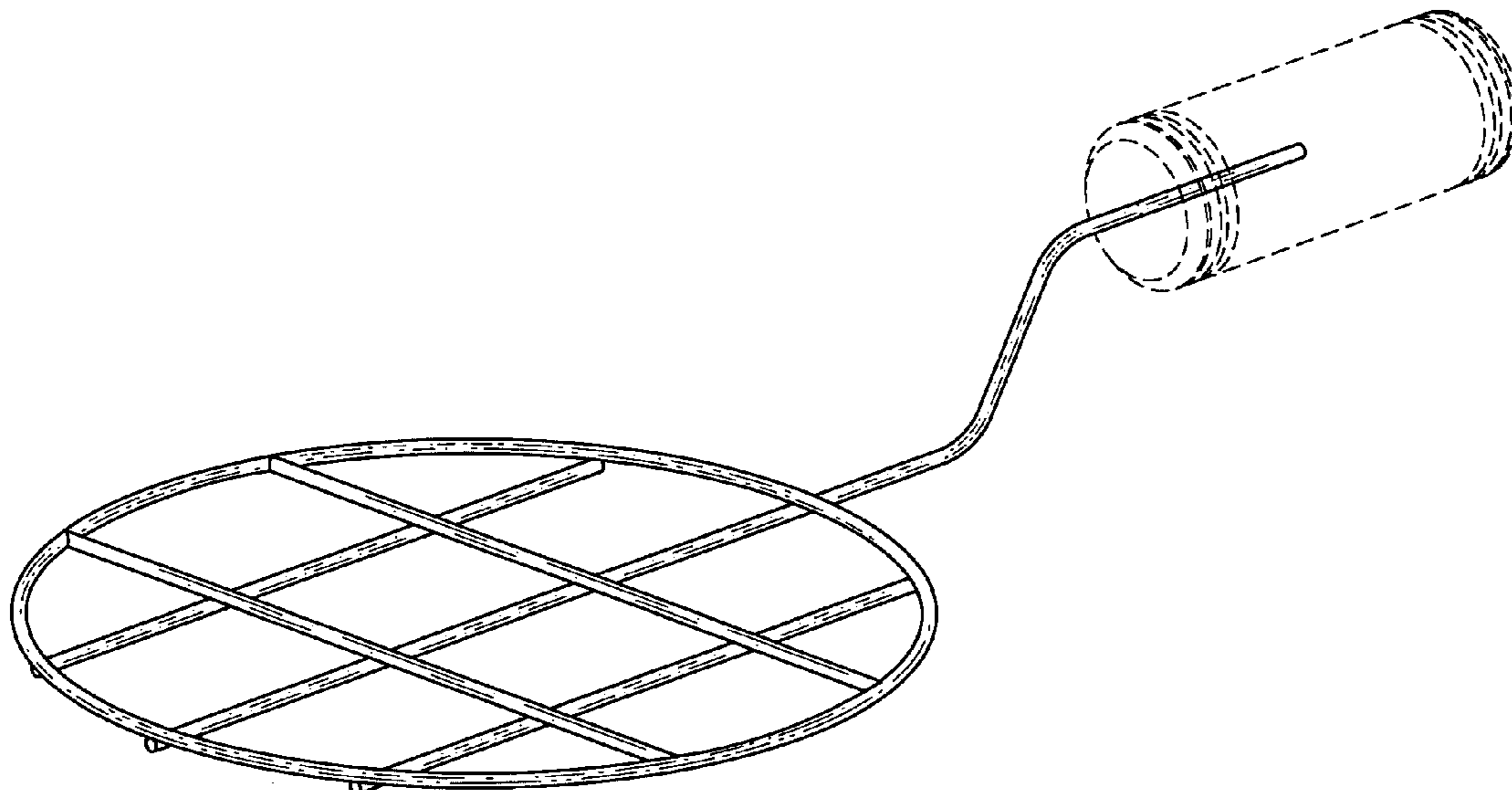
FIG. 5 is a front elevation view of the invention.

FIG. 6 is a bottom plan view of the invention; and,

FIG. 7 is a perspective view of the invention in use on a barbecue, illustrating one example of the use of the invention.

The broken lines in FIGS. 1, 2, 5 and 7 are for purposes of illustration only and form no part of the claimed design.

1 Claim, 3 Drawing Sheets



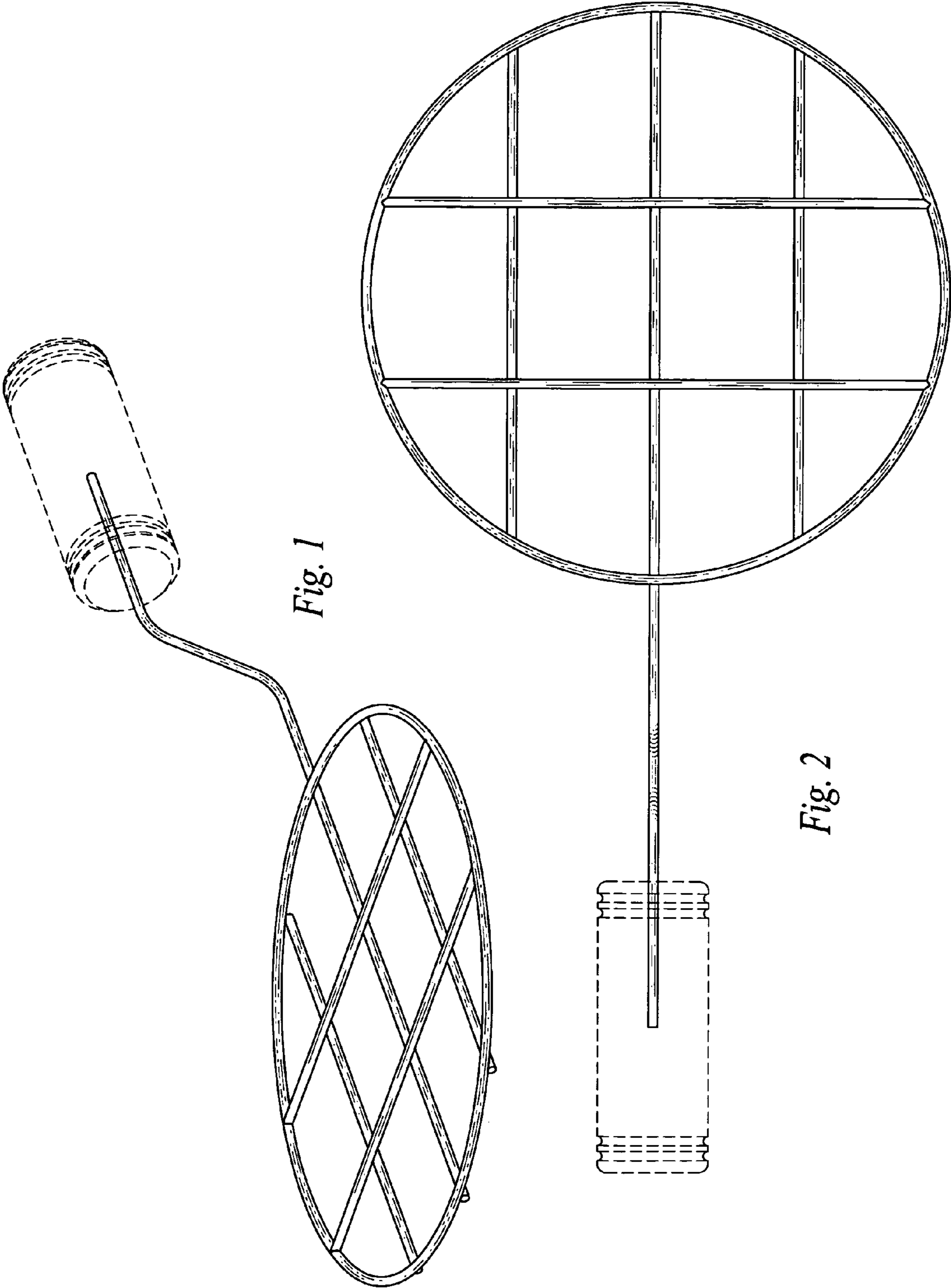


Fig. 1

Fig. 2

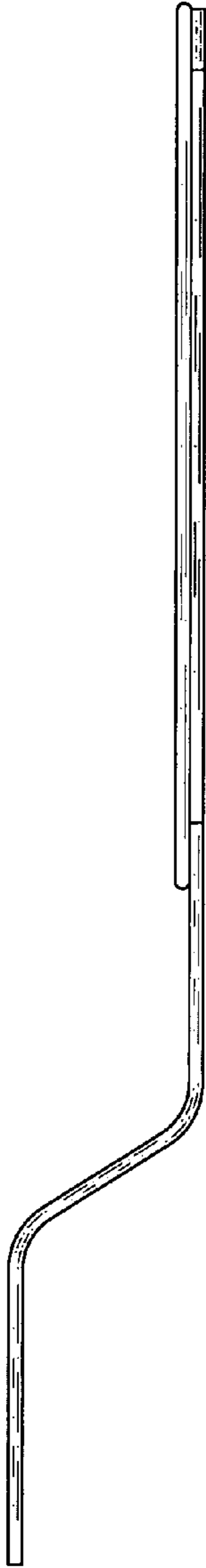


Fig. 3

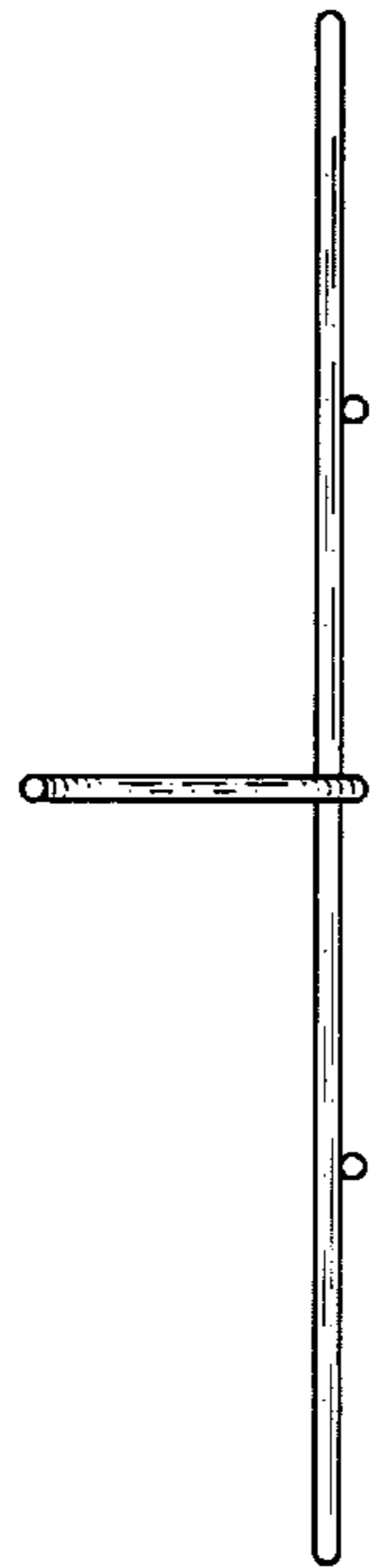


Fig. 4

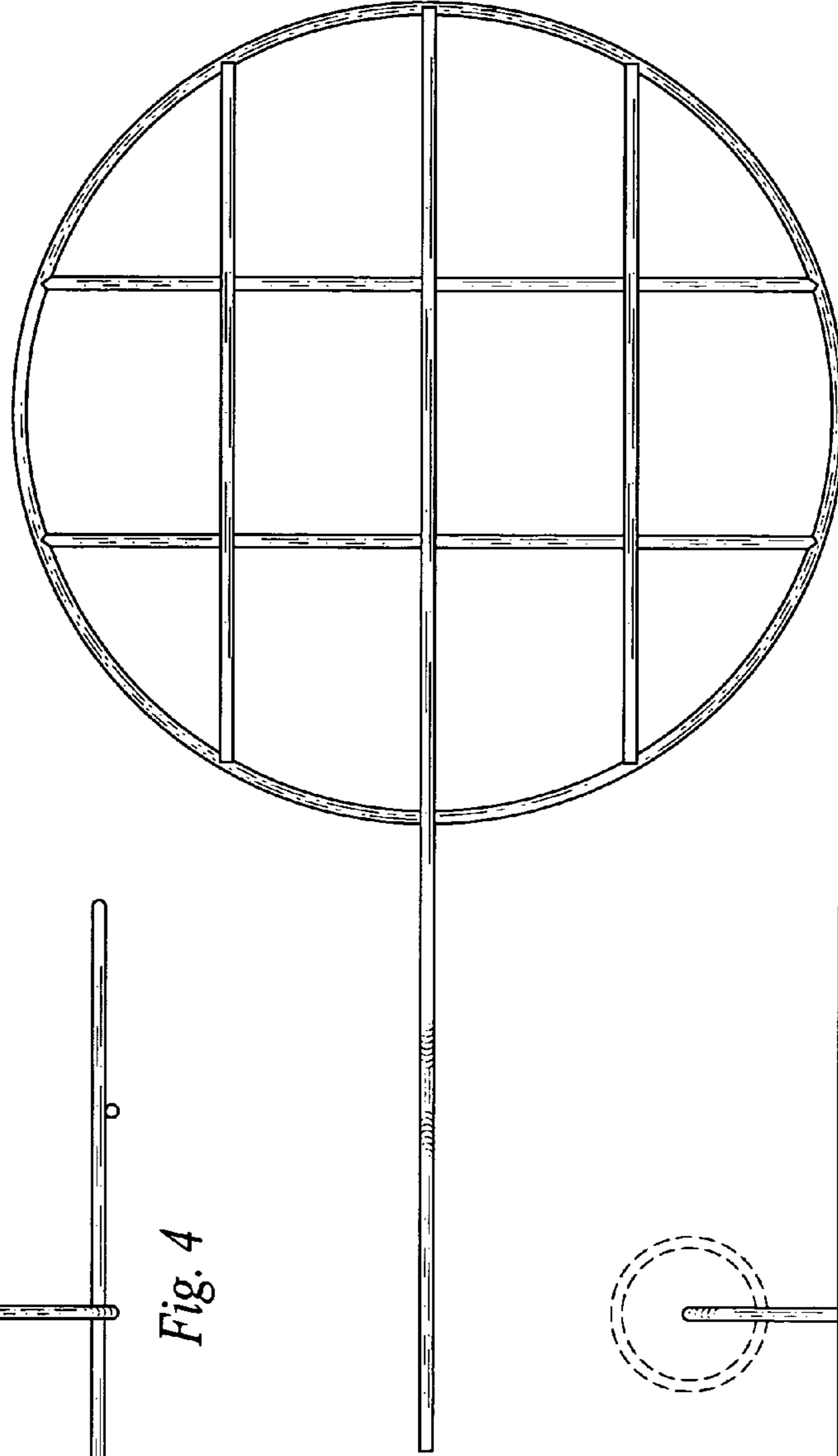


Fig. 6

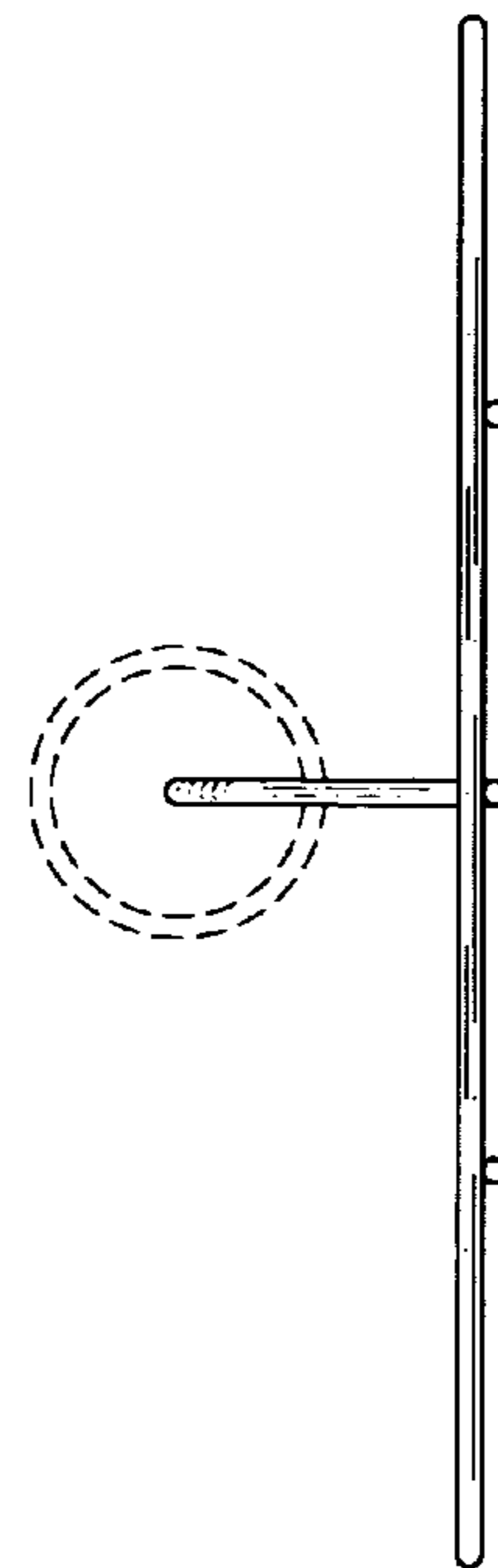


Fig. 5

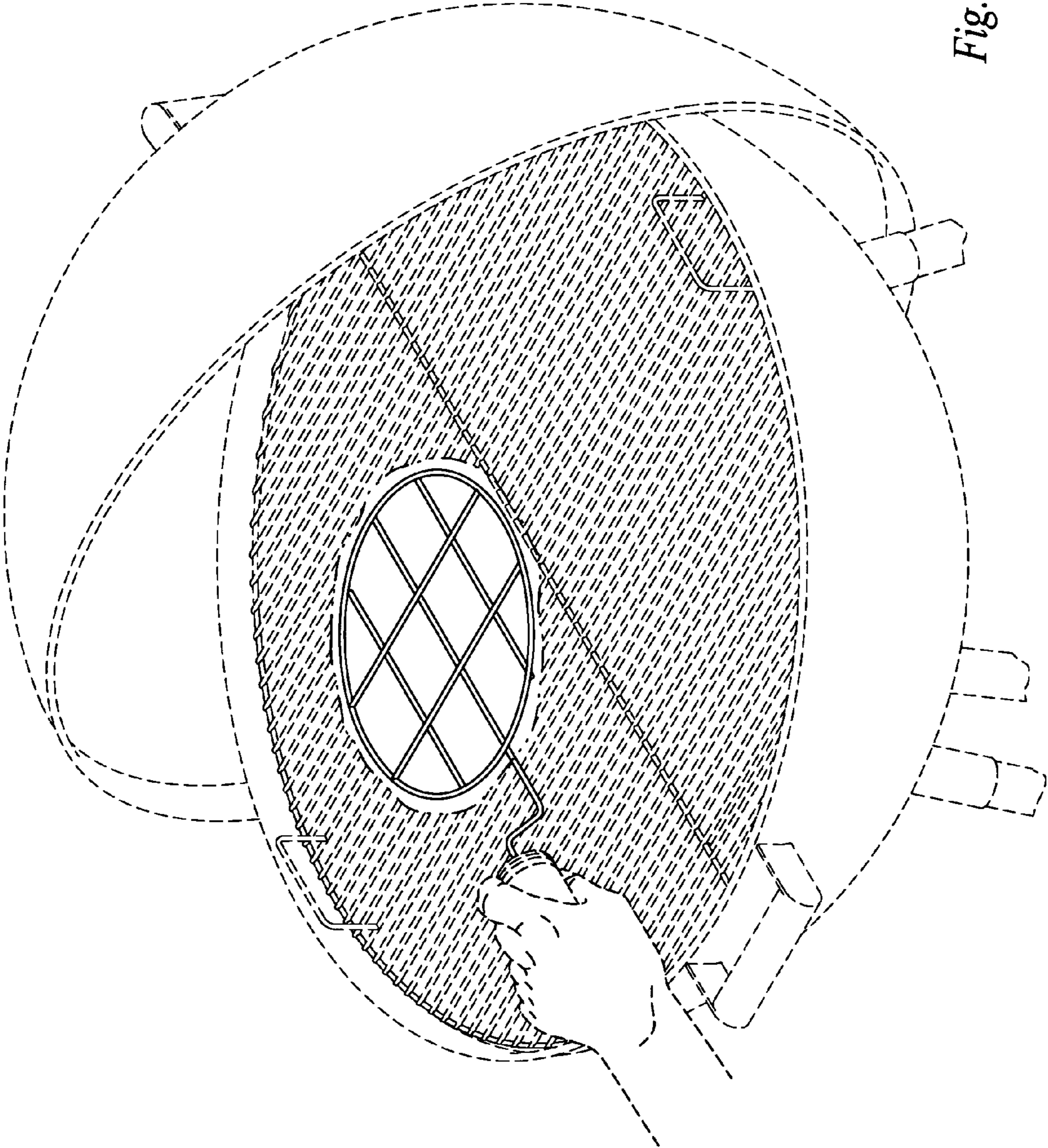


Fig. 7