



US00D605445S

(12) **United States Design Patent**  
**De Bonis**

(10) **Patent No.:** **US D605,445 S**

(45) **Date of Patent:** **\*\* Dec. 8, 2009**

(54) **SOAP DISH**

(75) Inventor: **Michèle De Bonis**, Heusden-Zolder (BE)

(73) Assignee: **Brabantia Nederland B.V.**,  
Valkenswaard (NL)

(\*\*) Term: **14 Years**

(21) Appl. No.: **29/315,739**

(22) Filed: **Jul. 16, 2009**

(30) **Foreign Application Priority Data**

Jun. 12, 2009 (EM) ..... 001545955-0001

(51) **LOC (9) Cl.** ..... **23-02**

(52) **U.S. Cl.** ..... **D6/540**

(58) **Field of Classification Search** ..... D6/529,  
D6/536-540; D7/502, 550, 554.2, 560; 206/77.1,  
206/557, 587, 823; 211/13.1, 87; D9/682,  
D9/690, 692

See application file for complete search history.

(56) **References Cited**

**U.S. PATENT DOCUMENTS**

D440,801 S \* 4/2001 Gottwald ..... D6/540

D441,238 S \* 5/2001 Gottwald ..... D6/540

D444,976 S \* 7/2001 Hundley ..... D6/540

D451,732 S \* 12/2001 Zetsche ..... D6/540

D453,647 S \* 2/2002 Gottwald ..... D6/540

D574,172 S \* 8/2008 Bickler et al. .... D6/540

\* cited by examiner

*Primary Examiner*—Brian N Vinson

(74) *Attorney, Agent, or Firm*—Abelman, Frayne & Schwab

(57) **CLAIM**

The ornamental design for a soap dish, as shown and described.

**DESCRIPTION**

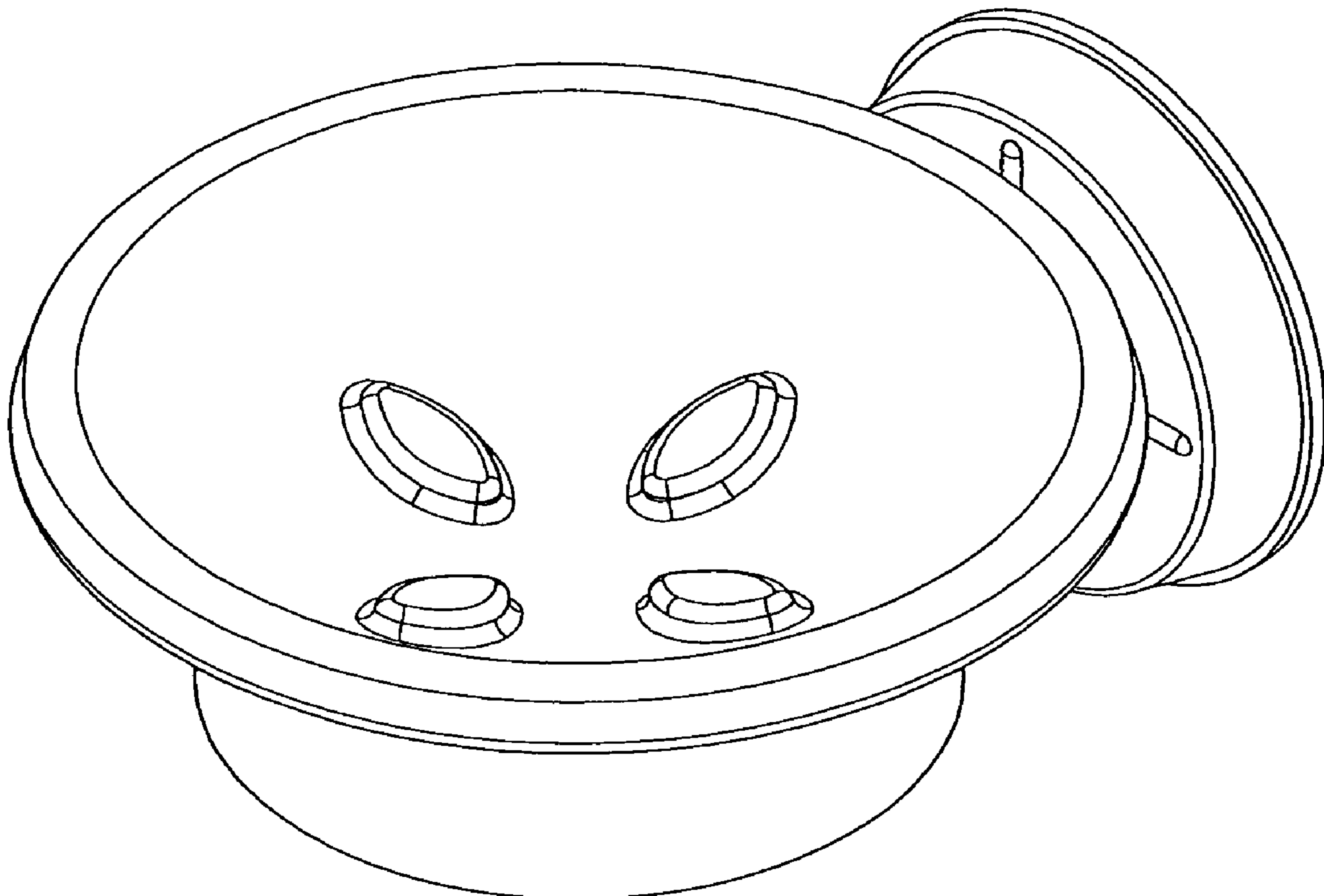
FIG. 1 is a top, front right side perspective view of the soap dish showing the new design;

FIG. 2 is a front elevational view thereof;

FIG. 3 is a top plan view thereof; and,

FIG. 4 is a right side elevational view, the left side view being a mirror image thereof.

**1 Claim, 2 Drawing Sheets**



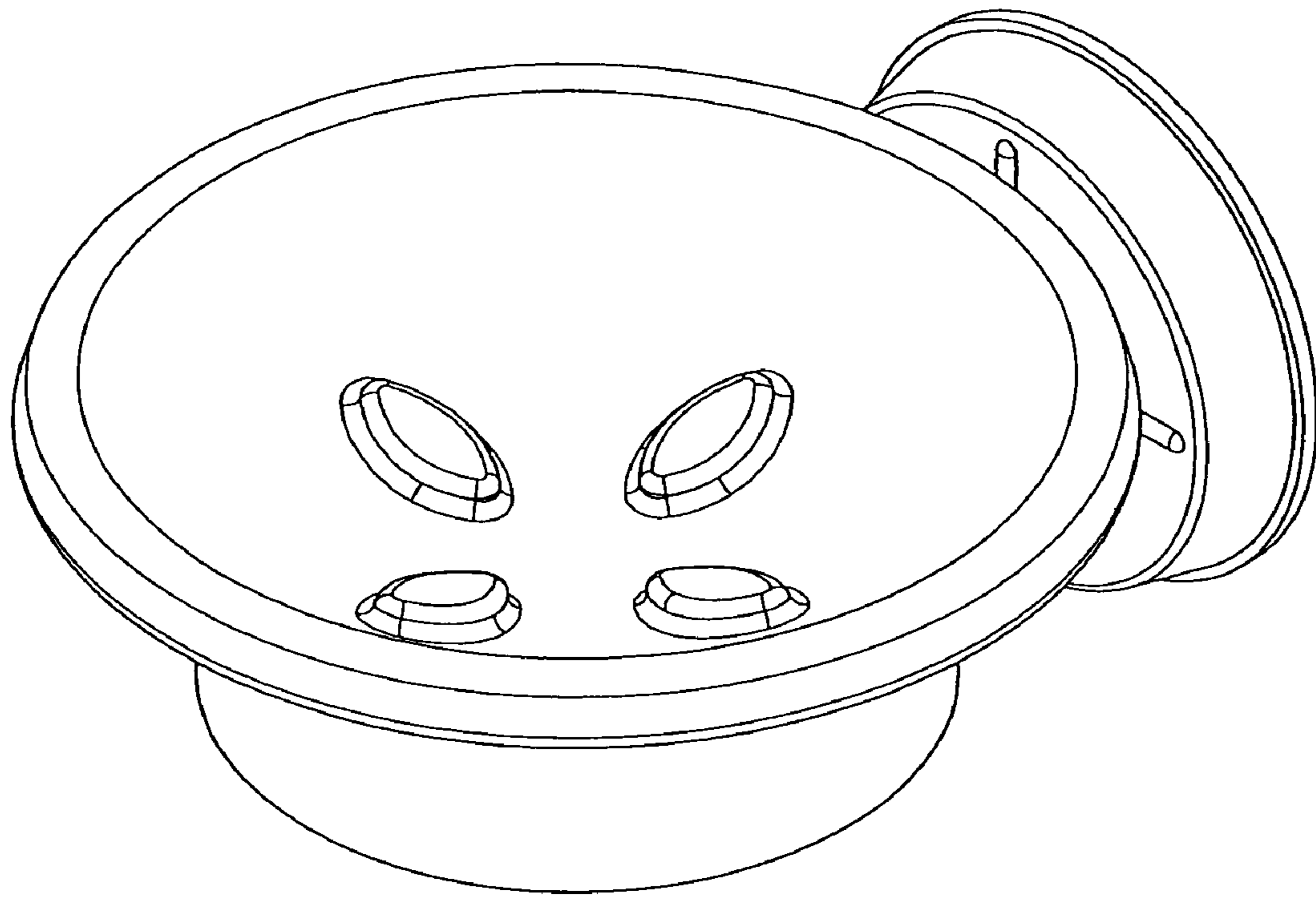


FIG. 1

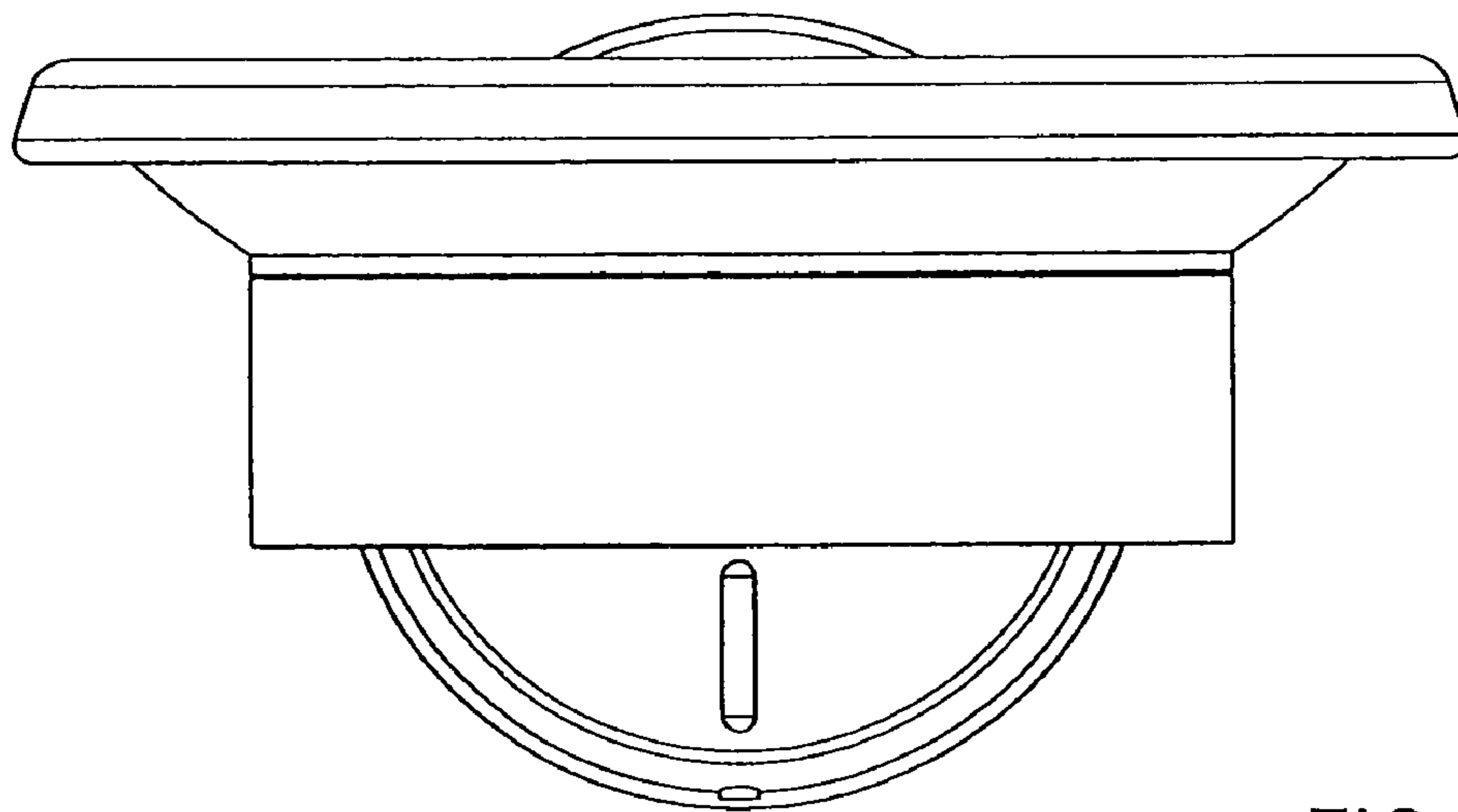


FIG. 2

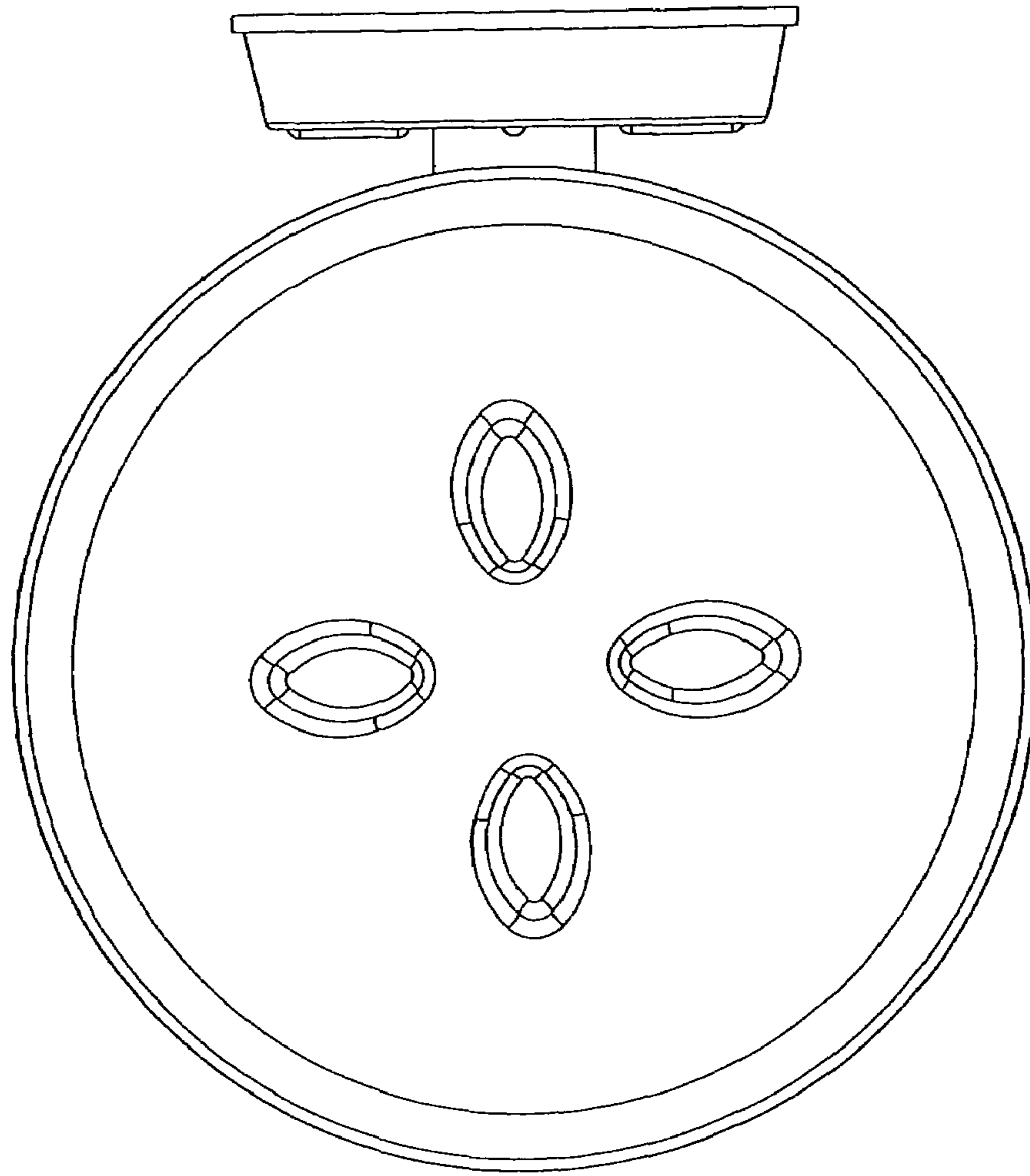


FIG. 3

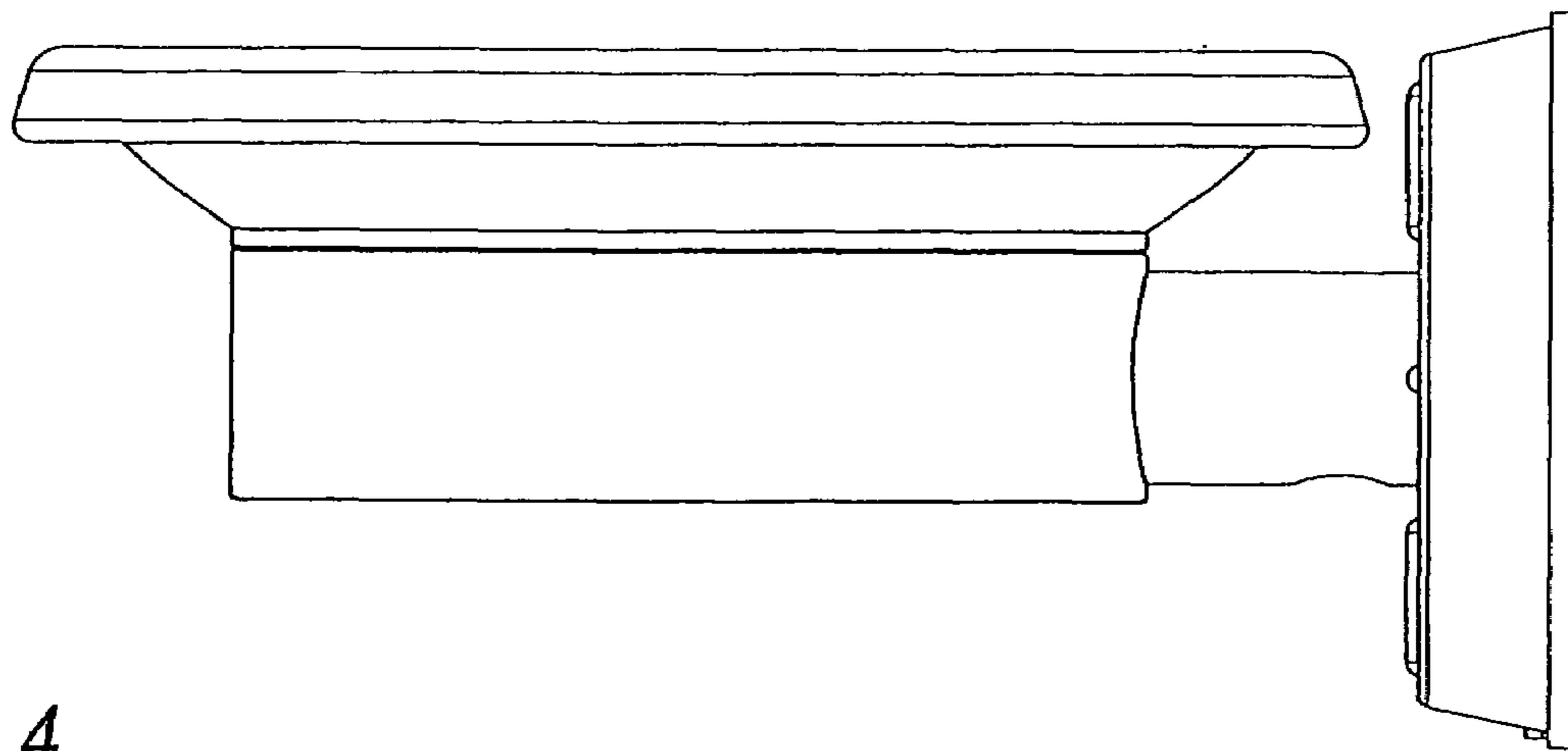


FIG. 4