



US00D605440S

(12) **United States Design Patent**  
**Rickard et al.**

(10) **Patent No.:** **US D605,440 S**  
(45) **Date of Patent:** **\*\* Dec. 8, 2009**

(54) **TOOL CHEST DRAWER OR TRAY HAVING AN INSIDE FOLDING CARRIER HANDLE**

2007/0273255 A1\* 11/2007 Purdy ..... 312/221

\* cited by examiner

(75) Inventors: **Walter D. Rickard**, Fairborn, OH (US);  
**Delbert F. Wilson, III**, Laura, OH (US)

*Primary Examiner*—Philip S Hyder  
*Assistant Examiner*—Roselynn Cody

(73) Assignee: **H. Gerstner & Sons, Inc.**, Dayton, OH (US)

(74) *Attorney, Agent, or Firm*—Jacox, Meckstroth & Jenkins

(\*\*) Term: **14 Years**

(57) **CLAIM**

(21) Appl. No.: **29/312,479**

The ornamental design for a tool chest drawer or tray having an inside folding carrier handle, as shown and described.

(22) Filed: **Oct. 23, 2008**

**DESCRIPTION**

(51) **LOC (9) Cl.** ..... **06-06**

FIG. 1 is a perspective view of a tool chest drawer or tray having an inside folding carrier handle showing our new design, with the carrier handle in its stored position;

(52) **U.S. Cl.** ..... **D6/510**; D3/319; D3/308; D3/309

FIG. 2 is a top view thereof;

(58) **Field of Classification Search** ..... D3/273, D3/296–297, 307–309, 315, 318–319, 903, D3/905; D6/406.3, 510; 206/557; 220/762–763  
See application file for complete search history.

FIG. 3 is a side view thereof, the opposite side view being the same;

(56) **References Cited**

FIG. 4 is an end view thereof, the opposite end view being the same;

**U.S. PATENT DOCUMENTS**

D125,448 S *	2/1941	Kennedy	.....	D3/309
2,427,004 A *	9/1947	Kampf	.....	220/763
2,740,517 A *	4/1956	Evans	.....	206/373
D235,488 S *	6/1975	Swalm	.....	D3/309
3,892,331 A *	7/1975	Beck	.....	220/762
4,458,705 A *	7/1984	Cawood	.....	134/135
D353,049 S *	12/1994	Schmidt	.....	D3/283
5,720,535 A *	2/1998	Mehman	.....	312/219
5,927,839 A *	7/1999	Alfaro	.....	312/301
6,050,660 A *	4/2000	Gurley	.....	312/249.1
6,109,709 A *	8/2000	Holcomb et al.	.....	312/218
6,422,386 B1 *	7/2002	Wiese et al.	.....	206/373
7,017,740 B2 *	3/2006	Itzkovitch	.....	206/372
7,246,718 B2 *	7/2007	Einav et al.	.....	220/764
2002/0125159 A1 *	9/2002	Hann	.....	206/372

FIG. 5 is a perspective view thereof, with the carrier handle in its carrying position;

FIG. 6 is a top view thereof, with the carrier handle in its carrying position;

FIG. 7 is a side view thereof, with the carrier handle in its carrying position, the opposite side view being a mirror image;

FIG. 8 is an end view with the carrier handle in its carrying position, the opposite end view being a mirror image; and,

FIG. 9 is a bottom view thereof.

The tool chest and the pulls on the drawer or tray, both shown in phantom in FIG. 1, illustrate environment and form no part of the claimed design.

**1 Claim, 3 Drawing Sheets**

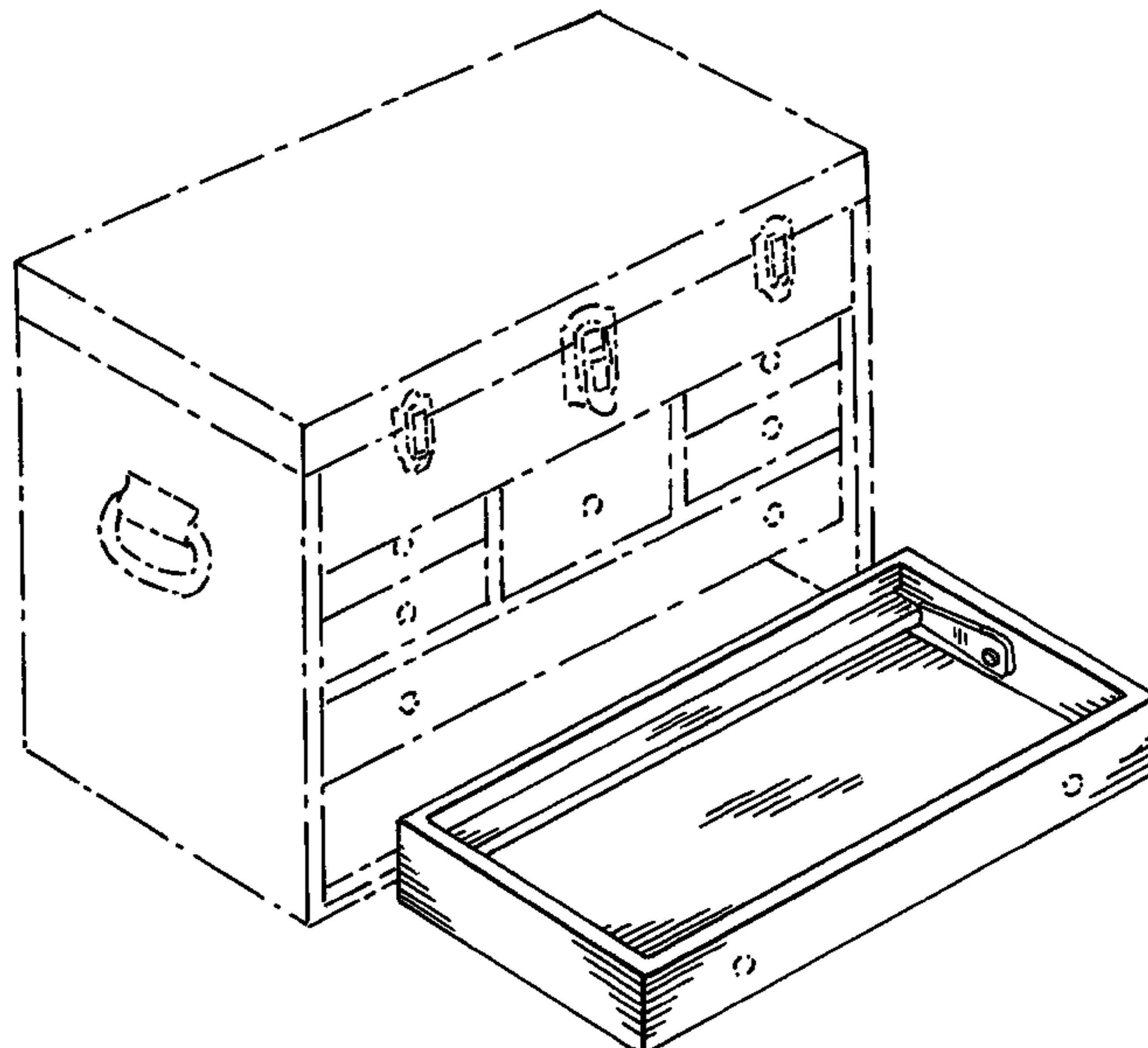


FIG-1

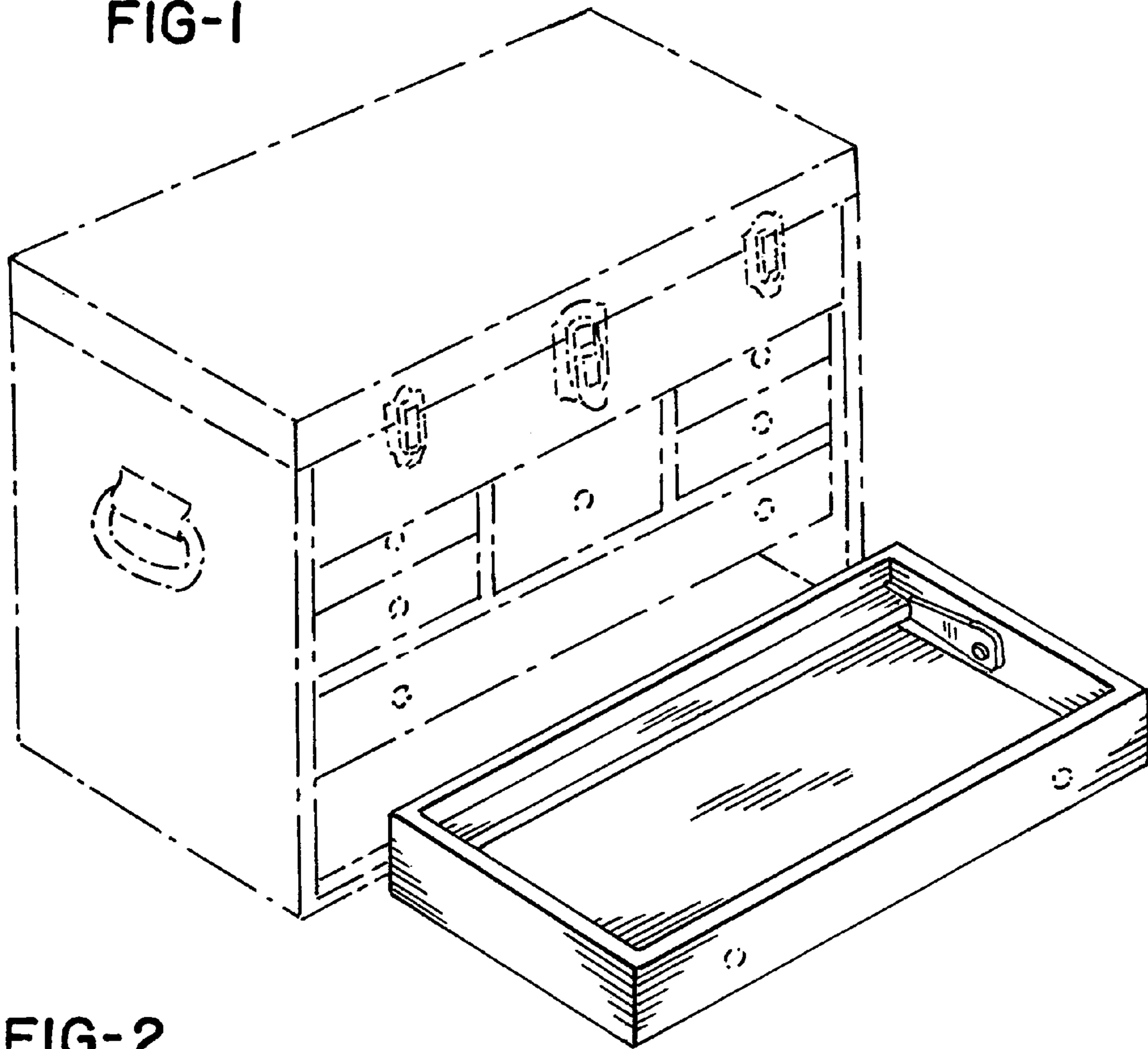


FIG-2

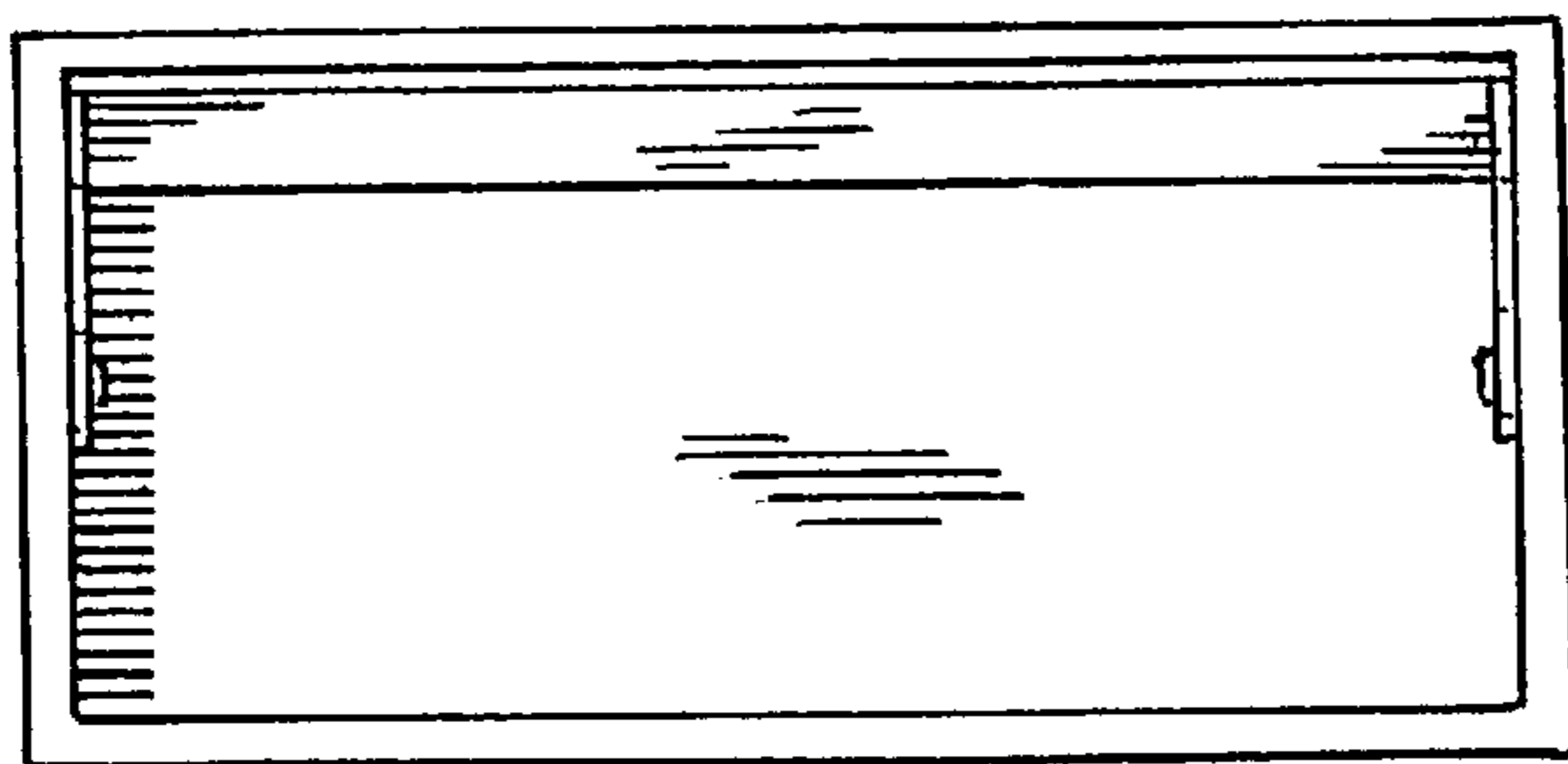


FIG-3



FIG-4



FIG-5

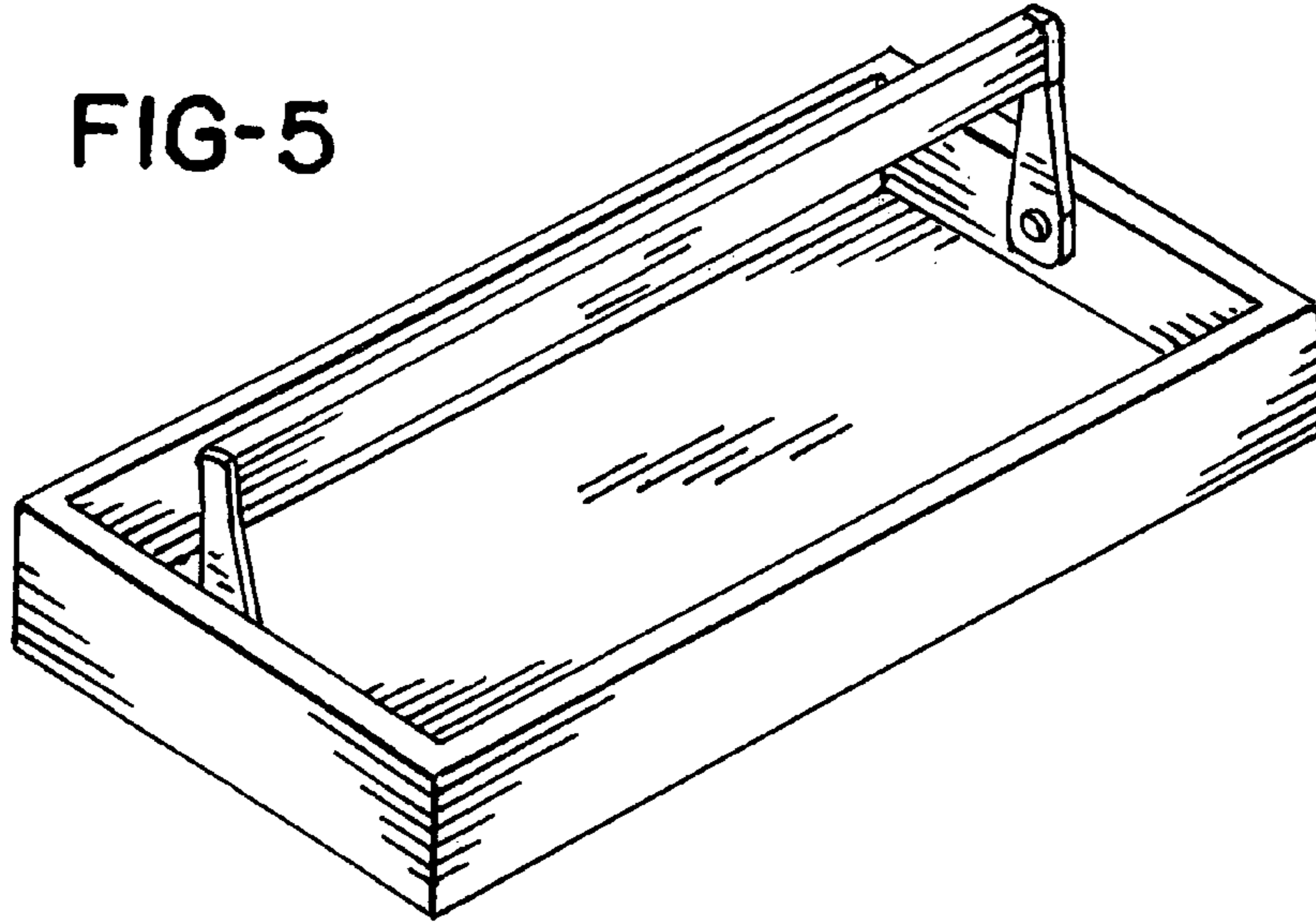


FIG-6

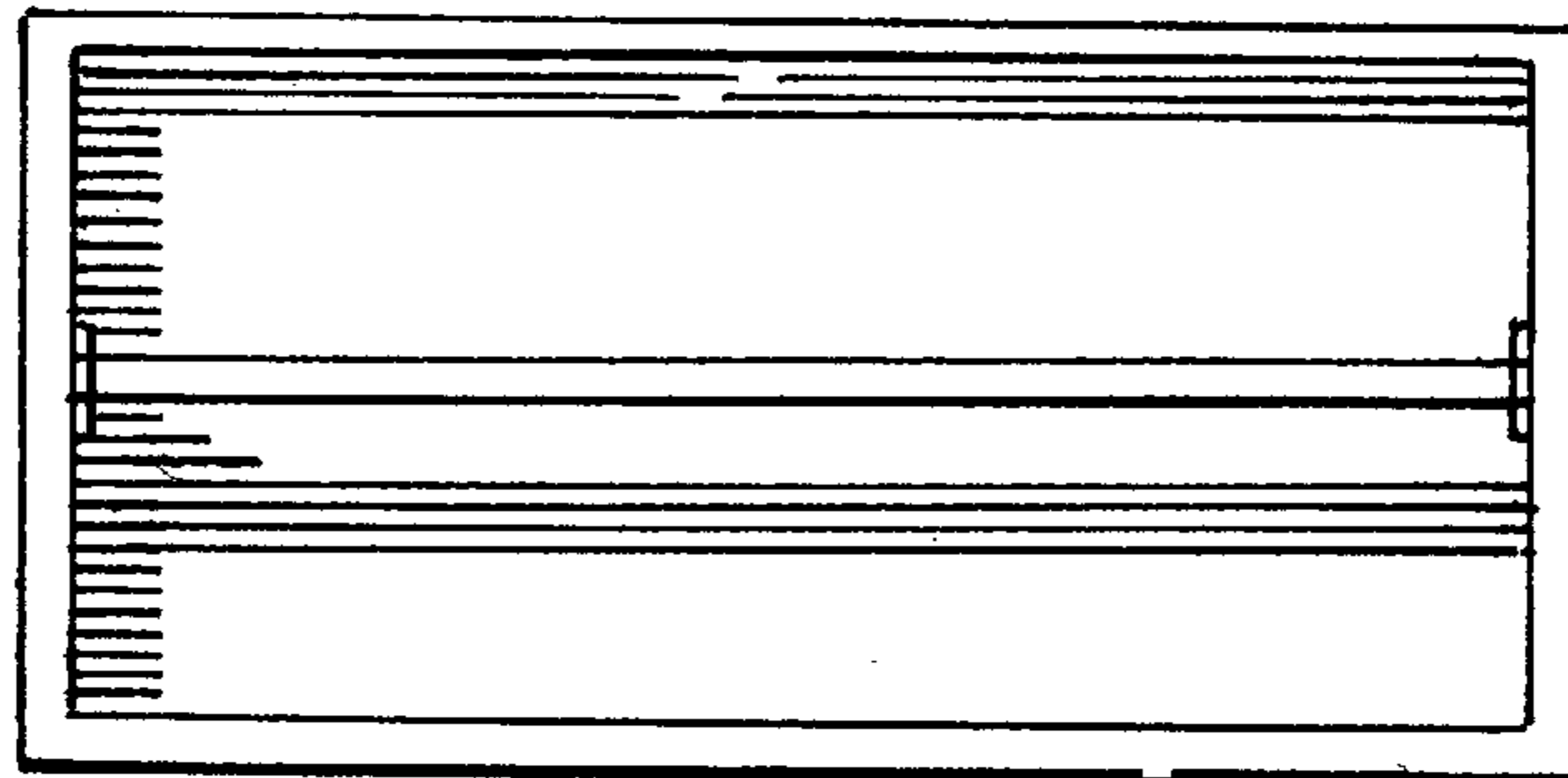


FIG-7

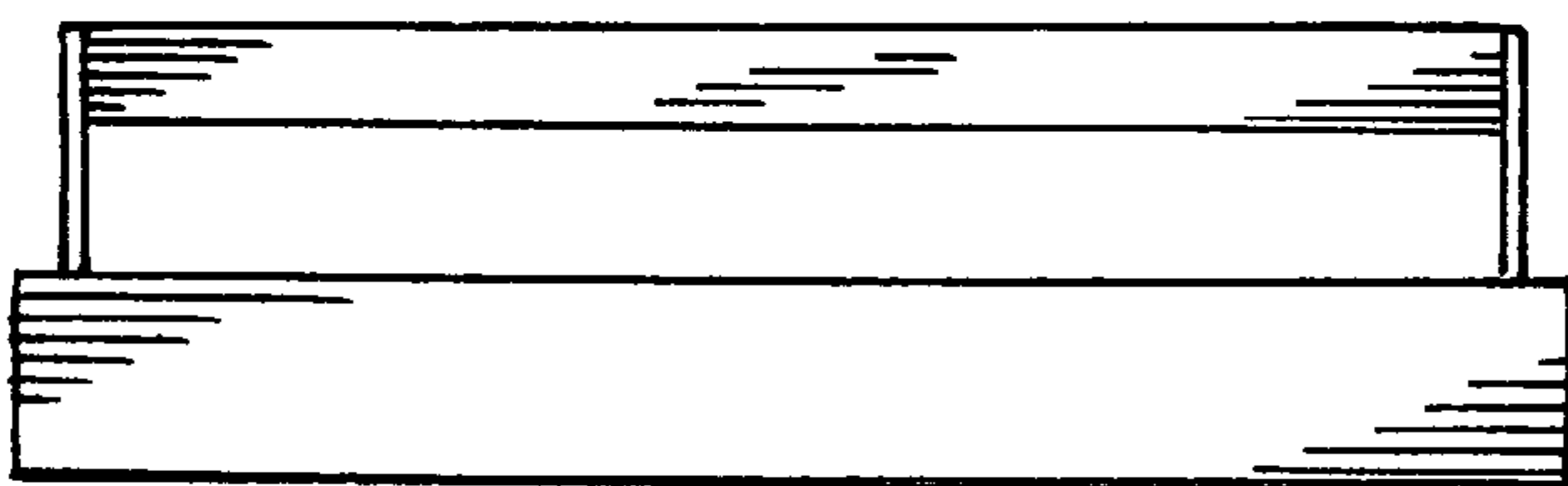
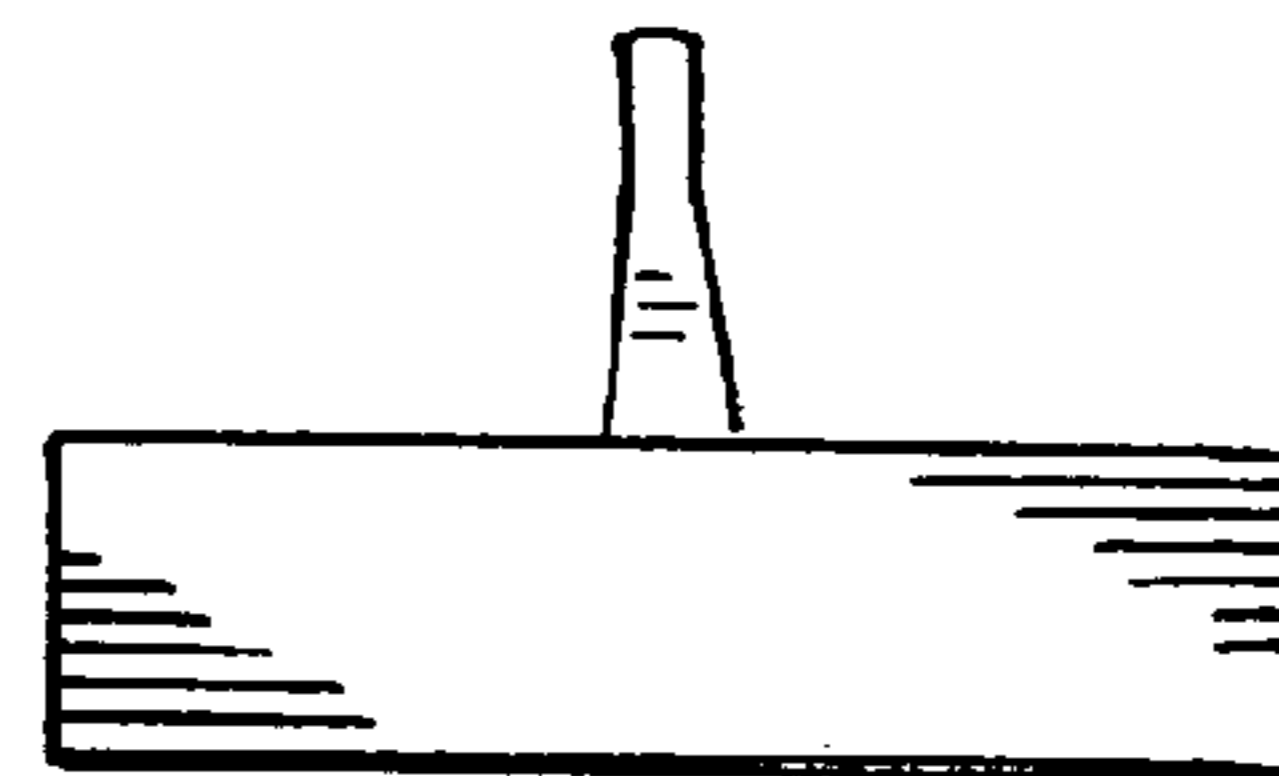


FIG-8



**FIG-9**

