



US00D605439S

(12) **United States Design Patent**
Hand

(10) **Patent No.:** **US D605,439 S**

(45) **Date of Patent:** **** Dec. 8, 2009**

(54) **CHEST**

(75) Inventor: **Jim Hand**, Glen Ellyn, IL (US)

(73) Assignee: **Waterloo Industries, Inc.**, Oak Creek, WI (US)

(**) Term: **14 Years**

(21) Appl. No.: **29/281,664**

(22) Filed: **Jun. 28, 2007**

(51) **LOC (9) Cl.** **06-06**

(52) **U.S. Cl.** **D6/510; D3/297; D3/318; D3/905; D6/445**

(58) **Field of Classification Search** D3/260, D3/272-275, 276, 283, 294-297, 318, 321-322, D3/903, 905; D6/335, 396-397, 400, 432-448, D6/491, 509-510; D14/133; D32/25; D34/12; 206/349, 372-373, 376-379; 312/107, 117, 312/125, 204, 209, 224, 249.1, 249.8, 249.11, 312/249.12, 257.1, 280-282, 308, 332.1, 312/351, 902; 361/695

See application file for complete search history.

(56) **References Cited**

U.S. PATENT DOCUMENTS

D254,883 S *	5/1980	Jorda-Segui	D6/445
D286,714 S *	11/1986	Verholt	D6/446
D554,370 S *	11/2007	Hand	D3/297
D554,864 S *	11/2007	Hand	D3/297
D563,103 S *	3/2008	Hand	D3/297
D563,119 S *	3/2008	Malley et al.	D6/445
D563,120 S *	3/2008	Malley et al.	D6/445
D566,396 S *	4/2008	Hand	D3/297
D568,078 S *	5/2008	Kohagen et al.	D6/510

D568,608 S *	5/2008	Hand	D3/297
D573,792 S *	7/2008	Hand	D3/297
D574,629 S *	8/2008	Kalkwarf	D6/445
D581,696 S *	12/2008	Malley et al.	D6/445
D586,132 S *	2/2009	Liuhong et al.	D6/335
D586,164 S *	2/2009	Hand	D6/510
D586,597 S *	2/2009	Hand	D6/510
D587,013 S *	2/2009	Hand	D3/318
D587,014 S *	2/2009	Hand	D3/318
D589,718 S *	4/2009	Hand	D6/400
2007/0274042 A1 *	11/2007	Jackson et al.	361/695

* cited by examiner

Primary Examiner—Caron Veynar

Assistant Examiner—Ricky Pham

(74) *Attorney, Agent, or Firm*—Calfee, Halter & Griswold LLP

(57) **CLAIM**

The ornamental design for a chest, as shown and described.

DESCRIPTION

FIG. 1 is a perspective view of the new, original, and ornamental design for a chest;

FIG. 2 is a front elevational view of the chest of FIG. 1;

FIG. 3 is a rear elevational view of the chest of FIG. 1;

FIG. 4 is a right side elevational view of the chest of FIG. 1;

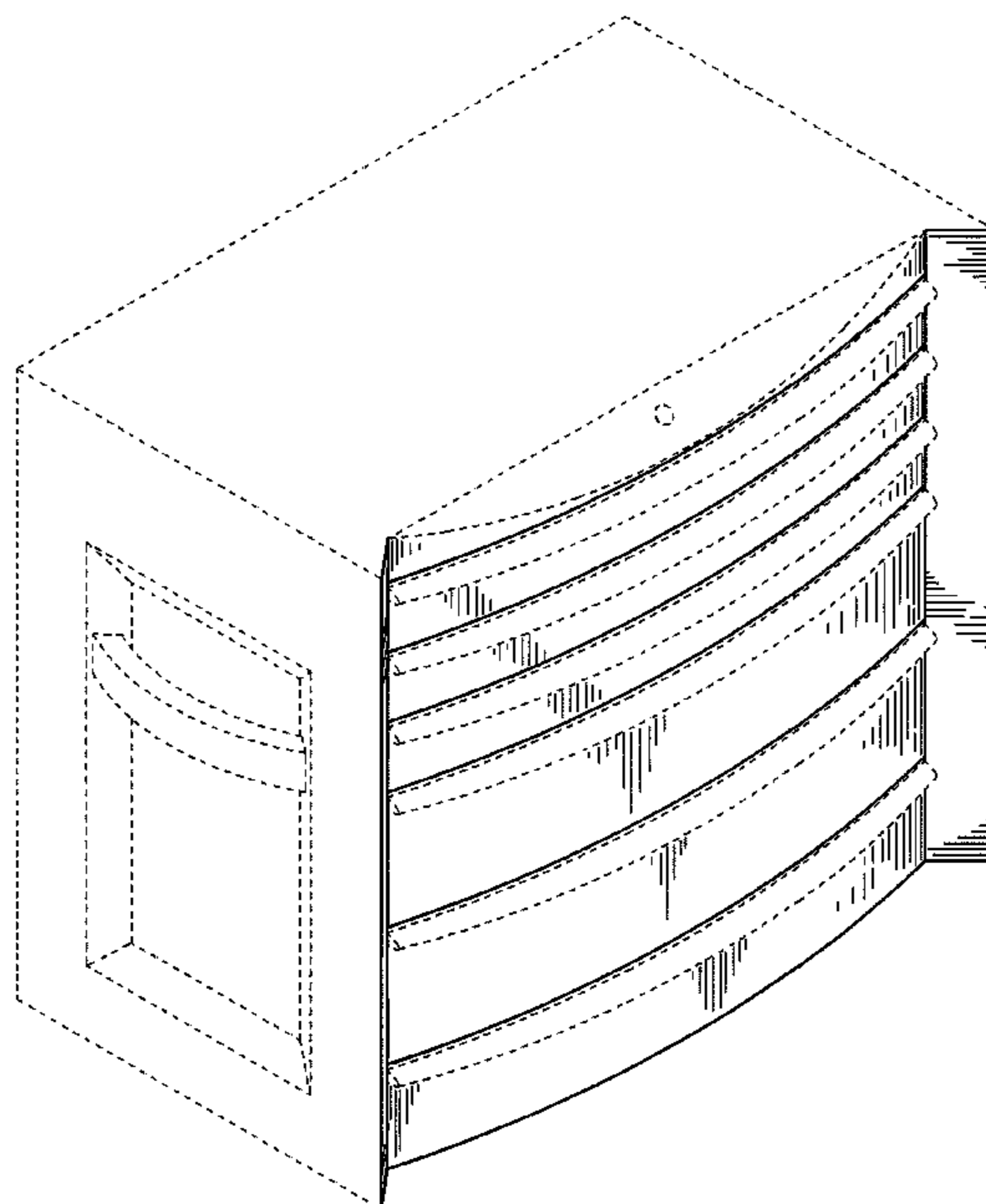
FIG. 5 is a left side elevational view of the chest of FIG. 1;

FIG. 6 is a top plan view of the chest of FIG. 1; and,

FIG. 7 is a bottom plan view of the chest of FIG. 1.

The portions of the Figures shown in broken lines are not part of the claimed design and are for illustration only.

1 Claim, 4 Drawing Sheets



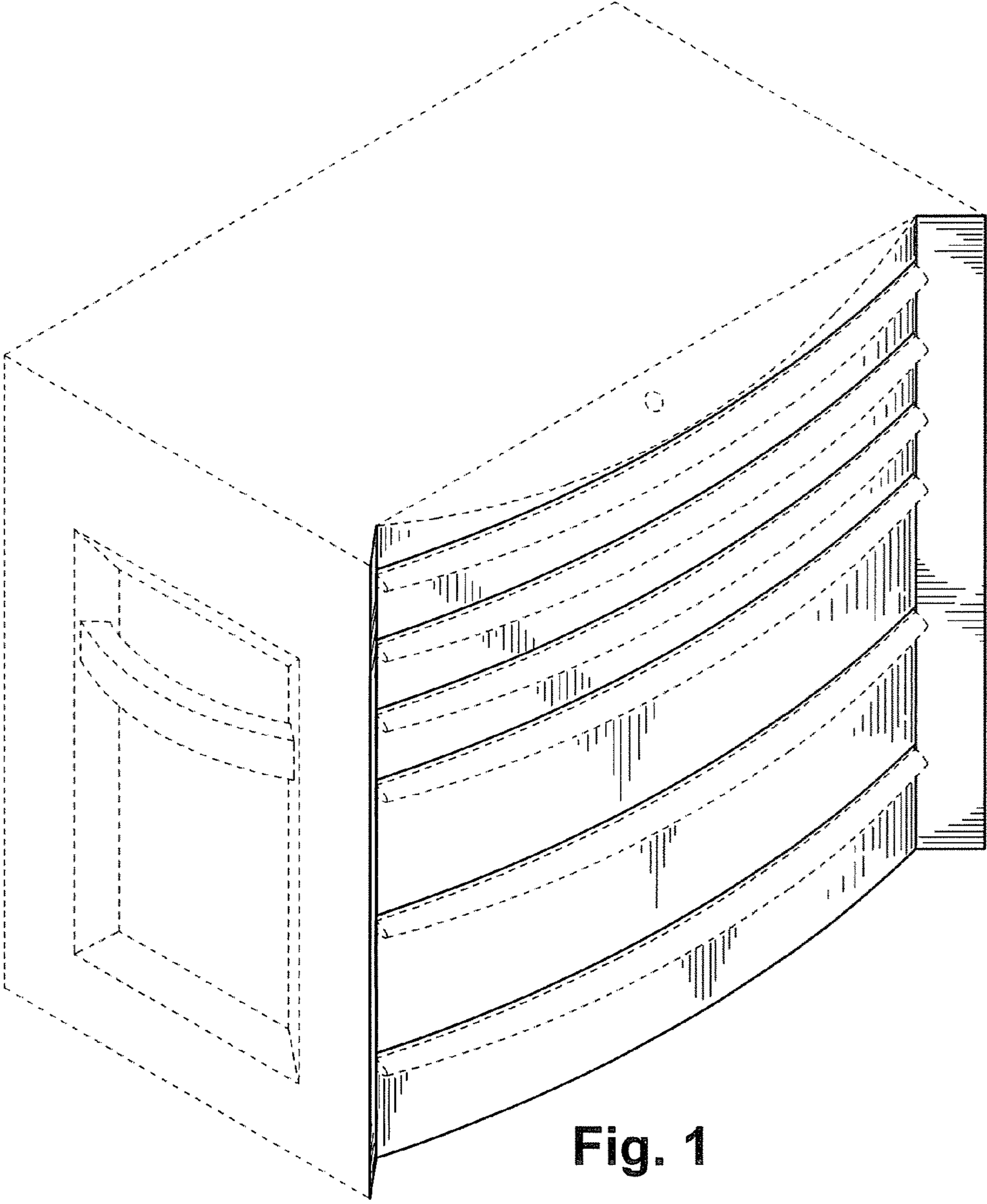


Fig. 1

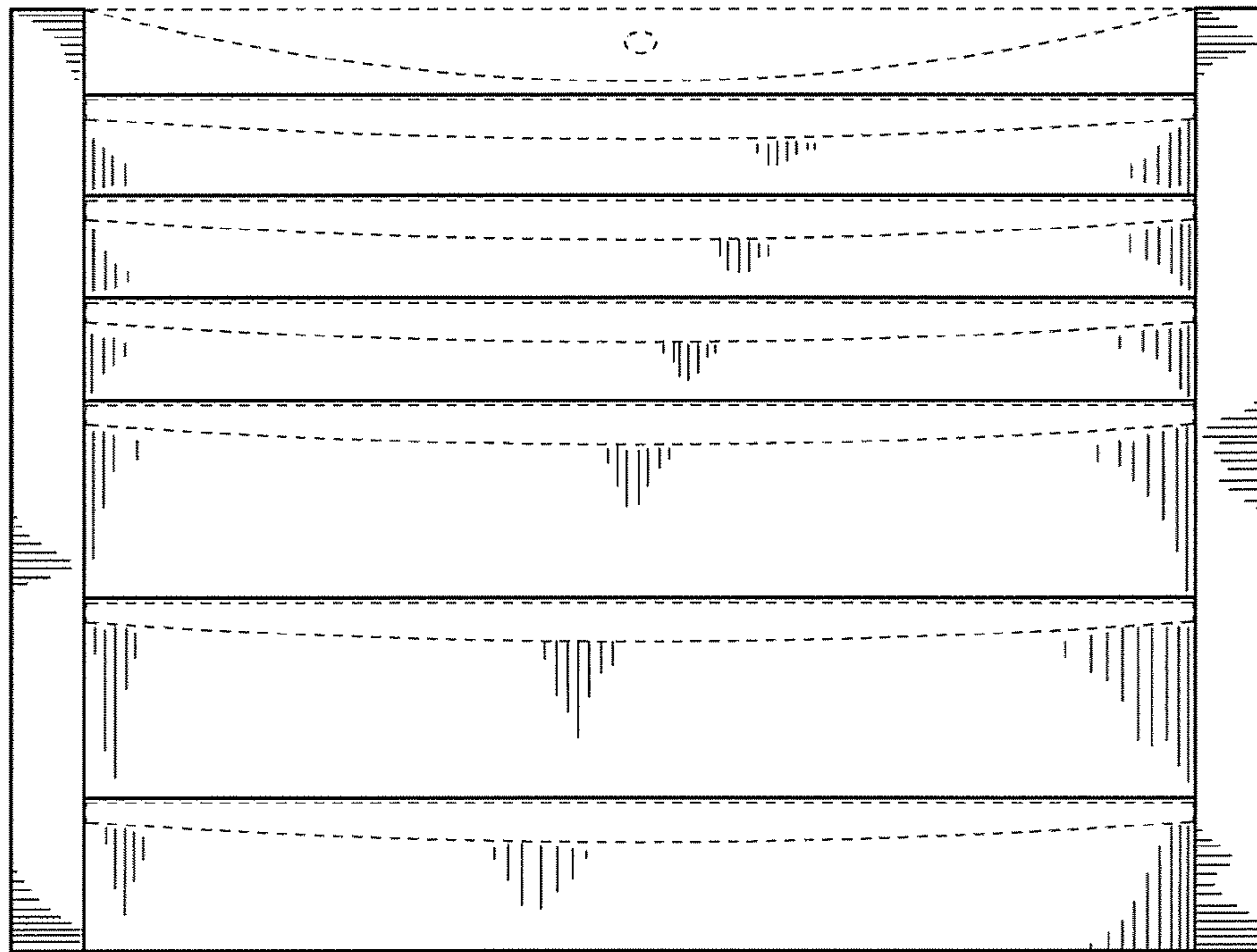


Fig. 2



Fig. 3

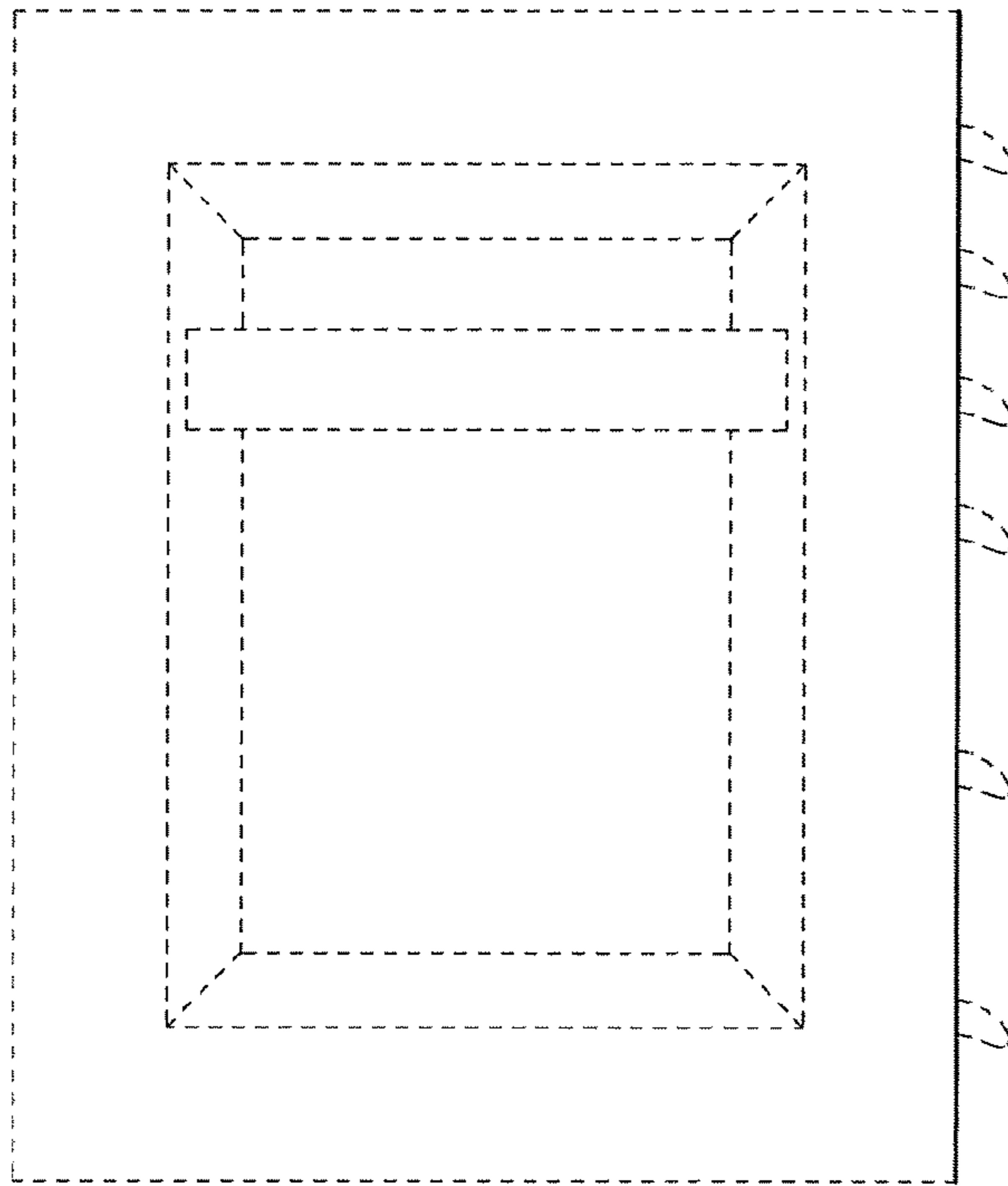


Fig. 4

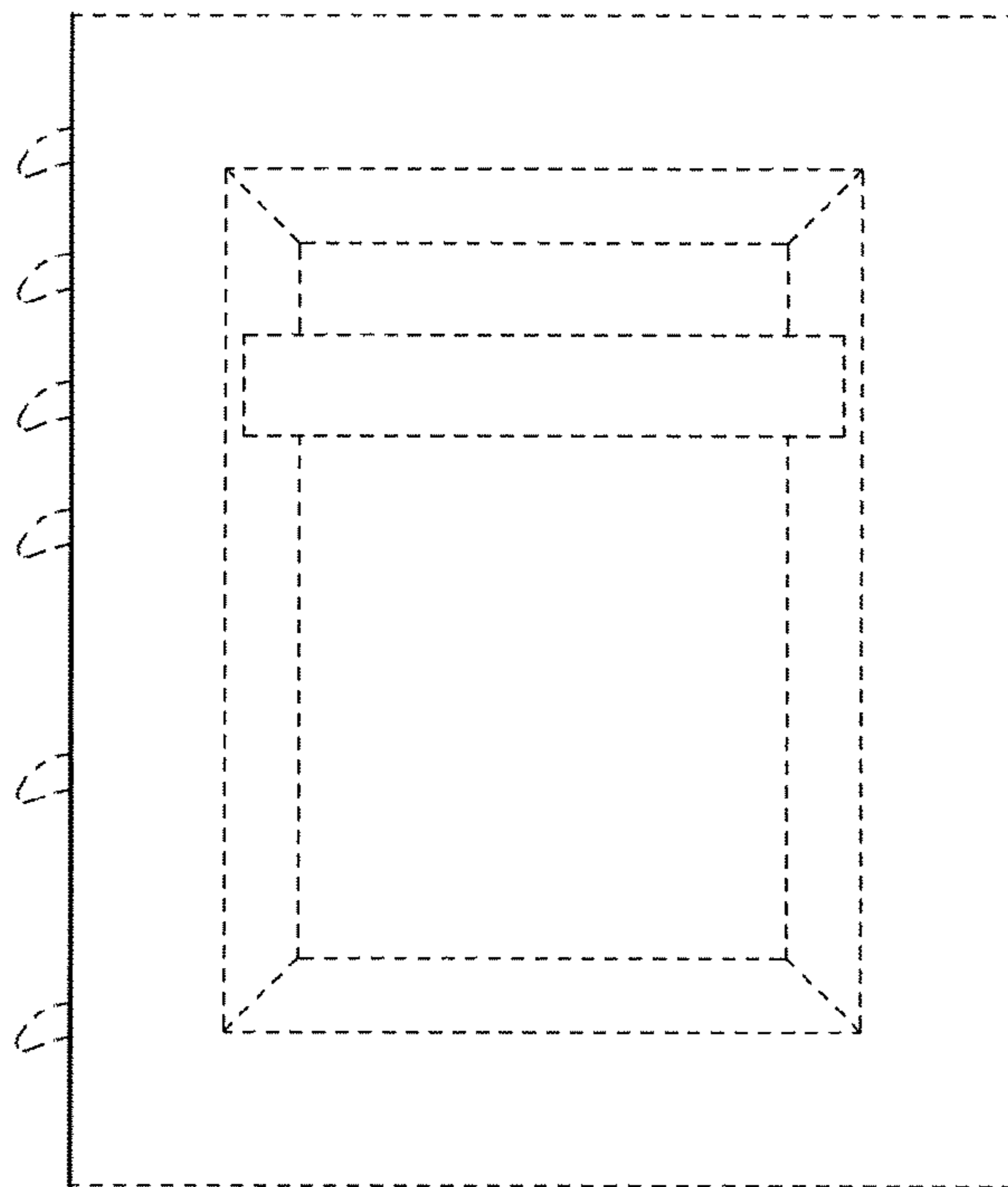


Fig. 5

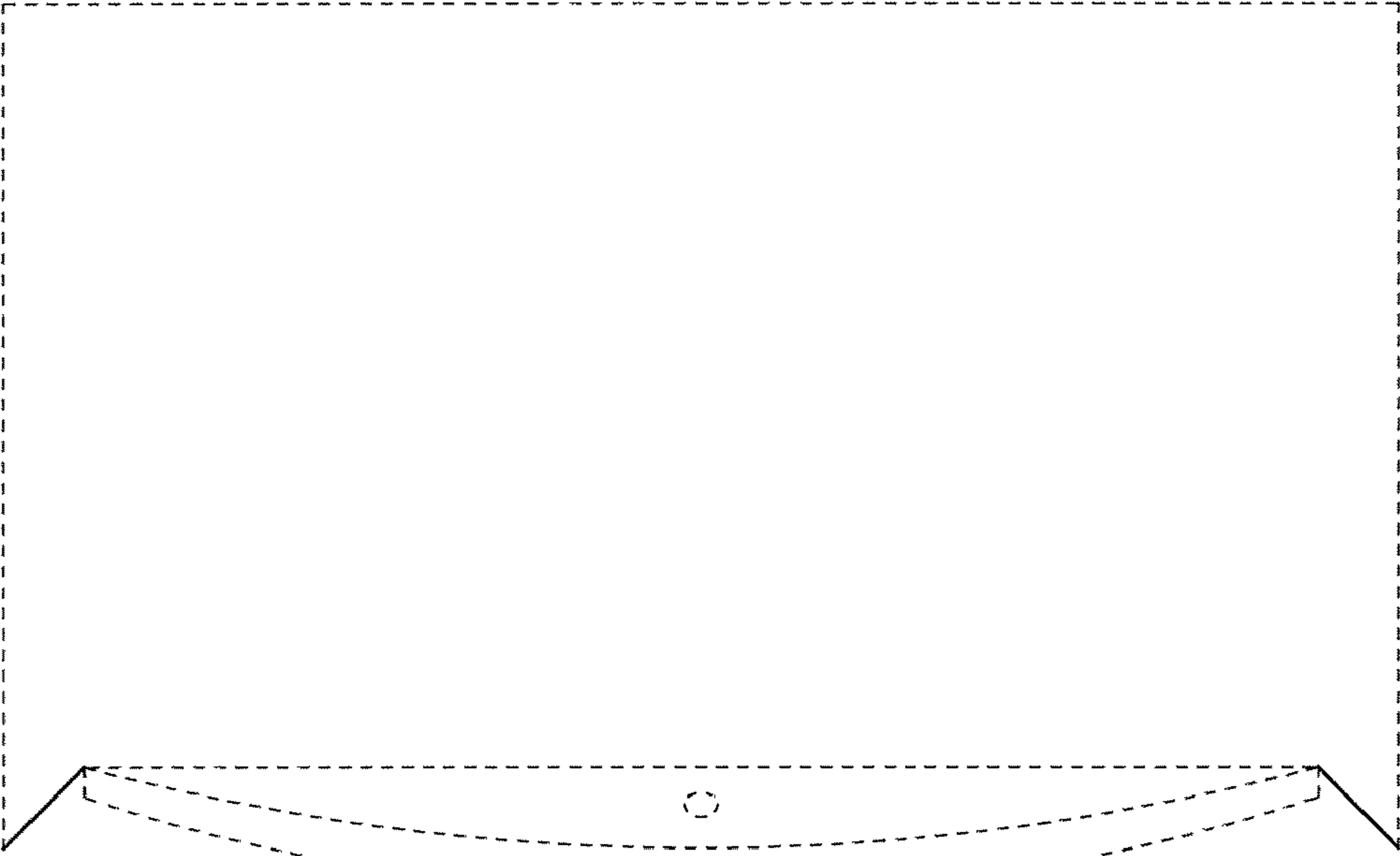


Fig. 6

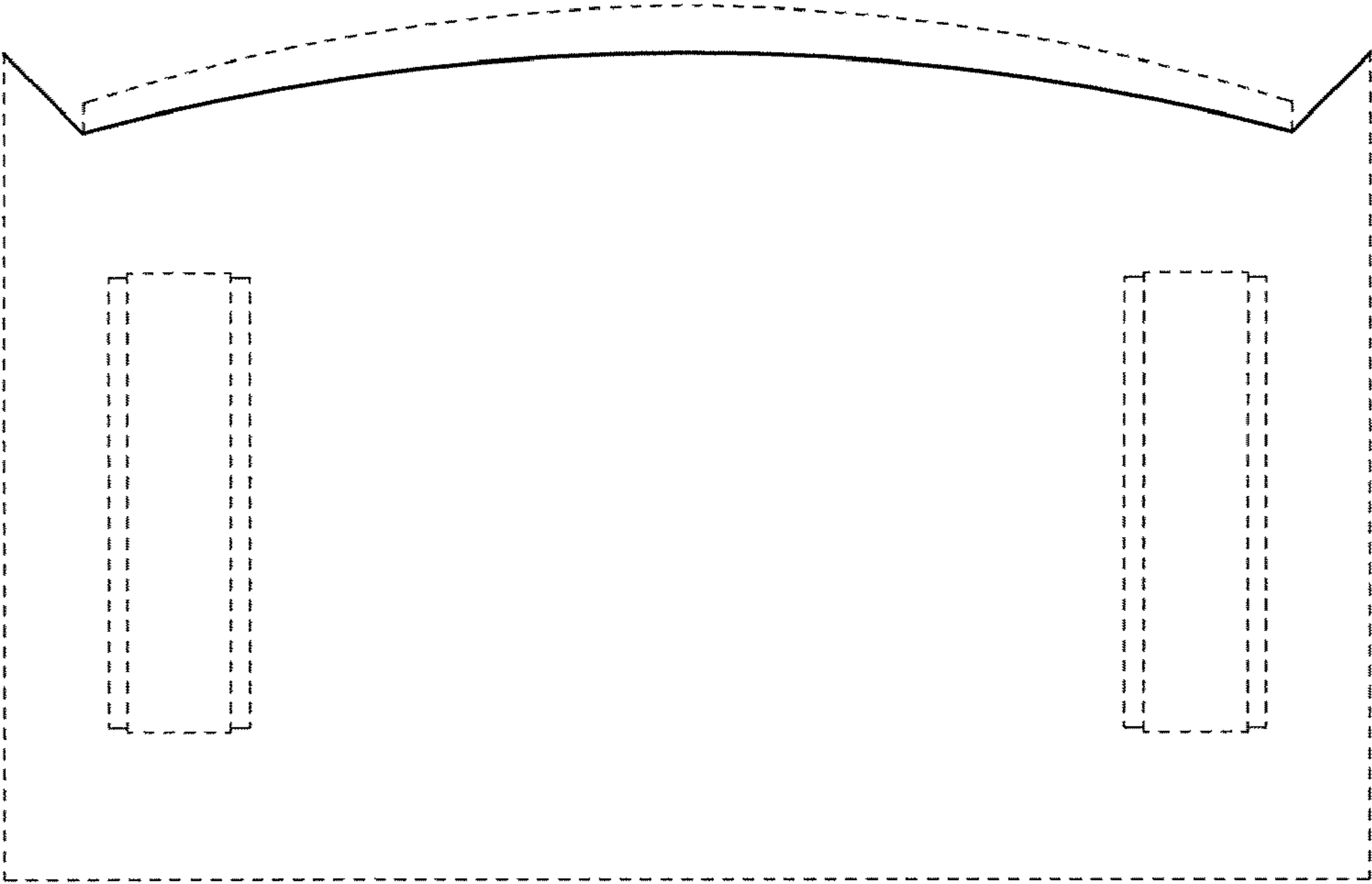


Fig. 7